

Super by 171919 (0/169)

FM 19-1

DEPARTMENT OF THE ARMY FIELD MANUAL

MILITARY POLICE SUPPORT ARMY DIVISIONS AND SEPARATE BRIGADES

PROPERTY OF
QUARTERMASTER LIBRARY
U. S. ARMY QUARTERMASTER SCHOOL
FORT LEE, VA.

RESERVED
FOR HISTORICAL USE ONLY



HEADQUARTERS, DEPARTMENT OF THE ARMY
JULY 1966

FIELD MANUAL }
 No. 19-1 }

HEADQUARTERS
 DEPARTMENT OF THE ARMY
 WASHINGTON, D.C., 21 July 1966

MILITARY POLICE SUPPORT
ARMY DIVISIONS AND SEPARATE BRIGADES

	Paragraphs	Page
CHAPTER 1. INTRODUCTION -----	1-3	3
2. ORGANIZATION -----	4-10	4
3. COMMAND AND STAFF RELATIONSHIPS -----	11-19	9
4. EMPLOYMENT -----	20-35	13
5. DIVISIONAL SUPPORT FUNCTIONS -----	36-47	20
6. NONDIVISIONAL SUPPORT FUNCTIONS -----	48-51	27
7. COMMUNICATIONS -----	52-60	28
8. SUPPORT OF INTERNAL DEFENSE OPERATIONS -----	61-70	34
APPENDIX I. REFERENCES -----		38
II. TYPE DIVISION PROVOST MARSHAL SECTION STANDING OPERATING PROCEDURE -----		41
III. PROVOST MARSHAL STAFF COORDINATION IN FUNCTIONAL AREAS OF MILITARY POLICE SUPPORT -----		53
IV. STANAG 2067 (SOLOG 68), STRAGGLER CONTROL -----		54
INDEX -----		56

CHAPTER 1

INTRODUCTION

1. Purpose

This manual provides guidance for military police operations within the various types of Army divisions and separate brigades. It discusses employment of the division military police company, the military police platoon of a separate brigade, and supporting nondivisional or nonbrigade military police units.

2. Scope

a. This manual describes the organization of and provides specific doctrine on the functions and operations of the military police company of the armored, infantry, mechanized infantry, airborne, or airmobile division, and with appropriate adjustments for organizational differences, the separate brigade. Generally, the doctrine herein is applicable to all five types of divisions; the parts of the text which pertain exclusively to one type division are so specified.

b. The material presented is generally applicable without modification to general, limited, and cold war and to nuclear and non-nuclear situation.

c. Users of this manual are encouraged to submit recommended changes or comments to improve the manual. Comments should be keyed to the specific page, paragraph, and line of the manual in which the change is recommended. Reasons should be provided for each comment to insure understanding and complete evaluation. Comments should be forwarded direct to the Commanding Officer, United States Army Combat Developments Command Military Police Agency, Fort Gordon, Ga. 30905.

3. References

Publications pertaining to subjects within the scope of this manual are listed in appendix I.

CHAPTER 2

ORGANIZATION

4. Mission and Organization

Military police support to a division is provided primarily by the organic division military police company. The military police company is organized functionally and is composed of a provost marshal section, a company headquarters, a security platoon, and a variable number of military police platoons, depending on the type division to which assigned (fig. 1). See TOE 19-27 and TOE 19-67 for details concerning appropriate strength and equipment.

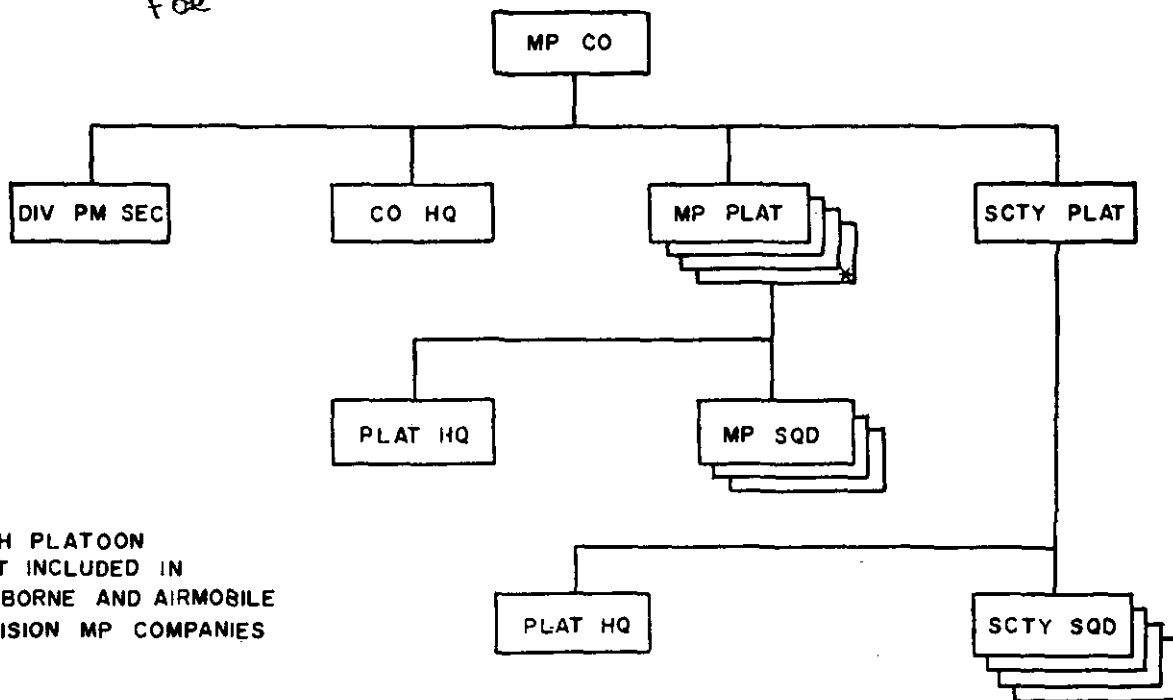
5. Capabilities and Limitations

a. This unit performs the above mission within the division. It has the capability of performing the following functions:

- (1) Operation of a provost marshal section ~~at the~~ division headquarters.

For

- (2) *Performed* Traffic control operations within the division area.
- (3) *Provides* Limited local and internal ground security for the division main command post and for the division tactical command post when required.
- (4) Operation of a division central prisoner of war (PW) collecting point and division forward collecting points in support of committed brigades as required.
- (5) Evacuation of PW's from division forward PW collecting points to the division central PW collecting point.
- (6) Operation of a civilian internee collecting point as required.
- (7) Operation of a division straggler collecting point and special straggler control posts as required.



* 4TH PLATOON
NOT INCLUDED IN
AIRBORNE AND AIRMOBILE
DIVISION MP COMPANIES

Figure 1. Organization of a division military police company.

- (8) Operation of a division temporary confinement facility for United States military prisoners as required.
- (9) Prevention and investigation of crime within the division area.
- (10) Circulation control of individuals in conjunction with other operations.
- (11) Assistance in division rear area security and area damage control missions.
- (12) Escort and security for priority and sensitive ground movements and shipments.
- (13) Escort and security for designated property, facilities, installations, persons, and aerial shipments.
- (14) Enforcement of military laws, orders, and regulations in conjunction with other operations.
- (15) Limited administration and organizational maintenance for the military police company.
- (16) Defense of itself and its installations against hostile ground attack. Members of this unit can engage in effective, coordinated defense of the unit's area or installation.
- (17) Circulation control of local populace within the division area in conjunction with tactical operations, rear area security, and internal defense operations.
- (18) Enforcement of military and civil laws, orders, and regulations in conjunction with internal defense operations and programs pursuant to an agreement with the host country. (Martial law may not be proclaimed in these situations; hence, civil law must be upheld.)
- (19) Assisting in internal security operations in internal defense by engaging in—
 - (a) Normal police activities.
 - (b) Assisting psychological operations (PSYOP) teams.
 - (c) Population control.

- (d) Resources control.
- (e) Intelligence collection.
- (20) Advisory assistance to include training, advising, and assisting host-country military and civil police in internal defense operations.
- (21) Representation in the area security coordination centers (ASCC) and limited local and internal ground security for the ASCC in internal defense operations as required.

b. The division military police company has the following organizational and operational limitations:

- (1) In order to perform all of the functions and responsibilities listed in *a* above, it will often be necessary to rely on backup support from nondivisional military police resources or by augmentation teams from TOE 19–500. Augmentation teams will be required particularly when division and separate brigade military police perform concurrently their normal tactical military police functions and participate in internal defense operations such as internal security operations, police intelligence operations, psychological operations, military civil action programs, and advisory assistance.
- (2) The unit is dependent upon the division headquarters company, a supported unit, other designated unit, or augmentation teams of TOE 29–500 for mess.
- (3) Although the unit requires augmentation of its organic motor transportation in order to attain 100 percent ground mobility in the airborne or airmobile division, it is 100 percent mobile in the armored, infantry, or mechanized infantry division.
- (4) This unit is dependent upon higher headquarters or a supported unit for resupply for all classes of supply.
- (5) The unit depends upon the division administration company for personnel administration.

6. Division Provost Marshal Section

a. The division provost marshal section operates from the division main command post or such other place designated in the division standing operating procedure (SOP). It consists of a provost marshal and a sufficient number of commissioned officers, warrant officers, noncommissioned officers, and enlisted personnel to operate the section. The organic divisional capability for criminal investigation support is also contained in this section. In addition, the section is responsible for establishing and maintaining administrative records, reports, and documentation for military police support operations in the division. A type division provost marshal section SOP is contained in appendix II.

b. The capabilities of the section include the following:

- (1) Staff planning, direction, supervision, and coordination of military police support operations within the division.
- (2) Arranging and coordinating such non-divisional military police support as may be required by the tactical and combat service support situations.
- (3) Prevention and investigation of crime within the division area.
- (4) Military police representation in the division highway traffic headquarters on a continuous basis when established (FM 55-9).
- (5) Coordination with host-country military and civil police in internal defense operations. This applies when the division provost marshal section has coordination responsibility for all police functions within the division area.

c. The capability of the section to provide criminal investigation support is limited and requires continuous arrangement for non-divisional backup support by field army or communications zone (COMMZ) military police criminal investigation units.

7. Company Headquarters

The company headquarters is located at or near the division main command post or such other place designated in the division SOP. It provides the personnel and equipment for the command, operation, administration (except personnel), supply, and maintenance of the company.

8. Military Police Platoon

a. Each of the military police platoons is organized with a platoon headquarters and three military police squads.

b. The military police platoons perform the following functions:

- (1) Establishment of motor patrols or traffic control posts.
- (2) Operation of one PW collecting point.
- (3) Evacuation of PW's from division forward collecting points to the division central collecting point.
- (4) Operation of insurgent detainee collecting point. (In internal defense operation, there may be persons who must be detained pending further investigation.)
- (5) Operation of one of each of the following field installations as required:
 - (a) A division straggler collecting point and special straggler controls posts as required.
 - (b) A temporary confinement facility for U.S. military prisoners.
- (6) Circulation control of individuals and enforcement of military laws, orders, and regulations in connection with other operations.
- (7) Movement security escorts and posts as directed.
- (8) Internal security operations in internal defense to include—
 - (a) Population control (static and mobile checkpoints).
 - (b) Resources control.
 - (c) Control of civil disturbances.
 - (d) Cordon and search operations.
 - (e) Raids and patrols.

9. Security Platoon

The military police security platoon is organized with a platoon headquarters and four security squads.

a. The security platoon has the following capabilities:

- (1) Limited local and internal ground security for the division main command post and for the division tactical command post when required.
- (2) Establishment and operation of security posts on a continuing basis when the four security squads are involved in no other duties.

(3) Movement security escorts for the division commander or other designated personages.

b. The platoon is not capable of providing full 24-hour perimeter security for the division main command post in all situations and requires augmentation (temporary manning of perimeter security posts) particularly during the hours of darkness. In certain situations, it may be necessary to attach other units to augment the perimeter security force for the main command post. When the platoon is required to provide security for the division tactical command post in addition to the main command post, the capability of protecting the main

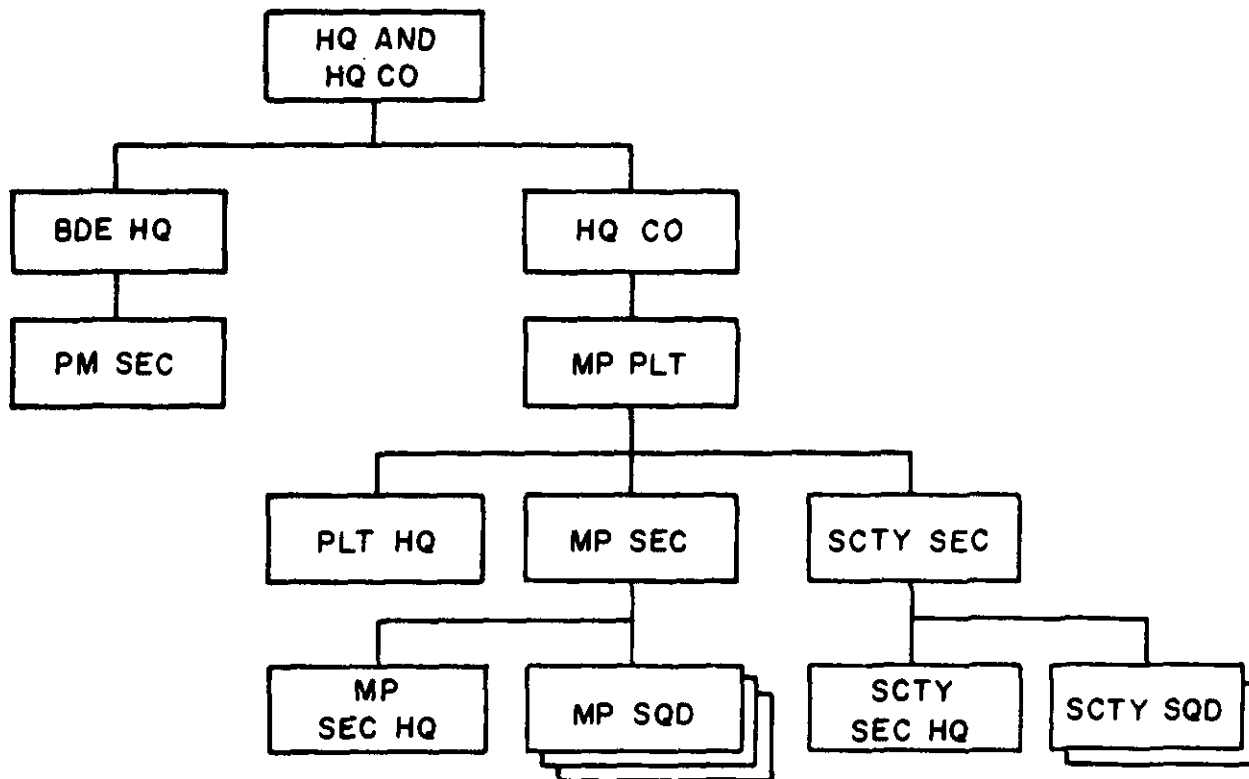


Figure 2. Type organization of a separate brigade military police element.

command post is correspondingly reduced and may necessitate at least partial assumption of the perimeter security mission by other elements of the division. Arrangements for augmentation of the perimeter security force are made by the division provost marshal after coordination with the division headquarters commandant and G3.

10. Within Separate Brigades

a. Military police organizational support within separate brigades is provided by a provost marshal section and a military police platoon which are organic to the brigade headquarters (fig. 2). The number of personnel and the items of equipment in the element will vary

depending on the kind of separate brigade that is being supported, e.g., armored, infantry, mechanized infantry, or airborne. The military police platoon is functionally organized to provide the necessary support. See TOEs 7-102, 17-102, 37-102, and 57-102 for further details.

b. When the separate brigade is conducting internal defense operations, the requirement for military police support is increased beyond the capability of a single platoon. Depending on the mission and situation, it is probable that, at a minimum, one military police company augmented by teams from TOE 19-500 will be required to support separate brigade operations.

CHAPTER 3

COMMAND AND STAFF RELATIONSHIPS

11. General

The division military police company is directly subordinate to division headquarters. It is functionally organized to provide military police support within the division area.

12. Division Provost Marshal

a. The division provost marshal exercises operational control in the name of the division commander over the division military police company and attached military police units. He directs, supervises, and inspects military police in the performance of their duties. He advises the division commander and staff on military police activities by submitting plans and recommendations on—

- (1) Maintenance of order.
- (2) Enforcement of laws, orders, and regulations.
- (3) Prevention and investigation of crime and offenses.
- (4) Confinement of military prisoners.
- (5) Limited local and internal ground security for the division main command post and for the division tactical command post when required.
- (6) Apprehension of violators of military law.
- (7) Handling of prisoners of war and civilian internees.
- (8) Employment of unit resources and facilities assigned or attached.
- (9) Maintenance of a high level of discipline.
- (10) Coordination of activities with other law enforcement agencies of the armed forces and civil governments within his area of responsibility.

- (11) Straggler control.
- (12) Traffic control.
- (13) Physical security.
- (14) Training in military police technical subjects.

b. In the accomplishment of his responsibilities, the division provost marshal must maintain close coordination with other members of the division staff to insure that military police support plans and operations are responsive, legal, flexible, and fully integrated into the overall operational plans and activities of the division. Thus, on matters concerning the support of operations and the provision of traffic control support for tactical and combat support ground movements, he works closely with the G3. With respect to traffic control support for logistical and administrative ground movements, he coordinates with the G4. On prisoner of war and civilian internee matters, he coordinates with the G1, the G2, and the G5 as appropriate. A graphic portrayal of the coordination requirements of the provost marshal in the various functional areas of military police support is contained in appendix III.

13. Assistant Division Provost Marshal

The assistant division provost marshal assists the provost marshal in the accomplishment of his special staff responsibilities by directly supervising the performance of subordinates in the division provost marshal section. He inspects and evaluates their activities to promote efficiency and uniformity in military police operations and compliance with prescribed orders, doctrine, and policy. He also assists in planning for military police and military police-type training and activities including advisory assistance, internal security, police intelligence, military civic action, and

psychological operations programs in internal defense. In addition, he supervises the collection, compilation, and presentation of statistics. Normally, he is the provost marshal representative for the division highway traffic headquarters. In the absence of the provost marshal he assumes the functions of that office.

14. Criminal Investigator and Assistant Criminal Investigator

The primary duty of military police accredited investigators is to conduct investigations of alleged criminal offenses within the provost marshal's area of responsibility as specified in AR 195-10. The conduct of an investigation includes the responsibility for the preparation of a report of investigation, including all information relevant to the proof or disproof of an alleged crime or offense. The investigators also conduct crime prevention and physical security surveys to evaluate the effectiveness of preventive and security measures. In addition, the provost marshal may assign them responsibility for the security and escort of very important persons. They coordinate with appropriate military and civil agencies on matters involving jurisdictional authority, exchange of information, and planning for joint investigative efforts. Criminal investigators may also be the control point for police intelligence action within the provost marshal section.

15. Company Commander

The company commander commands and administers the company and attached U.S. personnel and augmentation units. When host-country personnel are attached, he may also be required to administer and supervise them. He directs the administration, transportation, supply, and security of the unit and the establishment of an effective military police communications net. He coordinates company administration, supply, equipment, employment and maintenance, and personnel management with appropriate divisional agencies.

16. Escort Guard Officer

In those division military police companies in which an escort guard officer is assigned, he

assists the provost marshal in his responsibilities for the evacuation, guarding, proper treatment, and temporary administration of the prisoners of war, civilian internees, and military prisoners taken by the command. He coordinates the activities of military policemen at the division PW/civilian internee collecting points. He also coordinates with responsible division staff and field army military police elements for the efficient and expeditious evacuation of PW's/civilian internees. The escort guard officer may be considered as the provost marshal representative in the alternate command post. He may also assist the provost marshal to establish proper liaison with adjacent U.S. or host-country armed forces and civil police agencies. As a military police supervisor, he is responsible for the instruction and training of the military police company and host-country military and civil police in the principles and techniques of PW/civilian internee operations.

17. Military Police Platoon Leader

The military police platoon leader directs and supervises the military police platoon in the execution of missions assigned by the company commander. He directs the employment, technical operation, administration, training, and security of the platoon and any attached U.S. and host-country military police, individuals, or units. He is responsible for the performance of duty by military policemen in the platoon and coordinates their activities in such functional areas as traffic control; physical security; the establishment, support, evacuation, and displacement of a PW/civilian internee collecting point; the operation of straggler collecting points; circulation control; enforcement of rules and regulations; internal security and advisory assistance when training host-country military and civil police in internal defense operations; rear area security; area damage control; and escort of VIP's and special weapons. When the military police platoon operates in direct support of a brigade, the platoon leader directs military police activities within the brigade area of responsibility as required by the brigade commander and in independent operations may act as the brigade provost marshal.

18. Security Platoon Leader

The security platoon leader directs and supervises the security platoon in the execution of its assigned mission of providing limited local and internal ground security for the division main command post and for the division tactical command post, when required, in conjunction with other elements of the division. In internal defense operations, he coordinates with host-country military and civil police on providing limited ground security for the ASCC. He assists the provost marshal in the coordination of the command post internal security, the disposition and management of security platoon resources, and the supervision and inspection of military police activities for maximum effectiveness. He supervises the administration, operation, and training of this platoon.

19. Command and Control of Subordinate Elements

a. The type and degree of control necessary to maintain effective support vary with the

mission. The missions which may be assigned to the platoons or elements of the division military police company are varied depending on the unit being supported and its mission. However, these elements are best employed when assigned a support mission on an area basis. This means that military police provide support to the force as a whole rather than to a specific unit. In such instances, command control is retained by the division military police company, which establishes priorities for support.

b. In certain situations, elements of the military police company may be attached to a maneuver element. Attachment of military police elements should be made only when the parent unit is unable to provide logistical and administrative support due to distances involved or speed of the operation. Attachment provides the gaining (supported) commander the maximum control possible. He assigns the mission to the attached unit and is also responsible for its logistical and administrative functions.

CHAPTER 4

EMPLOYMENT

20. General

a. Military police support to a division is provided primarily by the organic military police company employed, when the tactical situation permits, under centralized control of the division provost marshal.

b. The division military police company is an organic subordinate unit of the division to which it is assigned. It is organized functionally to provide division level military police support in both the division and brigade areas. In internal defense, it conducts internal security operations, police intelligence, and psychological operations in conjunction with host-country military and civil police. Command of the company is exercised by the company commander under the operational control of and in accordance with instructions furnished by the division provost marshal.

c. The division military police company can provide support to two committed combat brigades while maintaining support operations on an area basis in the division rear area. Augmentation of the company is necessary when three combat brigades are committed. Similarly, the company can provide tailored military police elements for independently employed brigades, but requires augmentation when employment is of extended duration.

d. The division military police company may provide advisory personnel for the training and advising of host-country military and civil police.

21. Planning Considerations

The following factors and considerations have a direct bearing on the provision of adequate military police support and should be borne in mind in the planning for such support:

a. Primary emphasis is placed on the support of tactical operations and on support of internal security operations in internal defense.

b. Maximum flexibility and responsiveness are possible when the entire company is employed under centralized control.

c. The security platoon of the division military police company is employed to provide limited local and internal ground security for the division main command post and for the division tactical command post when required.

d. The military police platoon is basically designed to support a combat brigade. However, the military police element operating in support of a brigade may be tailored as required, based upon the mission, enemy, terrain, and the troops available. The basic military police element that is tailored to perform a mission within the division is the platoon. It is tailored by attaching or detaching squads to a given platoon for a specific mission or duration of time.

e. The organic division military police company can operate a division prisoner of war collecting point and a temporary collecting point in support of no more than two committed brigades without reducing its other support functions.

f. Psychological operations teams may support military police operations within the division area and should be considered during planning. Leaflets, poster, loudspeakers, and radio broadcasts can be used to inform the civilian population of the rules and regulations pertaining to curfews, blackouts, travel restrictions, and identification documents. Plans and programs of this type are coordinated with civil affairs units.

22. Organization for Combat

a. The allocation and employment of elements of the division military police company are dictated by the mission, situation, and time-distance factors. In addition, special considerations in internal defense operations include strength, quality, and state of training of host-country military and civil police and the attitude of the population.

b. Military police perform their missions, activities, and functions on an area basis. It is normal to have a tailored military police element operating in the area of, or in support of, each committed brigade and to have other tailored military police elements operating within the division.

c. A type deployment of military police elements in support of division operations involving two committed brigades separated from the division rear area is shown in figure 3.

23. Division Rear Area Operations

Employed under the operational control of the division provost marshal, the division military police company, less those elements supporting committed brigades, provides military police support on an area basis throughout the division rear area. The particular elements of the company involved vary depending upon the tactical dispositions of the combat elements of the division. Normally, however, the elements concerned are the division provost marshal section, one military police platoon, and the security platoon.

a. The division provost marshal plans, coordinates, directs, and supervises military police support operations throughout the division. Within the division rear areas, military police support operations are primarily carried out by the military police company commander, who directly supervises the activities of and assigns component missions to the security platoon and the retained military police platoon.

b. Military police support within the division rear area is provided to the division headquarters, the division support command, the division reserve, and any other units or organizations located there.

c. Military police support for the division headquarters includes limited local and internal ground security for the division main command post and for the division tactical command post when required, traffic control within and in the vicinity of the headquarters, circulation control of individuals, prevention and investigation of crime, law enforcement, and operations of such supporting field installations as are required.

d. One military police platoon is employed to provide support on an area basis within the division rear area. This platoon evacuates selected enemy PW's from the division forward PW collecting points in the brigade area to the division rear area and operates the following field installations when required:

- (1) A central PW collecting point.
- (2) A civilian internee collecting point.
- (3) A straggler collecting point and special straggler control posts when required.
- (4) A temporary confinement facility for U.S. military prisoners.

e. The security platoon provides limited local and internal ground security for the division main command post and for the division tactical command post when required. Special attention is given to security for such key portions of the command post as the tactical operations center (TOC), the division war room, the signal center, and the division commander's quarters. The security platoon also operates the dismount point at the entrance to the command post. Schematic disposition of the security platoon in securing a type division main command post is depicted in figure 4. This illustration is not intended to show the exact physical location of persons, installations, or facilities within the division main command post. Care should be taken to conceal locations of the heliport, dismount point, communications antennas, and other activities that may reveal the command post to enemy intelligence personnel. For details on command post composition, see FM 61-100 and FM 101-10.

f. Military police support of the division support command is provided as an integral part of the area military police service. Except

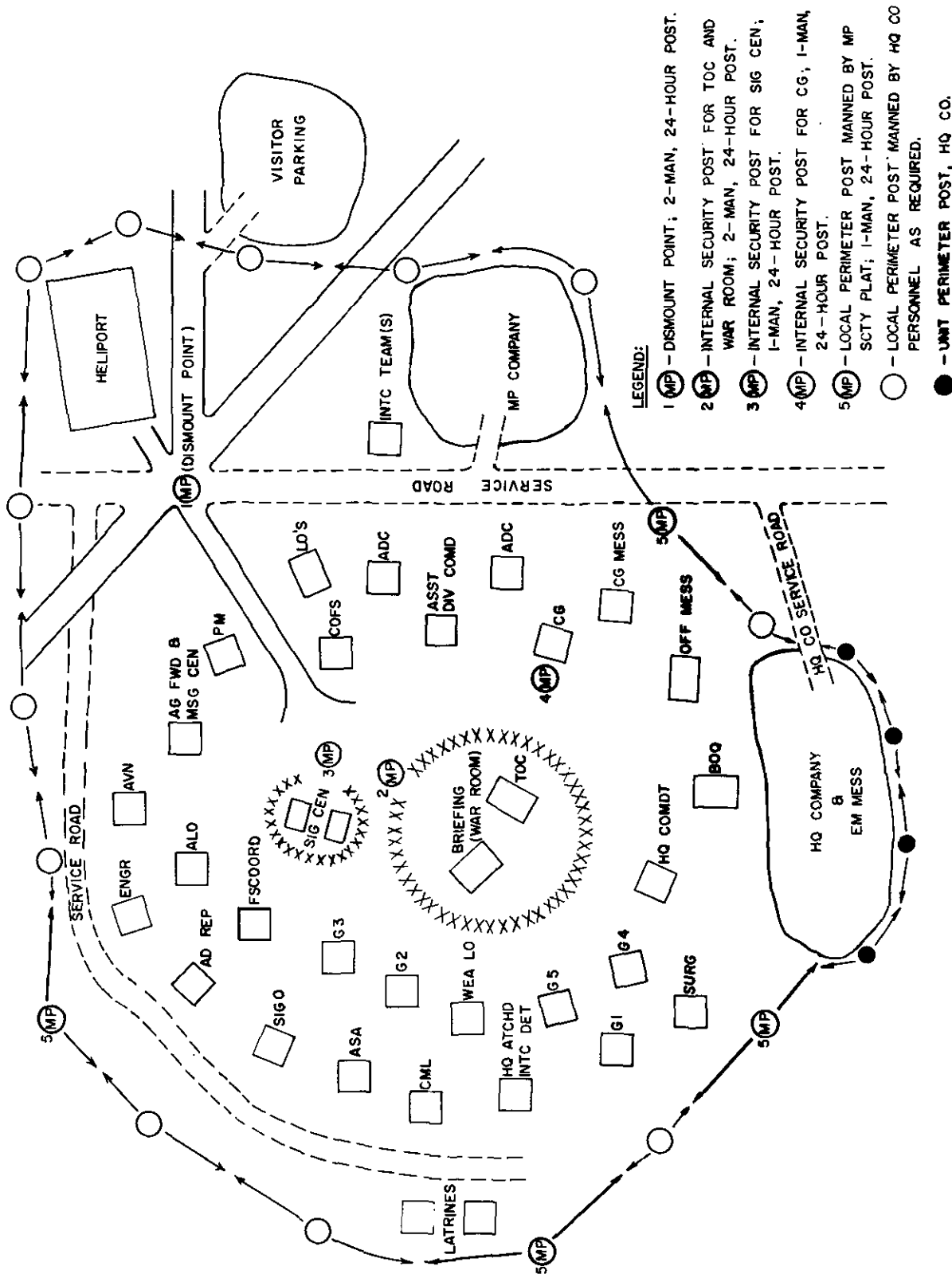


Figure 4. Type disposition of security platoon for command post security.

when the support command requires direct military police support over an extended period, military police elements are not attached to or placed in direct support of it. Instead, the military police support requirements of the support command are coordinated by or with the division provost marshal and integrated into the overall support plan. When attachment of military police elements becomes necessary, the division military police company may require augmentation.

g. Military police elements normally are not attached to or placed in direct support of the division reserve. Support of the reserve is provided by the military police elements performing area-wide support operations. Special requirements of the reserve for military police support such as traffic control are coordinated with the division provost marshal. Plans for commitment of the reserve must consider the provision of military police support upon commitment, including arrangements for augmentation of the military police company if its capabilities will be exceeded. Counterattack plans must contain military police traffic control plans to facilitate the timely movement of the counterattack force.

24. Brigade Area Operations

a. Elements of the division military police company usually are placed in support of each committed brigade. This support force usually consists of one military police platoon, but may be larger or smaller depending upon brigade requirements. The military police element usually is placed in support but may be attached to the brigade depending upon the situation. The platoon leader or senior military policeman provides advice to the brigade commander and his staff on military police support matters and maintains close coordination with the brigade staff, units, and other division elements operating in the brigade area.

b. Within its capabilities, a military police element providing support to a committed brigade in limited or general war performs support functions within any of the functional areas of military police support as required. Normally, the primary effort is devoted to ground traffic control operations to facilitate

the movement of combat, combat support, and combat service support elements in keeping with the plan of maneuver. Traffic control operations are flexible and responsive to changes in the situation contribute to the rapid dispersal of units and individuals from brigade assembly areas, and insure orderly movement of both motor vehicle and foot traffic within the brigade rear area. In addition to traffic control operations, military police perform such of the following functions as may be required:

- (1) Operation of a division forward PW collecting point.
- (2) Circulation control of individuals.
- (3) Escort and security of critical or key materiel, facilities, movements, and personnel.
- (4) Enforcement of military laws, orders, and regulations in conjunction with other operations.
- (5) Assisting in rear area security operations in conjunction with other military police activities.
- (6) Collection and disposition of stragglers.

25. Rear Area Security Operations

a. The military police company supports and participates in rear area security operations within its capabilities. Unusual civilian activity, refugees, unreported or strange units in the area, and enemy psychological operations are indicators of possible enemy activity in rear areas. Because of the nature of their functions and their employment on an area basis, military police elements are frequently first to discover the presence of enemy guerrillas, irregular forces, saboteurs, subversionists, and espionage agents. Additionally, military police elements are used as information collecting agencies in rear area security operations. The capability of military police elements to combat guerrillas and other hostile forces is limited because of dispersal and deployment of their small units. Military police patrols, however, may effectively engage and destroy small enemy raiding parties, roadblock teams, or sabotage and harassment parties. Military police employment in rear area security is inte-

grated into the overall division rear area security plan.

b. In internal defense operations, military police patrols, roadblocks, checkpoints, and raids may be used when operating in conjunction with host-country military or civil police or intelligence personnel to capture, counter, intercept, or disrupt infiltrators, subversionists, espionage agents, guerrillas, airborne forces, and saboteurs.

26. Area Damage Control Operations

Whenever the tactical situation permits, military police elements participate in area damage control activities. The principal functions performed by military police in support of such activities are traffic control, circulation control of individuals, crime prevention, and physical security of installations and facilities. When required and properly equipped and trained in accordance with local contingency plans, military police also can operate chemical detection and identification equipment and perform radiological monitoring of personnel and vehicles.

27. Operations in Fortified or Built-Up Areas

Primary emphasis is placed on the traffic control and population control functions of military police support in employment of the division against fortified or built-up areas. The use of nuclear weapons in such a situation may greatly increase the problems of personnel circulation control and necessitate the augmentation of the military police company or the assignment of combat units to assist in controlling the civil population.

28. River-Crossing Operations

Military police support in river-crossing operations is provided in the manner discussed in this manual and FM 31-60. The division military police company is employed under centralized control and is principally concerned with traffic control and prisoner of war operations at and in the vicinity of crossing sites. See FM 19-25 for discussion of traffic control techniques and procedures and FM 19-40 for handling prisoners of war during river crossings.

29. Defile Operations

When ground passage of a defile is necessary in the conduct of operations of the division, every effort must be made to pass all movements through the defile in the shortest possible time and to insure that any necessary concentrations of troops and vehicles is accomplished away from the immediate vicinity of the defile. Because movement is restricted, a defile offers the enemy an ideal target for the maximum disruption of military operations. Military police support may consist of a military policeman at each end of the defile with a motor patrol circulating through the defile and the surrounding area. See FM 19-25 for further guidance concerning defile operations.

30. Operations During Passage of Lines

a. A passage of lines is a major tactical operation normally involving the passing of one combat division through the lines of another division.

b. The passage of lines usually is planned and coordinated by corps headquarters. The detailed plans are made and coordinated between the divisions involved. Close coordination between the military police elements of the divisions involved is essential. Nondivisional military police support of the passage of lines must be carefully planned and must include provisions for adequate traffic control, evacuation of prisoners of war, circulation control of individuals, and adjustments in areas of responsibilities. See FM 61-100 for further guidance concerning planning procedures.

c. The unit passing through must have priority for the use of routes to and within the area of the unit being passed through. Route priority is established by the headquarters directing the operation. Traffic control in the area of the unit being passed through is the responsibility of the unit until the responsibility for the area passes to the unit passing through. The passing unit may augment the traffic control capability of the unit in position during the time of passage.

d. Within its capability, the unit being passed through furnishes military police support to the passing unit during and immediately after the passage. It may include collec-

tion of prisoners of war, refugee control, and traffic control.

31. Operations in Special Terrain

a. Desert. Military police support of the division in desert operations is provided in essentially the same manner as discussed elsewhere in this manual and FM 31-25. Because of the possibility of greatly extended distances involved, however, control of military police operations may often be decentralized. Special communications equipment may be required to insure coordination and responsiveness in military police support operations. Military police support functions include, but are not limited to, traffic control, straggler control, handling prisoners of war, enforcement of blackout and camouflage regulations, and assisting in land navigation.

b. Jungle. Due to the nature of the terrain and a comparative inability to move units or supplies on the ground, the requirements of military police support may be increased in some functional areas during jungle operations. Security of disabled vehicles or aircraft will present increased difficulties, and the circulation control of individuals will necessitate employment of greater numbers of military police in this function. Decentralized control of military police operations will often be necessary.

c. Mountain and Arctic. Decentralized control of military police support operations is characteristic in operations in mountain and arctic regions. Physical security requirements may often be increased and traffic control operations may include erecting temporary signs and controlling numerous defiles and similar obstacles.

32. Airborne Operations

a. Planning for military police support of airborne operations is similar to that for support of other combat operations. However, additional considerations affect the development of detailed plans. These include procedures for marshaling, evacuation of PW's, disposition of stragglers, and the amount of traffic control required in the objective area.

b. Military police support in the marshaling and staging phases of airborne operations is provided under the centralized direction of the division provost marshal. Division military police provide internal security with particular attention to command posts and personnel identification. Marshaling plans must allow for marshaling of the division military police company itself and for timely relief by nondivisional military police as elements of the company move out of the marshaling area. When civil law enforcement agencies are available to support marshaling activities, the provost marshal coordinates their assistance.

c. The airborne military police company normally is divided into three echelons for airborne operations. These echelons are attachments to the assault elements, the rear echelon, and the followup echelon.

d. Each assault element attachment enters the airhead early under the control of the element commander and consists of a team of military policemen sufficient for immediate operations in the assault area. The rear echelon is that part of the military police company which is left in the departure area. The remainder of the military police company enters the airhead with the division followup echelon at an appropriate time following the assault.

33. Airmobile Operations

a. Planning for military police support of airmobile operations is basically similar to that for airborne operations. Less time and detail may be required, however, because of the smaller scope of airmobile operations and because the use of organic aircraft permits simpler command relationships.

b. During airmobile assault operations, military police elements usually are attached to brigade assault forces. These elements move into the brigade base of operations with the logistical support element supporting the assault forces.

c. The division military police company, less those elements attached to committed brigades, provides military police support throughout the division base of operations under division control.

d. Despite the reduced numbers of ground vehicles within the airmobile division, traffic control will be a highly important aspect of military police support in both the division and brigade bases of operations. When the duration of the operations in a given area is extended, increased ground movements of supplies and equipment can be expected. Consequently, traffic control will become increasingly critical over the limited road net which would be established in the base of operations. Traffic control planning, as discussed in paragraph 37*c*, will be necessary to insure orderly and timely flow of this traffic.

34. Amphibious Operations

During an amphibious assault operation, military police land early in order to facilitate the movement of personnel and equipment away from the beach without delay according to the commander's plan. They enforce maximum dispersion, direct drivers and other personnel to roads and trails that exist or are outlined, conduct route and area reconnaissance, and post temporary route signs. They also perform other functions, such as collection and evacuation of prisoners of war, deflection of

refugees, straggler control, and physical security.

35. Separate Brigade Operations

a. Within separate brigades, the military police platoon organic to the brigade headquarters company supports the brigade and the combat battalions. Platoon employment and operations are similar to those of the division military police company but on a reduced scale. However, to provide the separate brigade with full military police support, augmentation of additional military police elements must be made in such functions as criminal investigation, PW evacuation, and others depending upon the assigned mission.

b. Internal defense operations may be carried out by an element of the division, such as a separate brigade task force. Military police support requirements for the task force must be carefully evaluated, considering the size of the operations, the size of the task force, and the functions to be performed by the military police element. The military police element assigned to the task force must be tailored in the light of those requirements. For additional details of military police support in internal defense operations, see also chapter 8.

CHAPTER 5

DIVISIONAL SUPPORT FUNCTIONS

36. General

a. Division military police support includes the functional areas of traffic control; physical security; command post security; prisoners of war; circulation control of individuals; prevention and investigation of crime; discipline, law, and order; confinement of military prisoners; and aid to civil authorities. These support functions are essentially the same throughout the various types of divisions. The differences that do exist are primarily in the degree of emphasis placed upon certain functions, rather than in the presence of distinctly different functions.

b. Internal defense operations create additional military police functions, to include advisory assistance, coordination with host-country military and civil police in internal security operations, police intelligence, psychological operations, population and resources control, movement control, and raid and search operations.

37. Traffic Control

a. *General.* Traffic control is a command responsibility. Efficient staff planning and coordination and close cooperation of unit commanders and other agencies concerned are required for effective traffic control. The judicious use of military police is important in achieving uniform and effective traffic control. The basic principle is to exercise the minimum control necessary to permit the maximum flow of traffic consistent with safety. In the combat zone emphasis is placed on uninterrupted movement. In the COMMZ and other areas outside the combat zone, emphasis is placed on safe movement. In internal defense operations, emphasis is placed on movement control of people, goods, and vehicles. Enforcing this

control requires traffic control posts, roadblocks, searches, travel permits, cargo manifest checks, seizure of contraband, and detainment of suspect individuals. When employed as part of the North Atlantic Treaty Organization (NATO) or American, British, Canadian, and Australian (ABCA) armed forces, U.S. military police provide traffic enforcement services in accordance with STANAG 2024 (SOLOG 55); STANAG 2025; and STANAG 2151; and the route signs erected are those prescribed in STANAG 2012. Details of these STANAG's are published in FM 19-3. See FM 19-25 for a detailed discussion of traffic control.

b. *Provost Marshal Responsibilities.* The division provost marshal is responsible for formulating plans and procedures pertaining to traffic control and for staff supervision of the enforcement by military police of traffic regulations and orders. His specific responsibilities include recommending traffic control policies; traffic control reconnaissance; preparation of traffic control plans; reports pertaining to and emergency clearance of traffic obstructions and road damage; establishment and operation of traffic control posts, patrols, and checkpoints; local rescheduling and rerouting in emergencies; preparation and posting of temporary traffic signs on temporary and permanent routes; coordination with host-country and U.S. civil authorities; and liaison with other agencies concerned with traffic regulation and traffic control.

c. *Operations.* Traffic control operations are performed by the military police platoons of the division military police company in accordance with the division traffic control plan prepared by the division provost marshal. This plan is based upon the highway regulation and traffic circulation plans prepared by the di-

vision highway traffic headquarters (FM 55-9). The control of traffic is accomplished through the establishment and operation of traffic control posts (TCP's) and traffic patrols. Figure 5 depicts schematically the traffic control operations in a type division area of operations. In internal defense operations traffic control posts may conduct resources control operations by screening passengers and cargo. Considerations should be given to locating control posts at interval that will not inconvenience travelers or impede freedom of movement. Traffic control posts may be located near other security installations for mutual support.

d. Refugee Control. Refugees may cause serious traffic control and movement problems. Refugee columns may clog roads and impose logistics burdens on local civilian and military installations. Mass movement of civilian refugees should be made under supervision of host-country military and civil authorities or by civil affairs personnel. Military police may be used to assist in the control of such movements. Refugees may be directed to assemble in designated evacuation centers or along designated routes. Psychological operations media such as loudspeakers, handbills, posters, and leaflets may be employed to direct the people and enhance control and movement of individuals or large groups as in the temporary evacuation of certain communities.

38. Physical Security

a. Within the brigade and division rear areas (with the exception of the main command post complex), physical security operations are carried out by the military police platoons through the provision of radio equipped motor patrols for the escort of critical or sensitive ground shipments and movements; escort parties for the air and ground movement of nuclear weapons and other sensitive shipments, and security personnel for the static protection of key installations and facilities, sensitive material, and designated persons. Temporary security for disabled aircraft and ground vehicles is provided as directed, pending evacuation or the arrival of maintenance or salvage personnel capable of assuming the security task.

b. Physical security operations within the division main command post are performed by the military police company security platoon.

c. Stringent internal security measures to prevent the compromise of planned operations must be established and strictly enforced. Most security and related measures are executed primarily by the tactical troops. However, extensive military police participation is necessary, particularly with respect to enforcement of these measures.

39. Security of Command Posts

The division provost marshal provides recommendations to assist the headquarters commandant in the discharge of his responsibility for local security of divisional command posts. In this connection, he works in close coordination with the headquarters commandant in the planning, supervision, and employment of the security elements (FM 61-100).

a. Additional security personnel are provided by division headquarters company and the staff sections of the headquarters when necessary.

b. Other troops may be attached to provide increased security.

c. Military police use automatic weapons with suitable fields of fire at likely avenues of approach in providing security.

d. Critical facilities within the command post that require security are the TOC, the division war room, the signal center, and the division commander's quarters.

e. The dismount point at the entrance to the command post is another key location secured by personnel of the security platoon.

f. Depending on the tactical situation, some personnel of the security platoon may provide close-in security for the division commander wherever he goes within the division area of operations or as otherwise directed. Personnel selected for this duty must be qualified marksmen, above average in intelligence, and tactful and diplomatic.

g. Plans must be made to provide security for the division alternate command post when established.

40. Prisoners of War

Military police PW operations contribute to the effectiveness of combat units by relieving

them promptly from the responsibility of guarding and evacuating prisoners they have captured. Military police support within this functional area may be categorized as collection operations and evacuation operations. The participation of both division military police and nondivisional military police is required in this function. When employed as part of the NATO or ABCA armed forces, U.S. military police perform prisoner of war operations in accordance with STANAG 2044 (SOLOG 22), details of which are published in FM 19-40.

41. PW Collection Operations

a. Enemy PW's are escorted by the capturing unit to the nearest PW collecting point. A forward collecting point usually is established in the rear area of each committed brigade. This collecting point is operated by the military police platoon supporting the brigade.

b. Forward collecting points are located as close as possible to transportation terminals within the brigade rear area without causing undue interruption of tactical and combat service support operations. In airmobile operations, the forward collecting point is located in the vicinity of the brigade primary heliport or airfield.

c. The extent and scope of construction required for detention of PW's at collecting points vary with the situation and are dependent upon the number of PW's captured, the availability of transportation for evacuation to the rear, and climatic factors. These collecting points may range from the use of cleared open areas to prefabricated portable enclosures designed to hold PW's in secure areas.

d. In general, provisions should be made to provide suitable protective barriers arranged in compartments. Barbed wire or barbed wire concertina may be used. Buildings may be used if available. A suggested arrangement of an approximately 60-man PW collecting point is shown in figure 6. Protective barriers increase the effectiveness of guard personnel, and compartments contribute to the efficiency of processing and evacuation.

e. At the forward collecting points military police receive PW's from the combat troops. Receipts are given for the number of PW's

delivered and received. Any documents taken from PW's by capturing troops are received by the military police.

f. PW's are then given a thorough search for documents and weapons. A record is made of the types of documents taken and the identification of the PW's from whom they are taken.

g. An interrogation prisoner of war (IPW) team usually will be located at each forward collecting point. This team will conduct a preliminary interrogation of all PW's. Any documents previously found on a PW should accompany the PW to this interrogation. The IPW team will designate those PW's that are to undergo further interrogation at the division central PW collecting point. These PW's are kept separate from those who have been screened.

h. The military police platoon leader informs the movement control officer in each brigade rear area of the number of PW's to be evacuated and their destination (i.e., army cage or division central collecting point). He coordinates with army or COMMZ military police escort guard personnel and assists them to load PW's for evacuation to the rear. He informs the supported brigade S1 of the number of PW's processed and evacuated and other pertinent information concerning transportation requirements. He is responsible for arranging for food and medical attention for PW's. Those PW's in medical channels are processed at the medical facility to the extent possible.

i. In internal defense operations, prisoners may be nonmilitary but of interest to host-country military and civil police authorities. Close coordination with these agencies is required to determine proper disposition of insurgent prisoners such as political activities, suspect political activists, secret cadre of a variety of descriptions, supply personnel, messengers, willing and impressed persons, and common criminals. In any case, release of captured insurgents to host-country authorities must be in consonance with U.S. policy in effect at the time.

42. PW Evacuation Operations

a. Enemy PW's are evacuated from the division central collecting point by nondivisional

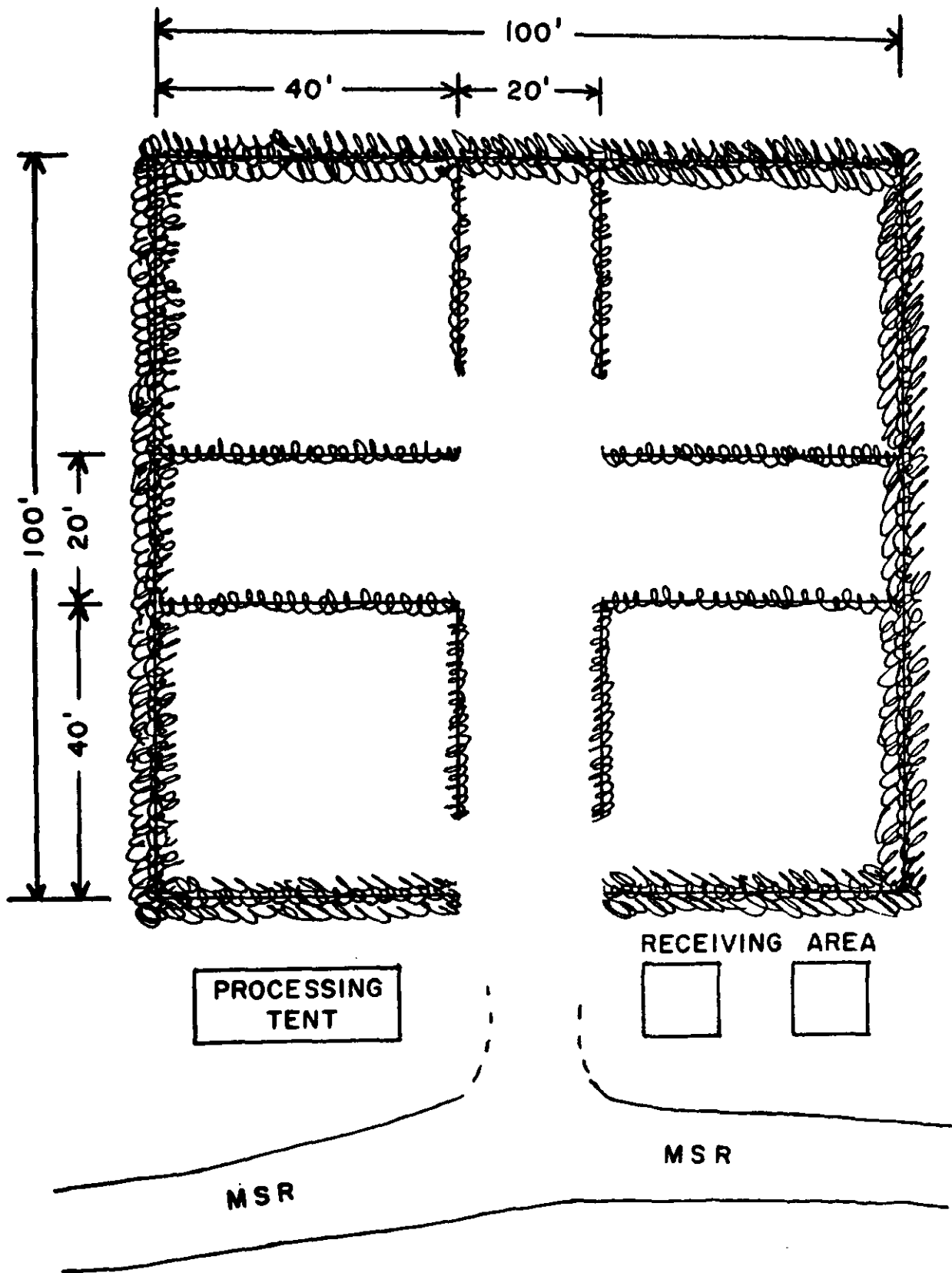


Figure 6. Type PW facility utilized at division collecting point.

military police. This normally is accomplished by elements of a military police escort guard company from the field army. In some situations, escort guards from the COMMZ may also evacuate PW's from the division. Selective evacuation from the forward collecting points to the division central collecting point is accomplished by the military police platoon operating the central collecting point. An alternate method is to have escort guard personnel from army or COMMZ deliver these PW's when they pass by the division central collecting point on their way to the rear.

b. PW's are evacuated from division as soon as practicable and when all intelligence requirements of G2 are met.

c. Wounded PW's are evacuated through medical channels.

d. FM 19-40 contains further details on the handling and treatment of PW's.

43. Circulation Control

The control of the circulation of individuals is a basic function inherent to military police support activities. All military police patrols and posts perform circulation control activities in conjunction with their other activities.

a. Commanders at all levels are responsible for straggler control within their areas of responsibility. Military police provide assistance to commanders as necessary. Special straggler control posts may be established by the military police platoons at critical points along natural lines of drift within the brigade and division rear areas. Such posts, when required, perform the multiple functions of straggler control, traffic control, refugee control, and control of the circulation of other individuals. When the situation dictates, a division straggler collecting point is established at a central location in the division rear area. As stragglers are assembled at the collecting point, they are screened and sorted for appropriate disposition. Maximum effort is made to return stragglers to their units. Wounded, injured, or sick stragglers are evacuated to the nearest medical treatment facility. Other appropriate disposition is made as arranged by the division provost marshal. When employed as part of the NATO or ABCA armed forces, U.S. military police perform

straggler control operations in accordance with STANAG 2067 (SOLOG 68). See appendix IV for details.

b. Planning for the control of refugees, displaced persons, and indigenous civilians is primarily by civil affairs personnel. Military police assist in the control of civilians to preclude their interference with tactical operations.

c. Psychological operations support can assist tactical operations by employing printed and verbal media to inform civilians of evacuation requirements, movement orders, and certain operations. Military police must insure that their dealings with elements of the civilian population are conducted with the utmost propriety to avoid creating a feeling of hostility toward the military forces and, thus, making operations more difficult. Circulation control measures may require the limited use of travel permits, travel manifests, licensing of all types of vehicles, and curfews. While strict measures may be necessary on occasion, they should be used only when absolutely required and as tactfully as possible.

44. Prevention and Investigation of Crime

a. The prevention of crime is a responsibility of command at all echelons. Military police augment and extend the command crime prevention program in the course of day-to-day law enforcement activities. The conduct of specific operations in the functional area of crime prevention, such as crime prevention surveys and physical security surveys, is planned and supervised by the division provost marshal.

b. The provost marshal section has the capability of conducting criminal investigations in accordance with AR 195-10 and FM 19-20.

45. Discipline, Law, and Order

a. The maintenance of discipline and the enforcement of military laws, orders, and regulations are integral functions of military police support and are performed by all military police patrols and posts. In portions of the division rear area not assigned to a subordinate commander, military police provide such support when required.

b. In internal defense, close coordination

must be maintained with host-country military and civil police and other agencies for the maintenance of discipline and the enforcement of military and civil laws and orders pursuant to an agreement with the host country.

46. Military Prisoners

a. When required, the military police company operates a temporary confinement facility for U.S. military prisoners. Usually, this facility is located centrally and is operated by the military police platoon supporting the division rear area. Confinement of U.S. military prisoners usually is limited to temporary detention within the division rear area. Personnel awaiting trial usually are kept with their units and are placed in pretrial confinement only in those cases where physical restraint is necessary. Convicted military prisoners are retained within the division only for the length of time

necessary to arrange for their evacuation to the confinement facility designated to support the division. See FM 19-60 for operation of confinement facilities.

b. Escorts for the evacuation of military prisoners from the division are arranged for by the provost marshal. Whenever possible such evacuation should be accomplished by non-divisional military police.

47. Aid to Civil Authorities

During an emergency, a division may be directed to render assistance to the civilian community. The role the military police company can play is of great importance when planning military support requested by civil authorities experiencing a civil disturbance, disaster, or civil defense emergency. See FM 19-15 and FM 20-10 for detailed guidance.

CHAPTER 6

NONDIVISIONAL SUPPORT FUNCTIONS

48. General

A division requires continuing backup support by nondivisional military police organizations within several functional areas. In addition, augmentation of the organic police capability may be necessary in certain types of operations. All nondivisional military police support provided to the division is coordinated by the division provost marshal with the commanders of the supporting military police companies, battalions, groups, or brigades.

49. Evacuation of Prisoners of War

The evacuation of PW's from the division is carried out by military police escort guard companies from the field army or the COMMZ. Based on the anticipated capture rate, the provost marshal arranges in advance for the positioning of escort guard personnel to accomplish the evacuation mission.

**50. Criminal Investigation Support
Police Company**

The limited capability of the division military police company to perform criminal investigations necessitates that a continuing provision be made for backup support. This backup is provided by field army as required.

51. Augmentation of the Division Military

a. Typical situations when the military police

company requires augmentation from nondivisional supporting military police units are—

- (1) Extended commitment of three combat brigades of the division under circumstances requiring military police support elements for all three brigades.
- (2) Extended independent employment of one or more brigade task forces under circumstances requiring military police support.
- (3) A tactical situation involving an excessive daily PW capture rate over an extended period.
- (4) A situation involving the control and movement of large numbers of local civilians, refugees, or displaced persons.
- (5) Extensive employment of the unit in support of rear area security or area damage control operations.
- (6) A situation in which continuing direct military police support for the division support command is necessary.
- (7) Employment of the division in certain types of counterinsurgency operations.

b. Augmentation normally consists of one military police platoon, but may include an entire military police company or more in internal defense operations. The organization and equipment of the companies of the army military police battalion make them and their platoons readily compatible with division military police employment.

CHAPTER 7

COMMUNICATIONS

52. General

Responsive military police support to the division is contingent upon the availability of adequate and reliable communications in the military police company. Wire and voice radio equipment is required for command and control of elements of the company. The military police company uses both organic communication equipment and various services provided by the division signal system. This system includes signal centers at each echelon of the division headquarters (main, alternate, and rear), the support command headquarters, and three signal centers in the forward area of the division zone. These centers provide message center, messenger, cryptographic, telephone, teletype, radio (excluding organic radio sets), and radio-wire integration service for all units in their vicinity, supplemental to organic facilities.

53. Radio

a. The military police company, depending on its organic radio equipment, may operate in or monitor radio nets in the division as indicated below:

- (1) *Division command net.* This net provides a direct channel of communication between the division commander and staff and the commanders of all units operating directly under division control. The military police company enters it as required. Operations are in accordance with the division SOP, signal operation instructions (SOI), and standing signal instructions (SSI).
- (2) *Division operations/intelligence net.* This net is provided for the conduct of tactical and intelligence operations and

generally parallels the division command net. In the airborne and air-mobile divisions, the military police company commander and the division provost marshal can monitor this net. In the other types of divisions, they cannot.

- (3) *Division warning broadcast net.* This net is used to broadcast airalerts; chemical, biological, and radiological (CBR) attack warning; fallout warning; and other nonselective alerts of an urgent operational nature. This information is required by all divisional units, and the requirement for timeliness prohibits handling through command channels. The military police company monitors this net. Warning information is further disseminated through the military police company command net and any available wire net facilities.
- (4) *Radio/wire integration (RWI) stations.* These stations serve to connect upon request mobile voice FM radio stations to other elements connected by telephone to the division signal system. Military police elements can communicate with RWI stations by using organic radios and can then be connected with other elements by the stations.

b. Command control of military police operations in the division is facilitated by a military police company command net and platoon command nets.

- (1) *Military police company command net.* This net provides the primary means for command, control, and coordination of military police operations in

the division area. The company commander controls the net and places stations in it as required to facilitate the military police mission. The provost marshal, the company commander, the escort guard officer, and the military police platoon leaders (when not operating in nets of supported brigades) normally operate in this net.

- (2) *Military police platoon command net.* This net provides the platoon leader with command, control, and coordination of military police patrols operating in the support area of a committed brigade. The net control station (NCS) of this net operates in the command net of the supported brigade. The platoon engaged in PW activities and in providing military police support in the division support area also operates a platoon command net. The NCS of the platoon net may operate in the support command net in connection with support operations. The military police platoon leaders also operate in the military police company command net.
- (3) *Security platoon command net.* In the armored, infantry, and mechanized divisions, the security platoon radios operate as a part of the military police company command net as shown in figure 7. However, under certain conditions the security platoon may establish its own net as shown in figures 8 and 9. This net, when established as a separate net, provides the security platoon leader with command, control, and coordination of military police roving security patrols within the perimeter of the division command post. Because of reduced range and mobility requirements of this net, the platoon is equipped with portable sets.
- (4) *Military police company utility radios.* The company is equipped with portable radio sets for use in special situations requiring radio communications within a small area. Typical situations in which these radios may be utilized are in coordinating and controlling vehicular traffic through a defile, in riot

control activities, and in evacuation of prisoners of war. Control is maintained by the senior individual involved in the particular operation. When utility radios are employed, they operate in a platoon command net or, when authorized by the division SOI, in a special-purpose net.

c. The radios assigned to the various elements of the military police company and the provost marshal section are operated by members of these units as part of their normal duties. Doctrine on radio operating procedure and techniques is contained in FM 28-18.

d. Type radio communications of the military police company are diagramed in figures 7, 8, and 9.

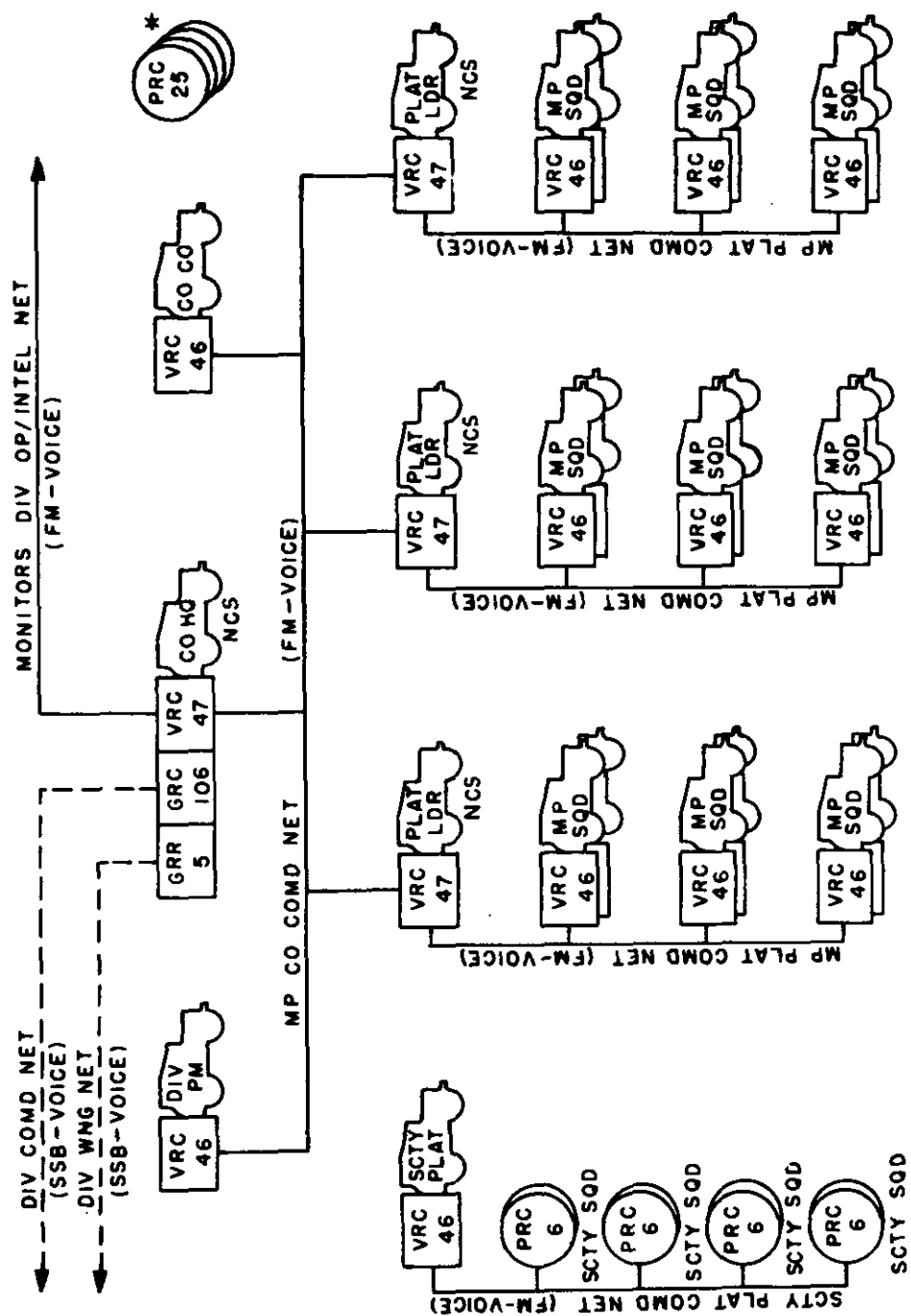
54. Wire

a. During periods of radio silence or enemy jamming operations, wire becomes the primary means of communication. Wire communication should also be used in any situation where time, security, and operational requirements permit its installation.

b. In comparison with radio communications, wire nets require more time to establish, are not as flexible, and are susceptible to disruption by enemy action. However, wire nets are generally more secure and more reliable than radio nets, and they are not too adversely affected by variations in weather.

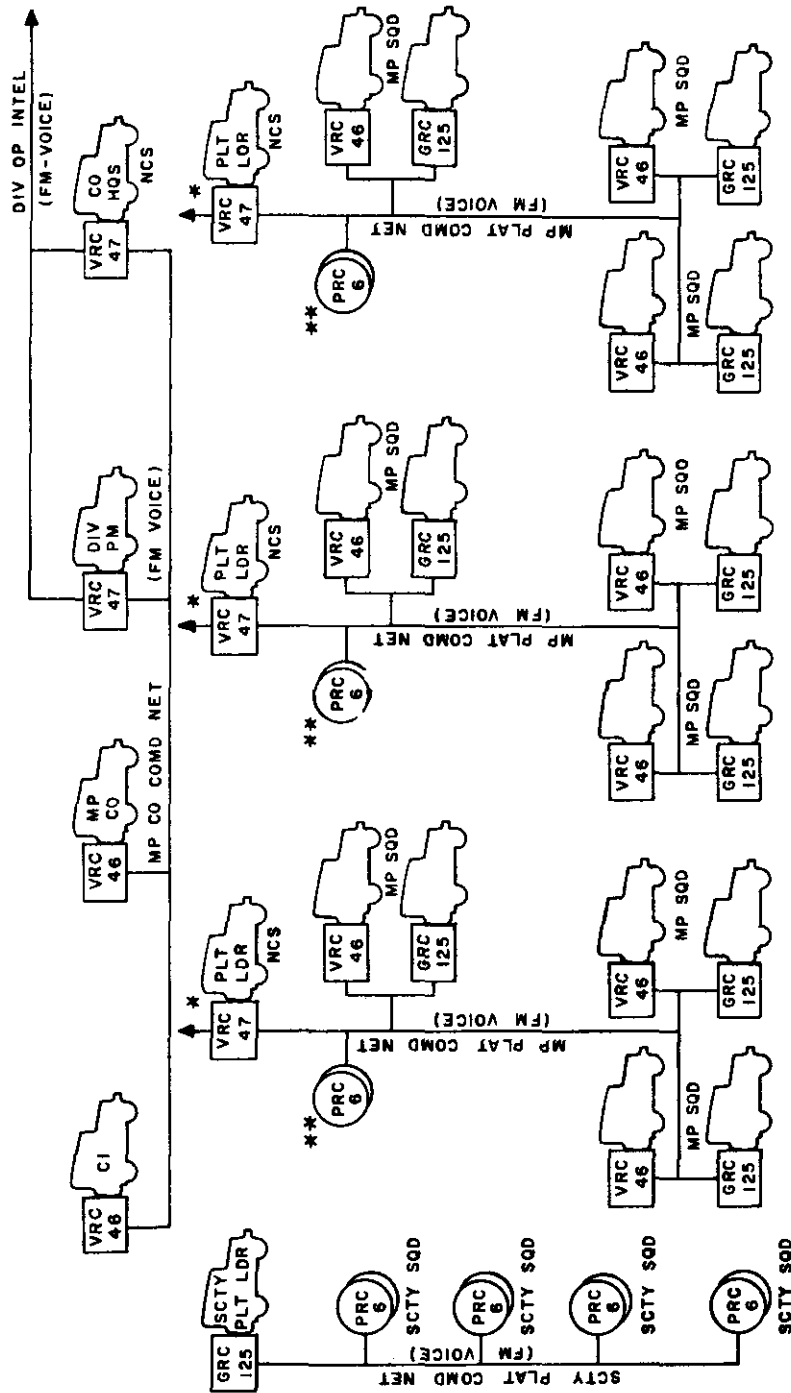
c. The division provost marshal and military police company commander employ telephone and radio-wire integration for accomplishment of the military police mission. Telephone sets are available to the provost marshal, the company commander, and the security platoon leader. These sets allow entry into the division common signal service through the company headquarters switchboard.

d. Additional telephones enable the company commander or the platoon leaders to utilize a local wire net for control and coordination at traffic dismount points, defiles, staging areas, fixed traffic control posts, and PW collecting points, as required. Telephones also are provided to the military police platoon leaders for voice communication through switchboards of supported units, as required.



* 4 UTILITY SETS REQUIRED FOR TRAFFIC CONTROL AT DISMOUNT POINTS AND STAGING AREAS.

Figure 8. Type radio communications diagram, military police company, airborne division.



* AUX RECEIVER IN CO COMD NET OR NET OF SUPPORTED UNIT.
 ** UTILITY SETS FOR TRAFFIC CONTROL AT FIXED POINTS, DEFILES, AND DISMOUNT POINTS.

Figure 9. Type radio communication diagram, military police company, automobile division.

55. Messenger

Messengers may be used extensively in local military police operations for the delivery of low-precedence military police messages that would otherwise overload electrical facilities. They are also used when wire and radio communications are impracticable, when equipment breaks down, and for the delivery of bulky material. Messengers are the most secure means of communication, and military police use messengers both as an emergency means and as a regular established service.

56. Visual

Visual communications of various types are often employed in the course of military police support operations. The hand signals used by traffic control personnel in directing traffic are an important visual means and must be understood by all military drivers. The emergency lights mounted on military police vehicles are a means of communicating a visual warning. Of particular significance are the visual means of communication between the ground and aircraft overhead. Military police must be proficient in the use of ground-to-air communications equipment, e.g., signal panels and color smoke. Further information on visual signals is provided in FM 21-60.

57. Sound

Means of communication utilizing sound are often important in military police operations. Siren-equipped military police vehicles transmit an aural warning as do the whistles sometimes used by traffic control personnel. Klaxons, horns, sirens, fi buzzers, and similar means also may be employed to transmit prearranged messages and warnings.

58. Commercial Systems

Military police operations in the division area of responsibility may include patrolling in a large city. Military police stations are situated in or near the city area and normally are connected into the local telephone system. Military police on patrol, however, normally do not use the local telephone system except in emergencies. The use of commercial broadcasting facilities by military police is also usually limited to serious emergencies. However, under some conditions, the provost marshal may request commercial radio broadcasts of messages of public interest. Instances which may require usage of commercial radio should be coordinated with the local signal officer or civil affairs offices, as applicable, depending on the control of the facility.

59. Civil Police Systems

Direct telephone lines for liaison may be established between the military police station and civil police stations. Arrangements may be made for the use of the civil police radios and their telephone callbox facilities. Use is ordinarily limited to emergencies or special situations, and care is taken not to overload the civil police networks. Requests for this type service are coordinated with the local signal officer or civil affairs officer.

60. Village Radio Nets

During internal defense operations, military police may utilize village, district, and province radio nets for communications with central police headquarters. These nets should be used only when police communications are inappropriate or not available.

CHAPTER 8

SUPPORT OF INTERNAL DEFENSE OPERATIONS

61. General

Internal defense is the full range of measures taken by a government and its allies to free and protect its society from subversion, lawlessness, and insurgency. U.S. forces may be employed in internal defense operations in advisory, combat, combat support, or combat service support roles. Divisions and separate brigades committed in such situations may provide forces to perform all of these functions. For additional guidance, see FMs 100-5, 100-20, 31-16, 31-22, and 31-22A.

62. Functions and Responsibilities

a. Military police functions and responsibilities in internal defense operations differ from those in limited and general war principally in that military police may become involved directly with host-country civil controls and with enforcement of emergency regulations. This might be required pursuant to an agreement with the host country in those cases where small communities and rural villages may have limited police resources for maintaining internal security, to include law and order.

b. Military police activities may be more difficult in internal defense operations than in limited or general war because of the requirement to conform to treaty obligations; laws and regulations of local government; United Nations or other international regulations; and local customs and traditions.

c. Military police support of a division or separate brigade in internal defense operations involves increased emphasis on the maintenance of discipline and on such populace and resources control measures as enforcement of laws, orders, and regulations; traffic control; physical security; crime prevention and investigation; personnel and area search; curfew; cordon and search operations; control of civil disturbances,

and the organization and operation of police intelligence systems.

d. The military police company, cooperating with other U.S. forces and with host-country civil and military police, can support the division by controlling U.S. personnel and vehicles. It can also contribute to estimates of the ability of civil authorities to maintain control of the local populace.

63. Organization for Operations

a. Division military police will require augmentation to perform military and civil internal security functions in internal defense operations. Augmentation may be made by attachment of TOE 10-500 units, by development of integrated provisional military police units from other branch units, or by attachment of other nondivisional military police units.

b. The division military police company may provide advisory assistance to include planning, training, and operational assistance in internal defense and normal police programs. Further discussion on military police advisory assistance is provided in FM 31-22.

c. A brigade of the division operating separately in internal defense operations normally will require more than one platoon from the division military police company.

64. Internal Security Operations

Military police may participate in internal security operations in support of host-country military and civil police in maintaining law and order. In doing so, they may take actions to control human and materiel resources and to deny insurgents access to those resources.

a. Population and resources control measures involve the following considerations:

(1) Military operations for population con-

trol, relocation, screening, or movement may be conducted by the division. Military police support of such operations embraces all functional areas of military police operations with functional areas of military police operations with particular emphasis upon traffic control, physical security, and control of individuals. For further details, see FM 19-5 and FM 19-25.

- (2) Cordon and search operations may also be required. In these operations, a well-trained force descends unexpectedly upon a town, village, city block, or similar area; surrounds the area; and systematically searches out all persons and property of military interest. Military police support of a cordon and search operation includes provision for manning or supervising the security of captured individuals and equipment, and evacuating detainees. U.S. military police can best accomplish cordon and search operations by assisting or in conjunction with, host-country military or civil police. A further discussion of conducting raids and performing cordon and search operations is contained in FM 31-16 and FM 31-73.
- (3) Commitments of division elements to extensive riot control operations requires increased military police effort. Although combat units may be employed to execute the basic riot control operations, requirements for military police support are greatly increased by the need to accomplish such tasks as personnel identification; search and seizure; traffic control; guarding of captured insurgents; and physical security of critical installations, facilities, and utilities. Because of their specialized training, military police can perform riot control operations more effectively than other troops. The capabilities of the division military police company to perform this task, however, are comparatively limited. When possible, therefore, the military police company should be augmented to perform riot control operations. For

detailed riot control procedures and formations, see FM 19-15.

- (4) Screening and documenting the population include the establishment of a central registry and records system. Comprehensiveness of the material against which screening may be accomplished normally determines the speed with which local administration can be effectively restored.
- (5) Mobile and static control points and checkpoints may be established to check identity and travel cards and to search vehicles for contraband and unusual cargoes. Static checkpoints are located to intercept the flow of vehicles and pedestrians in and out of metropolitan centers, defended hamlets, villages, districts, and other significant areas. They usually are located in the vicinity of other military or security installations for mutual support. Checkpoints are established where travelers will not be unduly hampered or harassed, but where there is sufficient space to park vehicles and to assemble personnel under guard for searches and possible interrogation. Static checkpoints may be supplemented by mobile checkpoints or patrols which use vehicles and helicopters. A major purpose of mobile checkpoints is to intercept vehicles or individuals attempting to avoid the static checkpoints.
- (6) Curfew is established only when clearly justified by related factors including possible effects, objectives, enforceability, and duration. Curfew objectives are to screen military movements, prevent movements useful to insurgent forces, restrict movement during specific hours, disrupt insurgent communication and support systems, and deter assembly of crowds. Announcements should include times of curfew and categories of persons exempted from curfew restrictions.
 - b. Additional resources control measures which may be taken include forbidding civilians

to enter without permission any restricted or guarded place; ordering all weapons, ammunition, radios, and cameras to be surrendered; and controlling livestock, foodstuffs, medical supplies, printing presses, and money. Measures of these types however, should be taken only when completely justified.

c. Division military police coordinate with, assist, and help train host-country military and civil police in the maintenance of military and civil internal security. Joint U.S. and host-country military police patrols may also be conducted.

d. Port and border control operations consist of the application of security measures in coordination with other U.S. and host-country intelligence and other internal security agencies to control airports, seaports, land and sea frontiers, and all civilian traffic into and out of areas of operation.

(1) Port facilities are primary insurgent targets and good entry points. Ports are normally under the control of a civil port authority, and security may be provided by harbor or port police, paramilitary forces, and host country military police.

(2) Border surveillance and control in internal defense operations are designed to prevent insurgent forces from making use of adjacent countries. Military police may provide border control posts and border patrols, control persons residing near borders, interrogate suspects, control refugees, and conduct liaison with border control authorities of neighboring countries.

e. Population surveillance is based on area coverage and includes—

(1) Overt surveillance, which is conducted by the police with normal police procedures and employing foot or vehicle police patrols. The routes of police patrols should be varied. They should also be coordinated with other patrols and military forces to avoid duplication and confusion.

(2) Covert surveillance, which is a collection effort conducted by intelligence,

security, and detection elements of the police. Covert techniques range from the use of sophisticated electronic devices to the employment of informants. They include information nets and block control, in which trusted residents report on the activities of their neighbors. Informant nets are useful to doublecheck block leaders and block informants.

65. Intelligence Operations

The development of police intelligence operations by host-country and U.S. military police complements the overall internal defense intelligence program. Police intelligence can provide—

a. An identification program, including fingerprinting, photography, and exact descriptive data.

b. Establishment of police files and police records.

c. Informant nets, block control systems, and search systems.

d. Interrogation methods, including the employment of polygraph.

66. Tactical Operations

Military police may participate in tactical operations against insurgents. In coordination with intelligence and counterintelligence personnel, military police can also develop and operate police intelligence nets to provide military intelligence. Military police can also provide surveillance and reconnaissance patrols and help to maintain open lines of communication while hampering insurgent movement. Military police units can—

a. Provide police intelligence to enhance the overall intelligence effort.

b. Serve as small strike forces capable of overcoming roadblocks and other small-scale guerrilla activities.

c. Perform constant route and reconnaissance patrols to maintain surveillance and keep lines of communication open.

d. With augmentation, conduct raids into

guerrilla operational areas and conduct tactical operations.

67. Psychological Operations

Police activities generally are regarded with a negative attitude by the layman. Positive public relations and intelligent psychological operations programs, coupled with good police techniques should, therefore, be used to avoid friction and to cause closer cooperation by the people. The population must be convinced that their police force is devoted to protecting the public interest; preserving internal security by halting crime, violence and vice; and countering insurgency. Psychological operations programs can be employed to inform the population and to seek its cooperation and allegiance. Benefits accruing from such programs include—

- a. Prevention of undue harassment of the population.
- b. Winning the support of the people.
- c. Efficient employment of military police resources.
- d. Informing the population of local rules, regulations, and laws.

68. Military Civic Action

Host-country military and civil police often are the only governmental agencies which have daily contact with the population at the rural and community levels in developing countries. This association can be employed to advantage in a military police civic action program. U.S. military police may provide training, assistance, and advice in the following specific areas of civic action:

- a. Training of local citizens as auxiliary police.
- b. Assisting the development of sound police/community relations.
- c. Developing and supporting youth activity programs.
- d. Developing modern correctional and rehabilitation programs.

e. Developing effective physical and community security.

69. Advisory Assistance

Divisional and separate brigade military police units may extend the Military Assistance Program (MAP) and U.S. Agency for International Development (AID) responsibilities by providing training, advice, and assistance to host-country forces. Host-country police forces have a major role in combating subversive insurgency. Insurgents are considered criminals and, as such, their activities are illegal and subject to police jurisdiction.

70. Training

As a part of area orientation in preparation for internal defense operations, members of the division military police company should receive detailed instruction in subjects relating to civil and military law, status of forces agreements, and civil affairs agreements concerning host countries in which they will operate. Training should emphasize their authority, jurisdiction, and relationships with host-country forces and civilians and with other U.S. armed forces and agencies. The program of instruction should include—

- a. Riot control, use of chemical agents and equipment, and mob psychology.
- b. Patrolling; operation of checkpoints, roadblocks, and strongpoints; personnel identification systems; civil defense; police security investigations; and customs enforcement control.
- c. Psychological operations to support police public relations and military civic action programs.
- d. Security of ports, airports, industrial plants, railroads, public buildings, utilities and military installations.
- e. Traffic control; handling of military civilian, and insurgent prisoners; crime investigations; cordon and search operations; and military intelligence operations.
- f. Conduct of military police combat patrols, strike force operations, route and area reconnaissance, and airmobile operations.

APPENDIX I

REFERENCES

1. Army Regulations

- 195-10 Criminal Investigation: Military Police Criminal Investigative Activities.
 195-11 Criminal Investigation: Accreditation of Military Police Criminal Investigators.
 310-32 Military Publications: Organization and Equipment Authorization Tables; Personnel.
 320-5 Military Terms, Abbreviations, and Symbols: Dictionary of United States Army Terms.
 320-50 Military Terms, Abbreviations, and Symbols: Authorized Abbreviations and Brevity Codes.
 380-5 Military Security: Safeguarding Defense Information.

2. Field Manuals

- 1-5 Aviation Company; Organization and Employment.
 1-15 Aviation Battalion.
 3-10 Chemical and Biological Weapons Employment.
 3-12 Operational Aspects of Radiological Defense.
 5-1 Engineer Troop Organizations and Operations.
 5-36 Route Reconnaissance and Classification.
 7-20 Infantry, Airborne Infantry, and Mechanized Infantry Battalions.
 7-30 Infantry, Airborne, and Mechanized Division Brigades.
 8-15 Division Medical Service, Infantry, Airborne, Mechanized and Armored Divisions.
 8-16 Medical Service, Field Army.
 9-1 Ordnance Service in the Field.
 9-6 Ammunition Service in the Theater of Operations.
 9-30 Maintenance Battalion: Division Support Command.
 10-50 Supply and Transport Battalion, Division Support Command.
 11-21 Tactical Signal Communications Systems, Army Corps, and Division.
 11-50 Signal Battalion, Armored Infantry and Infantry (Mechanized) Divisions.
 11-57 Signal Battalion, Airborne Division.
 12-11 Administration Company, Airborne, Armored Infantry, and Mechanized Divisions.
 17-1 Armor Operations.
 17-30 The Armored Division Brigade.
 19-2 Military Police Support in the Field Army.
 19-3 Military Police Support in the Communications Zone.
 19-5 The Military Policeman.
 19-15 Civil Disturbances and Disasters.
 19-20 Military Police Investigations.
 19-25 Military Police Traffic Control.
 19-30 Physical Security.

19-40	Enemy Prisoners of War and Civilian Internees.
19-60	Confinement of Military Prisoners.
20-10	Civil Defense.
21-11	First Aid for Soldiers.
21-30	Military Symbols.
21-40	Small Unit Procedures in Chemical, Biological, and Radiological (CBR) Operations.
21-41	Soldier's Handbook for Chemical and Biological Operations and Nuclear Warfare.
21-48	Chemical, Biological, and Radiological (CBR) and Nuclear Defense Training Exercises.
21-60	Visual Signals.
24-1	Tactical Communications Doctrine.
24-18	Field Radio Techniques.
26-5	Interior Guard.
27-10	The Law of Land Warfare.
29-10	Supply Management in the Field Army.
29-22	Maintenance Operations in the Field Army.
29-45	General Support Supply and Service in the Field Army.
30-5	Combat Intelligence.
31-16	Counterguerrilla Operations.
31-21	Special Forces Operations.
31-22	U.S. Army Counterinsurgency Forces.
(S) 31-22A	U.S. Army Counterinsurgency Forces (U).
31-25	Desert Operations.
31-60	River-Crossing Operations.
31-73	Advisor Handbook for Counterinsurgency.
33-5	Psychological Operations.
41-10	Civil Affairs Operations.
54-2	The Division Support Command.
55-9	Transportation Services and the Transportation Brigade in the Field Army.
55-35	Motor Transport Operations and Motor Transport Units.
57-35	Airmobile Operations.
61-100	The Division.
100-5	Field Service Regulations: Operations.
(C) 100-20	Field Service Regulations: Counterinsurgency (U).
101-5	Staff Officers' Field Manual: Staff Organization and Procedure.
101-10-1	Staff Officers' Field Manual Organizational, Technical, and Logistical Data. Unclassified Data.
101-10-2	Staff Officers' Field Manual: Organizational, Technical, and Logistical Data—Extracts of Tables of Organization and Equipment.

3. Technical Manuals

3-220	Chemical, Biological, and Radiological (CBR) Decontamination.
38-750	Army Equipment Records Procedures.
57-210	Air Movement of Troops and Equipment.

4. Department of the Army Pamphlets

27-1	Treaties Governing Land Warfare.
108-1	Index of Army Motion Pictures, Filmstrips, Slides, Tapes, and Phonorecordings.

- 310-1 Military Publications: Index of Administrative Publications.
- 310-3 Military Publications: Index of Doctrinal, Training, and Organizational Publications.
- 310-4 Military Publications: Index of Technical Manuals, Technical Bulletins, Supply Manuals (types 4, 6, 7, 8, and 9), Supply Catalogs (type CL), Supply Bulletins, Lubrication Orders, and Modification Work Orders.
- 310-5 Military Publications: Index of Graphic Training Aids and Devices.

5. Tables of Organization and Equipment

- 7-102 Headquarters and Headquarters Company, Separate Infantry Brigade.
- 17-102 Headquarters and Headquarters Company, Separate Armored Brigade.
- 19-27 Military Police Company, Armored Division; or Military Police Company, Infantry Division; or Military Police Company, Infantry Division (Mechanized).
- 19-67 Military Police Company, Airborne Division.
- 19-500 Military Police Service Organization.
- 29-500 Composite Service Organization.
- 37-102 Headquarters and Headquarters Company, Separate Infantry Brigade (Mechanized).
- 57-102 Headquarters and Headquarters Company, Separate Airborne Brigade (Mechanized).

APPENDIX II

**TYPE DIVISION PROVOST MARSHAL SECTION STANDING
OPERATING PROCEDURE**

(Classification)

Division
Provost Marshal Section
Location
Date

STANDING OPERATING PROCEDURE

I. APPLICATION

PM section SOP conforms to division SOP, doctrine, and regulations. It applies except when modified by division order or with concurrence of PM. MP company SOP will conform.

II. ORGANIZATION

A. Tactical Groupings. See paragraph IVC3a and b, below.

B. Provost Marshal Section.

1. Organizational chart, Annex A. Omitted.

2. PM duties and functions.

a. Advises CG and staff on PM and MP activities.

b. Recommends employment of MP company and attached units to CG and staff.

(1) Plans utilization of MP company.

(2) Exercises operational control of MP company. Includes tactical, technical, or service operation or combination thereof. Does not include responsibility for supply, administration, or movement other than tactical maneuvering since they have not been specifically delegated to the PM by the CG.

c. Responsible for preparing and supervising MP training.

d. Plans and supervises following MP operations:

(1) Traffic control.

(2) Circulation control of individuals.

(3) Apprehension of personnel AWOL.

(4) Protection of property and individuals.

(5) Prevention and investigation of crime.

(Classification)

(Classification)

- (6) Temporary detention of military prisoners.
 - (7) PW operations.
 - (8) Civilian internees.
 - (9) MP participation in rear area security and area damage control activities.
 - e. Additional duties and functions, annex B. Omitted.
3. Assistant PM duties.
- a. Represents PM when PM is absent.
 - b. Staff supervision consistent with paragraph IIB2, above.
 - c. Responsible to PM for administration and operation of PM section.
 - d. Will be present at CP when PM is absent.
 - e. Additional duties, annex C. Omitted.
4. Criminal investigator duties.
- a. Reports to assistant PM.
 - b. Supervises assistant criminal investigator.
 - c. Assists the assistant PM in the CP as directed.
 - d. Conducts investigations and surveys.
 - e. Additional duties, annex D. Omitted.
5. Operations sergeant duties.
- a. Reports to assistant PM.
 - b. Responsible for erection, dismantling, and movement, of PM section, CP tent, and supplies.
 - c. Supervises all EM in PM section except assistant criminal investigator.
 - d. Maintains PM section situation and operations map.
 - e. Requires secret security clearance.
 - f. Additional duties, annex E. Omitted.
- C. Military Police Company.
- 1. Operational control by PM.
 - 2. Commanded by company commander who will—
 - a. Continually estimate the MP situation.
 - b. Use observation, patrols, liaison, and personal reconnaissance to maintain current operations and to prepare for future operations.
 - c. Go where he can best control the action of his company as a whole at critical times and will be personally present where he can best influence action.
 - 3. Escort guard officer.
 - a. Commands company in absence of company commander.
 - b. In charge of company CP and maintains communications with the PM section and the division.
 - c. Assists or represents PM in liaison role at alternate CP or at support command CP.

(Classification)

(Classification)

- d. Coordinates activities of MP's at division PW collecting point.
 - e. Performs appropriate PW operations. See paragraph IVC7, below.
 - f. Supervises company training in PW and civilian internee policies, principles, and techniques.
4. Company commander will implement MP plans and make recommendations to PM concerning present or future operations.
 5. MP company SOP, annex F. Omitted.

III. INTELLIGENCE

- A. Prisoners of War, Captured Documents, and Materiel. All personnel assigned to MP company will receive orientation training on appropriate intelligence matters within 24 hours after assignment.
- B. PM section and MP company comply with Intelligence Annex.

IV. OPERATIONS

- A. Orders.
 1. Assistant PM coordinates traffic control plan with division highway traffic headquarters.
 2. Traffic control plan, when incorporated into the traffic circulation plan, will be issued as an annex to appropriate division operations or administrative order.
 3. Traffic controls, when not part of the traffic circulation plan, will be shown under appropriate portion, division administrative order or applicable administrative/logistic annexes to the division operations order.
 4. Straggler controls and disposition will be shown under appropriate portion (discipline, law and order), division administrative order or administrative/logistic annexes to the division operations order.
 5. PW collecting point location shown under appropriate portion, division administrative order or administrative/logistic annexes to the division operations order.
 6. Maximum use will be made of overlays, tables, and charts.
 7. MP company commander will issue standing orders to MP's regarding uniform, deportment, use of weapons, vehicles and radios.
 8. All officers assigned to the MP company will be placed on orders as summary court officers for the purpose of taking oaths.

(Classification)

(Classification)

B. Security. Comply with appropriate paragraph or annex, division SOP.

C. MP Operations.

1. MP company mission is to provide MP services to division.
2. Capabilities of MP company are set forth in TOE's. Time expended on additional duties, such as counter guerrilla operations, route reconnaissance, posting route signs, and other such duties is unpredictable and will reduce the company capabilities.
3. Employment of MP platoons. Normally, NCO's will be used in supervisory capacities and not placed on posts or patrols except in cases where MP commitments exceed company capabilities for short periods of time. Unit integrity will be maintained down to and including the squad.
 - a. In division area (EXCLUSIVE OF AREAS OCCUPIED COMMITTED BRIGADES).
 - (1) One platoon (plus or minus) for traffic control (TCP's and traffic patrols) and circulation control of individuals with TCP's acting as straggler control posts. Traffic patrols also enforce military laws, orders, and regulations and collect stragglers, AWOL's, and deserters.
 - (2) One platoon (plus or minus) for PW collecting point, temporary confinement facility, protecting individuals and property, and assisting in handling refugees and DP's.
 - b. In entire division area (INCLUDING SUPPORT TO COMMITTED BRIGADES AND TASK FORCE).
 - (1) One platoon (plus or minus) in support of or attached to a task force and/or one or more committed brigades. MP's will not be attached except in those cases where MP's cannot be directed by and/or supported by the MP company. When attached, MP's will be commanded by and will be the responsibility of the brigade or task force commander.
 - (2) One platoon (plus or minus) in the division area; exclusive of the brigade or task force areas where MP's are operating.
4. Traffic control. The nuclear battlefield increases the requirement for efficient ground movement. The characteristics of such movements are speed, control, security, and secrecy. To reduce vulnerability to nuclear fires, the division may use multiple predesignated routes.

(Classification)

(Classification)

- a. Traffic control planning. Division transportation section is the nuclear of division highway traffic headquarters, with representation from PM, ordnance, engineer, signal, and other sections. Division transportation section coordinates air and ground transportation requirements with capabilities and assists G3 and G4 in preparing transportation and highway regulation plans, orders, and reports. Establishes necessary coordination with ground transport moving into and out of the division area. Highway regulation plans are implemented by the PM and engineer in the field of traffic control.
- b. Efficient use of MP's.
 - (1) Movement on multiple routes during periods of poor visibility and the existence of major intersections along routes increase control problems. Aircraft organic to division should be used for assistance in traffic control and transportation of traffic control personnel.
 - (2) Minimum essential traffic control posts should be used both when the division is in position and when moving. In conjunction with ground control posts and consistent with tactical security requirements, aerial and mobile ground control teams can be used with each column. Aerial control teams can land and control situations until relieved by a ground control team.
 - (3) There may be frequent situations where the MP service requirements exceed the capabilities of the MP company. If so, the company will require augmentation from higher headquarters. PM will notify company commander of ETA of platoon(s). Company commander will make necessary arrangements of administration, mess, supply, and training of platoon(s).
 - (4) Locations to be most frequently considered as TCP sites are at junction of MSR and road leading to division main CP; at points leading into the division area from the rear; at critical points on lateral roads in rear of committed brigades; at entrances to division supply installations (need not be on 24-hour basis); in villages; at defiles; at critical or damaged bridges; and at intersections where traffic conflicts.
 - (5) Each TCP and/or traffic patrol will have a radio equipped vehicle.
 - (6) Traffic patrols and fixed TCP's also aid in such

(Classification)

(Classification)

duties as straggler control and enforcement of laws, orders, and regulations.

- (7) Traffic patrols operate between all fixed TCP's and straggler control posts in order to maintain contact. Patrol routes vary according to the road net, the tactical situation, and command requirements. Duties are essentially the same on all patrols and include road and brigade reconnaissance; operation of mobile checkpoints; convoy escort; installation and repair of temporary traffic and directional signs; emergency traffic control duties at scenes of traffic accidents; providing road and traffic information; keeping refugees and DP's off MSR's; investigating offenses and incidents; enforcing orders and regulations; straggler control; relaying current operational instructions; and other military police duties.

c. Motor movements.

- (1) MP company enforces movement restrictions outlined in appropriate paragraph, division SOP.
- (2) PM section will provide MP company with march schedule and/or convoy movements as necessary.

5. Control of individuals. This paragraph sets forth the PM implementation of the appropriate portion (discipline, law, and order), division SOP.

- a. The purpose of control of circulation of individuals is to insure the unimpeded flow of traffic; apprehend stragglers and absentees; apprehend sympathizers and agents of enemy forces; protect property from theft or sabotage; restrict entry to buildings or localities; and enforce necessary restrictions upon local inhabitants, refugees, and DP's.
- b. Control of refugees and DP's will be coordinated with CA by PM section. MP's will keep civilians off MSR's by directing them to other roads.
- c. The PM section will recommend straggler control measures to G1 as the situation changes. Straggler control will be exercised along main routes, principal defiles, and other natural lines of drift. PM will coordinate with adjacent divisions.
- d. All MP posts and patrols will have straggler control as an additional duty.
- e. A straggler collecting point will be located at a key intersection along the division MSR. Sufficient MP personnel

(Classification)

(Classification)

will be assigned to this point to operate the collecting point and also a TCP.

- (1) Current straggler list will be maintained.
- (2) Record will be maintained showing name; rank; service number; unit; time, place, and reason for apprehension; identity of apprehending MP; and disposition of straggler.
- (3) Stragglers on whom immediate disposition cannot be made will be delivered to the temporary confinement facility at the MP company for disposition.
- (4) MP company will arrange for disposition of personnel assigned to division or attached units. PM section arranges disposition of personnel from other than division.

f. Types of stragglers.

- (1) Personnel who are genuinely lost. Directed to unit or delivered to collecting point for transportation as appropriate.
- (2) Deliberate. Personnel running away through fear or other cause. From forward area unit, will be returned to their units with weapons. From rear units, returned to their units under guard without weapons.
- (3) Personnel who cannot be held responsible for their actions by reason of their dazed or shocked condition. Treated for shock and evacuated through medical channels.
- (4) Wounded personnel. Delivered to nearest medical installation.

g. All stragglers searched immediately upon apprehension.

h. MP spot check vehicles not in convoy for stragglers.

i. DAC's, ARC personnel, civilian technicians, and accredited press representatives will have appropriate DA identification. Division identification will permit entry into division restricted areas.

6. Temporary confinement facility.

- a. Escort guard officer, MP company, will be in charge of facility in addition to his other duties.
- b. A temporary confinement facility will be maintained as required for the temporary detention of stragglers pending disposition, tried and sentenced prisoners awaiting transfer to the army stockade, and untried accused personnel who by reason of their actions or conditions are beyond the guarding capabilities of their parent unit.

(Classification)

(Classification)

- c. Facility will be located near the MP company to facilitate mess, transportation, and supply. Construction material as required will be provided by engineers through PM section.
- d. Sentenced personnel will be accepted in the facility upon the written order of the courts-martial convening authority (or his authorized representative) stating name, grade, service number, organization of prisoner, offense of which convicted, and the sentence. In a static situation, such personnel will be delivered to the army stockade immediately upon notification of approval of sentence and receipt of special orders directing transfer. In a mobile situation, confinement in the division area should be held to an absolute minimum with emphasis placed on transfer to the army stockade as expeditiously as possible.
- e. Pretrial confinement will be resorted to only to insure the presence of the accused at the trial, or when for other reasons, such as the seriousness of the offense or threatened violence, confinement is considered essential. Persons for whom pretrial confinement is justified will be accepted by the facility on written order of the accused's commanding officer. The order will state the accused's name, grade, organization, offense charged, and the reason for pretrial confinement. The order will bear the concurrence of the Staff Judge Advocate or a statement that he has concurred in the confinement.

7. Prisoners of war.

- a. One central PW collecting point normally will be established in the division area. It will be in defilade, near water, near the MSR, and far enough to the rear to avoid minor fluctuations of the line and reduce escape risks. Forward collecting points are established with committed brigades as required.
- b. The escort guard officer, MP company, will be in charge of the PW collecting point.
- c. OIC PW collecting point is authorized direct communication with QM, engineer, surgeon, division highway traffic headquarters, and chaplain in PW matters.
- d. PW's delivered to forward collecting point by capturing troops.
- e. Army is responsible for evacuation of PW's from division.
- f. Corps responsible for evacuation only when operating independently. Corps may request selected PW's for interrogation. Such requests from corps will be coordinated with the PM section.

(Classification)

(Classification)

- g. Processing at collecting point:
 - (1) Search, count, and segregate.
 - (2) Interrogation by IPW team.
 - (3) Issue PW tags.
 - (4) Receipt for PW and property to delivering guards.
 - (5) Medical treatment, hospitalization as required.
 - (6) Food and cigarettes only after interrogation.
 - (7) Issue clothing and bedding as required.
- h. PW's will be permitted to retain:
 - (1) Metal helmets.
 - (2) Protective masks and like articles issued for personal protection.
 - (3) Effects and articles used for clothing and feeding.
 - (4) Identification tags or cards; badge of rank, nationality, and decoration; and articles having a personal or sentimental value.
- i. PW valuables and personal effects forwarded with PW guard when evacuated from division.
- j. Death of PW's. Certificate of Death, DA Form 2669-R, will be forwarded in quadruplicate with one copy of DD Form 551, Record of Internment, to AG.

V. LOGISTICS

A. General. Omitted.

B. Materiel and Services.

1. Supply.

a. Class I.

- (1) PM section rations at mess provided by division headquarters company.
- (2) CO, MP company, coordinates mess schedule with CO, division headquarters company, to include rations for stragglers and military prisoners detained in temporary confinement facilities.
- (3) OIC PW collecting point authorized direct communication with QM for class I for PW's and army escort guards.

b. Classes II and IV.

- (1) PM section obtain through MP company.
- (2) MP company obtains from division support command.
- (3) OIC temporary confinement facility and PW collecting point authorized requisition from division support command.

c. Class III. From division support command.

d. Class V. Division support command.

(Classification)

(Classification)

- e. Water. All water except that secured from engineer WSP will be considered contaminated. Water from nearest WSP.
 - f. Salvage. MP company deliver to division salvage collecting point.
 - g. Captured materiel. Omitted.
 - h. Air delivery. Omitted.
2. Transportation.
- a. For additional transportation, coordination will be by assistant PM.
 - b. Division has organic fixed wing aircraft and helicopters. Request for aircraft for traffic control or aerial reconnaissance will be made to the division highway traffic headquarters through the assistant PM.
3. Service. Omitted.

VI. PERSONNEL

A. Strengths.

- 1. See organizational chart, annex A. Omitted.
- 2. Request for additional MP support will be initiated by PM section and coordinated with G3 section.
- 3. Traffic control posts and straggler collecting points combined to maximum. Minimum of two MP's on duty at each TCP and traffic patrol at all times.
- 4. Three-man teams will be used as planning factor to establish and operate one-man security posts on a 24-hour continuing basis.
- 5. A minimum of one squad will be assigned to the temporary confinement facility when the facility operates.
- 6. A minimum of one squad will be assigned to the PW collecting point when operating.
- 7. NCO's will not normally be used in other than supervisory positions.
- 8. Unit integrity will be maintained down to and including the squad whenever possible.
- 9. MP company will maintain a reserve by alerting personnel assigned to the next regularly scheduled relief.

B. Replacements.

- 1. PM section will requisition TOE personnel through MP company.
- 2. MP company will requisition individual replacements through division headquarters company.

(Classification)

(Classification)

C. Discipline, Law, and Order.

1. Personnel awaiting trial remain with their units while in combat except as stated in paragraph IVC6e, above.
2. In occupied areas, MP's have authority and jurisdiction and are empowered to enforce laws and rules and to make apprehensions within division area and without regard to nationality, service, or civilian status and to utilize any U.S. military personnel to assist them.
3. In nonoccupied countries, status of forces agreement applies.

D. Medical/Evacuation and Hospitalization.

1. Stragglers. See paragraph IVC5f(3) and (4), above.
2. PW's. Sick or wounded PW's delivered to nearest medical installation for evacuation.

E. Prisoners of War. See paragraph IVC7, above.

F. Recovery and Disposition. Omitted.

G. Morale and Personnel Services. Omitted.

H. Personnel Procedures. Omitted.

I. Interior Management. Omitted.

J. Civilian Personnel. Omitted.

K. Miscellaneous. Omitted.

VII. CIVIL AFFAIRS: Omitted.

VIII. COMMAND AND SIGNAL.

A. Command Posts.

1. PM section normally located at division main CP or per division SOP.
2. MP company normally located with division headquarters company at division main CP or per division SOP.

B. Liaison. Omitted.

C. Signal Communications. Omitted.

D. Reports.

1. Criminal investigators will submit reports in accordance with current regulations.
2. DA Form 19-20, Provost Marshal Activities, will be prepared for forwarding to army by the fifth day of the month following the reported period.
3. Report of stragglers apprehended will be forwarded to AG. Report of stragglers apprehended, annex G. Omitted.
4. Daily PW status report to G1, annex H. Omitted.

(Classification)

(Classification)

5. Troop movement report to division highway traffic headquarters as required.
 6. MP company submit daily to PM:
 - a. Personnel, vehicle, and radio status report, annex I. Omitted.
 - b. Stragglers apprehended, annex G. Omitted.
 - c. PW status, annex H. Omitted.
 - d. Military Prisoners, annex J. Omitted.
- E. Orders and Distribution.
1. PM section and MP company receives distribution of one copy each, division operation orders and the administrative orders, if published.
 2. This SOP is required reading for all newly assigned officers, warrant officers, and enlisted men in grades of E-6 and above.
 3. Distribution to PM section and MP company.

WHITE
Lt Col
PM

ANNEXES: Omitted

DISTRIBUTION:

OFFICIAL:

/s/Black
BLACK
Asst PM

(Classification)

APPENDIX III

PROVOST MARSHAL STAFF COORDINATION IN FUNCTIONAL AREAS OF MILITARY POLICE SUPPORT

Functional area	Staff member																				
		G1	G2	G3	G4	G5	AG	Avn Off	Cml Off	Engr	HQ Comdt	IG	Sig Off	SJA	Surgeon	Chaplain	FAO	AD Rep	ASA Rep	INTC Rep	
Traffic Control -----		--	--	X	X	O	--	O	--	O	--	--	O								
Security of Division CP -----		X	O	O	O	O	--	--	O	--	X	--	O						O	O	--
Prisoners of War -----		X	X	O	X	--	O	--	--	O	--	--	--	O	O	O	--	--	--	--	O
Crime Prevention -----		X	O	--	O	O	--	--	--	--	O	O	--	X	--	O	O	--	--	O	O
Criminal Investigations -----		X	O	--	--	O	O	--	--	--	O	O	--	X	--	O	O	--	--	O	O
Circulation Control of Individuals -----		X	O	X	O	X	O	--	--	O	O	--	O	O	--	--	--	--	--	O	O
Physical Security -----		--	X	X	X	--	--	--	--	O	O	--	O	--	O	--	--	--	O	O	O
Discipline, Law, and Order -----		X	O	O	O	O	O	--	--	--	O	O	--	X	--	O					
Military Prisoners -----		X	--	--	--	--	O	--	--	O	O	O	--	X	O	O					
Riot Control -----		X	O	O	O	X	--	O	O	O	--	O	O	X	O	--					
Rear Area Security -----		--	O	X	O	O	--	O	O	O	O	--	O	--	O	--					
Area Damage Control -----		O	O	O	X	O	--	O	O	O	O	--	O	--	O	--	--	--	--	O	O
Aid to Civil Authorities -----		O	O	O	O	X	--	O	O	O	--	O	O	X	O	--	--	--	--	O	O
Civilian Internees -----		X	X	O	X	X	O				--	--	--	O	O	O	--	--	--	--	O

LEGEND: X—Primary Coordination
O—Secondary Coordination

APPENDIX IV

STANAG 2067 (2D EDITION), 24 MARCH 1960,
REVISED 20 JULY 1962, STRAGGLER CONTROL (SOLOG 68)

NATO—UNCLASSIFIED

DETAILS OF AGREEMENT

GENERAL

1. The NATO Armed Forces agree to standardize the procedure to be used for the effective control and prompt disposal of stragglers.

DEFINITION

2. Stragglers are defined as military personnel who, in action, become separated from their units without proper authority.

CATEGORIES OF STRAGGLERS

3. Stragglers normally fall into the following categories:

- a. Any man who has genuinely lost his way and is definitely attempting to rejoin his unit.
- b. Any person who cannot be held responsible for his action by reason of his dazed or shocked condition.
- c. Any person running away through fear or other cause.
- d. Wounded personnel.

It is important that these be recognized and individuals handled accordingly.

METHOD OF ESTABLISHING CONTROL

4. Straggler posts should be established as required and connected, if necessary, by patrols. Where stragglers of more than one nationality are expected, arrangements must be made for combined posts and patrols, i.e.: those containing persons of each of the nations involved who have the necessary rank and authority to deal with stragglers belonging to their own national forces.

STRAGGLER POSTS

5. a. A straggler post may include other functions, such as: an information and/or check-post.
- b. Posts within the division should normally be sited near the rear of brigades/regiments/combat groups, however, suitability of the ground will influence the exact siting of the post. Posts should be situated astride a main route and if possible close to a medical installation in the chain of evacuation. All posts should remain

NATO—UNCLASSIFIED

laterally in touch at all times by maintaining contact with patrols, thus ensuring that as many stragglers as possible are apprehended.

- c. Straggler posts in the forward area should be equipped with:
 - (1) Map and location statement.
 - (2) First aid box.
 - (3) Rations and facilities for making hot beverages.

DISPOSAL OF STRAGGLERS

6. The object is to return all stragglers to their units as soon as possible.
 - a. Those in Category a. should be directed to their units at once.
 - b. Those in Category b. should be treated for shock and evacuated through medical channels.
 - c. Those in Category c. should be returned to their units under escort.
 - d. Those in Category d. should be directed or conveyed to the nearest medical installation in the chain of evacuation.
 - e. Stragglers must be screened, and any straggler who appears to be of security interest should be passed to security personnel for further interrogation.

RECORDS

7. The following particulars should be kept at each straggler post of all personnel dealt with at the post; and periodic reports submitted to the appropriate headquarters.
 - a. Number, Rank, Name and Nationality.
 - b. Unit.
 - c. Whether armed or not.
 - d. Where and when found.
 - e. Place: to which he was going.
 - f. Place: from which he was coming.
 - g. Why he left his unit, etc., and when he was last with it.
 - h. Disposition.
 - i. Any other additional information.

INDEX

	Paragraph	Page		Paragraph	Page
Advisory assistance	69	37	Crossings, river	28	17
Aid to civil authorities	47	26	Curfew	64a(6)	35
Airborne operations	32	18	Damage control, area	26	17
Airmobile operations	33	18	Defiles	29	17
Amphibious operations	34	19	Desert operations	31a	18
Arctic operations	31c	18	Disasters	47	26
Area damage control	26	17	Discipline, law, and order	45	25
Assistant criminal investigator	14	10	Division provost marshal	6, 12	6, 9
Assistant division provost marshal	13	9	Elements, subordinate	19	11
Augmentation	5b, 51	5, 27	Employment, planning	21	13
Border control	64d	36	Escort guard officer	16	10
Brigade area operations	24	16	Evacuation, prisoners of war	42, 49	23, 27
Brigade, separate	10, 35	8, 19	Fortified or built-up areas	27	17
Built-up areas	27	17	Functions. (See Support functions.)		
Capabilities	5	4	Headquarters company	7	6
Checkpoints	64a(5)	35	Internal defense:		
Circulation control	43	25	Advisory assistance	69	37
Civil defense	47	26	Assistant division provost marshal	13	9
Civil disturbances	47	26	Capabilities and limitations	5	4
Collection, prisoners of war	41	23	Communications	60	33
Combat, organization	22	14	Company commander	15	10
Combined patrols	64c	36	Criminal investigators	14	10
Command and control	19	11	Curfew	64a(6)	35
Command and staff	11	9	Detainee collection	8b(4)	6
Command post security	39	22	Discipline, law, and order	45b	25
Communications:			Employment	20, 36b,	13, 20,
Civil police systems	59	33	61	34	
Commercial systems	58	33	Escort guard officer	16	10
Messenger	55	33	Internal security	64	34
Radio	53	23	Military civic action	68	37
Sound	57	33	Military police platoon	8, 17	6, 10
Village radio nets	60	33	Military police roles	62	34
Visual	56	33	Operations	64	34
Wire	54	29	Organization	22, 63	14, 34
Company commander	15	10	Planning	21	13
Company headquarters	7	6	Police intelligence	64b	35
Confinement	46	26	Population and resources control	64a-e	34, 36
Control:			Population surveillance	64e	36
Area damage	26	17	Port and border control	64d	36
Circulation	43	25	Prisoners	41i	23
Command	19	11	Provost marshal	6	6
Population and resources	64	34	Psychological operations	64d	36
Port and border	64a(4)	35	Riot control	64a(3)	35
Refugee	37d	22	Screening and documenting	64a(1)(d)	34, 35
Riot	47, 64a(3)	26, 35	Security platoon leader	18	11
Traffic	37	20	Separate brigades	10b, 35b,	8, 19,
Coordination, staff	app III	53	51	27	
Cordon and search operations	64a(2)	35	Tactical operations	64c	36
Crime, prevention and investigation	44	25	Traffic control	37	20
Criminal investigation	44, 50	25, 27	Training	70	37
Criminal investigator	14	10			

	Paragraph	Page		Paragraph	Page
Internal security	64	34	Organization— <i>Continued</i>		
Investigation, criminal	44, 50	25, 27	Provost marshal section	6	6
Investigators, criminal	14	10	Security platoon	9	7
Joint patrols	64a (3)	35	Separate brigades	10	8
Jungle operations	31b	18	Passage of lines	30	17
Law and order	45	25	Physical security	38	22
Leader, platoon	17, 18	10, 11	Planning considerations	21	13
Lines, passage	30	17	Platoon leaders	17, 18	10, 11
Messenger	55	33	Platoons	8, 9	6, 7
Military civic action	68	37	Police intelligence	64b	35
Military police platoon	8	6	Prevention, crime	44	25
Military police platoon leader	17	10	Prisoners, military	46	26
Military prisoners	46	26	Prisoners of war:		
Mission	4	4	Collection	40, 41	22, 23
Mountain operations	31c	18	Evacuation	42, 49	23, 27
Nondivisional support	48-51, 63	27, 34	Psychological operations	21f, 37d, 43c, 64d	13, 22, 25, 36
Officer, escort guard	16	10	Radio, communications	53	28
Operational control	12a	9	Rear area security	25	16
Operations:			Refugees	37d	22
Airborne	32	18	River crossings	28	17
Airmobile	33	18	Screening and documenting	64a (1) (d)	34, 35
Amphibious	34	19	Security:		
Arctic	31c	18	Command post	39	22
Area damage control	26	17	Internal	64a	34
Augmentation	5b, 51	5, 27	Physical	38	22
Brigade area	24	16	Platoon	9	7
Brigade, separate	35	19	Platoon leader	18	11
Built-up areas	27	17	Rear area	25	16
Circulation control	43	25	Separate brigades	10, 35	8, 19
Collection, prisoners of war	41	23	Sound, communications	57	33
Command post security	39	22	Staff coordination	app III	53
Communications	52-60	28-33	Standing operating procedures	app II	41
Criminal investigation	14, 44, 50	10, 25, 27	Straggler control	43a, app IV	25, 54
Crossings, river	28	17	Subordinate elements	19	11
Defiles	29	17	Support functions:		
Desert	31a	18	Amphibious	34	19
Division rear area	23	14	Arctic	31c	18
Evacuation, prisoners of war	42, 49	23, 27	Area damage control	26	17
Fortified areas	27	17	Built-up areas	27	17
Jungle	31b	18	Circulation control	43	25
Law and order	45	25	Command post security	39	22
Messenger	55	33	Confinement	46	26
Military prisoners	46	26	Internal defense	61-70	34, 37
Mountain	31c	18	Criminal investigation	14, 44, 50	10, 25, 27
Passage of lines	30	17	Defiles	29	17
Physical security	38	22	Desert	31a	18
Planning	21	13	Fortified areas	27	17
Prisoners of war	40-42, 49	27	Jungle	31b	18
Rear area security	25	16	Law and order	45	25
River crossings	28	17	Military prisoners	46	26
Separate brigade	10, 35	19	Mountain	31c	18
Traffic control	37	20	Passage of lines	30	17
Organization:			Physical security	38	22
Combat	22	14	Prisoners of war	40-42, 49	22, 23, 27
Company headquarters	7	6	Rear area security	25	16
Internal defense	61	34			
Military police platoon	8	6			

	Paragraph	Page		Paragraph	Page
Support functions— <i>Continued</i>			Traffic control	37	20
River crossings	28	17	Village radio nets	60	33
Temporary detention	46	26	Visual, communications	56	33
Traffic control	58, 59	33	Wire, communications	54	29
Systems, communications	58, 59	33			

By Order of the Secretary of the Army:

Official:

J. C. LAMBERT,
*Major General, United States Army,
The Adjutant General.*

HAROLD K. JOHNSON,
*General, United States Army,
Chief of Staff.*

Distribution:

To be distributed in accordance with DA Form 12-11 requirements for Military Police Support—Field Army.

☆ U.S. Government Printing Office: 1966—250-502/5269A