

# FM 19-1

DEPARTMENT OF THE ARMY FIELD MANUAL

w/CHANGES

# MILITARY POLICE SUPPORT

## ARMY DIVISIONS AND SEPARATE BRIGADES

LIBRARY  
U. S. ARMY WAR COLLEGE  
AUTHORITY FILE  
JUL 19 1971  
COPY

This copy is a reprint which includes current pages from Change 1



HEADQUARTERS, DEPARTMENT OF THE ARMY  
JUNE 1969

FIELD MANUAL }  
 No. 19-1 }

DEPARTMENT OF THE ARMY  
 HEADQUARTERS  
 WASHINGTON, D.C., 10 June 1969

**MILITARY POLICE SUPPORT**  
**ARMY DIVISIONS AND SEPARATE BRIGADES**

	Paragraphs	Page
CHAPTER		
1. INTRODUCTION .....	1-1-1-3	1-1
2. ORGANIZATION .....	2-1-2-7	2-1
3. COMMAND AND STAFF RELATIONSHIPS .....	3-1-3-10	3-1
4. EMPLOYMENT .....	4-1-4-20	4-1
5. DIVISIONAL SUPPORT FUNCTIONS .....	5-1-5-13	5-1
6. NONDIVISIONAL SUPPORT FUNCTIONS .....	6-1-6-4	6-1
7. COMMUNICATIONS .....	7-1-7-10	7-1
8. SUPPORT OF STABILITY OPERATIONS .....	8-1-8-10	8-1
9. SUPPORT OF RIVERINE OPERATIONS .....	9-1-9-5	9-1
APPENDIX		
A. REFERENCES .....		A-1
B. TYPE DIVISION PROVOST MARSHAL SECTION STANDING OPERATING PROCEDURE .....		B-1
C. PROVOST MARSHAL STAFF COORDINATION IN FUNCTIONAL AREAS OF MILITARY POLICE SUPPORT .....		C-1
D. USE OF NONAIR DEFENSE WEAPONS AGAINST AIRCRAFT .....		D-1
INDEX .....		

\*This manual supersedes FM 19-1, 21 July 1966.

## CHAPTER 1

### INTRODUCTION

---

#### 1-1. Purpose

This manual provides guidance for military police operations within the various types of Army divisions and separate brigades. It discusses employment of the division military police company, the military police platoon of a separate brigade, and supporting nondivisional or nonbrigade military police units.

#### 1-2. Scope

*a.* This manual describes the organization and provides specific doctrine on the functions and operations of the military police company of the armored, infantry, mechanized infantry, airborne, or airmobile division, and, with appropriate organizational adjustments, the separate brigade. Generally, the doctrine herein is applicable to all five types of divisions; the parts of the text which pertain exclusively to one type division are so specified.

★*b.* The material presented is applicable to general war, to include a consideration of nuclear and chemical operations; limited war; and cold war, to include stability operations.

*c.* This manual is in consonance with the following International Standardization Agreements which are identified by type of agreement and number at the beginning of the appropriate chapter in the manual: NATO STANAG 2012, SEATO SEASTAG 2012, ABCA SOLOG 119, Military Route (Itineraire) Signing; NATO STANAG 2024, SEATO SEASTAG 2024, ABCA SOLOG 55, Military Road Traffic Lighting Regulations; NATO STANAG 2025, SEATO SEA-

STAG 2025, Basic Military Road Traffic Regulations; NATO STANAG 2044, CENTO STANAG 2044, SEATO SEASTAG 2044, ABCA SOLOG 22, Standard Procedures for Dealing with Prisoners of War; NATO STANAG 2067, CENTO STANAG 2067, SEATO SEASTAG 2067, ABCA SOLOG 68, Straggler Control; NATO STANAG 2151, CENTO STANAG 2151, Road Network—Definitions and Characteristics; and NATO STANAG 2154, CENTO STANAG 2154, SEATO SEASTAG 2154, Definitions and Regulations for Military Motor Movements by Road.

*d.* Users of this manual are encouraged to submit recommended changes and comments to improve the manual. Comments should be keyed to the specific page, paragraph, and line of the text in which the change is recommended. Reasons will be provided for each comment to insure understanding and complete evaluation. Comments should be prepared using DA Form 2028 (Recommended Changes to Publications) and forwarded direct to the Commanding Officer, U.S. Army Combat Developments Command Military Police Agency, Fort Gordon, Georgia 30905. Originators of proposed changes which would constitute a significant modification of approved Army doctrine may send an information copy, through command channels, to the Commanding General, U.S. Army Combat Developments Command, Fort Belvoir, Virginia 22060, to facilitate review and followup.

#### 1-3. References

Publications pertaining to subjects within the scope of this manual are listed in appendix A.

## CHAPTER 2 ORGANIZATION

### 2-1. Mission and Organization

★*a.* Organic military police provide combat support to the division or separate brigade and execute missions by providing circulation control, physical security, and command post security; collecting, securing, and evacuating prisoners of war; preventing and investigating crime; enforcing discipline, law and order; administering the confinement of military prisoners; as directed, aiding civil authorities during civil disturbances and disasters; and assisting in division rear area security and damage control operations. Individuals of this unit can fight as infantrymen when required. The unit is capable of participating in the coordinated defense of installations against hostile ground attacks.

*b.* The company organization is shown in figure 2-1. TOE 19-27, TOE 19-67, and TOE 19-87 contain personnel and equipment details.

### 2-2. Capabilities and Limitations

*a.* The company has the capability of performing the following functions:

(1) Provide a provost marshal section for the division headquarters.

(2) Perform traffic control operations within the division area.

★(3) Provide limited physical security for division command posts.

(4) Operate a division central prisoner of war (PW) collecting point and division forward PW collecting points.

(5) Evacuate PW from division forward PW collecting points to the division central PW collecting point.

(6) Operate a civilian internee collecting point.

(7) Operate a division straggler collecting point and special straggler control posts.

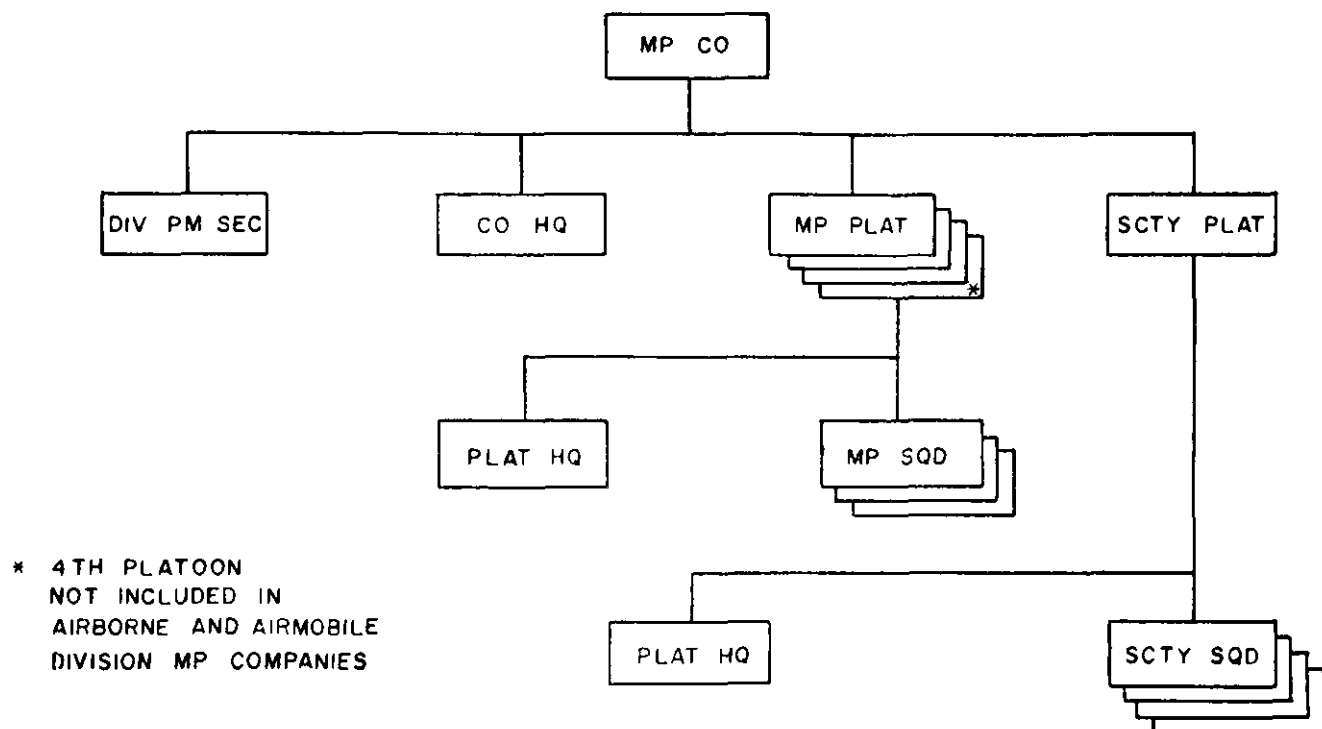


Figure 2-1. Organization of a division military police company.

## C 1, FM 19-1

(8) Operate a division temporary confinement facility for United States military prisoners.

(9) Prevent and investigate crime within the division area.

(10) Conduct police intelligence operations.

(11) Assist in refuge control and displacement.

(12) Assist in division rear area security and area damage control missions.

(13) Provide convoy escort and security, route security, escort and security for priority and sensitive ground movements and shipments, and escort and security for designated property, facilities, installations, persons, aerial shipments.

(14) Enforce military laws, orders, and regulations in conjunction with other operations.

(15) Control circulation of individuals within the division area in conjunction with tactical operations, rear area security, and stability operations.

(16) Enforce military and civil laws, orders, and regulations in conjunction with stability operations and programs pursuant to an agreement with the host country. (Martial law may not be proclaimed in these situations; hence, civil law must be upheld.)

(17) Assist in internal security activities of stability operations by engaging in—

(a) Normal police activities.

(b) Support of psychological operations (PSYOP) teams.

(c) Populace and resources control.

(d) Intelligence collection.

(e) House or village cordon and search operations.

(18) Provide advisory assistance, to include training, advice, and assistance to host country military and civil police in stability operations.

(19) Provide representation in the area coordination centers and limited local and internal ground security for the area coordination centers in stability operations as required.

b. The company has the following organizational and operational limitations:

(1) In order to perform all of the functions outlined in a above, it will often be necessary to rely on augmentation from nondivisional military police resources. Such additional support will be required in situations where division and separate brigade military police perform not only their normal military police functions but, concurrently, participate in stability operations, such as internal security operations, police intelligence op-

erations, psychological operations, military civic action programs, and advisory assistance.

(2) The unit is dependent for mess upon the division headquarters company, a supported unit, other designated unit, or augmentation teams of TOE 29-500.

(3) The unit is 100 percent mobile in the armored, infantry, or mechanized division. However, augmentation of its organic motor transportation is required in order to attain 100 percent ground mobility in the airborne or airmobile division.

(4) This unit is dependent upon higher headquarters or a supported unit for resupply of all classes of supply.

(5) The unit depends upon the division administration company for personnel administration.

(6) The unit must depend upon a supporting DS maintenance unit of the division support command for direct support maintenance services.

## 2-2. Division Provost Marshal Section

a. The division provost marshal section operates in the division headquarters or such other place designated in the division standing operating procedure. The section includes the provost marshal and a supporting staff of commissioned officers, warrant officers, noncommissioned officers and enlisted personnel. The organic divisional capability for criminal investigation support is also contained in this section. The section is responsible for establishing and maintaining administrative records, reports, and documentation for military police operations in the division. A type division provost marshal section SOP is contained in appendix B.

b. The capabilities of the section include the following:

(1) Provide the staff planning, direction, supervision, and coordination of military police support operations within the division.

(2) Arrange and coordinate the nondivisional military police support required by the division.

(3) Investigate crime within the division area.

(4) Provide military police representation in the division traffic headquarters on a continuous basis.

(5) Coordinate with allied forces or host country military and civil police. This applies when the division provost marshal has coordination responsibility for all police functions within the division area.

c. The capability of the section to provide criminal investigation support is limited and requires close coordination for nondivisional support by field army or communications zone military police criminal investigation units.

#### 2-4. Company Headquarters

The company headquarters is located at or near the division main command post or such other place designated in the division SOP. It provides the personnel and equipment for the command, operation, administration (except personnel), supply, and maintenance of the company.

#### 2-5. Military Police Platoon

a. Each of the military police platoons is composed of a platoon headquarters and three military police squads.

b. The military police platoons perform the following functions:

- (1) Establish motor patrols or traffic control posts.
- (2) Operate PW collecting points.
- (3) Evacuate PW from division forward collecting points to the division central collecting point.

(4) Operate insurgent detainee collecting points. (In stability operations, there may be persons who must be detailed pending further investigation.)

(5) Operate one of each of the following field installations as required:

(a) A division straggler collecting point and special straggler control posts.

(b) A temporary confinement facility for U.S. military prisoners.

(6) Control circulation of individuals and enforce military laws, orders, and regulations in conjunction with other operations.

(7) Provide convoy escort and security.

(8) Provide route security.

(9) Provide assistance in refugee control and displacement.

★(10) Provide assistance to host country forces in stability operations, to include—

(a) Populace and resources control (static and mobile checkpoints).

(b) Control of civil disturbances.

(c) Cordon and search operations.

(d) Raids and patrols.

#### 2-6. Security Platoon

★The security platoon is organized into a platoon

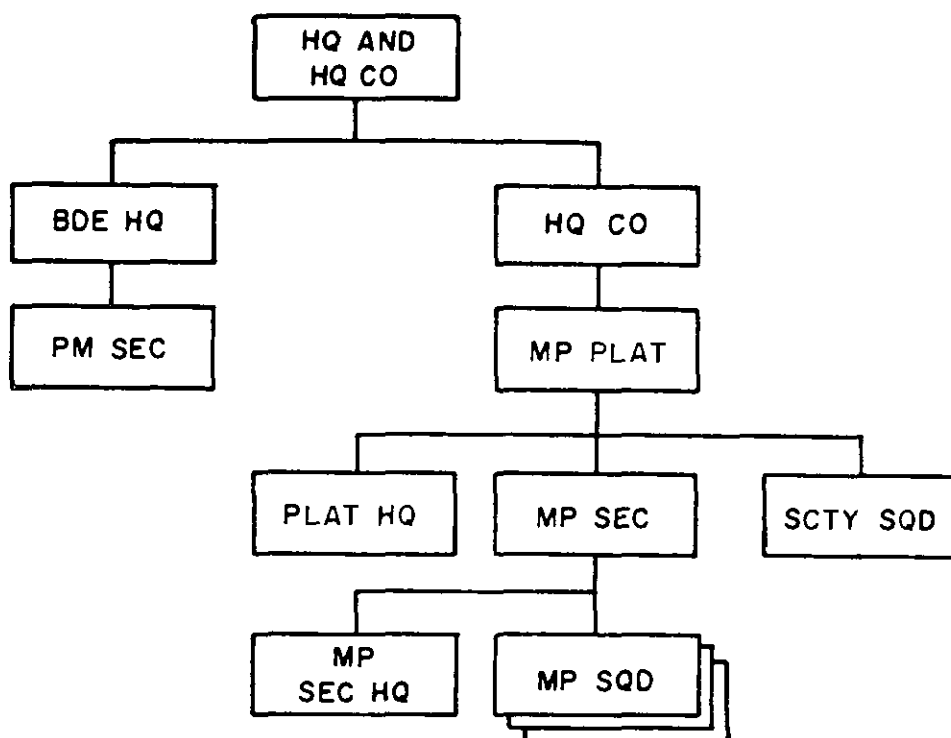


Figure 2-2. Type organization of a separate brigade military police element.

**C 1, FM 19-1**

headquarters and four security squads. It has the following capabilities:

*a.* Provide limited physical security for division command posts.

*b.* Establish and operate security posts on a continuing basis when the four security squads are involved in no other duties.

*c.* Provide movement security for the division commander, assistant division commanders, or other designated individuals.

**2-7. Military Police Support in Separate Brigades**

*a.* Military police organizational support within

separate brigades is provided by a provost marshal section and a military police platoon, which are organic to the brigade headquarters and headquarters company (fig. 2-2). The number of personnel and the items of equipment in the elements will vary depending on the kind of separate brigade that is being supported; e.g., armored, infantry, mechanized infantry, or airborne. See TOE 7-102, TOE 17-102, TOE 37-102, and TOE 57-102 for further details.

★*b.* When the separate brigade is conducting stability operations, the requirement for military police support may increase beyond the capability of one platoon. Provisions for augmentation must be included in contingency planning.

## CHAPTER 3

### COMMAND AND STAFF RELATIONSHIPS

---

#### 3-1. General

The division military police company is directly subordinate to division headquarters. It provides military police support within the division area.

#### 3-2. Division Provost Marshal

*a.* The division provost marshal exercises operational control over the company and attached military police units. He directs, supervises, and inspects military police in the performance of their duties. He advises the division commander and staff on military police activities by coordinating and submitting plans and recommendations to accomplish the mission set forth in paragraph 2-1*a.*

*b.* The division provost marshal must maintain close coordination with members of the division staff to insure that military police support plans and operations are responsive, flexible, and fully integrated into the overall operational plans and activities of the division. On matters concerning the support of operations and the provision of traffic control for tactical and combat support ground movements, he works closely with the G3. With respect to traffic control for logistical and administrative ground movements, he coordinates with the G4. On prisoner of war and civilian internee matters, he coordinates with the G1, the G2, and the G5, as appropriate. On refugee control and displacement and on populace and resources control, close coordination is required between the G5/S5 and the division provost marshal. For example, a graphic portrayal of some coordination requirements of the division provost marshal in several functional areas of military police support is contained in appendix C.

#### 3-3. Assistant Division Provost Marshal

★The assistant division provost marshal assists the division provost marshal in the discharge of his special staff responsibilities. He directly supervises the performance of subordinates in the provost marshal section. He inspects and evalu-

ates their activities and promotes efficiency and uniformity in military police operations and compliance with prescribed orders and policy. He also assists in planning for and supervision of military police participation in such activities as the control of civil disturbances, advisory assistance, internal security, police intelligence, military civic action, and psychological operations programs in stability operations. In addition, he supervises the collection and compilation of necessary facts to make an evaluation of military police operational trends which may be used as a basis for presenting an analysis of the state of discipline, law and order; crime prevention; and other related functions. He directly supervises the provost marshal representative at the division traffic headquarters. He assumes the functions of the division provost marshal in the latter's absence.

#### 3-4. Criminal Investigator and Assistant Criminal Investigators

The primary duty of accredited military police investigators is to conduct investigations of alleged criminal offenses within the provost marshal's area of responsibility as specified in AR 195-10. The conduct of an investigation includes the responsibility for the preparation of a report of investigation, including all information relevant to the proof or disproof of an alleged crime or offense. The investigators also conduct crime prevention surveys to evaluate the effectiveness of preventive measures. In addition, they may be assigned responsibility for the security and escort of very important persons. They coordinate with appropriate military and civil agencies on matters involving jurisdictional authority, exchange of information, and planning for joint investigative efforts. Criminal investigators may also supervise the flow of police intelligence within the provost marshal section.

#### 3-5. Company Commander

The company commander commands the company and attached personnel and units. He directs the



**C 1, FM 19-1**

administration, transportation, supply, training, and security of the unit and the establishment of an effective military police communications net. He coordinates company administration, supply, equipment, employment and maintenance, and personnel management with appropriate divisional agencies.

**3-6. Escort Guard Officer**

★In TOE 19-27 and TOE 19-87 division military police companies, the escort guard officer assists the division provost marshal in his responsibilities for the evacuation, guarding, proper treatment, and temporary administration of the prisoners of war, civilian internees, and military prisoners taken by the command. He coordinates the activities of military policemen at the division PW/civilian internee collecting points. He coordinates with the traffic headquarters and field army military police elements for the efficient and expeditious evacuation of PW/civilian internees. He may assist the division provost marshal to establish proper liaison with adjacent U.S. or host country armed forces and civil police agencies. He may also assist in the preparation of instruction and conduct of training of the military police company in the principles and techniques of PW/civilian internee operations.

**3-7. Military Police Platoon Leader**

The military police platoon leader directs and supervises the military police platoon in the execution of missions assigned by the company commander. He directs the employment, technical operation, administration, training, and security of the platoon and any attached U.S. and host country military police, individuals, or units. He is responsible for the duty performance of all platoon members. When the military police platoon operates in direct support of a brigade, the platoon leader directs military police activities within the brigade area of responsibility as required by the brigade commander. When a brigade is conducting an independent operation, the military police platoon normally is attached and the platoon leader may act as the brigade provost marshal.

**3-8. Security Platoon Leader**

The security platoon leader directs and supervises the security platoon in the execution of its as-

signed mission. He assists the division provost marshal in the coordination of the command post internal security, the disposition and management of security platoon resources, and the supervision and inspection of military police activities. He supervises the administration, operation, and training of this platoon. In stability operations, he coordinates with host country military and civil police in providing limited ground security for the area coordination centers.

**3-9. Command and Control of Subordinate Elements**

*a.* The type and degree of control necessary to maintain effective support vary with the mission and the unit being supported and its mission. However, platoon elements of the military police company are best employed when assigned a support mission on an area basis. This means that military police provide support to the force as a whole rather than to a specific unit. In such instances, command and control of the company and its subordinate elements normally will remain with the company commander who is under the operational control of the division provost marshal.

*b.* In certain situations, elements of the company may be attached to a maneuver element. However, it should be recognized that through attachment the company loses its responsiveness to the division as a whole and reduces the ability of the division provost marshal to structure his support to meet specific mission requirements. Attachment should be considered only when the company is unable to provide direct logistical and administrative assistance to the subordinate element due to distances involved or speed of the operation. Attachment to the supported unit provides the gaining commander maximum control. He assigns the mission to the attached unit and is also responsible for its logistical and administrative support functions.

**3-10. Maintenance Support**

*a.* The company commander is responsible for insuring that all vehicles and other equipment issued to his unit are in a serviceable and combat ready condition and are properly used, maintained, and serviced. The necessity and importance of organizational maintenance must be emphasized under all operating conditions.

*b.* Inspections are the means by which the commander ascertains the specific assignment of maintenance responsibility for such equipment and the efficient accomplishment or organizational maintenance functions. Command supervision of these efforts is also necessary to assure that corrective actions on deficiencies noted during inspections have been accomplished.

*c.* All records associated with maintenance performance must be kept in an accurate and timely

fashion in compliance with TM 38-750 and other pertinent guidance.

*d.* Company maintenance personnel, in conjunction with the supply section, keep repair parts in their prescribed load list at established levels to facilitate performance of organizational maintenance. Direct support maintenance, repair parts support, and technical assistance service with respect to maintenance problems will be provided by the supported DS maintenance unit of the division maintenance battalion.

## CHAPTER 4

### EMPLOYMENT

---

#### 4-1. General

★*a.* Military police support to a division is provided primarily by the organic military police company.

*b.* The company is an organic element of a division base common to all divisions and is organized to provide division-level military police support in both the division and brigade areas. In stability operations, it conducts internal security operations, training in civil disturbance operations, police intelligence operations, and psychological operations in conjunction with host country military and civil police. Command of the company is exercised by the company commander under the direction of and in accordance with instructions furnished by the division provost marshal.

★*c.* When required, the company can provide support to three committed combat brigades while maintaining support operations on an area basis in the division rear area. Augmentation of the company by military police combat support elements of the corps or field army or reallocation of available military police elements may be necessary when three combat brigades are supported. For example, major river-crossing operations, stability operations, and combat operations involving capture of a large number of PW may require additional military police platoons or company size elements from nondivisional military police organizations. If available, armored cars may be used in the various methods discussed in FM 19-4 to enhance military police operations.

*d.* The company may provide advisory personnel for the training and advising of host country military and civil police.

#### 4-2. Planning and Considerations

The following factors and considerations have a direct bearing on the provision of adequate military police support and should be borne in mind in the planning for such support:

*a.* Primary emphasis is placed on the support of

tactical operations when they are the primary mission of the command.

*b.* Maximum flexibility and responsiveness are possible when the entire company is employed under centralized control.

*c.* The security platoon is designed to provide limited local and internal ground security for the division main command post and for the division tactical command post, when required.

*d.* The military police platoon is designed to support a combat brigade. However, the military police element operating in support of a brigade may be structured as required, based upon the mission, enemy capability, terrain, and the troops available. Squads may be attached or detached to structure the force required.

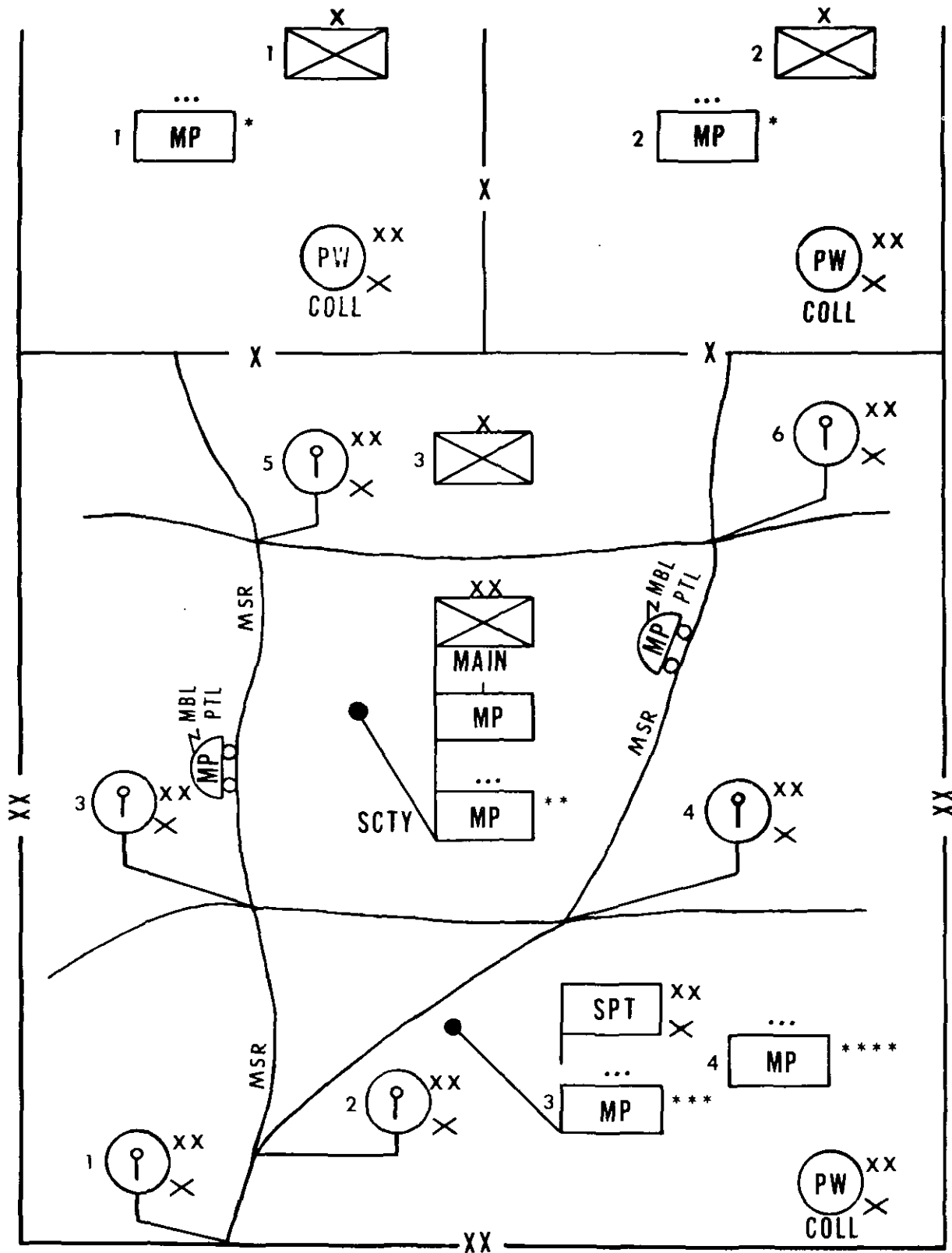
★*e.* The company can operate a division prisoner of war collecting point and forward collecting points in support of three committed brigades but may require augmentation from nondivisional resources.

*f.* Psychological operations teams may support military police operations within the division area and should be considered during planning. Leaflets, posters, loudspeakers, and radio broadcasts can be used to inform the civilian population of the rules and regulations pertaining to curfews, blackouts, travel restrictions, and identification documents. Plans and programs of this type are coordinated through the G5/S5.

★*g.* Augmentation requirements are coordinated by the division provost marshal with the G3.

#### 4-3. Organization for Combat

*a.* The allocation and employment of elements of the company are dictated by the mission, situation, and time-distance factors. In addition, special considerations in stability operations include U.S./host country agreements, strength, quality, and state of training of host country military and civil police and the attitude of the population.



- LEGEND:**
- \* MP Platoon (+) supporting committed brigades.
  - \*\* SCTY Platoon provides CP security.
  - \*\*\* MP Platoon providing area support.
  - \*\*\*\* MP Platoon engaged in PW operations.

Figure 4-1. Type deployment of division military police elements.

*b.* Military police perform their missions, activities, and functions on an area basis. It is normal to have a military police platoon operating in the area of, or in support of, each committed brigade and to have the other military police elements operating within the division rear area.

*c.* A type deployment of military police elements in support of division operations involving two committed brigades is shown in figure 4-1.

#### 4-4. Division Rear Area Operations

★The company, less those elements supporting committed brigades, provides military police support on an area basis throughout the division rear area. The particular elements of the company involved vary depending upon the tactical disposition of the combat elements of the division.

*a.* The division provost marshal plans, coordinates, directs, and supervises military police support operations throughout the division. Within the division rear area, military police support operations are primarily carried out by the military police company commander, who directly supervises the activities of and assigned missions to the security platoon and the retained military police platoon.

★*b.* Military police support is provided to all units in the division rear area.

★*c.* Military police support for the division headquarters includes limited physical security for division command posts, traffic control within and in the vicinity of the headquarters, circulation control of individuals, prevention and investigation of crime, and law enforcement.

★*d.* At least one military police platoon is employed to provide support on an area basis within the division rear area. This platoon evacuates selected enemy PW from the division forward PW collecting points in the brigade area to the division rear area and operates the following field installations when required:

- (1) A central PW collecting point.
- (2) A civilian internee collecting point.
- (3) A straggler collecting point and special straggler control posts.
- (4) A temporary confinement facility for U.S. military prisoners.

★*e.* The security platoon is employed to provide physical security for division command posts. Special attention is given to security for such key portions of the command post as the tactical operations center (TOC), the division war room, the

signal center, and the division commander's quarters. The security platoon also operates the dismount point at the entrance to the command post. Schematic disposition of the security platoon in securing a type division main command post is depicted in figure 4-2. This illustration is not intended to show exact physical location of persons, installations, or facilities within the division main command post. Care should be taken to conceal locations of the dismount point, communications antennas, and activities that may reveal the command post to enemy intelligence observations. For details on command post composition, see FM 61-100 and FM 101-10-1.

*f.* Military police support of the division support command normally is provided from division military police assets as a part of the overall military police support plan. If it becomes necessary to attach military police elements to the support command, augmentation may be required.

*g.* Military police elements normally are not attached to or placed in direct support of the division reserve. Support of the reserve is provided by the military police elements performing area-wide support operations. Special requirements of the reserve for military police support, such as traffic control, are coordinated with the division provost marshal. Plans for commitment of the reserve must consider the provision of military police support and arrangements for augmentation of the company if capabilities are exceeded. Counterattack plans must contain military police traffic control plans to facilitate the timely movement of the counterattack force.

#### 4-5. Brigade Area Operations

*a.* Elements of the company usually are placed in support of each committed brigade. The size of the support force usually is one military police platoon, but may vary depending upon brigade requirements. The military police element usually is placed in support but may be attached to the brigade depending upon the situation. The platoon leader or senior military policeman provides advice to the brigade commander and his staff on military police support matters and maintains close coordination with the brigade staff, units, and other division elements operating in the brigade area.

*b.* A military police element providing support to a committed brigade in limited or general war performs support functions within any of the functional areas of military police support. Nor-

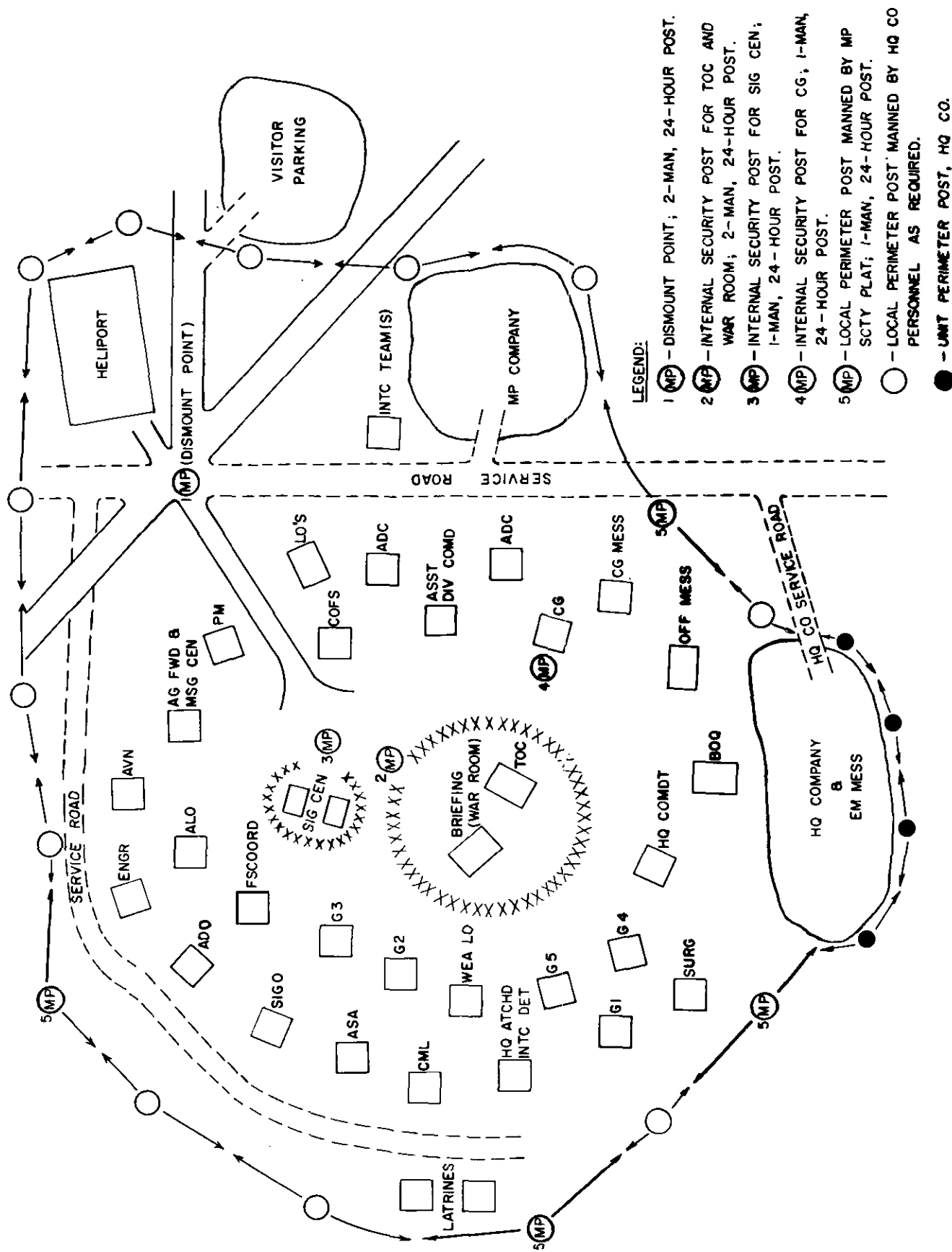


Figure 4-2. Type disposition of security platoon for command post security.

mally, the primary effort is devoted to ground traffic control operations to facilitate the movement of combat, combat support, and combat service support elements in keeping with the plan of maneuver. Traffic control operations that are flexible and responsive to changes in the situation contribute to the rapid dispersal of units and individuals from brigade assembly areas and insure orderly movement of both motor vehicle and foot traffic within the brigade rear area. In addition to traffic control operations, military police perform such other functions as may be required (para 2-5b).

#### **4-6. Rear Area Security Operations**

a. The company supports and participates in rear area security operations. Because of the nature of their functions and their employment on an area basis, military police elements are frequently first to discover the presence of enemy guerrillas, irregular forces, saboteurs, subversionists, and espionage agents. Additionally, military police elements are used as information collecting agencies in rear area security operations. The capability of military police elements to combat guerrillas and other hostile forces is limited because of dispersal and deployment of their small units. Military police patrols, however, may effectively engage and destroy small enemy raiding parties, roadblock teams, or sabotage, and harassment parties. Military police employment in rear area security is integrated into the overall division rear area security plan.

b. In stability operations, military police patrols, roadblocks, checkpoints, and raids may be used when operating in conjunction with host country military or civil police or intelligence personnel to capture, counter, intercept, or disrupt infiltrators, subversionists, espionage agents, guerrillas, airborne forces, and saboteurs.

#### **4-7. Area Damage Control Operations**

Whenever the tactical situation permits, military police elements participate in area damage control activities. The principal functions performed by military police in support of such activities are traffic control, circulation control of individuals, crime prevention, and physical security of installations and facilities. When required and properly equipped and trained in accordance with local contingency plans, military police can also operate chemical detection and identification equipment and perform radiological monitoring of personnel and vehicles. In addition, they may be directed to

assume responsibility for surveillance and control of contaminated areas by establishing roadblocks, rerouting traffic, and excluding personnel from the areas.

#### **4-8. Operations in Fortified or Built-Up Areas**

★Primary emphasis is placed on military police traffic control and populace and resources control functions when a division is employed against fortified or built-up areas. The use of nuclear and chemical weapons in such a situation will greatly increase and compound the problems of personnel circulation control by dispersing individuals and units over a wider area. Augmentation of the company or the assignment of combat units may be required to accomplish adequate refugee and other circulation control measures. In addition, it may be necessary to augment military police with armored units to facilitate security of vital installations within urban areas. For details on the conduct of operations in fortified and built-up areas, see FM 31-50.

#### **4-9. River-Crossing Operations**

Military police support in river-crossing operations is provided in the manner discussed in this manual and FM 31-60. The company is employed under centralized control and is principally concerned with traffic control, straggler control, removal or diversion of refugees, and relieving capturing troops of prisoners of war at and in the vicinity of crossing sites. Emphasis is directed to problems connected with preventing the massing of vehicles and individuals and to relieving undue congestion in the area. Every effort is made to conceal any of these concentrations from the enemy and to disperse them as soon as possible in order to reduce the attractiveness of the target. For planning aspects, see FM 19-25 for a discussion of traffic control techniques and procedures and FM 19-40 for handling prisoners of war during river crossings.

#### **4-10. Defile Operations**

When ground passage of a defile is necessary in the conduct of operations of the division, every effort must be made to pass all movements through the defile in the shortest possible time and to insure that concentrations of troops and vehicles are accomplished away from the immediate vicinity of the defile. Because movement is restricted, a defile offers the enemy an ideal target for the maximum disruption of military opera-

## C 1, FM 19-1

tions. Military police support may consist of a military policeman at each end of the defile with a motor patrol circulating through the defile and the surrounding area. See FM 19-25 for further guidance concerning defile operations.

#### 4-11. Offensive Operations

★*a.* Control of military police support in offensive operations is flexible. Centralized control by the division provost marshal is the normal method of employment. However, control may be decentralized and elements of the company may be attached to supported units when combat elements are widely separated from division base. The provost marshal insures that the operations of the company are coordinated to make maximum use of the capabilities of all platoon elements by assigning tasks and supervising the execution of missions. He is vitally concerned with the movement of the division, with the handling of prisoners of war, with the prevention of straggling, and with the control of civilians in the vicinity of military installations, units, or routes. His planning must provide for adequate military police support to facilitate movement of attacking forces. During the advance, he continually analyzes the tactical situation. Based on the latest developments, he makes recommendations concerning shifts of personnel and alters support as required.

★*b.* Principal military police effort in any offensive operation includes traffic control, evacuation of prisoners of war and civilian internees, straggler control, and protection of command elements. Emphasis is placed on—

- (1) Conducting route and traffic control reconnaissance.
- (2) Posting temporary traffic signs.
- (3) Insuring rapid passage of movements through defiles.
- (4) Assisting in the orderly conduct of passage of lines and relief in place.
- (5) Promoting light discipline and proper use of night vision devices.
- (6) Furnishing route and unit information upon request.
- (7) Collecting and evacuating prisoners of war and civilian internees promptly from capturing troops.

(8) Providing personal security for the division commander and physical security for critical installations.

★(9) Enforcing safety procedures if nuclear or chemical munitions are used.

*c.* FM 61-100 contains further details on division tactics during offensive operations.

#### 4-12. Defensive Operations

*a.* Control of military police support in defensive operations is less flexible than in offensive operations. In the defense, the company normally operates under division control. The division provost marshal coordinates with other staff officers to insure the adequacy of the traffic control plan and overlay.

*b.* The greater part of military police effort must be devoted to planning and enforcing traffic control measures. PW normally are not as great a problem as they are in offensive operations and one central PW collecting point usually is sufficient.

*c.* For additional information on division tactics during defensive operations, see FM 61-100.

#### 4-13. Retrograde Operations

*a.* Control of military police support in retrograde operations is centralized for better control of limited resources and must insure the orderly movement of vehicles, personnel, and equipment. This can be accomplished by use of military police where they can render maximum assistance to combat elements; e.g., assisting in route and area reconnaissance, particularly for movement after dark; posting temporary route signs; assisting in controlling movement of refugees; and augmentation of division communications.

*b.* A further discussion of division tactics during retrograde operations is provided in FM 61-100.

#### 4-14. Relief Operations

Military police support functions involved in the conduct of the relief in place would be similar to those discussed below during a passage of lines.

#### 4-15. Operations During Passage of Lines

★*a.* The passage of lines usually is planned and



coordinated by corps headquarters. The detailed plans are made and coordinated between the divisions involved. Close coordination between the military police elements of the divisions involved is essential. Nondivisional military police support of the passage of lines must be carefully planned and must include provisions for adequate traffic control, coordination of communications between units concerned, evacuation of prisoners of war, circulation control of individuals, and adjustments in areas of responsibilities. See FM 61-100 for further guidance concerning planning procedures.

b. A unit passing through another unit's area must have priority for the use of routes to and within the area. Route priority is established by the headquarters directing the operation. Traffic control in the area is the responsibility of the unit in position until area responsibility is assumed by the unit passing through. The passing unit may augment the traffic control capability of the unit in position during the time of passage.

c. Within its capability, the unit being passed through furnishes military police support to the passing unit during and immediately after the passage. It may include collection of prisoners of war, refugee control and displacement, and traffic control.

#### 4-16. Operations in Special Terrain

a. *Desert.* Military police support of the division in desert operations is provided in essentially the same manner as discussed elsewhere in this manual and FM 31-25. Because of the possibility of greatly extended distances involved, however, control of military police operations may often be decentralized. Special communications equipment to facilitate extended control may be required to insure coordination and responsiveness in military police support operations. Military police support functions include, but are not limited to, traffic control, straggler control, handling prisoners of war, enforcement of blackout and camouflage regulations, and assisting in land navigation.

b. *Jungle.* Due to the nature of the terrain and limited ability to move units or supplies on the ground, the requirements of military police support may be increased during jungle operations. Security of disabled vehicles or aircraft will present increased difficulties. Circulation control of individuals will necessitate employment of greater numbers of military police in this function. Decentralized control of military police operations

will often be necessary to be responsive to requirements of maneuver elements for prisoner of war evacuation and criminal investigation. Physical security support for logistics operations may also require the further fragmentation of available military police support elements.

c. *Mountain and Arctic.* Decentralized control of military police support operations is characteristic in operations in mountain and arctic regions with increased emphasis on basic area operations. Physical security requirements may often be increased and traffic control operations may include erecting temporary traffic signs and controlling numerous defiles and similar obstacles.

#### 4-17. Airborne Operations

a. Planning for military police support of airborne operations is similar to that for support of other combat operations. However, additional considerations affect the development of detailed plans. These include procedures for marshaling, evacuation of PW's, disposition of stragglers, and the amount of traffic control required in the objective area.

b. Military police support in the marshaling and staging phases of airborne operations is provided under the centralized direction of the division provost marshal. Division military police provide internal security with particular attention to command posts and personnel identification. Marshaling plans must allow for marshaling of the airborne division military police company itself and for timely relief by nondivisional military police as elements of the company move out of the marshaling area. When civil law enforcement agencies are available to support marshaling activities, the division provost marshal coordinates their assistance.

c. The company normally is organized into three echelons for airborne operations. These echelons are attachments to the assault elements, the rear echelon, and the followup echelon.

d. Each assault element attachment enters the airhead early under the control of the element commander and consists of a team of military policemen sufficient for immediate operations in the assault area. The rear echelon is that part of the company which is left in the departure area. The remainder of the company enters the airhead with the division followup echelon at an appropriate time following the assault.

#### 4-18. Airmobile Operations

a. Planning for military police support of air-

FM 19-1

mobile operations is basically similar to that for airborne operations.

*b.* During assault operations, military police elements usually are attached to brigade assault forces. These elements move into the brigade base of operations with the logistical support element supporting the assault forces.

*c.* The company, less those elements attached to committed brigades, provides military police support throughout the division base of operations under division control.

*d.* Despite the reduced numbers of ground vehicles within the airmobile division, traffic control is a highly important aspect of military police support in both the division and brigade bases of operations. When the duration of the operations in a given area is extended, increased ground movements of supplies and equipment can be expected. Consequently, traffic control will become increasingly critical over the limited road net which would be established in the base of operations. Traffic control planning, as discussed in paragraph 5-2*c*, will be necessary to insure orderly and timely flow of this traffic.

*e.* As in airborne operations, the speed and surprise with which airmobile forces are deployed within the assigned area of operations generates a requirement for an efficient prisoner of war evacuation system to support the tactical operation. Prisoners of war present a considerable logistical burden in the various landing zones. Consequently, they are evacuated from the objective area as rapidly as possible. Returning empty aircraft may be used to evacuate prisoners or, if this is not practical, other aircraft may be requested specifically for such movement. Guards must accompany prisoners being evacuated by air-

craft to prevent prisoners seizing control of the aircraft or otherwise interfering with the flight.

#### **4-19. Amphibious Operations**

During an amphibious assault operation, military police land early in order to facilitate the movement of personnel and equipment away from the beach without delay. They enforce maximum dispersion, direct drivers and other personnel to roads and trails that exist or are outlined, conduct route and area reconnaissance, and post temporary route signs. They also perform other functions, such as collection and evacuation of prisoners of war, assist in refugee control and displacement, straggler control, and physical security.

#### **4-20. Separate Brigade Operations**

*a.* Within separate brigades, the military police platoon organic to the brigade headquarters company supports the brigade and the combat battalions. Platoon employment and operations are similar to those of the division military police company but on a reduced scale; e.g., military police squad (minus) deployed in support of each maneuver battalion. However, to provide the separate brigade with full military police support, augmentation must be made in such functions as criminal investigation, PW evacuation, and others depending upon the assigned mission.

*b.* Stability operations may be carried out by an element of the division, such as a separate brigade task force. Military police support requirements for the task force must be carefully evaluated, considering the size of the operations, the size of the task force, and the functions to be performed by the military police. For additional details of military police support in stability operations, see chapter 8.

## CHAPTER 5

## DIVISIONAL SUPPORT FUNCTIONS

(NATO STANAG 2012, 2024, 2025, 2044, 2067, 2151, 2154; CENTO STANAG 2044, 2067, 2151, 2154; SEATO SEASTAG 2012, 2024, 2025, 2044, 2067, 2154; ABCA SOLOG 22, 55, 68, 119.)

---

**5-1. General**

*a.* Division military police support includes the functions required to accomplish the mission contained in paragraph 2-1*a*.

*b.* Military police support functions are essentially the same throughout the various types of divisions. The differences that do exist are primarily in the degree of emphasis placed upon certain functions, rather than in the presence of distinctly different functions.

*c.* Stability operations create additional military police functions or emphasis, to include advisory assistance, coordination with host country military police and civil police in conjunction with the G5/S5, in internal security operations, training in civil disturbance operations, police intelligence operations, psychological operations, populace and resources control, movement security, and raid and search operations.

*d.* When the personnel requirements for these various functions are beyond the capabilities of the division military police company, additional military police can be requested from military police support organizations of corps or army.

**5-2. Traffic Control**

*a. General.* Military police traffic control operations are vital in combat operations. Efficient staff planning, coordination, and close cooperation of unit commanders and other agencies concerned are required for effective traffic control. The judicious use of military police is important in achieving uniform and effective traffic control. The basic principle is to exercise the minimum control necessary to permit the maximum flow of traffic consistent with safety. In the combat zone, emphasis is placed on uninterrupted movement. In the COMMZ and other areas outside the combat zone,

emphasis is placed on safe movement. In stability operations, emphasis is placed on circulation control of people, goods, and vehicles. Enforcing this control requires traffic control posts, roadblocks, searches, travel permits, cargo manifest checks, seizure of contraband, and detainment of suspect individuals. When employed as part of the North Atlantic Treaty Organization (NATO), Central Treaty Organization (CENTO), Southeast Asia Treaty Organization (SEATO), or American, British, Canadian, and Australian (ABCA) armed forces, U.S. military police provide traffic enforcement services in accordance with NATO STANAG 2024, SEATO SEASTAG 2024, ABCA SOLOG 55; NATO STANAG 2025, SEATO SEASTAG 2025; and NATO STANAG 2151, CENTO STANAG 2151; while the route signs erected are those prescribed in NATO STANAG 2012, SEATO SEASTAG 2012, ABCA 119; and the definitions and regulations for military motor movements by road that are used are those prescribed in NATO STANAG 2154, CENTO STANAG 2154, SEATO SEASTAG 2154. Details of these agreements, appropriate for U.S. military police use, are published in FM 19-25. See FM 19-25 for a detailed discussion of traffic control.

*b. Division Provost Marshal Responsibilities.* The division provost marshal supervises the company and coordinates all attached and supporting military police units and activities. He is responsible for formulating plans and procedures pertaining to traffic control and for staff supervision of the enforcement by military police of traffic regulations and orders. His specific responsibilities include recommending traffic control policies; traffic control reconnaissance; preparation of traffic control plans; reports pertaining to and emergency clearance of traffic obstructions and road damage; establishment and operation of

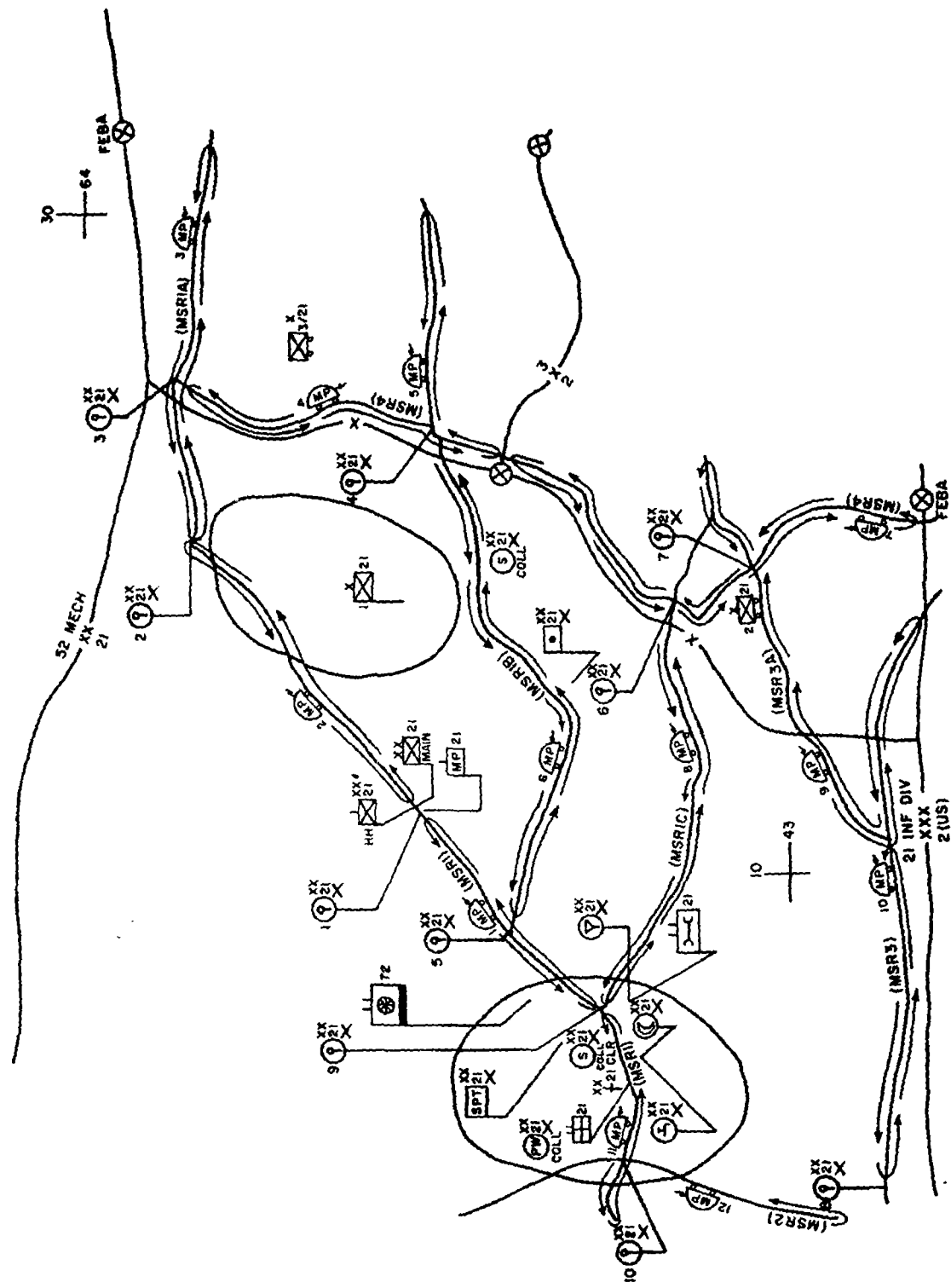


Figure 5-1. Overlay traffic control plan, division area of operations.

traffic control posts, escorts, patrols, and checkpoints; local rescheduling and rerouting in emergencies; preparation and posting of temporary traffic signs on temporary and permanent routes; coordination with allied forces or host country police and U.S. civil authorities; and liaison with other agencies concerned with traffic regulation and traffic control.

*c. Operations.* Traffic control operations are performed by the military police platoons of the company in accordance with the division traffic control plan prepared by the division provost marshal. This plan is based upon the highway regulation and traffic circulation plans prepared by the division traffic headquarters. The control of traffic is accomplished through the establishment and operation of traffic control posts (TCP) and traffic patrols. Figure 5-1 depicts schematically the traffic control operations in a type division area of operations. In stability operations, traffic control posts may conduct populace and resources control operations, in conjunction with host country authorities, by screening passengers and cargo. This is most effectively accomplished through combined operations with host country military and civil authorities. Considerations should be given to locating control posts at points that will afford maximum control and expeditious movement. Traffic control posts may be located near other security installations for mutual support.

### 5-3. Physical Security

★ Within the brigade and division rear areas (with the exception of the main command post complex), physical security operations are conducted by the military police platoons through the provision of radio-equipped motor patrols for the escort of critical or sensitive ground shipments and movements; escort parties for the air and ground movement of nuclear weapons and other sensitive shipments; patrols for route security; escort parties for convoy security; and a limited number of security personnel for the static protection of key installations and facilities, sensitive materiel, and designated persons. Temporary security for disabled aircraft and ground vehicles is also provided pending evacuation or the arrival of maintenance or salvage personnel capable of assuming the security task. Attended and unattended sensors and night vision aids are used to supplement existing divisional physical security measures. Emphasis must be placed on aggressive engagement of hostile aircraft with organic non-

air defense weapons. Guidance on the use of non-air defense weapons against enemy aircraft is contained in appendix D.

### 5-4. Security of Commands Posts

The headquarters commandant is responsible for security of the command post (FM 61-100). Internal security posts for the division main command post are manned by the security platoon of the military police company and are a staff responsibility of the provost marshal. He coordinates with the headquarters commandant to integrate the internal security plan with the overall plan for security and defense of the division main command post.

*a.* Stringent internal security measures for key installations to prevent the compromise of planned operations must be established and strictly enforced. Most of the security measures for the area surrounding the command post are executed by division headquarters and headquarters company and attached personnel. Extensive military police participation is required to enforce internal security measures.

*b.* Additional personnel, under the control of the headquarters commandant, are provided by division headquarters company and the staff sections of the division headquarters for employment on a coordinated basis in the event of ground attack.

*c.* Other troops may be attached to provide increased security.

★ *d.* Military police provide security by collocating surveillance, target acquisition, and night observation devices (STANO) and automatic weapons on terrain that affords suitable fields of fire and surveillance of likely avenues of enemy approach.

*e.* Critical facilities within the command post that require security and controlled access are the TOC, the division war room, the communications center, facilities for special intelligence, and the division commander's quarters.

*f.* The dismount point at the entrance to the division main command post is a key location normally manned by military police.

*g.* Depending on the tactical situation, military police may provide close-in security for the division commander within the division area of operations or as otherwise directed. Personnel selected for this duty must be qualified marksmen, above

C 1, FM 19-1

average in intelligence, and tactful and diplomatic.

h. Plans must be made to provide security for the division alternate command post when established.

i. When attached to a brigade, military police may be utilized to provide additional security to the brigade command post.

### 5-5. Prisoners of War

Military police PW operations contribute to the effectiveness of combat units by relieving them promptly of the responsibility of guarding and evacuating prisoners. Military police support within this area may be categorized as collection operations and evacuation operations. The participation of both division military police and non-divisional military police is required in this func-

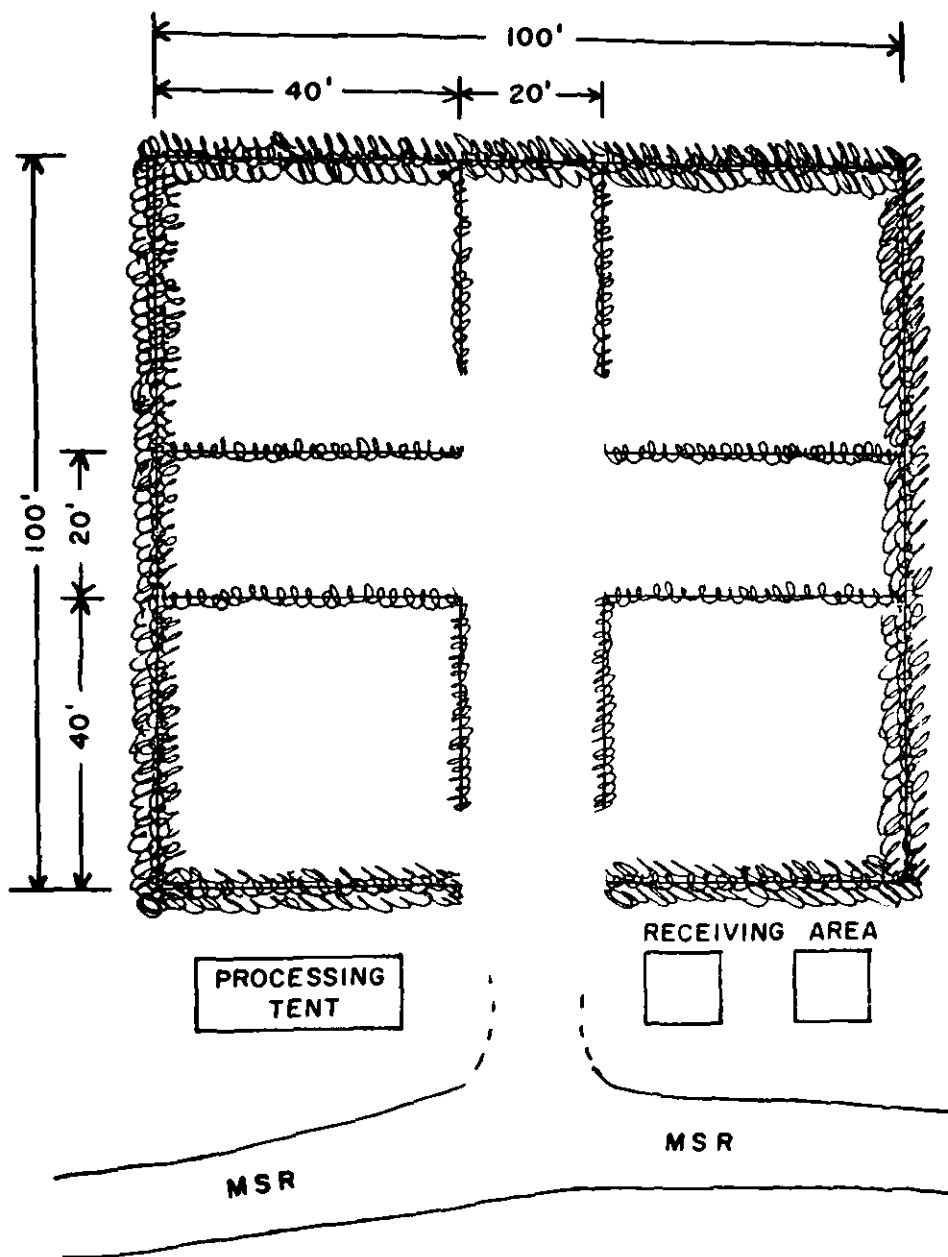


Figure 5-2. Type PW facility utilized at division collecting point.

tion. When employed as part of the NATO, CENTO, SEATO, or ABCA armed forces, U.S. military police perform prisoner of war operations in accordance with NATO STANAG 2044, CENTO STANAG 2044, SEATO SEASTAG 2044, and ABCA SOLOG 22, details of which are published in FM 19-40.

### 5-6. PW Collection Operations

★*a.* PW are disarmed, searched, segregated, and tagged before they are escorted by the capturing unit to the nearest PW collecting point. Segregation is maintained by rank and sex throughout the chain of evacuation. The military police company operates PW collecting points as required. One central PW collecting point may be sufficient to support division tactical operations; however, a forward collecting point usually is also established in the rear area of each committed brigade. These collecting points are operated by the military police platoon supporting the brigades.

*b.* Forward collecting points are located as close as possible to transportation terminals within the brigade rear areas or base camps to facilitate rapid evacuation, without causing undue interruption of tactical and combat service support operations. In airmobile operations, forward collecting points are located in the vicinity of the brigade primary heliports or airfields.

★*c.* The extent and scope of construction required for detention of PW at collecting points are determined by the number of PW captured, the availability of transportation for evacuation to the rear, and climatic factors. These collecting points may range from cleared open areas to prefabricated portable inclosures designed to hold PW. They normally are defiladed for protection from enemy ground observation and small arms fire.

*d.* In general, provisions should be made to provide suitable protective barriers arranged in compartments. Barbed wire or barbed wire concertina may be used. Buildings may be used if available. A suggested arrangement of an approximately 60-man PW collecting point is shown in figure 5-2. Protective barriers increase the effectiveness of guard personnel and compartments contribute to the efficiency of processing, segregating, and evacuation.

*e.* At the forward collecting points, military police receive PW from the combat troops. Receipts are given for the number of PW delivered and received to establish an accurate chain of

accountability. Any documents taken from PW by capturing troops are turned over to the military police.

*f.* PW are then given a thorough search for documents and weapons. A record is made of the types of documents taken and the identification of the PW from whom they were taken.

*g.* A PW tag is affixed to each prisoner who has not previously been tagged by capturing troops.

*h.* A prisoner of war interrogation team usually will be located at each forward collecting point. Military police cooperate and coordinate with such teams to facilitate the task of interrogation. This team will conduct a preliminary interrogation of all PW. Any documents previously found on a PW should accompany the PW to this interrogation. The interrogation team will designate those PW who are to undergo further interrogation at the division central PW collecting point. Those PW who are to undergo further interrogation are separated from the others.

★*i.* The military police platoon leader informs the escort guard officer at division of the number of PW to be evacuated and informs the supported brigade S1 of the number of PW processed. The platoon leader arranges food and medical attention for PW. Those PW requiring medical treatment are processed at the brigade medical facility. PW who must remain in medical facilities are evacuated through medical channels. Military police guards are provided for PW in divisional and brigade medical facilities when necessary.

*j.* In stability operations, those persons in custody may be nonmilitary but still of interest to host country military and civil police authorities. Close coordination with these host country agencies and the G5/S5 is required to determine proper disposition of insurgent prisoners, such as political activists, suspect political activists, secret cadre, supply personnel, messengers, willing and impressed persons, and common criminals. In any case, release of captured insurgents to host country authorities must be in consonance with U.S. policy and established accountability procedures in effect at the time.

### 5-7. PW Evacuation Operations

*a.* PW are evacuated from the division central collecting point by nondivisional military police. This normally is accomplished by elements of a military police escort guard company from the field army. In some situations, escort guards

**C 1, FM 19-1**

from the COMMZ may evacuate PW from the division. Selective evacuation from the forward collecting points to the division central collecting point is accomplished by the division military police platoon operating the central collecting point. Escort guard personnel from field army or COMMZ may deliver PW from forward areas when they pass by the division central collecting point on their way to the rear.

b. PW are evacuated from division as soon as practicable after all intelligence requirements of the division G2 are met.

c. Wounded PW are evacuated through medical channels.

d. FM 19-40 contains further details on the handling and treatment of PW.

**5-8. Circulation Control**

Military police patrols and personnel assigned to security and other posts perform circulation control activities in conjunction with their other activities.

a. Commanders at all levels are responsible for straggler control within their areas of responsibility. Military police provide assistance to commanders. Special straggler control posts may be established by the military police platoons at critical points along natural lines of drift within the brigade and division rear areas. Such posts perform the multiple functions of straggler control, traffic control, refugee control and displacement, populace and resources control, and control of the circulation of other individuals. When the situation dictates, a division straggler collecting point is established at a central location in the division rear area. As stragglers are assembled at the collecting point, they are screened and sorted for appropriate disposition. Maximum effort is made to return stragglers to their units. Wounded, injured, or sick stragglers are evacuated to the nearest medical treatment facility. Other appropriate disposition is made as arranged by the division provost marshal. When employed as part of the NATO, CENTO, SEATO, or ABCA armed forces, U.S. military police perform straggler control operations in accordance with NATO STANAG 2067, CENTO STANAG 2067, SEATO SEASTAG 2067, and ABCA SOLOG 68. See FM 19-40 for details.

b. Planning for the control of refugees, displaced persons, and indigenous civilians is conducted primarily by the G5/S5 in coordination

with the division provost marshal. Military police assist in the control of civilians to preclude their interference with tactical operations. Refugees may cause serious traffic control and movement problems. Refugee columns may clog roads and impose logistics burdens on local civilian and military installations. Coordination for mass movement of civilian refugees is a G5/S5 responsibility and such operations should be conducted under supervision of host country military and civil authorities or by civil affairs personnel. Military police may be used to assist in the control and screening of such movements. Refugees may be directed to assemble in designated evacuation centers or along designated routes. Psychological operations media, such as loudspeakers, handbills, posters, and leaflets, may be employed to direct the people and enhance control and movement of individuals or large groups as in the temporary evacuation of certain communities.

c. Psychological operations support tactical operations by informing civilians of evacuation requirements, movement orders, and certain operations. Military police must insure that their dealings with elements of the civilian population are conducted with the utmost propriety to avoid creating a feeling of hostility toward the military forces and, thus, making operations more difficult. Circulation control measures may require the limited use of travel permits, travel manifests, licensing or registration of all types of vehicles, and curfews. While strict measures may be necessary on occasion, they should be used only when required, as tactfully as possible, and in coordination with local authorities.

**5-9. Prevention and Investigation of Crime**

a. The prevention of crime is a responsibility of command at all echelons. Military police augment and extend the command crime prevention program in the course of day-to-day law enforcement activities. Specific operations in the area of crime prevention, such as crime prevention surveys and physical security surveys, are planned and supervised by the division provost marshal.

★b. Criminal investigators assigned to the military police company are capable of conducting criminal investigations directed by the provost marshal in accordance with AR 195-10 and FM 19-20.

**5-10. Discipline, Law and Order**

a. The maintenance of discipline and the enforcement of military laws, orders, and regula-



tions are functions of military police at all levels of command. In portions of the division rear area not assigned to a subordinate commander, military police normally are the only division element available to provide such support.

b. In stability operations, close coordination must be maintained with the G5/S5, host country military and civil police, and other agencies for the maintenance of discipline and the enforcement of military and civil laws and orders pursuant to agreements with the host country.

### 5-11. Military Prisoners

a. When required, the company operates a temporary confinement facility for U.S. military prisoners. Usually, this facility is located centrally and is operated by the military police platoon supporting the division rear area. Confinement of U.S. military prisoners normally is limited to temporary detention within the division rear area. Personnel awaiting trial usually are kept with their units and are placed in pretrial confinement only in those cases where physical restraint is necessary. Convicted military prisoners are retained within the division only for the length of time necessary to arrange for their evacuation to the confinement facility designated to support the division. See FM 19-60 for operation of confinement facilities.

★b. Escorts for the evacuation of military prisoners from the division are coordinated by the division provost marshal. Whenever possible, such evacuation should be accomplished by nondivisional military police.

### 5-12. Aid to Civil Authorities

During an emergency, a division may be directed to render assistance to the civilian community. The role military police can play is of great importance when planning military support requested by civil authorities experiencing a civil disturbance, disaster, or civil defense emergency. They may be used in general or in special assignments, such as—

#### a. Civil Disturbance.

- (1) Providing small task forces for independent missions.
- (2) Receiving detained persons.
- (3) Evacuating women, children, and others from the disturbance area.
- (4) Searching buildings.
- (5) Supporting and/or operating a detention facility for civilians, if required.

(6) Establishing and operating checkpoints and roadblocks.

(7) Patrolling and securing sensitive areas and critical facilities.

(8) Executing riot control formations against massed mobs.

(9) Conducting antisniping and antilooting operations and protecting firefighters.

(1) Establishing liaison with civil police.

(11) Performing other normal military police functions.

#### b. Disaster or Civil Defense

(1) Establishing emergency communications net.

(2) Preserving law and order.

(3) Providing traffic control.

(4) Controlling circulation of individuals and evacuating civilians.

(5) Operating a detention facility.

(6) Performing other normal military police functions.

c. *Guidance.* See FM 19-15 and FM 20-10 for techniques and procedures.

### 5-13. Rear Area Security and Area Damage Control

Predesignated security and/or damage control teams from the division military police company may be used for rear area security/damage control functions in the division area of responsibility. Because of their characteristic employment on an area basis, and their close operational relationship to area control and civil law enforcement agencies, military police motorized patrols can acquire early information regarding the activities of hostile elements within the division rear area. The rapid reaction capabilities afforded by such radio-equipped patrols also facilitate their integration into area damage control operations for the following activities:

a. Sealing off affected areas.

b. Controlling traffic and circulation of individuals, including stragglers and refugees.

c. Preventing criminal incidents, such as looting and pilferage.

d. Securing critical installations, facilities, and property.

e. Initial chemical detection and radiological monitoring while performing military police tasks and prior to dispatch of specifically designated monitoring teams to affected area.

## CHAPTER 6

## NONDIVISIONAL SUPPORT FUNCTIONS

**6-1. General**

A division requires continuing support by nondivisional military police organizations within several functional areas. In addition, augmentation of the organic military police capability may be necessary in certain types of operations. All nondivisional military police support provided to the division is coordinated by the division provost marshal with the commanders of the supporting military police companies, battalions, groups, or brigades through command channels.

**6-2. Evacuation of Prisoners of War**

The evacuation of PW from the division is carried out by military police escort guard companies from the field army or the COMMZ. Based on the anticipated capture rate, the division provost marshal arranges and coordinates in advance for the assistance of escort guard personnel to accomplish the evacuation mission.

**6-3. Criminal Investigation Support**

The limited capability of the division military police company to perform criminal investigations necessitates that a continuing provision be made for investigative support. This investigative support is provided by the corps or field army military police support organization, as required.

**6-4. Augmentation of the Division Military Police Company**

*a.* Typical situations when the company requires augmentation from nondivisional supporting military police units are—

(1) Extended commitment of three combat brigades of the division under circumstances requiring military police support elements for all three brigades.

(2) Extended independent employment of one or more brigade task forces under circumstances requiring military police support.

(3) A tactical situation involving an excessive daily PW capture rate over an extended period.

(4) A situation involving the control and movement of large numbers of local civilians, refugees, or displaced persons.

(5) Extensive employment of the unit in support of rear area security or area damage control operations.

★(6) Employment of the division in stability operations.

★(7) Extensive civil disturbance operations.

★(8) Additional tactical units are attached to the division.

★(9) The division is executing river-crossing operations.

*b.* Augmentation normally consists of one military police platoon, but may include an entire military police company or more in some tactical operations. The organization, equipment, and deployment of the companies of the corps military police battalion make them and their platoons readily compatible with division military police employment.

*c.* Normally, nondivisional military police elements are only attached to the company as necessary to accomplish the support mission. Attachment provides the division provost marshal the maximum operational control possible in relationship to all missions being performed. The company commander then becomes responsible for furnishing the administrative and logistical functions for the attached unit. Close coordination between the supported unit and the supporting corps military police battalion is of primary importance to insure adequate preparations of the augmenting unit. Since the division normally operates at a considerable distance from the source of nondivisional military police support, such considerations as equipment requirements of the augmenting unit, the exchange of SOP, compatibility of radio equipment, and any special training needs such as aircraft loading must be carefully planned and timed to avoid unnecessary interference with combat support operations.

## CHAPTER 7

## COMMUNICATIONS

**7-1. General**

Responsive military police support to the division is contingent upon the availability of adequate and reliable communications in the military police company. Wire and voice radio equipment is required for command and control of the company. It uses both organic communication equipment and various services provided by the division signal system. This system includes signal centers at each echelon of the division headquarters (main, alternate, and rear), the support command headquarters, and three signal centers in the forward area of the division zone. These centers provide message center, messenger, cryptographic, telephone, teletype, radio, and radio-wire integration service for all units in their vicinity, supplemental to organic facilities.

**7-2. Communication Security**

*a.* Regardless of organic means being used, communications security is a responsibility of command. Communications security includes all measures taken to deny the enemy or other unauthorized personnel information that might be derived from communications. The company commander must establish and, through active supervision, maintain a positive program for communications security in his unit. It is also the responsibility of all military personnel to develop a positive approach to communications security, to include the application of correct security and authentication procedures and strict radio discipline.

*b.* Physical communications security is the safeguarding of communications personnel, equipment, and associated communications security devices from unauthorized access and from physical loss. Each net control operations must be physically secure, since this will enable radio operators to use and handle information and equipment without fear of compromise. The unit SOP should contain specific instructions concerning the preparation, dissemination, handling, and disposition of such classified documents as the standing signal

instructions (SSI) and signal operation instructions (SOI) items.

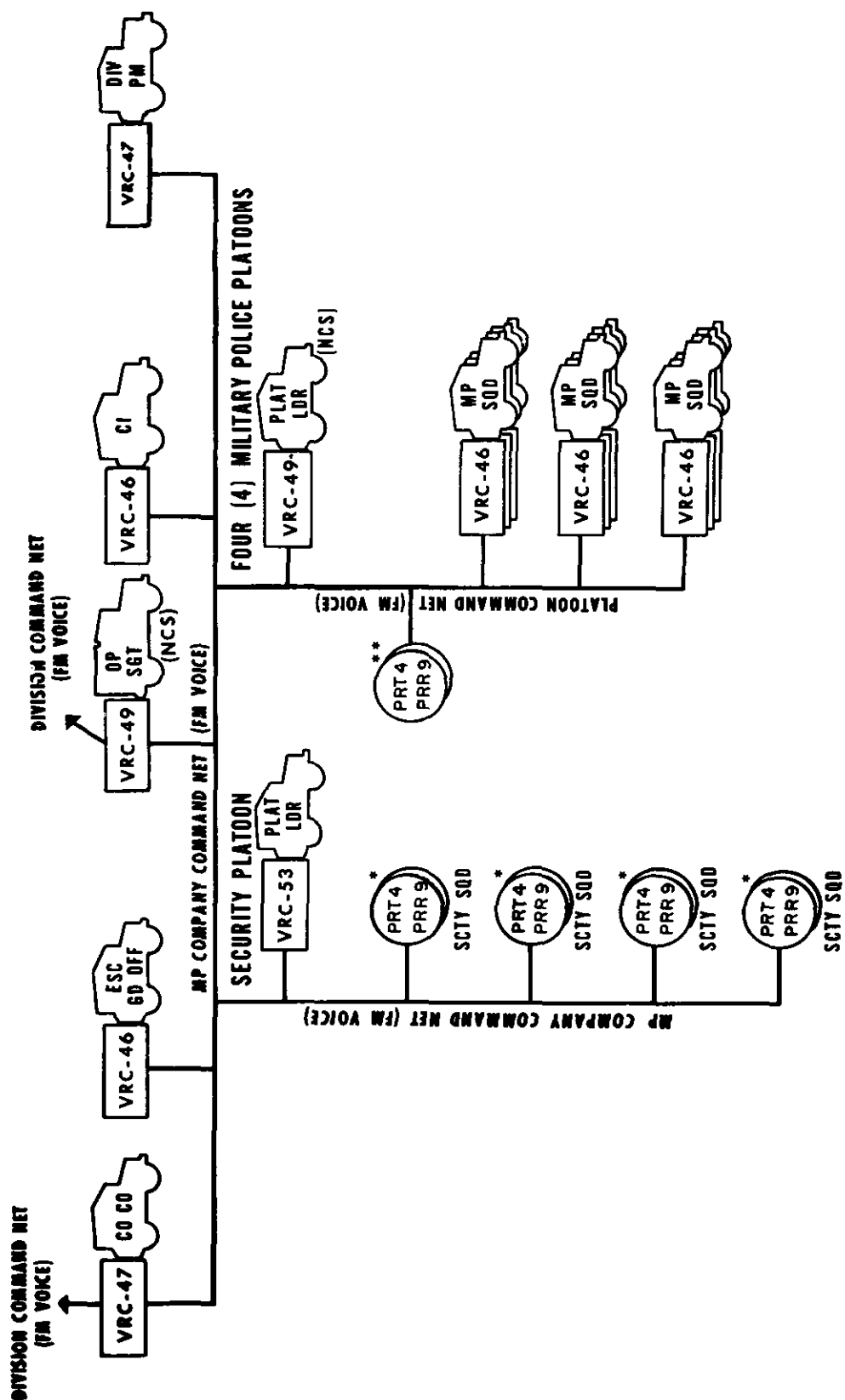
★*c.* Transmission security includes all security measures used to protect transmissions from interception, traffic analysis, direction finding, and imitative deception. Since in-the-clear transmissions provide potential sources for enemy intelligence activities, protective measures are necessary at all times to reduce the danger of compromise of information being transmitted. The relative security of one transmission means over another varies with the circumstances, but all military police operational communications traffic normally is transmitted in the clear and involves continual operations over a 24-hour period. Under these circumstances, radio is particularly susceptible to compromise. Therefore, strict radio circuit discipline is the primary defense against radio interception and direction finding. Both operator and maintenance personnel must be trained to recognize and avoid improper radio procedures which endanger transmission security. See FM 24-1, FM 32-5, and FM 61-24 for details on communications security (COMSEC).

**7-3. Radio**

*a.* The company, depending on the compatibility of its organic radio equipment, may operate in or monitor radio nets in the division as indicated below:

★(1) *Division command net.* This net provides a direct channel of communication between the division commander and staff and the commanders of all units operating directly under division control. The company enters it as required. Operations are in accordance with the division SOP, SOI, and SSI. The division command net is also used to broadcast nuclear, biological, and chemical attack warnings and fallout warning.

(2) *Division operations/intelligence net.* This net is provided for the conduct of tactical and intelligence operations and generally parallels the division command net. In the airborne and airmobile divisions, the military police company head-



\* Dismounted operation.

\*\* Utility sets for traffic control at fixed points, detiles, and dismount points.

Figure 7-1. Type radio communications diagram, military police company, armored, infantry, and mechanized infantry division.

quarters can monitor this net. In the airmobile division, the division provost marshal also monitors this net.

★(3) *Radio/wire integration (RWI) stations.* These stations serve to connect mobile voice FM radio stations to other elements connected by telephone to the division signal system. Military police elements can communicate with RWI stations by using organic radios and can then be connected with other elements by the stations.

b. Command control of military police operations in the division is facilitated by a military police company command net and platoon command nets.

(1) *Military police company command net.* This net provides the primary means for command, control, and coordination of military police operations in the division area. The company commander controls the net and places stations in it as required to facilitate the military police mission. The division provost marshal, the company commander, the escort guard officer, and the military police platoon leaders normally operate in this net.

★(2) *Military police platoon command net.* This net provides the platoon leader with command, control, and coordination of military police patrols operating in the support area of a committed brigade. The net control station (NCS) of this net monitors the command net of the supported brigade. The NCS of the platoon net may operate in the support command command net in connection with support operations. Where separation of company elements exceeds the range of organic radio equipment, the division communications system must be relied upon for communications needs.

(3) *Security platoon command net.* In the armored, infantry, and mechanized divisions, the security platoon radios operate as a part of the military police company command net as shown in figure 7-1. However, under certain conditions, the security platoon may establish its own net as shown in figures 7-2 and 7-3. This net, when established as a separate net, provides the security platoon leader with command, control, and coordination of military police roving security patrols within the perimeter of the division command post. Because of reduced range and mobility requirements of this net, the platoon is equipped with portable sets.

(4) *Military police company utility radios.* The company is equipped with portable radio sets

for use in special situations requiring radio communications within a small area. Typical situations in which these radios may be utilized are in coordinating and controlling vehicular traffic through a defile, in control activities for civil disturbances, checkpoints and roadblocks, and in evacuation of prisoners of war. Control is maintained by the senior individual involved in the particular operation. When utility radios are employed, they operate in a platoon command net or, when authorized by the division SOI, in a special-purpose net.

★c. The radios assigned to the various elements of the company and the provost marshal section are operated by members of these units as part of their normal duties. These radios are vulnerable to enemy communications intelligence (COMINT), electronic warfare support measures (ESM), and electronic countermeasures (ECM). Personnel must be capable of defending against these activities. Radio operating procedures, to include communications security and electronic counter-countermeasures (ECCM), are contained in FM 24-18. Details on electronic warfare are contained in FM 32-20.

d. Type radio communications of the company are diagramed in figures 7-1, 7-2, and 7-3.

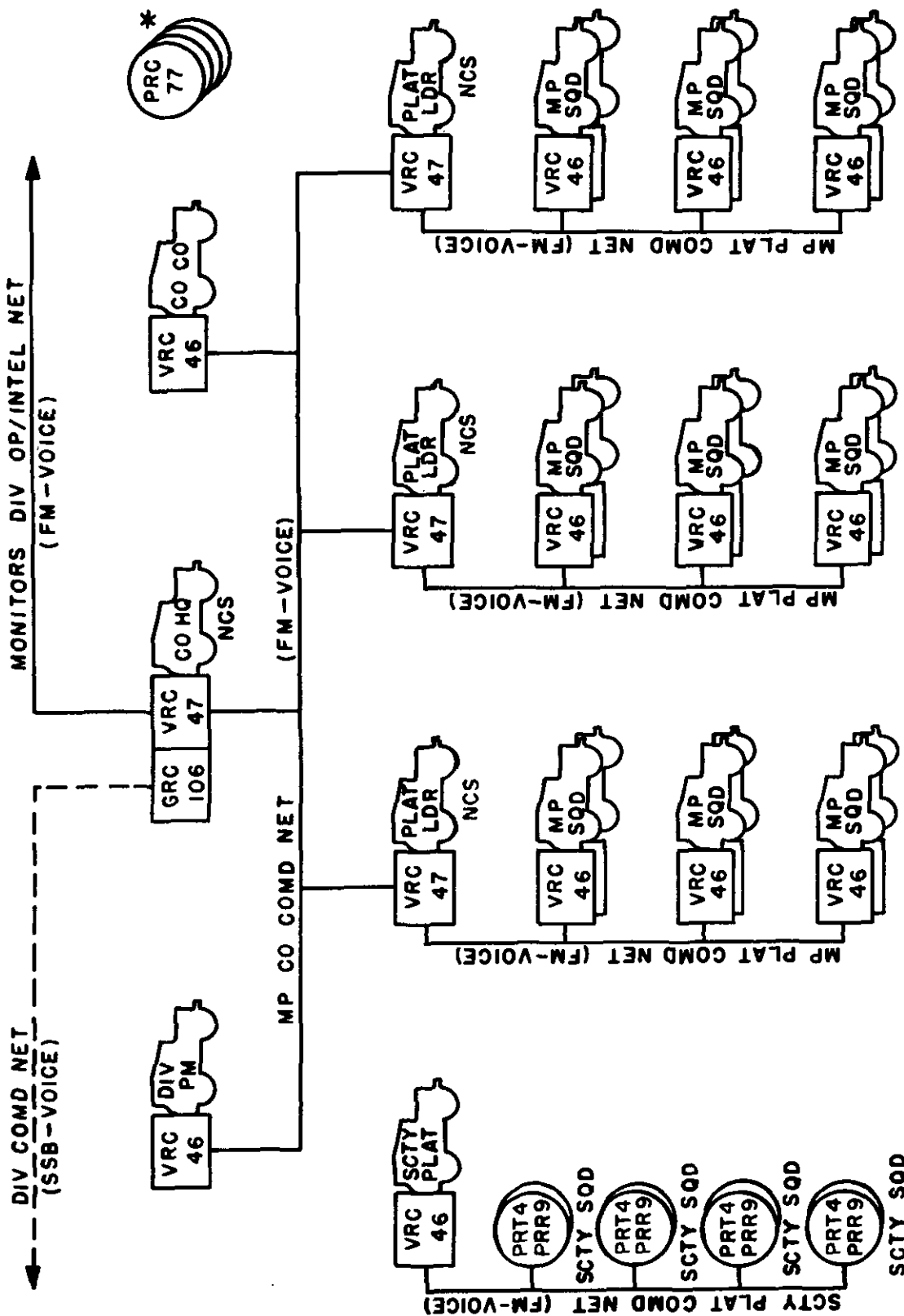
#### 7-4. Wire

a. During periods of radio silence or enemy jamming operations, wire becomes the primary means of communications. Wire communication should also be used in any situation where time, security, and operational requirements permit its installation.

b. In comparison with radio communications, wire nets require more time to establish, are not as flexible, and are susceptible to disruption by enemy action. However, wire nets generally are more secure and more reliable than radio nets, and they are not too adversely affected by variations in weather.

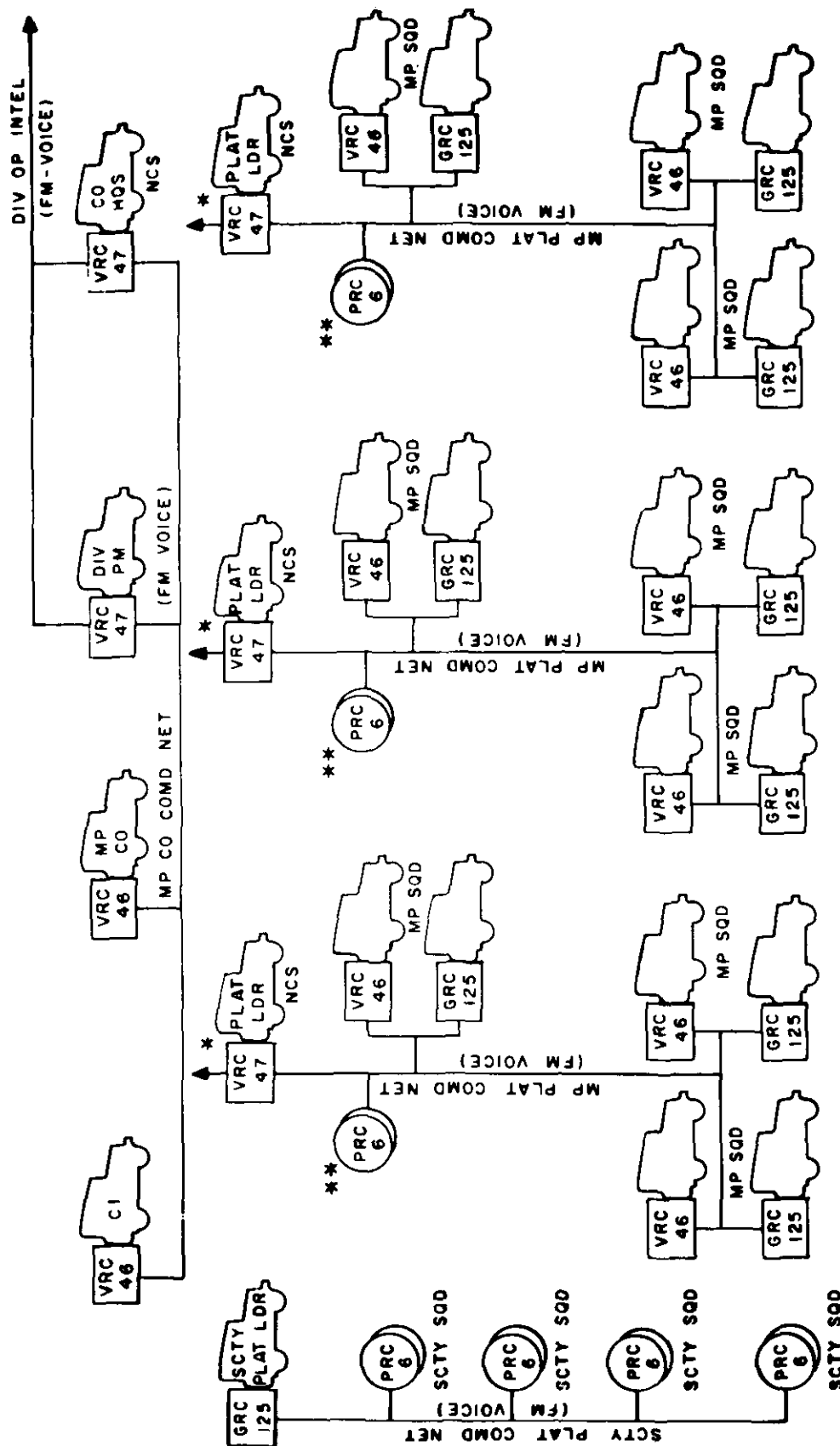
c. The division provost marshal and the company commander employ telephone and radio-wire integration for accomplishment of the military police mission. Telephone sets are available to the division provost marshal, the company commander, and the security platoon leader. These sets allow entry into the division common signal service through the company headquarters switchboard except in the airborne division.

d. In the airborne division, the military police



\* 4 UTILITY SETS REQUIRED FOR TRAFFIC CONTROL AT DISMOUNT POINTS AND STAGING AREAS.

Figure 7-2. Type radio communications diagram, military police company, airborne division.



- \* AUX RECEIVER IN CO COMD NET OR NET OF SUPPORTED UNIT.
- \*\* UTILITY SETS FOR TRAFFIC CONTROL AT FIXED POINTS, DEFILES, AND DISMOUNT POINTS.

Figure 7-8. Type radio communications diagram, military police company, automobile division.

company is not equipped with an organic switchboard. Telephones are authorized for connection to wire lines provided from a nearby signal center or other switching terminal.

★*e.* Additional telephones enable the company commander or the platoon leaders to utilize a local wire net for control and coordination at dismount points, defiles, staging areas, fixed traffic control posts, and PW collecting points, as required. Telephones are also provided to the military police platoon leaders for voice communication through switchboards of supported units, as required.

*f.* A type wire communications system of a company is diagramed in figure 7-4.

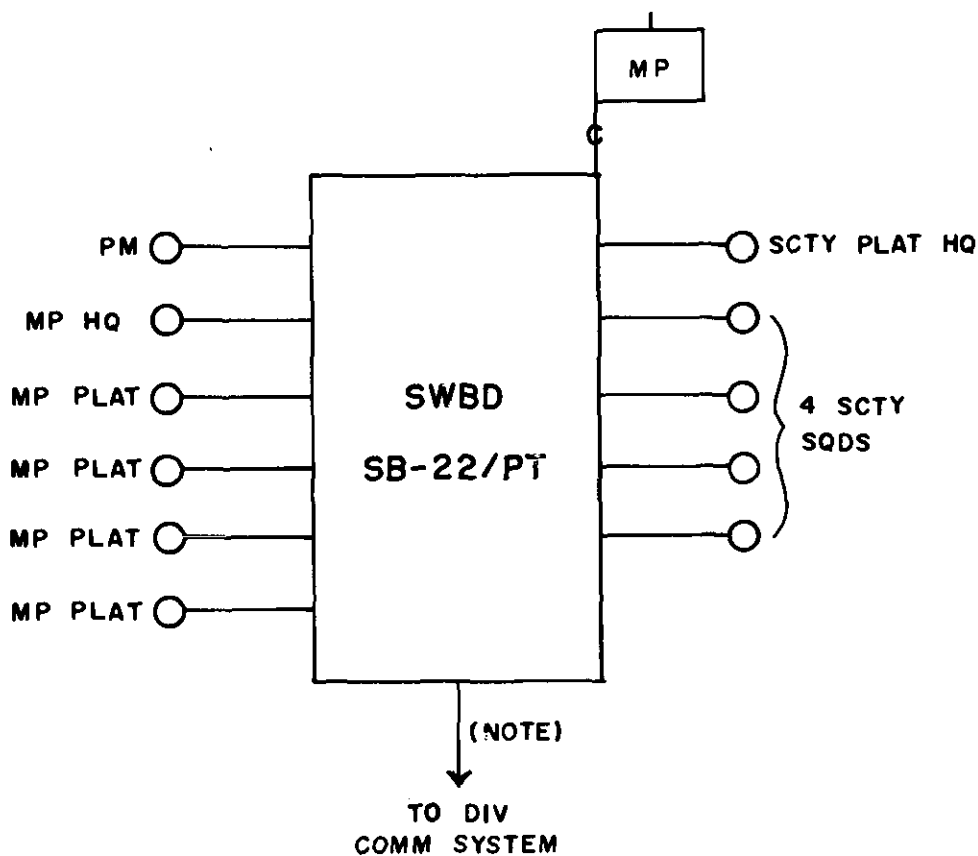
### 7-5. Messenger

Messengers may be used extensively in local military police operations for the delivery of low-pre-

cedence military police messages that would otherwise overload electrical facilities. They are also used when wire and radio communications are impracticable, when equipment breaks down, and for the delivery of bulky material. Messengers are the most secure means of communications, and military police use messengers both as an emergency means and as a regular established service.

### 7-6. Visual

★Visual communications of various types are often employed in the course of military police support operations. The hand signals used by traffic control personnel in directing traffic are an important visual means and must be understood by all military drivers. The emergency lights mounted on military police vehicles are a means of communicating a visual warning. Of particular significance are the visual means of communica-



**NOTE:**

WIRE LINK INSTALLED  
BY DIVISION SIGNAL  
BATTALION

**LEGEND:**

○ TELEPHONE SET  
TA-312/PT

7-4. Type wire system, military police company, armored, infantry, and mechanized infantry divisions.



tion between the ground and aircraft overhead. Military police must be proficient in the use of ground-to-air communications equipment; e.g., signal panels, colored smoke grenades, and pyrotechnic signals. Further information on visual signals is provided in FM 21-60 and FM 23-30.

### **7-7. Sound**

Means of communication utilizing sound are often important in military police operations. Aural warning devices include police vehicle sirens, traffic control whistles, Klaxons, horns, buzzers, and similar means. All of these means can be used to transmit prearranged messages and warnings.

### **7-8. Commercial Systems**

Military police operations in the division area of responsibility may include patrolling in a large city. Military police stations are situated in or near the city area and normally are connected into the local telephone system. Military police on patrol, however, normally do not use the local telephone system except in emergencies. The use of commercial broadcasting facilities by military police usually is also limited to serious emergen-

cies. However, under some conditions, the division provost marshal may request commercial radio broadcasts of messages of public interest. Instances which may require usage of commercial radio should be coordinated with the local signal officer or civil affairs officers, as applicable, depending on the control of the facility.

### **7-9. Civil Police Systems**

Direct telephone lines for liaison may be established between the military police station and civil police stations. Arrangements may be made for the use of the civil police radios and their telephone call box facilities. Use ordinarily is limited to emergencies or special situations, and care is taken not to overload the civil police networks. Requests for this type service are coordinated with the local signal officer or civil affairs officer.

### **7-10. Village Radio Nets**

During stability operations, military police may utilize village, district, and province radio nets for communications with central police headquarters. These nets should be used only when police communications are inappropriate or not available.

## CHAPTER 8

## SUPPORT OF STABILITY OPERATIONS

**8-1. General**

★Stability operations are that type of internal defense and internal development operations and assistance provided by the Armed Forces to maintain, restore, or establish a climate of order within which responsible government can function effectively and without which progress cannot be achieved. U.S. Forces may be employed in advisory, combat, combat support, or combat service support operations. Divisions and separate brigades committed in such situations may provide forces to participate in all of these functions. For additional guidance, see FM 100-5, FM 100-20, FM 41-10, FM 31-16, FM 31-22, FM 31-23, and FM 19-50.

**8-2. Functions and Responsibilities**

*a.* Military police functions and responsibilities in stability operations differ from those in limited and general war principally in that military police may provide advice, assistance, or support to civilian authorities. This would be done in conjunction with the G5/S5 and in cooperation with or support of the U.S. Agency for International Development (USAID) programs in the host country.

*b.* Military police activities may also be more complex in stability operations than in limited or general war because of the requirement to conform to treaty obligations, law and regulations of local government. United Nations or other international regulations, local customs and traditions, and to coordinate with host country police agencies and USAID.

*c.* Military police support of a division or separate brigade in stability operations involves increased emphasis on the maintenance of discipline and close coordination with the G5/S5 on such populace and resources control measures an enforcement of laws, orders, and regulations; traffic control; physical security; crime prevention and investigation; personnel and area search; curfew; cordon and search operations; control of civil dis-

turbances; and the organization and operation of police intelligence systems.

*d.* The division military police company, cooperating with other U.S. Forces and with host country civil and military police, can support the division by controlling U.S. and indigenous personnel and vehicles. It can also contribute to estimates of the ability of civil authorities to maintain control of the local populace.

**8-3. Organization for Operations**

*a.* Division military police will require augmentation to perform military and civil internal defense functions in a counter insurgency environment. Augmentation may be made by attachment of TOE 19-500 teams or by development of integrated provisional military police units from other branch units. However, it normally is accomplished by the attachment of nondivisional military police units, to include individual criminal investigative resources.

*b.* The company may provide advice, assistance, and support to civil police in populace and resources control measures, technical police operations, and criminal investigations. Further discussion on military police advisory assistance is provided in FM 31-22 and FM 31-23.

*c.* A brigade of the division operating separately in stability operations normally will require one augmented platoon from the company for support.

**8-4. Internal Defense Operations**

★Military police participate in internal defense operations by assisting host country military and civil police in maintaining law and order. In doing so, they support actions to control human and materiel resources and to deny insurgents access to those resources.

*a.* Populace and resources control programs involve the following considerations:

(1) Military operations for populace control,

## C 1, FM 19-1

relocation, screening, registration, investigation of crime, or movement normally are conducted by the division. Military police support of such operations embraces all areas of military police operations with particular emphasis upon criminal investigation, traffic control, physical security, and refugee control. For further details, see FM 19-5, FM 19-25, and FM 31-16.

★(2) Military operations for resources control normally are conducted in coordination with and support of civil authorities. They may include confiscation or security of installations, crops, petroleum products, and raw materials; control of firearms, food staples, and medical supplies or other items of a critical nature. The purpose of these operations is to deny the resources to dissident elements of the population and preserve them for the legal government. For further details, see FM 31-23 and FM 41-10.

(3) Cordon and search operations may also be required. If considered appropriate, the division or one of its brigades may establish a police operations center in conjunction with host country representatives. This center functions as the planning, coordinating, and command center for host country units and U.S. units involved in this type operation. The division provost marshal, his staff, and personnel of the company may become directly involved as coordinators or advisors. At brigade level, the leader of the military police platoon supporting the brigade may perform functions similar to those performed by the provost marshal at division level. He may provide a squad or element to assist host country units during the search phase of each of the cordon and search operations. In these operations, a well-trained force descends unexpectedly upon a town, village, city block, or similar area; surrounds the area; and systematically searches out all persons and property of military interest. Military police support of a cordon and search operation includes provision of search parties, the security of captured individuals and property, and evacuating detainees. U.S. military police can best support cordon and search operations by assisting in host country military or civil police activities. A further discussion of conducting raids and performing cordon and search operations is contained in FM 31-16 and FM 31-73.

(4) Commitment of division elements to extensive civil disturbance operations requires increased military police effort. Although combat units may be employed to execute the basic civil disturbance operations, requirements for military

police support are greatly increased by the need to accomplish such tasks as personnel identification; search and seizure; traffic control; guarding of captured insurgents; and physical security of critical installations, facilities, and utilities. Because of their specialized training, military police are ideally suited to participate in these operations. However, the capabilities of the company may be comparatively limited because of unit size. When possible, therefore, the company should be augmented to perform civil disturbance operations. For detailed operational techniques, see FM 19-15.

(5) Screening the population to include the establishment of a registration and documentation system may be necessary. Comprehensiveness of the material against which screening may be accomplished normally determines the speed with which local administration can be effectively restored.

(6) Mobile and static control points and checkpoints may be established to check identity and travel cards and to search vehicles for contraband and unusual cargoes. Static checkpoints are located to intercept the main flow of vehicles and pedestrians in and out of metropolitan centers, defended hamlets, villages, districts, and other significant areas. They usually are located in the vicinity of other military or security installations for mutual support. Checkpoints are established where travelers will not be unduly hampered or harassed, but where there is sufficient space to park vehicles, to assemble personnel under guard for searches and possible interrogation, and to facilitate own security. Static checkpoints may be supplemented, on a selective basis, by mobile checkpoints or patrols that use vehicles and aircraft. A major purpose of mobile checkpoints is to intercept vehicles or individuals attempting to avoid the static checkpoints and to expand coverage of area of control.

(7) Curfew is established only when clearly justified by related factors including possible effects, objectives, enforceability, and duration. Curfew objectives are to screen military movements, prevent movements useful to insurgent forces, disrupt insurgent communication and support systems, and deter assembly of crowds. Announcements should include times of curfew and categories of persons exempted from curfew restrictions. Curfew may be established by the host country and implemented by host country with U.S. military police assistance.

b. Additional resources control and police-type

measures which may be taken include forbidding civilians to enter without permission any restricted or guarded place; ordering all weapons, ammunition, radios, and cameras to be surrendered; and controlling livestock, foodstuffs, medical supplies, printing presses, and money. Command measures of these types, however, should be taken by host country authority when completely justified and when coordinated with the host country through the G5/S5.

c. Port and border control operations consist of the application of security measures in coordination with other U.S. and host country intelligence and other internal security agencies to control airports, seaports, land and sea frontiers, and all civilian traffic into and out of areas of operations.

★(1) Port facilities are primary insurgent targets and good entry points. Ports normally are under the control of a civil port authority, and security may be provided by harbor or port police, paramilitary forces, and host country military police.

(2) Border surveillance and control in stability operations are designed to prevent insurgent forces from making use of adjacent countries. Military police may provide border control posts and border patrols, control persons residing near borders, interrogate suspects, control refugees, and conduct liaison with border control authorities of neighboring countries.

d. Population surveillance is based on area coverage and includes—

(1) Overt surveillance, which is conducted by the police with normal police procedures and employing foot or vehicle police patrols. The routes of police patrols should be varied. They should also be coordinated with other patrols and military forces to avoid duplication and confusion.

(2) Covert surveillance, which is a collection effort conducted by intelligence, security, and detection elements of the police. Covert techniques range from the use of sophisticated electronic devices to the employment of informants. They include information nets and block control, in which residents trusted by the police report on the activities of their neighbors. Informant nets are useful to doublecheck block leaders and block informants.

(3) Covert surveillance devices detect both friendly and enemy forces or populations. When the local commander employs an active policy to attack unidentified detected targets, certain risks

are assumed. These risks can be reduced by alert military police patrols operating in the area who report all isolated friendly locations, reporting of these locations serves as a check that all friendly locations or movements are known in the division or brigade area of responsibility and insures proper target discrimination. Traffic control posts can assist in reporting small groups of individuals or vehicles moving during periods of poor visibility which may be detected by covert surveillance devices but be unknown by the tactical operations center.

### 8-5. Intelligence Operations

The development of police intelligence operations by host country and U.S. military police complements the overall intelligence and counterintelligence program by supplying information. Police intelligence efforts will be closely coordinated with both the G5/S5 and G2/S2. Police intelligence can provide—

a. An identification program, including fingerprinting, photography, and exact descriptive data.

b. Establishment of police files and police records.

c. Informant nets, block control systems, and search systems.

d. Interrogation methods, including the employment of polygraph.

### 8-6. Tactical Operations

Military police may participate in tactical operations against insurgents. In coordination with intelligence and counterintelligence personnel, military police can develop and coordinate police intelligence nets to provide information of intelligence value in such operations. Military police can also provide surveillance and reconnaissance patrols and help to maintain open lines of communication while hampering insurgent movement and infiltration. Military police are particularly suited for employment in the following tasks:

a. Provide police intelligence to enhance the overall intelligence effort.

b. Serve as small strike forces capable of overcoming roadblocks and other small-scale guerrilla activities.

c. Escort both tactical and logistical convoys along those roads upon which there is a limited

risk of insurgent ambush, such as sniping at odd vehicles and conducting minor hit-and-run attacks.

*d.* Establish protection for critical points along lines of communication, such as bridges, defiles, and locks or dams.

*e.* Perform ground and aerial patrols to maintain surveillance and cover of lines of communication or to establish communications between convoys and protecting forces.

*f.* Conduct raids against small guerrilla forces in assigned areas of responsibility and conduct limited tactical operations in conjunction with combat forces.

*g.* Facilitate the rapid evacuation of captured personnel and detainees in order to provide timely relief of combat forces being diverted to this task.

### 8-7. Psychological Operations

Police activities generally require an active education program so they are not misunderstood by the population. Positive public relations and intelligent psychological operations programs, coupled with good police techniques should be applied to avoid friction and to encourage closer cooperation by the people. The population must be convinced that their police force is devoted to protecting the public interest; preserving internal security by halting crime, violence, and vice; and countering insurgency. Psychological operations programs can be employed to inform the population and to seek its cooperation and allegiance. These activities must be coordinated through the G5/S5 for expertise, efficiency, and overall coordination of the U.S. military effort. Benefits accruing from such programs include—

*a.* Prevention of undue harassment of the population.

*b.* Winning the support of the people.

*c.* Efficient employment of military police resources.

*d.* Voluntary compliance by the population with local rules, regulations, and laws.

### 8-8. Military Civic Action

Host country military and civil police often are the only governmental agencies which have daily contact with the population at the rural and community levels in developing countries. This association can be employed to both sociological and

psychological advantage in a military police civic action program but must be coordinated with the G5/S5 for expertise, efficiency, and overall coordination of the U.S. military effort. U.S. military police may provide training, assistance, and advice in the following specific areas of civic action:

*a.* Training of local citizens as auxiliary police.

*b.* Assisting the development of sound police/community relations.

*c.* Developing and supporting youth activity programs.

*d.* Developing modern correctional and rehabilitation programs.

*e.* Developing effective physical and community security programs.

*f.* See other examples in FM 31-22 and FM 41-10.

### 8-9. Advisory Assistance

Divisional and separate brigade military police units, through coordination of the G5/S5, may extend the Military Assistance Program (MAP) and USAID responsibilities by providing training, advice, and assistance to host country forces. Host country police forces have a major role in combating subversive insurgency. Insurgents are considered criminals and, as such, their activities are illegal and subject to police jurisdiction.

### 8-10. Training

As a part of area orientation in preparation for stability operations, members of the company should receive detailed instruction in subjects relating to civil and military law, status of forces agreements, civil affairs agreements, and combined military police agreements concerning host countries in which they will operate. Training should emphasize their authority, jurisdiction, and relationships with host country forces and civilians and with other U.S. Armed Forces and agencies. The program of instruction should include—

*a.* Civil disturbance operations, use of riot control agents and equipment, and mob psychology.

*b.* Techniques for escort of convoys, to include communications procedures for summoning emergency aid and coordination of protective fires, reinforcing fires, and fire support; patrolling; operation of checkpoints, roadblocks, and strongpoints; personnel identification systems; civil de-

fense; police security investigations; and customs enforcement control.

*c.* Psychological operations to support police public relations and military civic action programs.

*d.* Security of ports, airports, industrial plants, railroads, public buildings, utilities, and military installations.

*e.* Traffic control; handling of military, civilian,

and insurgent prisoners; crime investigations; cordon and search operations; and military intelligence operations.

*f.* Conduct of combat patrols, strike force op-

erations, route and area reconnaissance, and air-mobile operations.

*g.* Tactical cover and deception measures.

## CHAPTER 9

### SUPPORT OF RIVERINE OPERATIONS

---

#### 9-1. General

The nature and distinguishing characteristics of riverine operations are extensively documented in FM 61-100 and FM 31-75.

#### 9-2. Planning

*a.* Basic missions appropriate for military police in riverine operations are similar to those performed in more conventional operations of land combat. This does not imply that doctrine, operational techniques, and principles of employment need not be modified. The environment of riverine operations is different from that in which military police activities usually take place and where they are dependent upon wheeled vehicles for mobility and relatively short range organic FM radios for communications.

*b.* As in more conventional operations, there is a requirement for maximum coordination and cooperation between all elements of participating ground forces, naval units, and supporting air elements. Therefore, appropriate relationships on a unified basis at all levels of command and control are prescribed.

*c.* The allocation of the division military police company elements and nondivisional augmentation in their various combat support roles must be carefully controlled to insure economical and effective use. Normally, military police elements are placed in support of subordinate division units to perform required tasks of physical security, traffic control, the handling and evacuation of PW, and refugee control and displacement.

*d.* The very limited road net in the area, the existence of many navigable waterways, and extended tactical area of responsibility dictate substitution of watercraft and aircraft for land vehicles for more efficient military police operations and for the safer movement of men and material. The use of either watercraft or aircraft requires that all unit commanders and staff officers be familiar with the type and characteristic of availa-

ble transportation means, such as the aircraft or watercraft operating in support of the ground force that may be used to evacuate prisoners of war, defectors, and detainees, or deployment of company elements.

*e.* Normally, all division provost marshal and military police platoon communications must pass through the division communications system, with an even greater reliance upon the radio/wire integration system.

#### 9-3. Organization and Equipment

*a.* A full or reduced strength military police platoon of the division military police company is required to support a brigade of up to three maneuver battalions and a direct support artillery battalion. It should be composed of a platoon headquarters with platoon leader, platoon sergeant, investigator, and interpreter support, and a variable number of squads. Organization of a brigade task force with more than three battalion maneuver elements will necessitate a corresponding increase in the number of military police squad elements.

*b.* Primary equipment requirements essential for military police support of the riverine force may include augmentation with various types of watercraft for custody of prisoners of war and other detainees, river patrol boats for security and evacuation of such captured personnel and AM-SSB radios and antennas to extend communications range. Locally, communication links are established as required with patrol boats and other support craft, the air landing site, medivac aircraft, and with the command and control boats.

#### 9-4. Operations

★*a.* The majority of tactical operations conducted by the riverine force involves boat transport, riverine assault, sustained ground combat, and waterborne extraction of the forces. Some tactical riverine operations involve the use of rotary and fixed wing aircraft. FM 31-75 provides



information concerning medical support in riverine operations at land bases, bases afloat, and area support for waterborne operations.

b. Because of the joint nature of riverine operations, the provision of military police support must be closely coordinated with all concerned. A greater degree of decentralized military police operations is required in order to provide adequate military police support to wide ranging combat elements.

c. Military police functions that may be required by a riverine force are—

(1) *Prisoner of war operations.* Capturing units may evacuate PW or detainees either immediately by supporting aircraft or subsequently when units are being extracted. Evacuation by air may be to a prepared landing site or a watercraft (PW collecting point) located in the vicinity of the air landing site. Here, prisoners are received, interrogated, and kept segregated for further evacuation. Close coordination is required with brigade S2 and S5 personnel for appropriate disposition of captured individuals. The length of the holding period will depend upon the location of the riverine force and the availability of means for further evacuation to the division central collecting point or other disposition. The assignment of river patrol boats to military police enhances functions, such as waterborne guarding of the PW collecting point, transporting PW to the next point in the chain of evacuation, and for other intervessel transportation requirements within the riverine force.

(2) *Circulation control of individuals and enforcement of military laws, orders, and regulations.* Operations of the riverine force may involve action in or around built-up areas or urban areas and may necessitate increased consideration in the areas of populace and resources control, refugee control and displacement, and disciplinary control activities; e.g., military curfews and off limits restrictions, by supporting military police. In addition, shipboard, military police support requirements may increase due to problems

such as larceny of personal property, involvement with civilian boat operators and availability of narcotics. Investigator personnel should be available when and where required to give immediate response to commanders with police and criminal investigative problems.

(3) *Military prisoners.* Riverine force personnel may be billeted on U.S. Navy vessels during a riverine operation. If temporary confinement facilities are required for U.S. Army personnel, Navy facilities may also be available for use.

(4) *Traffic control.* The volume of land traffic during riverine operations is significantly reduced due to the limited road net, increased delivery of personnel and materiel by air and watercraft, and a constant threat of enemy activity. Consequently, a riverine force may be configured and structured for waterborne operations in such a manner that it has only a few vehicles. When this has happened, the establishing of motor patrols and operation of traffic control posts may not be required. However, should the force contain a large number of vehicles, the guidance set forth in FM 19-25 concerning traffic control at river crossings and in amphibious operations may be followed. Heavy boat traffic on navigable waterways may present additional requirements for traffic control and security operations. It may require special military police support and mobility through the use of patrol boats when Navy patrol boats or armored vessels are not performing this mission.

### 9-5. Separate Brigade Operations

★A separate brigade may be directed to conduct riverine operations. If so, the organic military police platoon furnishes the required military police support. Employment and operations of the platoon would be similar to those set forth above for the division military police company except they would normally be on a reduced scale. Should requirements exceed platoon capability, augmentation from other military police resources would be necessary.

**APPENDIX A****REFERENCES****A-1. Army Regulations (AR)**

10-6	Branches of the Army.
195-10	Military Police Criminal Investigative Activities.
195-11	Accreditation of Military Police Criminal Investigators.
★310-25	Dictionary of United States Army Terms.
★310-31	Management System for Tables of Organization and Equipment.
★310-50	Authorized Abbreviations and Brevity Codes.
380-5	Safeguarding Defense Information.

**A-2. Field Manuals (FM)**

1-5	Aviation Company.
★1-15	Aviation Battalion, Group, and Brigade.
★3-10	Employment of Chemical Agents.
3-12	Operational Aspects of Radiological Defense.
5-1	Engineer Troop Organizations and Operations.
5-36	Route Reconnaissance and Classification.
★7-20	The Infantry Battalions.
★7-30	The Infantry Brigades.
8-15	Medical Service in Divisions, Separate Brigades, and the Armored Cavalry Regiment.
11-21	Tactical Signal Communications Systems, Army, Corps, and Division.
★11-50	Signal Battalion, Armored, Infantry, Infantry (Mechanized), and Airmobile Divisions.
11-57	Signal Battalion, Airborne Division.
17-1	Armor Operations.
★17-30	The Armored Brigade.
19-4	Military Police Support, Theater of Operations.
19-5	The Military Policeman.
19-15	Civil Disturbances and Disasters.
19-20	Military Police Investigations.
19-25	Military Police Traffic Control.
19-30	Physical Security.
19-40	Enemy Prisoners of War and Civilian Internees.
★19-50	Military Police in Stability Operations.
19-60	Confinement of Military Prisoners.
20-10	Military Support of Civil Defense.
21-30	Military Symbols.
21-40	Chemical, Biological, Radiological, and Nuclear Defense.
21-41	Soldier's Handbook for Defense Against Chemical and Biological Operations and Nuclear Warfare.

21-48	Chemical, Biological, and Radiological (CBR) and Nuclear Defense Training Exercises.
21-60	Visual Signals.
★23-30	Grenades and Pyrotechnic Signals.
23-65	Browning Machine Gun, Caliber .50 HB, M2.
24-1	Tactical Communications Doctrine.
24-18	Field Radio Techniques.
27-10	The Law of Land Warfare.
29-30	Maintenance Battalion and Company Operations in Divisions and Separate Brigades.
29-50	Supply and Services in Divisions and Separate Brigades.
30-5	Combat Intelligence.
31-16	Counter guerrilla Operations.
31-21	Special Forces Operations—U.S. Army Doctrine.
31-22	U.S. Army Counterinsurgency Forces.
31-23	Stability Operations—U.S. Army Doctrine.
31-25	Desert Operations.
31-50	Combat in Fortified and Built-Up Areas.
31-60	River-Crossing Operations.
31-73	Advisor Handbook for Stability Operations.
★31-75	Riverine Operations.
★31-85	Rear Area Protection (RAP) Operations.
★(C) 32-5	Signal Security (SIGSEC) (U).
★(C) 32-20	Electronic Warfare (Ground Based) (U).
★(S) 32-20A	Electronic Warfare (Ground Based) (U).
33-1	Psychological Operations—U.S. Army Doctrine.
33-5	Psychological Operations, Techniques, and Procedures.
41-10	Civil Affairs Operations.
44-1	U.S. Army Air Defense Artillery Employment.
44-30	Visual Aircraft Recognition.
44-62	Air Defense Artillery Automatic Weapon Gunnery.
54-2	The Division Support Command and Separate Brigade Support Battalion.
★55-30	Army Motor Transport Operations.
57-35	Airmobile Operations.
61-24	Division Communications.
61-100	The Division.
100-5	Operations of Army Forces in the Field.
100-10	Combat Service Support.
(C) 100-20	Field Service Regulations: Internal Defense and Development (IDAD) (U).
101-5	Staff Officers' Field Manual: Staff Organization and Procedure.
101-10-1	Staff Officers' Field Manual: Organizational, Technical, and Logistical Data—Unclassified Data.
★101-10-2	Staff Officers' Field Manual: Organizational, Technical and Logistical Data—Extracts of Nondivisional Tables of Organization and Equipment.

### A-3. Technical Manuals (TM)

3-220	Chemical, Biological, and Radiological (CBR) Decontamination.
-------	---

★38-750            The Army Maintenance Management Systems.  
55-450-15        Air Movement of Troops and Equipment.  
                          (Administrative)

#### **A-4. Department of the Army Pamphlets (DA Pam)**

27-1                Treaties Covering Land Warfare.  
★108-1            Index of Army Motion Pictures and Related Audio-  
                          Visual Aids.  
310-1                Index of Administrative Publications.  
310-3                Index of Doctrinal, Training, and Organizational  
                          Publications.  
310-4                Index of Technical Manuals, Technical Bulletins, Sup-  
                          ply Manuals (types 7, 8, and 9), Supply Bulletins,  
                          and Lubrication Orders.  
310-6                Index of Supply Catalogs and Supply Manuals (ex-  
                          cluding types 7, 8, and 9).  
310-7                U.S. Army Equipment Index of Modification Work  
                          Orders.

#### **A-5. Tables of Organization and Equipment (TOE)**

7-102              Headquarters and Headquarters Company, Separate  
                          Infantry Brigade.  
17-102             Headquarters and Headquarters Company, Separate  
                          Armored Brigade.  
19-27              Military Police Company, Armored Division; or Mili-  
                          tary Police Company, Infantry Division; or Mili-  
                          tary Police Company, Infantry Division (Mecha-  
                          nized).  
19-67              Military Police Company, Airborne Division.  
19-87              Military Police Company, Airmobile Division.  
                          (Not a DA published TOE; only a USACDC\* tenta-  
                          tive publication.)  
19-500             Military Police Service Organization.  
29-500             Composite Service Organization.  
37-102             Headquarters and Headquarters Company, Separate  
                          Infantry Brigade (Mechanized).  
57-102             Headquarters and Headquarters Company, Separate  
                          Airborne Brigade.

#### **A-6. Training Circulars (TC)**

3-16                Employment of Riot Control Agents, Flame, Smoke,  
                          Antiplant Agents, and Personnel Detectors in  
                          Counterguerrilla Operations.  
23-15              Engagement of Aerial Targets with Small Arms.

**APPENDIX B**

**TYPE DIVISION PROVOST MARSHAL SECTION STANDING  
OPERATING PROCEDURES**

---

\_\_\_\_\_  
(Classification)

\_\_\_\_\_  
Division  
Provost Marshal Section  
Location  
Date

**STANDING OPERATING PROCEDURE**

**I. APPLICATION**

PM section SOP conforms to division SOP, doctrine, and regulations. It applies except when modified by division order or with concurrence of PM. MP company SOP will conform.

**II. ORGANIZATION**

A. Tactical Groupings. See paragraph IVC3a and b, below.

B. Provost Marshal Section.

1. Organizational chart, annex A. Omitted.

2. PM duties and functions

a. Advises CG and staff on PM and MP activities.

★b. Employs MP company and attached units.

(1) Plans utilization of MP company, to include the coordination of cover and deception, matters relating to prisoners of war, traffic control, military police criminal investigation activities, and physical security.

(2) Exercises operational control of MP company. Includes tactical, technical, or service operation or combination thereof. Does not include responsibility for supply, administration, or movement other than tactical maneuvering since they have not been specifically delegated to the PM by the CG.

c. Responsible for preparing and supervising MP training.

d. Plans and supervises following MP operations:

(1) Traffic control.

(2) Physical security.

\_\_\_\_\_  
(Classification)

---

(Classification)

- (3) Command post security.
  - (4) PW operations.
  - (5) Circulation control of individuals.
  - (6) Prevention and investigation of crime.
  - (7) Enforcement of discipline, law and order.
  - (8) Confinement of military prisoners.
  - (9) Aid to civil authorities during civil disturbances and disasters.
  - (10) Assistance in division rear area security and area damage control operations.
- e. Additional duties and functions, annex B. Omitted.
- 3. Assistant PM duties.
    - a. Represents PM when PM is absent.
    - b. Staff supervision consistent with paragraph IIB2, above.
    - c. Responsible to PM for administration and operation of PM section.
    - d. Will be present at CP when PM is absent.
    - e. Additional duties, annex C. Omitted.
  - 4. Criminal investigator duties.
    - a. Reports to assistant PM.
    - b. Supervises assistant criminal investigator.
    - c. Assists the assistant PM in the CP as directed.
    - d. Conducts investigations and surveys.
    - e. Additional duties, annex D. Omitted.
  - 5. Operations sergeant duties.
    - a. Reports to assistant PM.
    - b. Responsible for erection, dismantling, and movement of PM section, CP tent, and supplies.
    - c. Supervises all EM in PM section except assistant criminal investigator.
    - d. Maintains PM section situation and operations map.
    - e. Requires secret security clearance.
    - f. Additional duties, annex E. Omitted.
- C. Military Police Company.
- 1. Operational control by PM.
  - 2. Commanded by company commander who will—
    - a. Continually estimate the MP situation.
    - b. Use observation, patrols, liaison, and personal reconnaissance to maintain current operations and to prepare for future operations.
    - c. Go where he can best control the action of his company as a whole at critical times and will be personally present where he can best influence action.
  - 3. Escort guard officer.
    - a. Commands company in absence of company commander.
    - b. In charge of company CP and maintains communications with the PM section and the division.

---

(Classification)

---

(Classification)

- c. Coordinates activities of MP at division PW collecting point.
  - d. Performs appropriate PW operations. See paragraph IVC7, below.
  - e. Supervises company training in PW and civilian internee policies, principles, and techniques.
4. Company commander will implement MP plans and make recommendations to PM concerning present or future operations.
  5. MP company SOP, annex F. Omitted.

### III. INTELLIGENCE

- A. Prisoners of War, Captured Documents, and Materiel. All personnel assigned to MP company will receive orientation training on appropriate intelligence matters within 24 hours after assignment.
- B. PM section and MP company comply with Intelligence Annex.
- C. Police intelligence operations support the command intelligence program.

### IV. OPERATIONS

- A. Orders.
  1. Assistant PM coordinates traffic control plan with division traffic headquarters.
  2. Traffic control plan, when incorporated into the traffic circulation plan, will be issued as an annex to appropriate division operations or administrative order.
  3. Traffic controls, when not part of the traffic circulation plan, will be shown under appropriate portion, division administrative order or applicable administrative/logistic annexes to the division operations order.
  4. Straggler controls and disposition will be shown under appropriate portion (discipline, law and order), division administrative order or administrative/logistic annexes to the division operations order.
  5. PW collecting point location shown under appropriate portion, division administrative order, or administrative/logistic annexes to the division operations order.
  6. Maximum use will be made of overlays, tables, and charts.
  7. MP company commander will issue standing orders to MP regarding uniform, deportment, use of weapons, vehicles, and radios.

---

(Classification)

---

 (Classification)

8. All officers assigned to the MP company will be placed on orders as summary court officers for the purpose of taking oaths.
- B. Security. Comply with appropriate paragraph or annex, division SOP.
- C. MP Operations.
1. MP company mission is to provide MP services to division.
  2. Capabilities of MP company are set forth in TOE. Time expended on additional duties, such as counterguerrilla activities, route reconnaissance, posting temporary route signs, and other such duties is unpredictable and will reduce the company capabilities.
- ★3. Employment of MP platoons. Unit integrity will be maintained down to and including the squad.
- a. In division area (EXCLUSIVE OF AREAS OCCUPIED BY COMMITTED BRIGADES).
    - (1) One platoon (plus or minus) for traffic control (TCP and traffic patrols) and circulation control of individuals with TCP acting as straggler control posts. Traffic patrols also enforce military laws, orders, and regulations and collect stragglers, AWOL, and deserters.
    - (2) One platoon (plus or minus) for PW collecting point, temporary confinement facility, protecting individuals and property, and assisting in handling refugees and DP.
  - b. In entire division area (INCLUDING SUPPORT TO COMMITTED BRIGADES AND TASK FORCE).
    - (1) One platoon (plus or minus) in support of or attached to a task force and/or one or more committed brigades. MP will not be attached except in those cases where MP cannot be directed by and/or supported by the MP company. When attached, MP will be commanded by and will be the responsibility of the brigade or task force commander.
    - (2) One platoon (plus or minus) in the division area; exclusive of the brigade or task force areas where MP are operating.
4. Traffic control. The nuclear battlefield increases the requirement for efficient ground movement. The characteristics of such movements are speed, control, security, and secrecy. To reduce vulnerability to nuclear fires, the division may use multiple predesignated routes.
    - a. Traffic control planning. Division transportation section is the nucleus of division traffic headquarters, with representation from PM, engineer, signal, and other

---

 (Classification)



(Classification)

sections. Division transportation section coordinates air and ground transportation requirements with capabilities and assists G3 and G4 in preparing transportation and highway regulation plans, orders, and reports. Establishes necessary coordination with ground transport moving into and out of the division area. Highway regulation plans are implemented by the PM and engineer in the field of traffic control.

b. Efficient use of MP.

- (1) Movement on multiple routes during periods of poor visibility and the existence of major intersections along routes increase control problems. Aircraft organic to division should be used for assistance in traffic control and transportation of traffic control personnel.
- (2) Minimum essential traffic control posts should be used both when the division is in position and when moving. In conjunction with group control posts and consistent with tactical security requirements, aerial and mobile ground control teams can be used with each column. Aerial control teams can land and control situations until relieved by a ground control team.
- ★(3) There may be frequent situations where the requirements exceed the capabilities of the MP company. If so, the company will require augmentation from higher headquarters. PM will notify company commander of ETA of platoon(s). Company commander will make necessary arrangements for administration, mess, supply, and training of platoon(s).
- (4) Locations to be most frequently considered as TCP sites are at junction of MSR and road leading to division main CP; at points leading into the division area from the rear; at critical points on lateral roads in rear of committed brigades; at entrances to division supply installations (need not be on 24-hour basis); in villages; at defiles; at critical or damaged bridges; and at intersections where traffic conflicts.
- ★(5) Each TCP and/or traffic patrol will have a radio equipped vehicle or portable radio.
- (6) Traffic patrols and fixed TCP also aid in such duties as straggler control and enforcement of laws, orders, and regulations.
- (7) Traffic patrols operate between all fixed TCP and

(Classification)

---

(Classification)

straggler control posts in order to maintain contact. Patrol routes vary according to the road net, the tactical situation, and command requirements. Duties are essentially the same on all patrols and include road and bridge reconnaissance; operation of mobile checkpoints; enforcement of military security measures; convoy escort; installation and repair of temporary traffic and directional signs; emergency traffic control duties at scenes of traffic accidents; providing road and traffic information; keeping refugees and DP off MSR; investigating offenses and incidents; enforcing orders and regulations; straggler control; relaying current operational instructions; and other military police duties.

- c. Motor movements.
  - (1) MP company enforces movement restrictions outlined in appropriate paragraph, division SOP.
  - (2) PM section will provide MP company with march schedule and/or convoy movements as necessary.
- 5. Control of individuals. This paragraph sets forth the PM implementation of the appropriate portion (discipline, law, and order), division SOP.
  - a. The purpose of control of circulation of individuals is to insure the unimpeded flow of traffic; apprehend stragglers and absentees; apprehend sympathizers and agents of enemy forces; protect property from theft or sabotage; restrict entry to buildings or localities; and enforce necessary restrictions upon local inhabitants, refugees, and DP.
  - b. Control and displacement of refugees and DP will be coordinated with G5 by PM section. MP will keep civilians off MSR by directing them to other roads.
  - c. The PM section will recommend straggler control measures to GI as the situation changes. Straggler control will be exercised along main routes, principal defiles, and other natural lines of drift. PM will coordinate with adjacent divisions.
  - d. All MP posts and patrols will have straggler control as an additional duty.
  - e. A straggler collecting point will be located at a key intersection along the division MSR. Sufficient MP personnel will be assigned to this point to operate the collecting point and also a TCP.
    - (1) Current straggler list will be maintained.
    - (2) Record will be maintained showing name; rank, service number; unit; time, place, and reason for apprehension; identity of apprehending MP; and disposition of straggler.

---

(Classification)

---

(Classification)

- (3) Stragglers on whom immediate disposition cannot be made will be delivered to the temporary confinement facility at the MP company for disposition.
  - (4) MP company will arrange for disposition of personnel assigned to division or attached units. PM section arranges disposition of personnel from other than division.
- f. Types of stragglers.
- (1) Personnel who have lost their way and are attempting to rejoin their unit. Directed to unit or delivered to collecting point for transportation as appropriate.
  - (2) Personnel running away for no apparent cause. From forward area unit, will be returned to their units with weapons. From rear units, returned to their units under guard without weapons.
  - (3) Personnel who, it appears, cannot be held responsible for their actions by reason of their dazed or shocked condition. Treated for shock and evacuated through medical channels.
  - (4) Wounded personnel. Delivered to nearest medical installation.
- g. All stragglers searched immediately upon apprehension.
- h. MP spot check vehicles not in convoy for stragglers.
- i. DAC, ARC personnel, civilian technicians, and accredited press representatives will have appropriate DA identification. Division identification will permit entry into division restricted areas.
6. Temporary confinement facility.
- a. Escort guard officer, MP company, will be in charge of facility in addition to his other duties.
  - b. A temporary confinement facility will be maintained as required for the temporary detention of stragglers pending disposition, tried and sentenced prisoners awaiting transfer to the army stockade, and untried accused personnel who by reason of their actions or conditions are beyond the guarding capabilities of their parent unit.
  - ★c. Facility will be located near the MP company to facilitate mess, transportation, and supply. Construction material as required will be provided by engineers.
  - d. Sentenced personnel will be accepted in the facility upon the written order of the courts-martial convening authority (or his authorized representative) stating name, grade, service number, organization of prisoner, offense

---

(Classification)

---

(Classification)

of which convicted, and the sentence. In a static situation, such personnel will be delivered to the army stockade immediately upon notification of approval of sentence and receipt of special orders directing transfer. In a mobile situation, confinement in the division area should be held to an absolute minimum with emphasis placed on transfer to the army stockade as expeditiously as possible.

- e. Pretrial confinement will be resorted to only to insure the presence of the accused at the trial or, when for other reasons, such as the seriousness of the offense or threatened violence, confinement is considered essential. Persons for whom pretrial confinement is justified will be accepted by the facility on written order of the accused's commanding officer. The order will state the accused's name, grade, organization, offense charged, and the reason for pretrial confinement. The order will bear the concurrence of the Staff Judge Advocate or a statement that he has concurred in the confinement.
7. Prisoners of war.
- a. One central PW collecting point normally will be established in the division area. It will be in defilade, near water, near the MRS, and far enough to the rear to avoid minor fluctuations of the line and reduce escape risks. Forward collecting points are established with committed brigades as required.
  - b. The escort guard officer, MP Company, will be in charge of the PW collecting point.
  - ★c. OIC PW collecting point is authorized direct communication with Class I supply point, engineer, surgeon, division traffic headquarters, and chaplain in PW matters.
  - d. PW delivered to forward collecting point by capturing troops.
  - e. Army is responsible for evacuation of PW from division.
  - f. Corps responsible for evacuation only when operating independently. Corps may request selected PW for interrogation. Such requests from corps will be coordinated with the PM section.
  - g. Processing at collecting point :
    - (1) Search, count, and segregate.
    - (2) Interrogation by IPW team.
    - (3) Issue PW tags.
    - (4) Receipt for PW and property to delivering guards.
    - (5) Medical treatment, hospitalization as required.
    - (6) Food and cigarettes only after interrogation.
    - (7) Issue clothing and bedding as required.
  - h. PW will be permitted to retain :
    - (1) Metal helmets.

---

(Classification)

---

(Classification)

- (2) Protective masks and like articles issued for personal protection.
- (3) Effects and articles used for clothing and feeding.
- (4) Identification tags or cards; badge of rank, nationality, and decoration; and articles having a personal or sentimental value.
- i. PW valuables and personal effects forwarded with PW guard when evacuated from division.
- ★j. Death of PW. Certificate of Death, DA Form 2669-R, will be executed by the attending medical officer. The deceased will be transported to the nearest graves registration section for appropriate action.

## V. LOGISTICS

## A. General. Omitted.

## B. Materiel and Services.

## 1. Supply.

## a. Class I.

- ★(1) MP company and army escort guards ration at mess provided by division headquarters company.
- (2) CO, MP company, coordinates mess schedule with CO, division headquarters company, to include rations for stragglers and military prisoners detained in temporary confinement facilities.
- ★(3) OIC PW collecting point authorized direct communication with Class I supply point for PW rations.

## b. Classes II and IV.

- (1) PM section obtain through MP company.
- (2) MP company obtains from division support command.
- (3) OIC temporary confinement facility and PW collecting point authorized requisition from division support command.

## c. Class III. From division support command.

## d. Class V. Division support command.

## e. Class VI. Omitted.

## f. Class VII. Division support command.

## g. Class VIII. Omitted.

## h. Class IX. Division support command.

## i. Class X. Omitted.

- ★j. Water. All water except that secured from engineer WSP will be considered contaminated. Water from nearest WSP.

---

(Classification)

---

 (Classification)

- k. Salvage. MP company deliver to division salvage collecting point.
  - l. Captured materiel. Omitted.
  - m. Air delivery. Omitted.
2. Transportation.
- a. For additional transportation, coordination will be by assistant PM.
  - b. Division has organic aircraft. Request for aircraft for traffic control or aerial reconnaissance will be made to the division traffic headquarters through the assistant PM.
3. Service. Omitted.

## VI. PERSONNEL

### A. Strengths.

- 1. See organizational chart, annex A. Omitted.
- ★2. Request for additional MP support will be initiated by PM section and coordinated with G3 section.
- 3. Traffic control posts and straggler collecting points combined to maximum. Minimum of two MP on duty at each TCP and traffic patrol at all times.
- 4. Three-man teams will be used as planning factor to establish and operate one-man security posts on a 24-hour continuing basis.
- 5. A minimum of one squad will be assigned to the temporary confinement facility when the facility operates.
- 6. A minimum of one squad will be assigned to the PW collecting point when operating.
- ★7. Unit integrity will be maintained down to and including the squad whenever possible.
- ★8. MP company will maintain a reserve by alerting personnel assigned to the next regularly scheduled relief.

### B. Replacements.

- ★1. PM section replacements provided by MP company.
- ★2. MP company will requisition individual replacements through division administration company.

### C. Discipline, Law and Order.

- 1. Personnel awaiting trial remain with their units while in combat except as stated in paragraph IVC6e, above.
- 2. In occupied areas, MP have authority and jurisdiction and

---

 (Classification)

(Classification)

are empowered to enforce laws and rules and to make apprehensions within division area without regard to nationality, service, or civilian status and to utilize any US military personnel to assist them.

3. In nonoccupied countries, status of forces agreement applies.

D. Medical/Evacuation and Hospitalization.

1. Stragglers. See paragraph IVC5f(3) and (4), above.

2. PW. Sick or wounded PW delivered to nearest medical installation for evacuation.

E. Prisoners of War. See paragraph IVC7, above.

F. Recovery and Disposition. Omitted.

G. Morale and Personnel Services. Omitted.

H. Personnel Procedures. Omitted.

I. Interior Management. Omitted.

J. Civilian Personnel. Omitted.

K. Miscellaneous. Omitted.

VII. CIVIL AFFAIRS. Omitted.

VIII. COMMAND AND SIGNAL.

A. Command Posts.

1. PM section normally located at division main CP or per division SOP.

2. MP company normally located with division headquarters company at division main CP or per division SOP.

B. Liaison. Omitted.

C. Signal Communications. Omitted.

D. Reports.

1. Criminal investigators will submit reports in accordance with current regulations.

2. DA Form 2819, Provost Marshal Activities, will be prepared for forwarding to army by the fifth day of the month following the reported period.

★3. Report of division stragglers apprehended will be forwarded to AG. Report of nondivisional stragglers apprehended, annex G. Omitted.

4. Daily PW status report to G1, annex H. Omitted.

5. Troop movement report to division traffic headquarters as required.

(Classification)

(Classification)

6. MP company submit daily to PM:
  - a. Personnel, vehicle, and radio status report, annex I. Omitted.
  - b. Stragglers apprehended, annex G. Omitted.
  - c. PW status, annex H. Omitted.
  - d. Military prisoners, annex J. Omitted.

E. Orders and Distribution.

1. PM section and MP company receive distribution of one copy each, division operation orders and the administrative orders, if published.
2. This SOP is required reading for all newly assigned officers, warrant officers, and enlisted men in grades of E6 and above.

WHITE  
LTC  
PM

ANNEXES: OMITTED  
DISTRIBUTION:  
OFFICIAL:

/S/ Black  
BLACK  
Asst PM

(Classification)



**APPENDIX C**  
**PROVOST MARSHAL STAFF COORDINATION IN FUNCTIONAL**  
**AREAS OF MILITARY POLICE SUPPORT**

FUNCTIONAL AREA	STAFF MEMBER																				
	G1	G2	G3	G4	G5	AG	Avn Off	Cml Off	Engr	HQ Comdt	IG	Sig Off	SJA	Surgeon	Chaplain	FAO	TO	AD Off	ASA Rep	INTC Rep	
Traffic Control .....			X	X	O		O		X			O					X				
Physical Security .....		X	X	X					O	O		O		O		X		O	O	O	
Command Post Security .....	X	O	O	O	O			O		X		O						O	O		
Prisoners of War .....	X	X	O	X		O			O				O	O	O		X				O
Circulation Control of Individuals .....	X	X	X	O	X	O			O	O		O	O					O	O	O	
Crime Prevention .....	X	O		O	O					O	O		X		O	O			O	O	
Criminal Investigation .....	X	O			O	O				O	O		X		O	O			O	O	
Discipline, Law and Order .....	X	O	O	O	O	O				O	O		X		O						
Military Prisoners .....	X					O			O	O	O		X	O	O		X				
Aid to Civil Authorities .....	X	O	O	O	X		O	O	O		O	O	X	O					O	O	
Rear Area Security .....		O	X	O	O		O	O	O	O		O		O							
Area Damage Control .....	O	O	O	X	O		O	O	O	O		O		O					O	O	
Civilian Internees .....	X	X	O	X	X	O							O	O	O		O				O
Police Intelligence .....	O	X	O	O	X			O	O	O	O	O	O	O					X	X	
Populace and Resources Control ....	X	X	X	O	X	O		O	O				X	O		O					O

LEGEND: X-Primary Interest  
O-Secondary Interest

## APPENDIX D

## USE OF NONAIR DEFENSE WEAPONS AGAINST AIRCRAFT

**D-1. Concept**

a. The substantial low altitude air threat faced by units in the combat theater may be partially countered by aggressive use of the large volume of fire which nonair defense weapons; e.g., small arms and automatic weapons, can place against this threat.

b. Exercise of the individual and collective right of self-defense against hostile aircraft must be emphasized.

c. Indiscriminate use of nonair defense weapons must be prevented. Engagement of hostile aircraft in immediate self-defense will be most frequent and training emphasis should reflect this.

**D-2. Rules of Engagement**

In the absence of orders to the contrary, individual weapon operators will engage attacking aircraft. Engagement of all other hostile aircraft will be on orders (based on SOP) issued through the unit chain of command and will be supervised by unit leaders. Nothing in this rule is to be taken as requiring actions prejudicial to accomplishment of the primary mission of the unit.

**D-3. Techniques**

a. *Engagement of Low Speed Aircraft.* In accordance with the rules of engagement, engage low speed enemy aircraft with aimed fire, employing the maximum weapon rate of fire. Aerial gunnery techniques generally applicable to all small arms and automatic weapons are presented in FM 23-65.

b. *Engagement of High Speed Aircraft.* In accordance with the rules of engagement, engage high speed enemy aircraft with maximum fire aimed well in front of the aircraft and above its flight path in order to force it to fly through a pattern of fire.

c. *Use of Tracer Ammunition.* Automatic weapons should utilize the highest practical pro-

portion of tracer ammunition to enhance the deterrent or disruptive effect.

d. *Massed Fire.* Units should employ a massed fire technique when using small arms and automatic weapons in an air defense role; i.e., unit leaders should direct fires so as to mass the available fires against a selected target(s).

**D-4. SOP Items**

Unit SOP should cover, but not be limited to, the following items relevant to engagement of aircraft with nonair defense weapons.

a. *Applicability.* (Operators of designated weapons.)

b. *Relation to Primary Mission.* (Primary mission is never prejudiced.)

c. *Relation to Passive Air Defense.* (The necessity for aggressively engaging hostile aircraft is balanced with the requirement to place in proper perspective the tactic of withholding fire to preclude disclosure of position.)

d. *Authority to Engage.* (Authority to engage attacking aircraft delegated to individual weapons operators, except when explicitly denied. Authority to engage all other hostile aircraft on orders through unit chain of command, subject to local and theater SOP.)

e. *Rules of Engagement.* (Normally self-defense only against all attacking aircraft or as ordered.)

f. *Rules for Withholding Fire.* (When ordered. When not positive that aircraft are actually attacking or otherwise hostile. When friendly aircraft or troops are endangered.)

g. *Position selection.* (Applicable only to weapons specifically assigned an air defense role; e.g., designated single barrel caliber .50 machine-guns.)

h. *Firing Techniques.* (Lead and superelevation. Massed fire. Maximum rate of fire. Maximum use of tracer ammunition.)

i. *Unit Training Requirements.* (Motivation and discipline. Gunnery. Aircraft recognition.)

## INDEX

	Paragraphs	Page		Paragraphs	Page
Advisory assistance .....	8-9	8-4	Port and border .....	8-4c	8-3
Aid to civil authorities .....	5-12	5-7	Refugee .....	5-8b	5-6
Airborne operations .....	4-17	4-7	Riot .....	5-12,	5-7
Airmobile operations .....	4-18	4-7		8-4a(4)	8-2
Amphibious operations .....	4-19	4-8	Traffic .....	5-2,	5-1
Arctic operations .....	4-16c	4-7		9-4c(4)	9-2
Area damage control .....	4-7, 5-13	4-5, 5-7	Convoy escort and security .....	8-6c	8-3
Assistant criminal investigator .....	3-4	3-1	Coordination, staff .....	app C	C-1
Assistant division provost marshal .....	3-3	3-1	Cordon and search operations .....	8-4a(3)	8-2
Augmentation .....	2-2b, 6-4	2-2, 6-1	Crime, prevention and investigation ....	5-9	5-6
Border control .....	8-4c	8-3	Criminal investigation .....	5-9, 6-3	5-6, 6-1
Brigade area operations .....	4-5	4-3	Criminal investigator .....	3-4	3-1
Brigade, separate .....	2-7, 4-20,	2-3, 4-8	Crossings, river .....	4-9	4-5
	9-5	9-2	Curfew .....	8-4a(7)	8-2
Built-up areas .....	4-8	4-5	Damage control, area .....	4-7, 5-13	4-5, 5-7
Capabilities .....	2-2	2-1	Defensive operations .....	4-12	4-6
Checkpoints .....	8-4a(6)	8-2	Defiles .....	4-10	4-6
Circulation control .....	5-8,	5-6	Desert operations .....	4-16a	4-7
	9-4c(2)	9-2	Disasters .....	5-12	5-7
Civil defense .....	5-12	5-7	Discipline, law and order .....	5-10,	5-6
Civil disturbances .....	5-12,	5-7		9-4c(2)	9-2
	8-4a(4)	8-2	Division provost marshal .....	2-3, 3-2	2-2, 3-1
Collection, prisoners of war .....	5-6,	5-5	Elements, subordinate .....	3-9	3-2
	9-4c(1)	9-2	Employment, planning .....	4-2, 9-2	4-1, 9-1
Combat, organization .....	4-3, 8-3,	4-1, 8-1	Escort guard officer .....	3-6	3-2
	9-3	9-1	Evacuation, prisoners of war .....	5-7, 6-2,	5-5, 6-1
Combined operations .....	5-2c	5-3		9-4	9-1
Command and control .....	3-9	3-2	Fortified or built-up areas .....	4-8	4-5
Command and staff .....	3-1	3-1	Functions. (See Support functions.) ....		
Command post security .....	5-4	5-3	Headquarters company .....	2-4	2-3
Communications:			Internal defense:		
Civil police systems .....	7-9	7-7	Advisory assistance .....	8-9	8-4
Commercial systems .....	7-8	7-7	Assistant division provost marshal .....	3-3	3-1
Messenger .....	7-5	7-6	Capabilities and limitations .....	2-2	2-1
Radio .....	7-3	7-1	Communications .....	7-10	7-7
Security .....	7-2	7-1	Company commander .....	3-5	3-2
Sound .....	7-7	7-7	Criminal investigators .....	3-4	3-1
Village radio nets .....	7-10	7-7	Curfew .....	8-4a(7)	8-2
Visual .....	7-6	7-6	Detainee collection .....	2-5b(4)	2-3
Wire .....	7-4	7-3	Discipline, law and order .....	5-10b,	5-6
Company commander .....	3-5	3-2		9-4c(2)	9-2
Company headquarters .....	2-4	2-3	Employment .....	4-1, 5-1c,	4-1
Confinement .....	5-11,	5-7		8-1	8-1
	9-4c(4)	9-2	Escort guard officer .....	3-6	3-2
Control:			Internal security .....	2-2a(17)	2-2
Area damage .....	4-7, 5-13	4-5, 5-7	Military civic action .....	8-8	8-4
Circulation .....	5-8,	5-6	Military police platoon .....	2-5, 3-7	2-3, 3-2
	9-4c(2)	9-2	Military police roles .....	8-2	8-1
Command .....	3-9	3-2	Operations .....	8-4, 9-4	8-1, 9-1
Populace and resources .....	8-4a	8-2			

	Paragraphs	Page		Paragraphs	Page
Organization .....	4-3,8-3, 9-3	4-1, 8-1 9-1	Criminal investigation .....	3-4, 5-9, 6-3	3-1, 5-6 6-1
Planning .....	4-2, 9-2	4-1, 9-1	Crossings, river .....	4-9	4-5
Police intelligence .....	8-5	8-3	Defensive .....	4-12	4-6
Populace and resources control ...	8-4a	8-2	Defiles .....	4-10	4-6
Population surveillance .....	8-4d	8-3	Desert .....	4-16a	4-7
Port and border control .....	8-4c	8-3	Division rear area .....	4-4	4-3
Prisoners .....	5-6j	5-5	Evacuation, prisoners of war .....	5-7, 6-2	5-5, 6-1
Provost marshal .....	2-3	2-2	Fortified areas .....	4-8	4-5
Psychological operations .....	8-7	8-4	Intelligence .....	8-5	8-3
Riot control .....	8-4a(4)	8-2	Jungle .....	4-16b	4-7
Riverine operations .....	9-1-9-5	9-1, 9-2	Law and order .....	5-10, 9-4c(2)	5-6 9-2
Screening and documenting .....	8-4a(5)	8-2	Messenger .....	7-5	7-6
Security platoon leader .....	3-8	3-2	Military prisoners .....	5-11, 9-4c(3)	5-7 9-2
Separate brigades .....	2-7b, 4-20b, 9-5,	2-4 4-8, 9-2	Mountain .....	4-16c	4-7
	6-4	6-1	Offensive .....	4-11	4-6
Tactical operations .....	8-6	8-3	Passage of lines .....	4-15	4-6
Traffic control .....	5-2	5-1	Physical security .....	5-3	5-3
Training .....	8-10	8-4	Planning .....	4-2, 9-2	4-1, 9-1
Intelligence operations .....	8-5	8-3	Prisoners of war .....	5-5-5-7, 6-2, 9-4c(1)	5-4, 5-5 6-1, 9-2
Internal security .....	2-2a(17)	2-2	Rear area security .....	4-6, 5-13	4-5, 5-7
Investigation, criminal .....	5-9, 6-3	5-6, 6-1	Relief .....	4-14	4-6
Investigators, criminal .....	3-4	3-1	Retrograde .....	4-13	4-6
Joint operations .....	8-2d, 9-4	8-1, 9-1	River crossings .....	4-9	4-5
Jungle operations .....	4-16b	4-7	Riverine .....	9-1-9-5	9-1, 9-2
Law and order .....	5-10, 9-4c(2)	5-6 9-2	Separate brigade .....	2-7, 4-20,	2-3, 4-8
Leader, platoon .....	3-7, 3-8	3-2		9-5	9-2
Lines, passage of .....	4-15	4-6	Stability .....	8-1-8-10	8-1, 8-4
Maintenance support .....	2-2b(6), 3-10	2-2 3-2	Tactical .....	8-6	8-3
Messenger .....	7-5	7-6	Traffic control .....	5-2, 9-4c(4)	5-1 9-2
Military civic action .....	8-8	8-4	Organization:		
Military police platoon .....	2-5	2-3	Combat .....	4-3	4-1
Military police platoon leader .....	3-7	3-2	Company headquarters .....	2-4	2-3
Military prisoners .....	5-11, 9-4c(3)	5-7 9-2	Military police platoon .....	2-5	2-3
Mission .....	2-1	2-1	Provost marshal section .....	2-3	2-2
Mountain operations .....	4-16c	4-7	Riverine .....	9-3	9-1
Nonair defense weapons .....	app D	D-1	Security platoon .....	2-6	2-3
Nondivisional support .....	6-1-6-4, 8-3, 9-2	6-1 8-1, 9-1	Separate brigades .....	2-7, 4-20, 9-5	2-3, 4-8 9-2
Offensive operations .....	4-11	4-6	Stability .....	8-3	8-1
Officer, escort guard .....	3-6	3-2	Passage of lines .....	4-15	4-6
Operational control .....	3-2a	3-1	Physical security .....	5-3	5-3
Operations:			Planning considerations .....	4-2, 9-2	4-1, 9-1
Airborne .....	4-17	4-7	Platoon leaders .....	3-7, 3-8	3-2
Airmobile .....	4-18	4-7	Platoons .....	2-5, 2-6	2-3
Amphibious .....	4-19	4-8	Police intelligence .....	8-5	8-3
Arctic .....	4-16c	4-7	Prevention, crime .....	5-9	5-6
Area damage control .....	4-7, 5-13	4-5, 5-7	Prisoners, military .....	5-11, 9-4c(3)	5-7 9-2
Augmentation .....	2-2b, 6-4	2-2, 6-1	Prisoners of war:		
Brigade area .....	4-5	4-3	Collection .....	5-5, 5-6	5-4, 5-5
Brigade, separate .....	4-20	4-8	Evacuation .....	5-7, 6-2, 9-4c(1)	5-5, 6-1 9-2
Built-up areas .....	4-8	4-5	Psychological operations .....	4-2f, 5-8, 8-7	4-1, 5-6 8-4
Circulation control .....	5-8, 9-4c(2)	5-6 9-2	Radio, communications .....	7-3	7-1
Collection, prisoners of war .....	5-6	5-5	Rear area security .....	4-6, 5-13	4-5, 5-7
Command post security .....	5-4	5-3	Refugees .....	5-8b	5-6
Communications .....	7-1-7-10	7-1, 7-7			

	Paragraphs	Page		Paragraphs	Page
Relief operations .....	4-14	4-6	Defensive operations .....	4-12	4-6
Retrograde operations .....	4-13	4-6	Defiles .....	4-10	4-6
River crossings .....	4-9	4-5	Desert .....	4-16a	4-7
Riverine operations .....	9-1-9-5	9-1, 9-2	Fortified areas .....	4-8	4-5
Route security .....	8-6d	8-3	Internal defense .....	8-4	8-1
Screening and documenting .....	8-4a(5)	8-2	Jungle .....	4-16a	4-7
Security:			Law and order .....	5-10	5-6
Command post .....	5-4	5-3	Military prisoners .....	5-11	5-7
Communications .....	7-2	7-1	Mountain .....	4-16c	4-7
Internal .....	2-2a(17)	2-2	Offensive operations .....	4-11	4-6
Physical .....	5-3	5-3	Passage of lines .....	4-15	4-6
Platoon .....	2-6	2-3	Physical security .....	5-3	5-3
Platoon leader .....	3-8	3-2	Prisoners of war .....	5-5-5-7, 6-2	5-4, 5-5, 6-1
Rear area .....	4-6, 5-13	4-5, 5-7	Rear area security .....	4-6, 5-13	4-5, 5-7
Separate brigades .....	2-7, 4-20, 9-5	2-3, 4-8, 9-2	Relief operations .....	4-14	4-6
Sound, communications .....	7-7	7-7	Retrograde operations .....	4-13	4-6
Staff coordination .....	app C	C-1	River crossings .....	4-9	4-5
Standing operating procedures .....	app E	B-1	Riverine operations .....	9-1-9-5	9-1, 9-2
Straggler control .....	5-8a	5-6	Stability operations .....	8-1-8-10	8-1, 8-4
Subordinate elements .....	3-9	3-2	Temporary detention .....	5-11	5-7
Support functions:			Traffic control .....	5-2	5-1
Amphibious .....	4-19	4-8		7-8, 7-9	7-7
Arctic .....	4-16c	4-7	Systems, communications .....	5-2,	5-1
Area damage control .....	4-7, 5-13	4-5, 5-7	Traffic control .....	9-4c(4)	9-2
Built-up areas .....	4-8	4-5	Village radio nets .....	7-10	7-7
Circulation control .....	5-8	5-6	Visual, communications .....	7-6	7-6
Command post security .....	5-4	5-3	Weapons, nonair defense .....	app D	D-1
Confinement .....	5-11	5-7	Wire, communications .....	7-4	7-3
Criminal investigation .....	3-4, 5-9,	3-1, 5-6			

By Order of the Secretary of the Army:

W. C. WESTMORELAND,  
*General, United States Army,*  
*Chief of Staff.*

Official:

KENNETH G. WICKHAM,  
*Major General, United States Army,*  
*The Adjutant General.*

Distribution:

To be distributed in accordance with DA Form 12-11 requirements for Military Police Support—  
Field Army.