



**MICROCHIP**

---

**16-bit MCU and DSC  
Programmer's Reference Manual**

High-Performance Microcontrollers (MCU)  
and Digital Signal Controllers (DSC)

---

---

**Note the following details of the code protection feature on Microchip devices:**

- Microchip products meet the specification contained in their particular Microchip Data Sheet.
- Microchip believes that its family of products is one of the most secure families of its kind on the market today, when used in the intended manner and under normal conditions.
- There are dishonest and possibly illegal methods used to breach the code protection feature. All of these methods, to our knowledge, require using the Microchip products in a manner outside the operating specifications contained in Microchip's Data Sheets. Most likely, the person doing so is engaged in theft of intellectual property.
- Microchip is willing to work with the customer who is concerned about the integrity of their code.
- Neither Microchip nor any other semiconductor manufacturer can guarantee the security of their code. Code protection does not mean that we are guaranteeing the product as "unbreakable."

Code protection is constantly evolving. We at Microchip are committed to continuously improving the code protection features of our products. Attempts to break Microchip's code protection feature may be a violation of the Digital Millennium Copyright Act. If such acts allow unauthorized access to your software or other copyrighted work, you may have a right to sue for relief under that Act.

---

Information contained in this publication regarding device applications and the like is provided only for your convenience and may be superseded by updates. It is your responsibility to ensure that your application meets with your specifications. MICROCHIP MAKES NO REPRESENTATIONS OR WARRANTIES OF ANY KIND WHETHER EXPRESS OR IMPLIED, WRITTEN OR ORAL, STATUTORY OR OTHERWISE, RELATED TO THE INFORMATION, INCLUDING BUT NOT LIMITED TO ITS CONDITION, QUALITY, PERFORMANCE, MERCHANTABILITY OR FITNESS FOR PURPOSE. Microchip disclaims all liability arising from this information and its use. Use of Microchip devices in life support and/or safety applications is entirely at the buyer's risk, and the buyer agrees to defend, indemnify and hold harmless Microchip from any and all damages, claims, suits, or expenses resulting from such use. No licenses are conveyed, implicitly or otherwise, under any Microchip intellectual property rights.

**Trademarks**

The Microchip name and logo, the Microchip logo, dsPIC, KEELOQ, KEELOQ logo, MPLAB, PIC, PICmicro, PICSTART, PIC<sup>32</sup> logo, rfPIC and UNI/O are registered trademarks of Microchip Technology Incorporated in the U.S.A. and other countries.


FilterLab, Hampshire, HI-TECH C, Linear Active Thermistor, MXDEV, MXLAB, SEEVAL and The Embedded Control Solutions Company are registered trademarks of Microchip Technology Incorporated in the U.S.A.

Analog-for-the-Digital Age, Application Maestro, chipKIT, chipKIT logo, CodeGuard, dsPICDEM, dsPICDEM.net, dsPICworks, dsSPEAK, ECAN, ECONOMONITOR, FanSense, HI-TIDE, In-Circuit Serial Programming, ICSP, Mindi, MiWi, MPASM, MPLAB Certified logo, MPLIB, MPLINK, mTouch, Omniscient Code Generation, PICC, PICC-18, PICDEM, PICDEM.net, PICkit, PICtail, REAL ICE, rfLAB, Select Mode, Total Endurance, TSHARC, UniWinDriver, WiperLock and ZENA are trademarks of Microchip Technology Incorporated in the U.S.A. and other countries.

SQTP is a service mark of Microchip Technology Incorporated in the U.S.A.

All other trademarks mentioned herein are property of their respective companies.

© 2005-2011, Microchip Technology Incorporated, Printed in the U.S.A., All Rights Reserved.

 Printed on recycled paper.

ISBN: 978-1-61341-357-9

*Microchip received ISO/TS-16949:2009 certification for its worldwide headquarters, design and wafer fabrication facilities in Chandler and Tempe, Arizona; Gresham, Oregon and design centers in California and India. The Company's quality system processes and procedures are for its PIC<sup>®</sup> MCUs and dsPIC<sup>®</sup> DSCs, KEELOQ<sup>®</sup> code hopping devices, Serial EEPROMs, microperipherals, nonvolatile memory and analog products. In addition, Microchip's quality system for the design and manufacture of development systems is ISO 9001:2000 certified.*

**QUALITY MANAGEMENT SYSTEM**  
**CERTIFIED BY DNV**  
**== ISO/TS 16949:2009 ==**

---



---

## Table of Contents

---



---

	<u>PAGE</u>
<b>SECTION 1. INTRODUCTION</b>	<b>5</b>
Introduction .....	6
Manual Objective .....	6
Development Support .....	6
Style and Symbol Conventions .....	7
Instruction Set Symbols .....	8
<b>SECTION 2. PROGRAMMER'S MODEL</b>	<b>9</b>
16-bit MCU and DSC Core Architecture Overview .....	10
Programmer's Model .....	14
Working Register Array .....	18
Default Working Register (WREG) .....	18
Software Stack Frame Pointer .....	18
Software Stack Pointer .....	19
Stack Pointer Limit Register (SPLIM) .....	19
Accumulator A and Accumulator B (dsPIC30F, dsPIC33F and dsPIC33E Devices) .....	19
Program Counter .....	19
TBLPAG Register .....	19
PSVPAG Register (PIC24F, PIC24H, dsPIC30F and dsPIC33F) .....	19
RCOUNT Register .....	20
DCOUNT Register (dsPIC30F, dsPIC33F and dsPIC33E Devices) .....	20
DOSTART Register (dsPIC30F, dsPIC33F and dsPIC33E Devices) .....	20
DOEND Register (dsPIC30F, dsPIC33F and dsPIC33E Devices) .....	21
STATUS Register .....	21
Core Control Register .....	24
Shadow Registers .....	24
DO Stack (dsPIC33E Devices) .....	25
<b>SECTION 3. INSTRUCTION SET OVERVIEW</b>	<b>37</b>
Introduction .....	38
Instruction Set Overview .....	38
Instruction Set Summary Tables .....	40
<b>SECTION 4. INSTRUCTION SET DETAILS</b>	<b>51</b>
Data Addressing Modes .....	52
Program Addressing Modes .....	61
Instruction Stalls .....	62
Byte Operations .....	64
Word Move Operations .....	66
Using 10-bit Literal Operands .....	69
Software Stack Pointer and Frame Pointer .....	70
Conditional Branch Instructions .....	76
Z Status Bit .....	77
Assigned Working Register Usage .....	78
DSP Data Formats (dsPIC30F, dsPIC33F and dsPIC33E Devices) .....	81
Accumulator Usage (dsPIC30F, dsPIC33F and dsPIC33E Devices) .....	83
Accumulator Access (dsPIC30F, dsPIC33F and dsPIC33E Devices) .....	84
DSP MAC Instructions (dsPIC30F, dsPIC33F and dsPIC33E Devices) .....	84
DSP Accumulator Instructions (dsPIC30F, dsPIC33F and dsPIC33E Devices) .....	88
Scaling Data with the FBCL Instruction (dsPIC30F, dsPIC33F and dsPIC33E Devices) .....	88
Normalizing the Accumulator with the FBCL Instruction (dsPIC30F, dsPIC33F and dsPIC33E Devices) .....	90

# 16-bit MCU and DSC Programmer's Reference Manual

---

Extended-precision Arithmetic using mixed-sign ..... multiplications (dsPIC33E only) 91

---

## **SECTION 5. INSTRUCTION DESCRIPTIONS** **93**

Instruction Symbols ..... 94  
Instruction Encoding Field Descriptors Introduction ..... 94  
Instruction Description Example ..... 98  
Instruction Descriptions ..... 99

---

## **SECTION 6. BUILT-IN FUNCTIONS** **445**

Introduction ..... 446  
Built-in Function List ..... 447

---

## **SECTION 7. REFERENCE** **483**

Instruction Bit Map ..... 484  
Instruction Set Summary Table ..... 486  
Revision History ..... 496

---

## **SECTION 8. INDEX** **497**

---

## **SECTION 9. WORLDWIDE SALES AND SERVICE** **502**

---



---

---

## Section 1. Introduction

---

---

### HIGHLIGHTS

This section of the manual contains the following major topics:

1.1	Introduction .....	6
1.2	Manual Objective .....	6
1.3	Development Support .....	6
1.4	Style and Symbol Conventions .....	7
1.5	Instruction Set Symbols .....	8

# 16-bit MCU and DSC Programmer's Reference Manual

---

## 1.1 INTRODUCTION

Microchip Technology focuses on products for the embedded control market. Microchip is a leading supplier of the following devices and products:

- 8-bit General Purpose Microcontrollers (PIC® MCUs)
- 16-bit Digital Signal Controllers (dsPIC® DSCs)
- 16-bit and 32-bit Microcontrollers (MCUs)
- Speciality and Standard Nonvolatile Memory Devices
- Security Devices (KEELOQ® Security ICs)
- Application-specific Standard Products

Information about these devices and products, with corresponding technical documentation, is available on the Microchip web site ([www.microchip.com](http://www.microchip.com)).

## 1.2 MANUAL OBJECTIVE

This manual is a software developer's reference for the 16-bit MCU and DSC device families. It describes the Instruction Set in detail and also provides general information to assist the development of software for the 16-bit MCU and DSC device families.

This manual does not include detailed information about the core, peripherals, system integration or device-specific information. The user should refer to the specific device family reference manual for information about the core, peripherals and system integration. For device-specific information, the user should refer to the specific device data sheets. The information that can be found in the data sheets includes:

- Device memory map
- Device pinout and packaging details
- Device electrical specifications
- List of peripherals included on the device

Code examples are given throughout this manual. These examples are valid for any device in the 16-bit MCU and DSC families.

## 1.3 DEVELOPMENT SUPPORT

Microchip offers a wide range of development tools that allow users to efficiently develop and debug application code. Microchip's development tools can be broken down into four categories:

- Code generation
- Hardware/Software debug
- Device programmer
- Product evaluation boards

Information about the latest tools, product briefs and user guides can be obtained from the Microchip web site ([www.microchip.com](http://www.microchip.com)) or from your local Microchip Sales Office.

Microchip offers other reference tools to speed the development cycle. These include:

- Application Notes
- Reference Designs
- Microchip web site
- Local Sales Offices with Field Application Support
- Corporate Support Line

The Microchip web site also lists other sites that may be useful references.

## 1.4 STYLE AND SYMBOL CONVENTIONS

Throughout this document, certain style and font format conventions are used. [Table 1-1](#) provides a description of the conventions used in this document.

**Table 1-1: Document Conventions**

Symbol or Term	Description
set	To force a bit/register to a value of logic '1'.
clear	To force a bit/register to a value of logic '0'.
Reset	<ol style="list-style-type: none"> <li>To force a register/bit to its default state.</li> <li>A condition in which the device places itself after a device Reset occurs. Some bits will be forced to '0' (such as interrupt enable bits), while others will be forced to '1' (such as the I/O data direction bits).</li> </ol>
0xnxxx	Designates the number 'xxxx' in the hexadecimal number system. These conventions are used in the code examples. For example, 0x013F or 0xA800.
: (colon)	Used to specify a range or the concatenation of registers/bits/pins. One example is ACCAU:ACCAH:ACCAL, which is the concatenation of three registers to form the 40-bit Accumulator. Concatenation order (left-right) usually specifies a positional relationship (MSb to LSb, higher to lower).
< >	Specifies bit locations in a particular register. One example is SR<7:5> (or IPL<2:0>), which specifies the register and associated bits or bit locations.
LSb, MSb	Indicates the Least Significant or Most Significant bit in a field.
LSB, MSB	Indicates the Least/Most Significant Byte in a field of bits.
lsw, msw	Indicates the least/most significant word in a field of bits
<i>Courier New</i> Font	Used for code examples, binary numbers and for Instruction mnemonics in the text.
<i>Times New Roman</i> <i>Font, Italic</i>	Used for equations and variables.
<b><i>Times New Roman</i></b> <b><i>Font,</i></b> <b><i>Bold Italic</i></b>	Used in explanatory text for items called out from a figure, equation, or example.
<b>Note:</b>	A Note presents information that we want to re-emphasize, either to help you avoid a common pitfall, or make you aware of operating differences between some device family members. A Note can be in a box, or when used in a table or figure, it is located at the bottom of the table or figure.

# 16-bit MCU and DSC Programmer's Reference Manual

## 1.5 INSTRUCTION SET SYMBOLS

The summary tables in [Section 3.2 “Instruction Set Overview”](#) and [Section 7.2 “Instruction Set Summary Table”](#), and the instruction descriptions in [Section 5.4 “Instruction Descriptions”](#) utilize the symbols shown in [Table 1-2](#).

**Table 1-2: Symbols Used in Instruction Summary Tables and Descriptions**

Symbol <sup>(1)</sup>	Description
{ }	Optional field or operation
[text]	The location addressed by text
(text)	The contents of text
#text	The literal defined by text
$a \in [b, c, d]$	“a” must be in the set of [b, c, d]
<n:m>	Register bit field
{label:}	Optional label name
Acc	Accumulator A or Accumulator B
AWB	Accumulator Write Back
bit4	4-bit wide bit position (0:7 in Byte mode, 0:15 in Word mode)
Expr	Absolute address, label or expression (resolved by the linker)
f	File register address
lit1	1-bit literal (0:1)
lit4	4-bit literal (0:15)
lit5	5-bit literal (0:31)
lit8	8-bit literal (0:255)
lit10	10-bit literal (0:255 in Byte mode, 0:1023 in Word mode)
lit14	14-bit literal (0:16383)
lit16	16-bit literal (0:65535)
lit23	23-bit literal (0:8388607)
Slit4	Signed 4-bit literal (-8:7)
Slit6	Signed 6-bit literal (-32:31) (range is limited to -16:16)
Slit10	Signed 10-bit literal (-512:511)
Slit16	Signed 16-bit literal (-32768:32767)
TOS	Top-of-Stack
Wb	Base working register
Wd	Destination working register (direct and indirect addressing)
Wdo	Destination working register (direct and indirect addressing, including indirect addressing with offset)
Wm, Wn	Working register divide pair (dividend, divisor)
Wm * Wm	Working register multiplier pair (same source register)
Wm * Wn	Working register multiplier pair (different source registers)
Wn	Both source and destination working register (direct addressing)
Wnd	Destination working register (direct addressing)
Wns	Source working register (direct addressing)
WREG	Default working register (assigned to W0)
Ws	Source working register (direct and indirect addressing)
Wso	Source working register (direct and indirect addressing, including indirect addressing with offset)
Wx	Source Addressing mode and working register for X data bus prefetch
Wxd	Destination working register for X data bus prefetch
Wy	Source Addressing mode and working register for Y data bus prefetch
Wyd	Destination working register for Y data bus prefetch

**Note 1:** The range of each symbol is instruction dependent. Refer to [Section 5. “Instruction Descriptions”](#) for the specific instruction range.





---

---

## Section 2. Programmer's Model

---

---

### HIGHLIGHTS

This section of the manual contains the following major topics:

2.1	16-bit MCU and DSC Core Architecture Overview .....	10
2.2	Programmer's Model.....	14
2.3	Working Register Array .....	18
2.4	Default Working Register (WREG) .....	18
2.5	Software Stack Frame Pointer .....	18

## 2.1 16-BIT MCU AND DSC CORE ARCHITECTURE OVERVIEW

This section provides an overview of the 16-bit architecture features and capabilities for the following families of devices:

- 16-bit Microcontrollers (MCU):
  - PIC24F
  - PIC24H
  - PIC24E
- 16-bit Digital Signal Controllers (DSC):
  - dsPIC30F
  - dsPIC33F
  - dsPIC33E

### 2.1.1 Features Specific to 16-bit MCU and DSC Core

The core of the 16-bit MCU and DSC devices is a 16-bit (data) modified Harvard architecture with an enhanced instruction set. The core has a 24-bit instruction word, with an 8-bit Op code field. The Program Counter (PC) is 23 bits wide and addresses up to 4M x 24 bits of user program memory space. An instruction prefetch mechanism is used to help maintain throughput and provides predictable execution. The majority of instructions execute in a single cycle.

#### 2.1.1.1 REGISTERS

The 16-bit MCU and DSC devices have sixteen 16-bit working registers. Each of the working registers can act as a data, address or offset register. The 16th working register (W15) operates as a software Stack Pointer for interrupts and calls.

#### 2.1.1.2 INSTRUCTION SET

The instruction set is almost identical for the 16-bit MCU and DSC architectures. The instruction set includes many Addressing modes and was designed for optimum C compiler efficiency.

#### 2.1.1.3 DATA SPACE ADDRESSING

The data space can be addressed as 32K words or 64 Kbytes. The upper 32 Kbytes of the data space memory map can optionally be mapped into program space at any 16K program word boundary, which is a feature known as Program Space Visibility (PSV). The program to data space mapping feature lets any instruction access program space as if it were the data space, which is useful for storing data coefficients.

<p><b>Note:</b> Some devices families support Extended Data Space (EDS) addressing. See the specific device data sheet and family reference manual for more details on this feature.</p>
--

#### 2.1.1.4 ADDRESSING MODES

The core supports Inherent (no operand), Relative, Literal, Memory Direct, Register Direct, Register Indirect, and Register Offset Addressing modes. Each instruction is associated with a predefined Addressing mode group, depending upon its functional requirements. As many as seven Addressing modes are supported for each instruction.

For most instructions, the CPU is capable of executing a data (or program data) memory read, a working register (data) read, a data memory write and a program (instruction) memory read per instruction cycle. As a result, 3-operand instructions can be supported, allowing  $A + B = C$  operations to be executed in a single cycle.

### 2.1.1.5 ARITHMETIC AND LOGIC UNIT

A high-speed, 17-bit by 17-bit multiplier is included to significantly enhance the core's arithmetic capability and throughput. The multiplier supports Signed, Unsigned, and Mixed modes, as well as 16-bit by 16-bit, or 8-bit by 8-bit integer multiplication. All multiply instructions execute in a single cycle.

The 16-bit Arithmetic Logic Unit (ALU) is enhanced with integer divide assist hardware that supports an iterative non-restoring divide algorithm. It operates in conjunction with the REPEAT instruction looping mechanism, and a selection of iterative divide instructions, to support 32-bit (or 16-bit) divided by 16-bit integer signed and unsigned division. All divide operations require 19 cycles to complete, but are interruptible at any cycle boundary.

### 2.1.1.6 EXCEPTION PROCESSING

The 16-bit MCU and DSC devices have a vectored exception scheme with support for up to 8 sources of non-maskable traps and up to 246 interrupt sources. In both families, each interrupt source can be assigned to one of seven priority levels.

## 2.1.2 PIC24E and dsPIC33E Features

In addition to the information provided in [Section 2.1.1 “Features Specific to 16-bit MCU and DSC Core”](#), this section describes the enhancements that are available in the PIC24E and dsPIC33E families of devices.

### 2.1.2.1 DATA SPACE ADDRESSING

The Base Data Space address is used in conjunction with a read or write page register (DSRPAG or DSWPAG) to form an Extended Data Space (EDS) address, which can also be used for PSV access. The EDS can be addressed as 8 M words or 16 Mbytes. Refer to [Section 3. “Data Memory”](#) (DS70595) in the *“dsPIC33E/PIC24E Family Reference Manual”* for more details on EDS, PSV, and table accesses.

**Note:** Some PIC24F devices also support Extended Data Space. Refer to [Section 44. “CPU with EDS”](#) (DS39732) and [Section 45. “Data Memory with EDS”](#) (DS39733) of the PIC24F Family Reference Manual for details.

### 2.1.2.2 AUTOMATIC MIXED-SIGN MULTIPLICATION MODE (dsPIC33E ONLY)

In addition to signed and unsigned DSP multiplications, dsPIC33E devices support mixed-sign (unsigned-signed and signed-unsigned) multiplications without the need to dynamically reconfigure the multiplication mode and shift data to account for the difference in operand formats. This mode is particularly beneficial for executing extended-precision (32-bit and 64-bit) algorithms. Besides DSP instructions, MCU multiplication (MUL) instructions can also utilize either accumulator as a result destination, thereby enabling faster extended-precision arithmetic. Refer to [4.10.1 “Implied DSP Operands \(dsPIC30F, dsPIC33F and dsPIC33E Devices\)”](#) and [4.18 “Extended-precision Arithmetic using mixed-sign multiplications \(dsPIC33E only\)”](#) for more details on mixed-sign DSP multiplications.

### 2.1.2.3 MCU MULTIPLICATIONS WITH 16-BIT RESULT

16x16-bit MUL instructions include an option to store the product in a single 16-bit working register rather than a pair of registers. This feature helps free up a register for other purposes, in cases where the numbers being multiplied are small in magnitude and therefore expected to provide a 16-bit result. See the individual MUL instruction descriptions in [5.4 “Instruction Descriptions”](#) for more details.

### 2.1.2.4 HARDWARE STACK FOR DO LOOPS (dsPIC33E ONLY)

The single-level DO loop shadow register-set has been replaced by 4-level deep DO loop hardware stack. This provides automatic DO loop register save/restore for up to 3 levels of DO loop nesting, resulting in more efficient implementation of nested loops. Refer to [2.19 “DO Stack \(dsPIC33E Devices\)”](#) for more details on DO loop nesting in dsPIC33E devices.

## 2.1.2.5 DSP CONTEXT SWITCH SUPPORT (dsPIC33E ONLY)

In dsPIC33E devices, the DSP overflow and saturation status bits are writable. This allows the state of the DSP Engine to be efficiently saved and restored while switching between DSP tasks. See [2.16.4 “DSP ALU Status Bits \(dsPIC30F, dsPIC33F and dsPIC33E Devices\)”](#) for more details on DSP status bits.

## 2.1.2.6 EXTENDED CALL AND GOTO INSTRUCTIONS

The new CALL.L Wn and GOTO.L Wn instructions extend the capabilities of the CALL Wn and GOTO Wn by enabling 32-bit addresses for computed branch/call destinations. In these enhanced instructions, the destination address is provided by a pair of working registers rather than a single 16-bit register. See the CALL.L and GOTO.L instruction descriptions in [5.4 “Instruction Descriptions”](#) for more details.

## 2.1.2.7 COMPARE-BRANCH INSTRUCTIONS

dsPIC33E/PIC24E devices feature conditional Compare-Branch (CPBxx) instructions. These instructions extend the capabilities of the Compare-Skip (CPSxx) instructions by allowing branches rather than only skipping over a single instruction. See the CPBEQ, CPBNE, CPBGT and CPBLT instruction descriptions in [5.4 “Instruction Descriptions”](#) for more details on compare-branch instructions.

## 2.1.3 dsPIC30F, dsPIC33F, and dsPIC33E Features

In addition to the information provided in [Section 2.1.1 “Features Specific to 16-bit MCU and DSC Core”](#), this section describes the DSP enhancements that are available in the dsPIC30F, dsPIC33F, and dsPIC33E families of devices.

### 2.1.3.1 PROGRAMMING LOOP CONSTRUCTS

Overhead free program loop constructs are supported using the D0 instruction, which is interruptible.

### 2.1.3.2 DSP INSTRUCTION CLASS

The DSP class of instructions are seamlessly integrated into the architecture and execute from a single execution unit.

### 2.1.3.3 DATA SPACE ADDRESSING

The data space is split into two blocks, referred to as X and Y data memory. Each memory block has its own independent Address Generation Unit (AGU). The MCU class of instructions operate solely through the X memory AGU, which accesses the entire memory map as one linear data space. The DSP dual source class of instructions operates through the X and Y AGUs, which splits the data address space into two parts. The X and Y data space boundary is arbitrary and device-specific.

### 2.1.3.4 MODULO AND BIT-REVERSED ADDRESSING

Overhead-free circular buffers (modulo addressing) are supported in both X and Y address spaces. The modulo addressing removes the software boundary checking overhead for DSP algorithms. Furthermore, the X AGU circular addressing can be used with any of the MCU class of instructions. The X AGU also supports bit-reverse addressing, to greatly simplify input or output data reordering for radix-2 FFT algorithms.

### 2.1.3.5 DSP ENGINE

The DSP engine features a high-speed, 17-bit by 17-bit multiplier, a 40-bit ALU, two 40-bit saturating accumulators and a 40-bit bidirectional barrel shifter. The barrel shifter is capable of shifting a 40-bit value, up to 16 bits right, or up to 16 bits left, in a single cycle. The DSP instructions operate seamlessly with all other instructions and have been designed for optimal real-time performance. The MAC instruction and other associated instructions can concurrently fetch two data operands from memory while multiplying two working registers. This requires that

the data space be split for these instructions and linear for all others. This is achieved in a transparent and flexible manner through dedicating certain working registers to each address space.

### 2.1.3.6 EXCEPTION PROCESSING

The dsPIC30F devices have a vectored exception scheme with support for up to 8 sources of non-maskable traps and up to 54 interrupt sources. The dsPIC33F and dsPIC33E have a similar exception scheme, but support up to 118, and up to 246 interrupt sources, respectively. In all three families, each interrupt source can be assigned to one of seven priority levels.

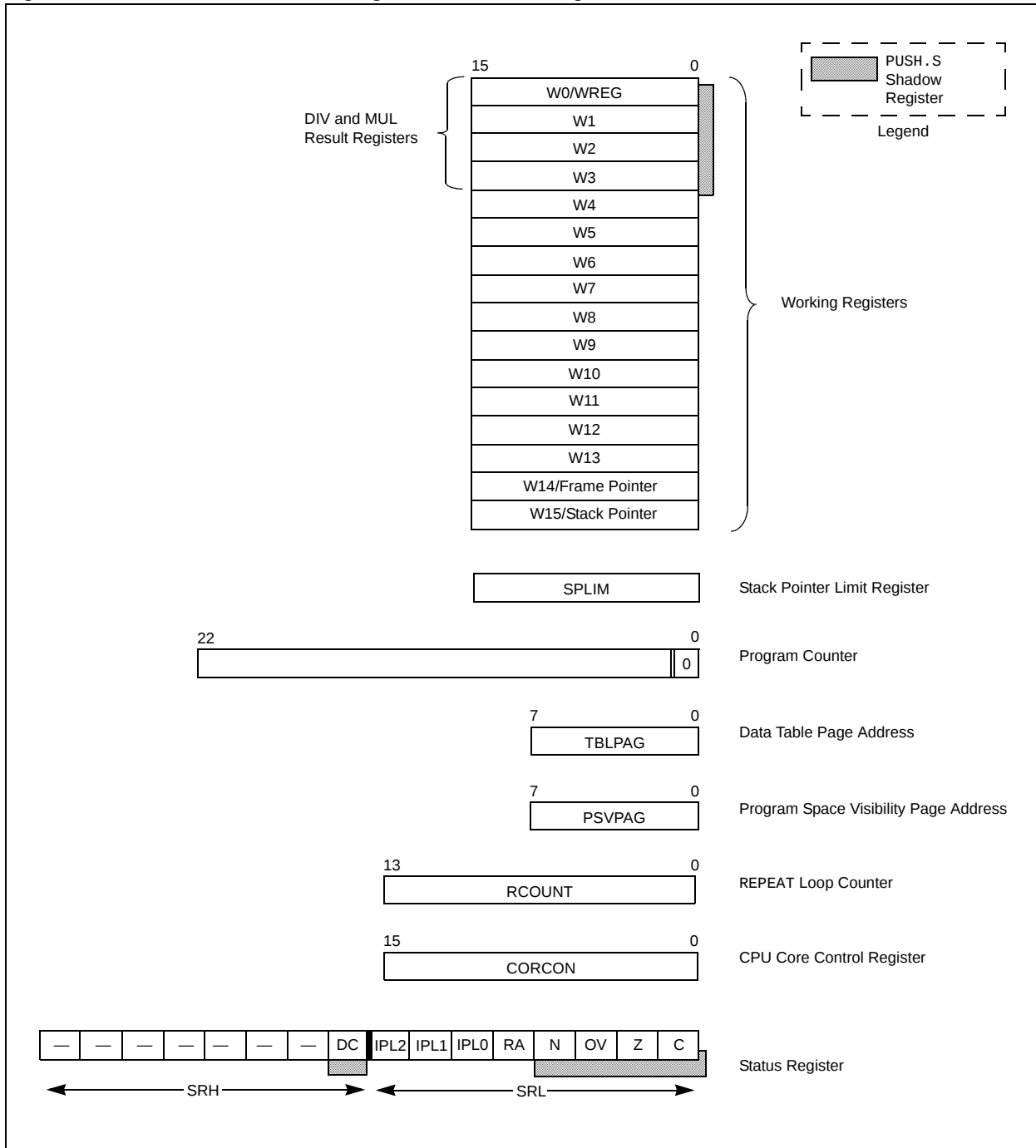
Refer to **Section 6** and **28 “Interrupts”** of the dsPIC30F Family Reference Manual, **Sections 6, 29, 32, 41, 47** and **53** of the dsPIC33F/PIC24H Family Reference Manual and **Section 6** of the dsPIC33E/PIC24E Family Reference Manual, for more details on Exception Processing.

# 16-bit MCU and DSC Programmer's Reference Manual

## 2.2 PROGRAMMER'S MODEL

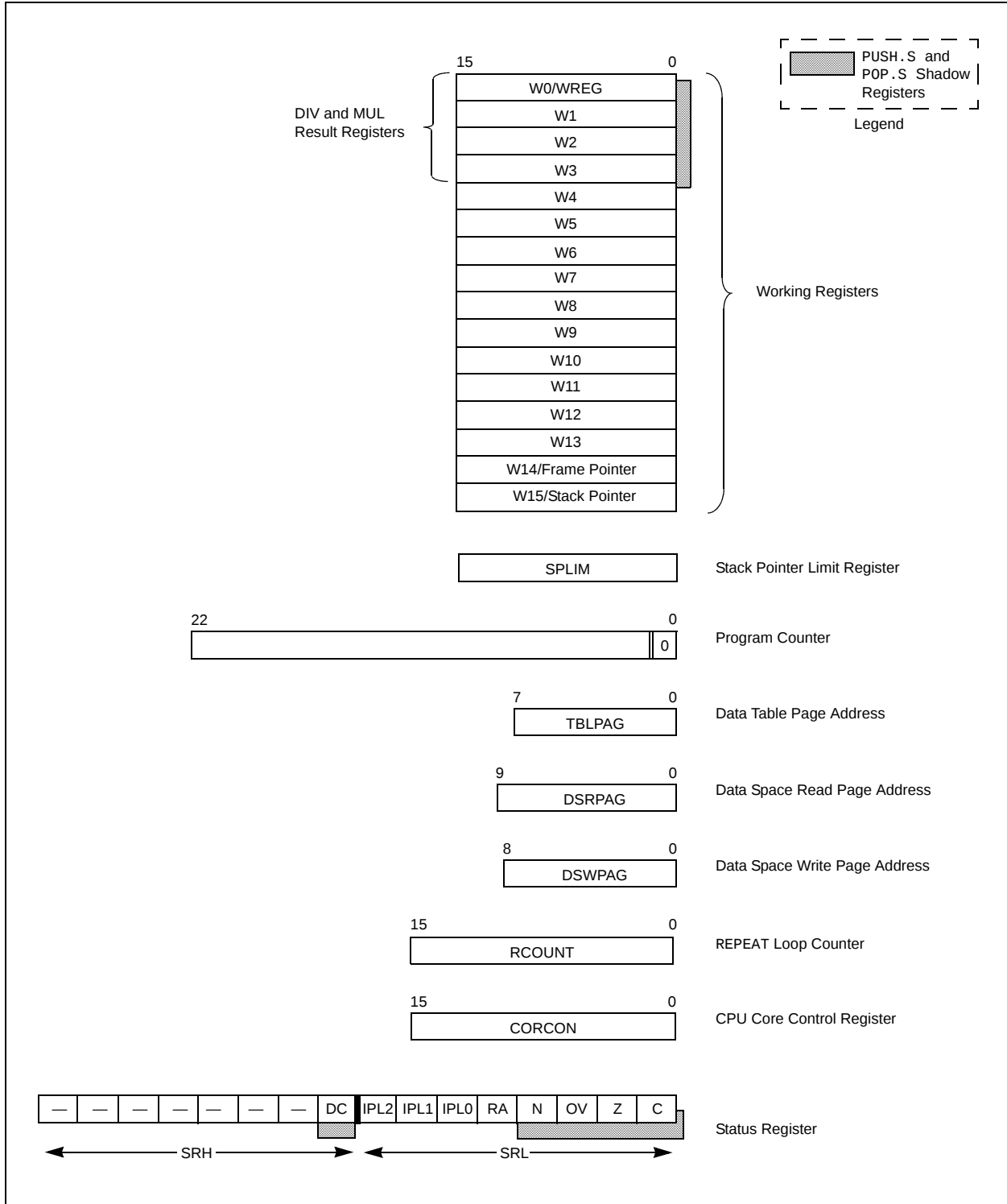
Figure 2-1 through Figure 2-4 show the programmer's model diagrams for the 16-bit MCU and DSC families of devices.

Figure 2-1: PIC24F and PIC24H Programmer's Model Diagram



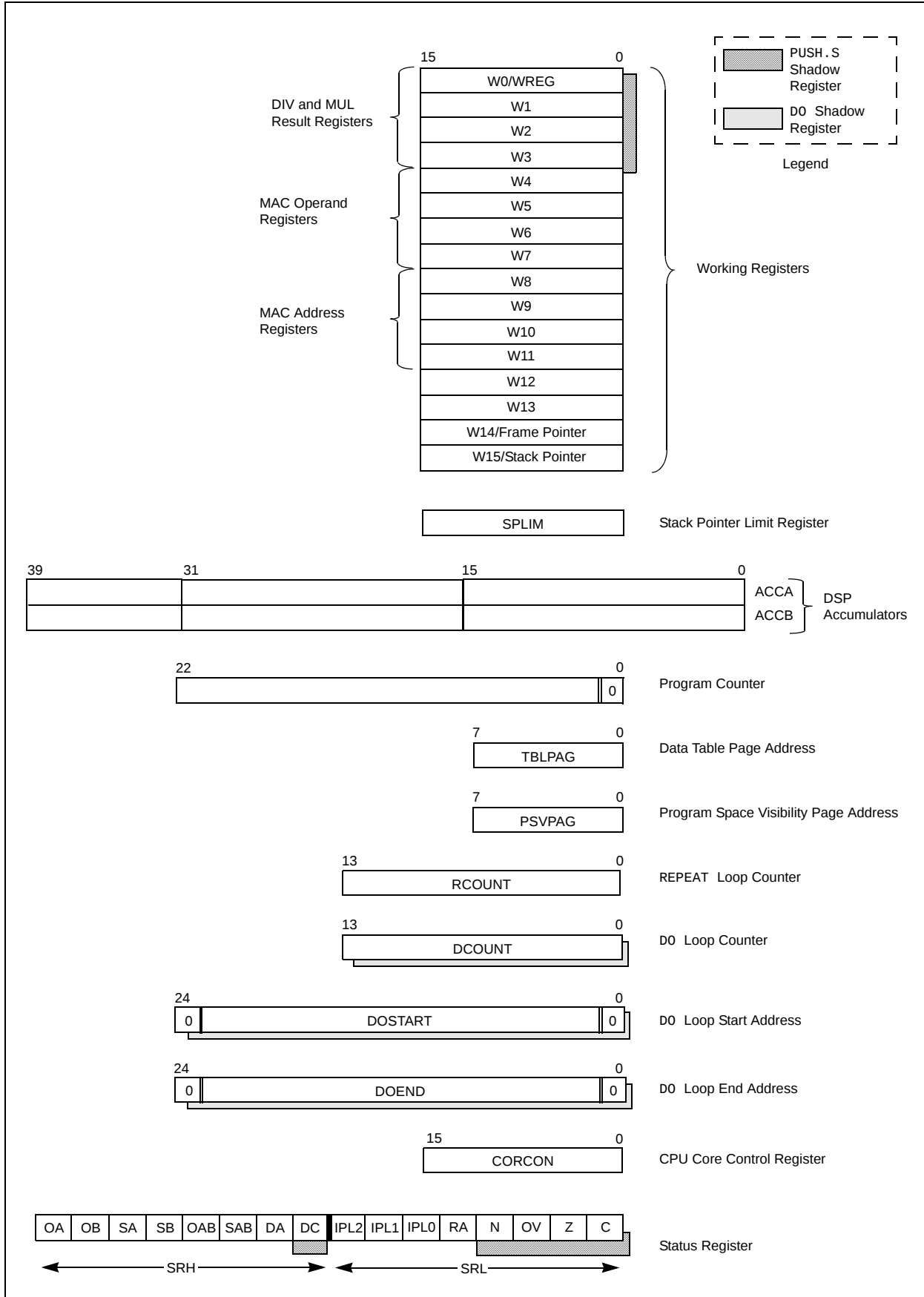
# Section 2. Programmer's Model

Figure 2-2: PIC24E Programmer's Model Diagram



# 16-bit MCU and DSC Programmer's Reference Manual

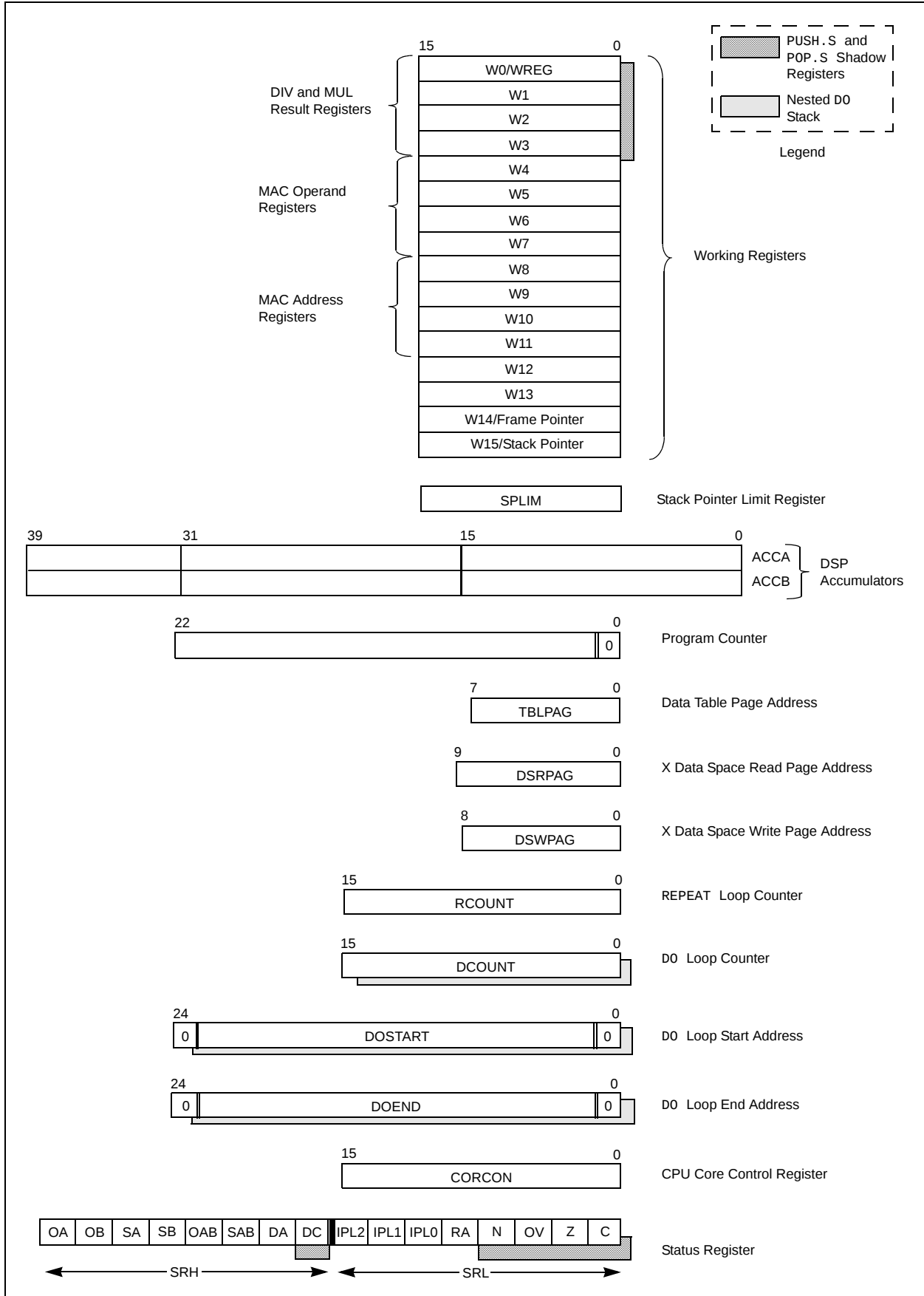
Figure 2-3: dsPIC30F and dsPIC33F Programmer's Model Diagram





# Section 2. Programmer's Model

Figure 2-4: dsPIC33E Programmer's Model Diagram



# 16-bit MCU and DSC Programmer's Reference Manual

All registers in the programmer's model are memory mapped and can be manipulated directly by the instruction set. A description of each register is provided in [Table 2-1](#).

**Note:** Unless otherwise specified, the Programmer's Model Register Descriptions in [Table 2-1](#) apply to all MCU and DSC device families.

**Table 2-1: Programmer's Model Register Descriptions**

Register	Description
CORCON	CPU Core Configuration register
PC	23-bit Program Counter
PSVPAG <sup>(1)</sup>	Program Space Visibility Page Address register
DSRPAG <sup>(2)</sup>	Extended Data Space (EDS) Read Page register
DSWPAG <sup>(2)</sup>	Extended Data Space (EDS) Write Page register
RCOUNT	REPEAT Loop Count register
SPLIM	Stack Pointer Limit Value register
SR	ALU and DSP Engine STATUS register
TBLPAG	Table Memory Page Address register
W0-W15	Working register array
ACCA, ACCB <sup>(3)</sup>	40-bit DSP Accumulators
DCOUNT <sup>(3)</sup>	D0 Loop Count register
DOSTART <sup>(3)</sup>	D0 Loop Start Address register
DOEND <sup>(3)</sup>	D0 Loop End Address register

**Note 1:** This register is only available on PIC24F, PIC24H, dsPIC30F, and dsPIC33F devices.

**2:** This register is only available on PIC24E and dsPIC33E devices.

**3:** This register is only available on dsPIC30F, dsPIC33F, and dsPIC33E devices.

## 2.3 WORKING REGISTER ARRAY

The 16 working (W) registers can function as data, address or offset registers. The function of a W register is determined by the instruction that accesses it.

Byte instructions, which target the working register array, only affect the Least Significant Byte (LSB) of the target register. Since the working registers are memory mapped, the Least *and* Most Significant Bytes can be manipulated through byte-wide data memory space accesses.

## 2.4 DEFAULT WORKING REGISTER (WREG)

The instruction set can be divided into two instruction types: working register instructions and file register instructions. The working register instructions use the working register array as data values or as addresses that point to a memory location. In contrast, file register instructions operate on a specific memory address contained in the instruction opcode.

File register instructions that also utilize a working register do not specify the working register that is to be used for the instruction. Instead, a default working register (WREG) is used for these file register instructions. Working register, W0, is assigned to be the WREG. The WREG assignment is not programmable.

## 2.5 SOFTWARE STACK FRAME POINTER

A frame is a user-defined section of memory in the stack, used by a function to allocate memory for local variables. W14 has been assigned for use as a Stack Frame Pointer with the link (LNK) and unlink (ULNK) instructions. However, if a Stack Frame Pointer and the LNK and ULNK instructions are not used, W14 can be used by any instruction in the same manner as all other W registers. On dsPIC33E and PIC24E devices, a Stack Frame Active (SFA) Status bit is used to support nested stack frames. See [Section 4.7.2 "Software Stack Frame Pointer"](#) for detailed information about the Frame Pointer.

### 2.6 SOFTWARE STACK POINTER

W15 serves as a dedicated Software Stack Pointer, and will be automatically modified by function calls, exception processing and returns. However, W15 can be referenced by any instruction in the same manner as all other W registers. This simplifies reading, writing and manipulating the Stack Pointer. Refer to [Section 4.7.1 "Software Stack Pointer"](#) for detailed information about the Stack Pointer.

### 2.7 STACK POINTER LIMIT REGISTER (SPLIM)

The SPLIM is a 16-bit register associated with the Stack Pointer. It is used to prevent the Stack Pointer from overflowing and accessing memory beyond the user allocated region of stack memory. Refer to [Section 4.7.3 "Stack Pointer Overflow"](#) for detailed information about the SPLIM.

### 2.8 ACCUMULATOR A AND ACCUMULATOR B (dsPIC30F, dsPIC33F AND dsPIC33E DEVICES)

Accumulator A (ACCA) and Accumulator B (ACCB) are 40-bit wide registers, utilized by DSP instructions to perform mathematical and shifting operations. Each accumulator is composed of 3 memory mapped registers:

- AccxU (bits 39-32)
- AccxH (bits 31-16)
- AccxL (bits 15-0)

In dsPIC33E devices, Accumulator A and Accumulator B can also be used as destination registers in MCU MUL.xx instructions. This helps reduce the execution time of extended-precision arithmetic operations.

Refer to [Section 4.12 "Accumulator Usage \(dsPIC30F, dsPIC33F and dsPIC33E Devices\)"](#) for details on using ACCA and ACCB.

### 2.9 PROGRAM COUNTER

The Program Counter (PC) is 23 bits wide. Instructions are addressed in the 4M x 24-bit user program memory space by PC<22:1>, where PC<0> is always set to '0' to maintain instruction word alignment and provide compatibility with data space addressing. This means that during normal instruction execution, the PC increments by 2.

Program memory located at 0x800000 and above is utilized for device configuration data, Unit ID and Device ID. This region is not available for user code execution and the PC can not access this area. However, one may access this region of memory using table instructions. For details on accessing the configuration data, Unit ID, and Device ID, refer to the specific device family reference manual.

### 2.10 TBLPAG REGISTER

The TBLPAG register is used to hold the upper 8 bits of a program memory address during table read and write operations. Table instructions are used to transfer data between program memory space and data memory space. For details on accessing program memory with the table instructions, refer to the family reference manual of the specific device.

### 2.11 PSVPAG REGISTER (PIC24F, PIC24H, dsPIC30F AND dsPIC33F)

Program space visibility allows the user to map a 32-Kbyte section of the program memory space into the upper 32 Kbytes of data address space. This feature allows transparent access of constant data through instructions that operate on data memory. The PSVPAG register selects the 32-Kbyte region of program memory space that is mapped to the data address space. For details on program space visibility, refer to the specific device family reference manual.

## 2.12 RCOUNT REGISTER

The 14-bit RCOUNT register (16-bit for PIC24E and dsPIC33E devices) register contains the loop counter for the REPEAT instruction. When a REPEAT instruction is executed, RCOUNT is loaded with the repeat count of the instruction, either "lit14" for the "REPEAT #lit14" instruction ("lit15" for the "REPEAT #lit15" instruction for PIC24E and dsPIC33E devices), or the 14 LSb of the Wn register for the "REPEAT Wn" instruction (entire Wn for PIC24E and dsPIC33E devices). The REPEAT loop will be executed RCOUNT + 1 time.

- Note 1:** If a REPEAT loop is executing and gets interrupted, RCOUNT may be cleared by the Interrupt Service Routine to break out of the REPEAT loop when the foreground code is re-entered.
- 2:** Refer to the specific device family reference manual for complete details about REPEAT loops.

## 2.13 DCOUNT REGISTER (dsPIC30F, dsPIC33F AND dsPIC33E DEVICES)

The 14-bit DCOUNT register (16-bit for dsPIC33E devices) contains the loop counter for hardware D0 loops. When a D0 instruction is executed, DCOUNT is loaded with the loop count of the instruction, either "lit14" for the "D0 #lit14, Expr" instruction ("lit15" for the "D0 #lit15, Expr" instruction for dsPIC33E devices) or the 14 LSb of the Ws register for the "D0 Ws, Expr" instruction (entire Wn for dsPIC33E devices). The D0 loop will be executed DCOUNT + 1 times.

- Note 1:** In dsPIC30F and dsPIC33F devices, the DCOUNT register contains a shadow register. See [Section 2.18 "Shadow Registers"](#) for information on shadow registers.
- 2:** The dsPIC33E devices have a 4-level-deep, nested D0 stack instead of a shadow register.
- 3:** Refer to the specific device family reference manual for complete details about D0 loops.

## 2.14 DOSTART REGISTER (dsPIC30F, dsPIC33F AND dsPIC33E DEVICES)

The DOSTART register contains the starting address for a hardware D0 loop. When a D0 instruction is executed, DOSTART is loaded with the address of the instruction that follows the D0 instruction. This location in memory is the start of the D0 loop. When looping is activated, program execution continues with the instruction stored at the DOSTART address after the last instruction in the D0 loop is executed. This mechanism allows for zero overhead looping.

- Note 1:** For dsPIC30F and dsPIC33F devices, DOSTART has a shadow register. See [Section 2.18 "Shadow Registers"](#) for information on shadowing.
- 2:** The dsPIC33E devices have a 4-level-deep, nested D0 stack instead of a shadow register. The DOSTART register is read-only in dsPIC33E devices.
- 3:** Refer to the specific device family reference manual for complete details about D0 loops.

### 2.15 DOEND REGISTER (dsPIC30F, dsPIC33F AND dsPIC33E DEVICES)

The DOEND register contains the ending address for a hardware D0 loop. When a D0 instruction is executed, DOEND is loaded with the address specified by the expression in the D0 instruction. This location in memory specifies the last instruction in the D0 loop. When looping is activated and the instruction stored at the DOEND address is executed, program execution will continue from the D0 loop start address (stored in the DOSTART register).

- Note 1:** For dsPIC30F and dsPIC33F devices, DOEND has a shadow register. See [Section 2.18 “Shadow Registers”](#) for information on shadow registers.
- 2:** The dsPIC33E devices have a 4-level-deep, nested D0 stack instead of a shadow register.
- 3:** Refer to the specific device family reference manual for complete details about D0 loops.

### 2.16 STATUS REGISTER

The 16-bit STATUS register maintains status information for the instructions which have been executed most recently. Operation Status bits exist for MCU operations, loop operations and DSP operations. Additionally, the STATUS register contains the CPU Interrupt Priority Level bits, IPL<2:0>, which are used for interrupt processing.

Depending on the MCU and DSC family, one of the following STATUS registers is used:

- [Register 2-1](#) for PIC24F, PIC24H, and PIC24E devices
- [Register 2-2](#) for dsPIC30F and dsPIC33F devices
- [Register 2-3](#) for dsPIC33E devices

#### 2.16.1 MCU ALU Status Bits

The MCU operation Status bits are either affected or used by the majority of instructions in the instruction set. Most of the logic, math, rotate/shift and bit instructions modify the MCU Status bits after execution, and the conditional Branch instructions use the state of individual Status bits to determine the flow of program execution. All conditional branch instructions are listed in [Section 4.8 “Conditional Branch Instructions”](#).

The Carry (C), Zero (Z), Overflow (OV), Negative (N), and Digit Carry (DC) bits show the immediate status of the MCU ALU by indicating whether an operation has resulted in a Carry, Zero, Overflow, Negative result, or Digit Carry. When a subtract operation is performed, the C flag is used as a Borrow flag.

The Z Status bit is useful for extended precision arithmetic. The Z Status bit functions like a normal Z flag for all instructions except those that use a carry or borrow input (ADDC, CPB, SUBB and SUBBR). See [Section 4.9 “Z Status Bit”](#) for more detailed information.

- Note 1:** All MCU bits are shadowed during execution of the PUSH . S instruction and they are restored on execution of the POP . S instruction.
- 2:** All MCU bits, except the DC flag (which is not in the SRL), are stacked during exception processing (see [Section 4.7.1 “Software Stack Pointer”](#)).

#### 2.16.2 REPEAT Loop Status Bit

The REPEAT Active bit (RA) is used to indicate when looping is active. The RA flag indicates that a REPEAT instruction is being executed, and it is only affected by the REPEAT instructions. The RA flag is set to '1' when the instruction being repeated begins execution, and it is cleared when the instruction being repeated completes execution for the last time.

Since the RA flag is also read-only, it may not be directly cleared. However, if a REPEAT or its target instruction is interrupted, the Interrupt Service Routine may clear the RA flag of the SRL, which resides on the stack. This action will disable looping once program execution returns from the Interrupt Service Routine, because the restored RA will be '0'.

## 2.16.3 DO Active bit (DA) (dsPIC30F, dsPIC33F and dsPIC33E Devices)

The DO Active bit (DA) is used to indicate when looping is active. The DO instructions affect the DA flag, which indicates that a DO loop is active. The DA flag is set to '1' when the first instruction of the DO loop is executed, and it is cleared when the last instruction of the loop completes final execution.

The DA flag is read-only. This means that looping is not initiated by writing a '1' to DA, nor is it terminated by writing a '0' to DA. If a DO loop must be terminated prematurely, the EDT bit, CORCON<11>, should be used.

### 2.16.4 DSP ALU Status Bits (dsPIC30F, dsPIC33F and dsPIC33E Devices)

The high byte of the STATUS Register (SRH) is used by the DSP class of instructions, and it is modified when data passes through one of the adders. The SRH provides status information about overflow and saturation for both accumulators. The Saturate A, Saturate B, Overflow A and Overflow B (SA, SB, OA, OB) bits provide individual accumulator status, while the Saturate AB and Overflow AB (SAB, OAB) bits provide combined accumulator status. The SAB and OAB bits provide an efficient method for the software developer to check the register for saturation or overflow.

The OA and OB bits are used to indicate when an operation has generated an overflow into the guard bits (bits 32 through 39) of the respective accumulator. This condition can only occur when the processor is in Super Saturation mode, or if saturation is disabled. It indicates that the operation has generated a number which cannot be represented with the lower 31 bits of the accumulator. The OA and OB bits are writable in dsPIC33E devices.

The SA and SB bits are used to indicate when an operation has generated an overflow out of the MSb of the respective accumulator. The SA and SB bits are active, regardless of the Saturation mode (Disabled, Normal or Super) and may be considered "sticky". Namely, once the SA or SB bit is set to '1', it can only be cleared manually by software, regardless of subsequent DSP operations. When it is required, the BCLR instruction can be used to clear the SA or SB bit.

In addition, the SA and SB bits can be set by software in dsPIC33E devices, enabling efficient context state switching.

For convenience, the OA and OB bits are logically ORed together to form the OAB flag, and the SA and SB bits are logically ORed to form the SAB flag. These cumulative Status bits provide efficient overflow and saturation checking when an algorithm is implemented. Instead of interrogating the OA and the OB bits independently for arithmetic overflows, a single check of OAB can be performed. Likewise, when checking for saturation, SAB may be examined instead of checking both the SA and SB bits. Note that clearing the SAB flag will clear both the SA and SB bits.

### 2.16.5 Interrupt Priority Level Status Bits

The three Interrupt Priority Level (IPL) bits of the SRL, SR<7:5>, and the IPL3 bit, CORCON<3>, set the CPU's IPL which is used for exception processing. Exceptions consist of interrupts and hardware traps. Interrupts have a user-defined priority level between 0 and 7, while traps have a fixed priority level between 8 and 15. The fourth Interrupt Priority Level bit, IPL3, is a special IPL bit that may only be read or cleared by the user. This bit is only set when a hardware trap is activated and it is cleared after the trap is serviced.

The CPU's IPL identifies the lowest level exception which may interrupt the processor. The interrupt level of a pending exception must always be greater than the CPU's IPL for the CPU to process the exception. This means that if the IPL is 0, all exceptions at priority Level 1 and above may interrupt the processor. If the IPL is 7, only hardware traps may interrupt the processor.

When an exception is serviced, the IPL is automatically set to the priority level of the exception being serviced, which will disable all exceptions of equal and lower priority. However, since the IPL field is read/write, one may modify the lower three bits of the IPL in an Interrupt Service Routine to control which exceptions may preempt the exception processing. Since the SRL is stacked during exception processing, the original IPL is always restored after the exception is serviced. If required, one may also prevent exceptions from nesting by setting the NSTDIS bit (INTCON1<15>).

**Note:** For more detailed information on exception processing, refer to the family reference manual of the specific device.

## 2.17 CORE CONTROL REGISTER

For all MCU and DSC devices, the 16-bit CPU Core Control register (CORCON), is used to set the configuration of the CPU. This register provides the ability to map program space into data space.

In addition to setting CPU modes, the CORCON register contains status information about the IPL<3> Status bit, which indicates if a trap exception is being processed.

Depending on the MCU and DSC family, one of the following CORCON registers is used:

- [Register 2-4](#) for PIC24F and PIC24H devices
- [Register 2-5](#) for PIC24E devices
- [Register 2-6](#) for dsPIC30F and dsPIC33F devices
- [Register 2-7](#) for dsPIC33E devices

### 2.17.1 dsPIC30F, dsPIC33F, and dsPIC33E Specific bits

In addition to setting CPU modes, the following features are available through the CORCON register:

- Set the ACCA and ACCB saturation enable
- Set the Data Space Write Saturation mode
- Set the Accumulator Saturation and Rounding modes
- Set the Multiplier mode for DSP operations
- Terminate D0 loops prematurely
- Provide status information about the D0 loop nesting level (DL<2:0>)
- Select fixed or variable interrupt latency (dsPIC33E only)

#### 2.17.1.1 PIC24E and dsPIC33E SPECIFIC BITS

A Status bit (SFA) is available that indicates whether the Stack Frame is active.

**Note:** PIC24E and dsPIC33E devices do not have a PSV control bit, it has been replaced by the SFA bit.

## 2.18 SHADOW REGISTERS

A shadow register is used as a temporary holding register and can transfer its contents to or from the associated host register when instructed. Some of the registers in the programmer's model have a shadow register, which is utilized during the execution of a D0, POP.S, or PUSH.S instruction. Shadow register usage is shown in [Table 2-2](#).

**Note:** The D0 instruction is only available in dsPIC30F, dsPIC33F, and dsPIC33E devices.

**Table 2-2: Automatic Shadow Register Usage**

Location	D0 <sup>(1)</sup>	POP.S/PUSH.S
DCOUNT <sup>(1)</sup>	Yes	—
DOSTART <sup>(1)</sup>	Yes	—
DOEND <sup>(1)</sup>	Yes	—
STATUS Register – DC, N, OV, Z and C bits	—	Yes
W0-W3	—	Yes

**Note 1:** The D0 shadow registers are only available in dsPIC30F and dsPIC33F devices.

For dsPIC30F and dsPIC33F devices, since the DCOUNT, DOSTART and DOEND registers are shadowed, the ability to nest D0 loops without additional overhead is provided. Since all shadow registers are one register deep, up to one level of D0 loop nesting is possible. Further nesting of D0 loops is possible in software, with support provided by the D0 Loop Nesting Level Status bits (DL<2:0>) in the CORCON register (CORCON<10:8>).

**Note:** All shadow registers are one register deep and not directly accessible. Additional shadowing may be performed in software using the software stack.



## 2.19 DO STACK (dsPIC33E DEVICES)

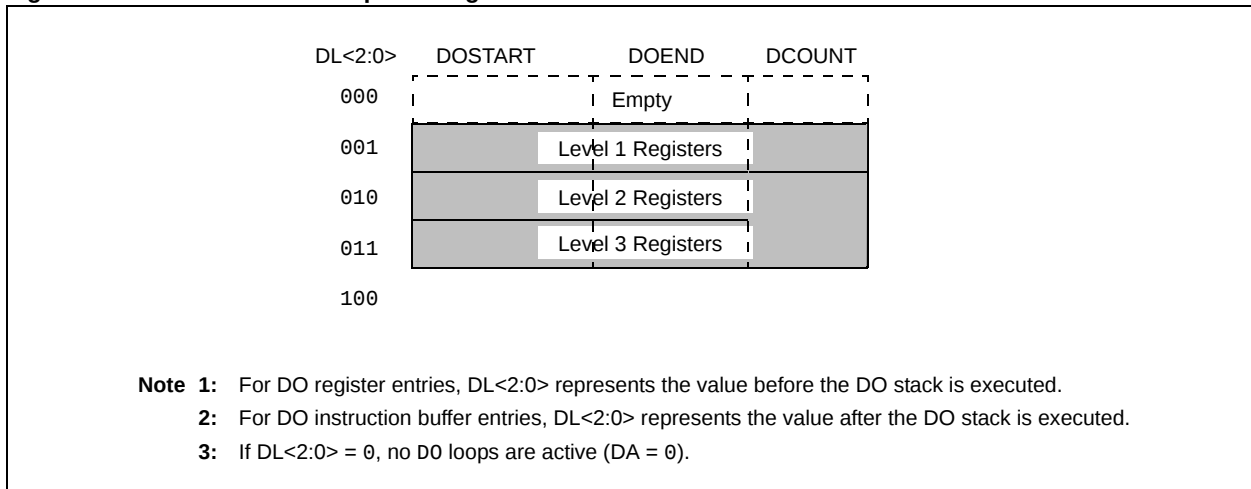
The DO stack is used to preserve the following elements associated with a DO loop underway when another DO loop is encountered (i.e., a nested DO loop).

- DOSTART register value
- DOEND register value
- DCOUNT register value

Note that the DO level status field (DL<2:0>) also acts as a pointer to address the DO stack. After the DO instruction is executed, the DO level status field (DL<2:0>) points to the next free entry.

The DOSTART, DOEND, and DCOUNT registers each have an associated hardware stack that allows the DO loop hardware to support up to three levels of nesting. A conceptual representation of the DO stack is shown in [Figure 2-5](#).

**Figure 2-5: DO Stack Conceptual Diagram**



# 16-bit MCU and DSC Programmer's Reference Manual

**Register 2-1: SR: CPU STATUS Register (PIC24H, PIC24F and PIC24E Devices)**

U-0	U-0	U-0	U-0	U-0	U-0	U-0	R/W-0
—	—	—	—	—	—	—	DC
bit 15							bit 8

R/W-0	R/W-0	R/W-0	R-0	R/W-0	R/W-0	R/W-0	R/W-0
IPL2 <sup>(1,2)</sup>	IPL1 <sup>(1,2)</sup>	IPL0 <sup>(1,2)</sup>	RA	N	OV	Z	C
bit 7							bit 0

<b>Legend:</b>	U = Unimplemented bit, read as '0'
R = Readable bit	W = Writable bit
-n = Value at POR	'1' = Bit is set
	C = Clearable bit
	'0' = Bit is cleared
	x = Bit is unknown

- bit 15-9     **Unimplemented:** Read as '0'
- bit 8       **DC:** MCU ALU Half Carry/Borrow bit  
             1 = A carry-out from the 4th low order bit (for byte-sized data) or 8th low order bit (for word-sized data) of the result occurred  
             0 = No carry-out from the 4th low order bit (for byte-sized data) or 8th low order bit (for word-sized data) of the result occurred
- bit 7-5     **IPL<2:0>:** CPU Interrupt Priority Level Status bits<sup>(1,2)</sup>  
             111 = CPU Interrupt Priority Level is 7 (15). User interrupts disabled  
             110 = CPU Interrupt Priority Level is 6 (14)  
             101 = CPU Interrupt Priority Level is 5 (13)  
             100 = CPU Interrupt Priority Level is 4 (12)  
             011 = CPU Interrupt Priority Level is 3 (11)  
             010 = CPU Interrupt Priority Level is 2 (10)  
             001 = CPU Interrupt Priority Level is 1 (9)  
             000 = CPU Interrupt Priority Level is 0 (8)
- bit 4       **RA:** REPEAT Loop Active bit  
             1 = REPEAT loop in progress  
             0 = REPEAT loop not in progress
- bit 3       **N:** MCU ALU Negative bit  
             1 = Result was negative  
             0 = Result was non-negative (zero or positive)
- bit 2       **OV:** MCU ALU Overflow bit  
             This bit is used for signed arithmetic (2's complement). It indicates an overflow of the magnitude that causes the sign bit to change state.  
             1 = Overflow occurred for signed arithmetic (in this arithmetic operation)  
             0 = No overflow occurred
- bit 1       **Z:** MCU ALU Zero bit  
             1 = An operation that affects the Z bit has set it at some time in the past  
             0 = The most recent operation that affects the Z bit has cleared it (i.e., a non-zero result)
- bit 0       **C:** MCU ALU Carry/Borrow bit  
             1 = A carry-out from the MSb occurred  
             0 = No carry-out from the MSb occurred

- Note 1:** The IPL<2:0> bits are concatenated with the IPL3 bit (CORCON<3>) to form the CPU Interrupt Priority Level. The value in parentheses indicates the IPL, if IPL3 = 1. User interrupts are disabled when IPL<3> = 1.
- 2:** The IPL<2:0> Status bits are read only when the NSTDIS bit (INTCON1<15>) = 1. Refer to the family reference manual of the specific device family to see the associated interrupt register.

## Section 2. Programmer's Model

**Register 2-2: SR: CPU STATUS Register (dsPIC30F and dsPIC33F Devices)**

R-0	R-0	R/C-0	R/C-0	R-0	R/C-0	R-0	R/W-0
OA	OB	SA <sup>(1,2)</sup>	SB <sup>(1,2)</sup>	OAB	SAB <sup>(1,2,3)</sup>	DA <sup>(4)</sup>	DC
bit 15						bit 8	

R/W-0	R/W-0	R/W-0	R-0	R/W-0	R/W-0	R/W-0	R/W-0
IPL2 <sup>(5)</sup>	IPL1 <sup>(5)</sup>	IPL0 <sup>(5)</sup>	RA	N	OV	Z	C
bit 7						bit 0	

**Legend:**

R = Readable bit	W = Writable bit	C = Clearable bit
-n = Value at POR	'1' = Bit is set	'0' = Bit is cleared
		x = Bit is unknown

- bit 15      **OA:** Accumulator A Overflow bit  
1 = Accumulator A overflowed  
0 = Accumulator A has not overflowed
- bit 14      **OB:** Accumulator B Overflow bit  
1 = Accumulator B overflowed  
0 = Accumulator B has not overflowed
- bit 13      **SA:** Accumulator A Saturation bit<sup>(1, 2)</sup>  
1 = Accumulator A is saturated or has been saturated since this bit was last cleared  
0 = Accumulator A is not saturated
- bit 12      **SB:** Accumulator B Saturation bit<sup>(1, 2)</sup>  
1 = Accumulator B is saturated or has been saturated at since this bit was last cleared  
0 = Accumulator B is not saturated
- bit 11      **OAB:** OA || OB Combined Accumulator Overflow bit  
1 = Accumulator A or B has overflowed  
0 = Neither Accumulator A nor B has overflowed
- bit 10      **SAB:** SA || SB Combined Accumulator bit<sup>(1, 2, 3)</sup>  
1 = Accumulator A or B is saturated or has been saturated since this bit was last cleared  
0 = Neither Accumulator A nor B is saturated
- bit 9        **DA:** D0 Loop Active bit<sup>(4)</sup>  
1 = D0 loop in progress  
0 = D0 loop not in progress
- bit 8        **DC:** MCU ALU Half Carry bit  
1 = A carry-out from the MSb of the lower nibble occurred  
0 = No carry-out from the MSb of the lower nibble occurred
- bit 7-5     **IPL<2:0>:** Interrupt Priority Level bits<sup>(5)</sup>  
111 = CPU Interrupt Priority Level is 7 (15). User interrupts disabled  
110 = CPU Interrupt Priority Level is 6 (14)  
101 = CPU Interrupt Priority Level is 5 (13)  
100 = CPU Interrupt Priority Level is 4 (12)  
011 = CPU Interrupt Priority Level is 3 (11)  
010 = CPU Interrupt Priority Level is 2 (10)  
001 = CPU Interrupt Priority Level is 1 (9)  
000 = CPU Interrupt Priority Level is 0 (8)

- Note 1:** This bit may be read or cleared, but not set.
- 2:** Once this bit is set, it must be cleared manually by software.
- 3:** Clearing this bit will clear SA and SB.
- 4:** This bit is read-only.
- 5:** The IPL<2:0> bits are concatenated with the IPL3 bit (CORCON<3>) to form the CPU Interrupt Priority Level. The value in parentheses indicates the IPL, if IPL3 = 1.

# 16-bit MCU and DSC Programmer's Reference Manual

---

## Register 2-2: SR: CPU STATUS Register (dsPIC30F and dsPIC33F Devices) (Continued)

bit 4	<b>RA:</b> REPEAT Loop Active bit 1 = REPEAT loop in progress 0 = REPEAT loop not in progress
bit 3	<b>N:</b> MCU ALU Negative bit 1 = The result of the operation was negative 0 = The result of the operation was not negative
bit 2	<b>OV:</b> MCU ALU Overflow bit 1 = Overflow occurred 0 = No overflow occurred
bit 1	<b>Z:</b> MCU ALU Zero bit 1 = The result of the operation was zero 0 = The result of the operation was not zero
bit 0	<b>C:</b> MCU ALU Carry/Borrow bit 1 = A carry-out from the MSb occurred 0 = No carry-out from the MSb occurred

- Note 1:** This bit may be read or cleared, but not set.
- 2:** Once this bit is set, it must be cleared manually by software.
- 3:** Clearing this bit will clear SA and SB.
- 4:** This bit is read-only.
- 5:** The IPL<2:0> bits are concatenated with the IPL3 bit (CORCON<3>) to form the CPU Interrupt Priority Level. The value in parentheses indicates the IPL, if IPL3 = 1.

## Section 2. Programmer's Model

**Register 2-3: SR: CPU STATUS Register (dsPIC33E Devices)**

R/W-0	R/W-0	R/W-0	R/W-0	R/C-0	R/C-0	R -0	R/W-0
OA	OB	SA <sup>(3)</sup>	SB <sup>(3)</sup>	OAB	SAB	DA	DC
bit 15						bit 8	

R/W-0	R/W-0	R/W-0	R-0	R/W-0	R/W-0	R/W-0	R/W-0
IPL2 <sup>(1,2)</sup>	IPL1 <sup>(1,2)</sup>	IPL0 <sup>(1,2)</sup>	RA	N	OV	Z	C
bit 7						bit 0	

<b>Legend:</b>	U = Unimplemented bit, read as '0'
R = Readable bit	W = Writable bit
-n = Value at POR	'1' = Bit is set
	C = Clearable bit
	'0' = Bit is cleared
	x = Bit is unknown

- bit 15      **OA:** Accumulator A Overflow Status bit  
1 = Accumulator A has overflowed  
0 = Accumulator A has not overflowed
- bit 14      **OB:** Accumulator B Overflow Status bit  
1 = Accumulator B has overflowed  
0 = Accumulator B has not overflowed
- bit 13      **SA:** Accumulator A Saturation Status bit  
1 = Accumulator A is saturated or has been saturated since this bit was last cleared  
0 = Accumulator A is not saturated
- bit 12      **SB:** Accumulator B Saturation Status bit  
1 = Accumulator B is saturated or has been saturated since this bit was last cleared  
0 = Accumulator B is not saturated
- bit 11      **OAB:** OA || OB Combined Accumulator Overflow Status bit  
1 = Accumulator A or B has overflowed  
0 = Neither Accumulator A nor B has overflowed
- bit 10      **SAB:** SA || SB Combined Accumulator Status bit  
1 = Accumulator A or B is saturated or has been saturated since this bit was last cleared  
0 = Neither Accumulator A nor B is saturated
- bit 9        **DA:** D0 Loop Active bit  
1 = D0 loop in progress  
0 = D0 loop not in progress
- bit 8        **DC:** MCU ALU Half Carry/Borrow bit  
1 = A carry-out from the 4th low order bit (for byte-sized data) or 8th low order bit (for word-sized data) of the result occurred  
0 = No carry-out from the 4th low order bit (for byte-sized data) or 8th low order bit (for word-sized data) of the result occurred

- Note 1:** The IPL<2:0> bits are concatenated with the IPL3 bit (CORCON<3>) to form the CPU Interrupt Priority Level. The value in parentheses indicates the IPL, if IPL3 = 1. User interrupts are disabled when IPL3 = 1.
- 2:** The IPL<2:0> Status bits are read only when NSTDIS bit (INTCON1<15>) = 1. Refer to the family reference manual of the specific device family to see the associated interrupt register.
- 3:** A data write to SR can modify the SA or SB bits by either a data write to SA and SB or by clearing the SAB bit. To avoid a possible SA/SB bit write race-condition, the SA and SB bits should not be modified using bit operations.

# 16-bit MCU and DSC Programmer's Reference Manual

---

## Register 2-3: SR: CPU STATUS Register (dsPIC33E Devices) (Continued)

bit 7-5	<b>IPL&lt;2:0&gt;</b> : CPU Interrupt Priority Level Status bits <sup>(1,2)</sup> 111 = CPU Interrupt Priority Level is 7 (15). User interrupts disabled 110 = CPU Interrupt Priority Level is 6 (14) 101 = CPU Interrupt Priority Level is 5 (13) 100 = CPU Interrupt Priority Level is 4 (12) 011 = CPU Interrupt Priority Level is 3 (11) 010 = CPU Interrupt Priority Level is 2 (10) 001 = CPU Interrupt Priority Level is 1 (9) 000 = CPU Interrupt Priority Level is 0 (8)
bit 4	<b>RA</b> : REPEAT Loop Active bit 1 = REPEAT loop in progress 0 = REPEAT loop not in progress
bit 3	<b>N</b> : MCU ALU Negative bit 1 = Result was negative 0 = Result was non-negative (zero or positive)
bit 2	<b>OV</b> : MCU ALU Overflow bit This bit is used for signed arithmetic (2's complement). It indicates an overflow of the magnitude that causes the sign bit to change state. 1 = Overflow occurred for signed arithmetic (in this arithmetic operation) 0 = No overflow occurred
bit 1	<b>Z</b> : MCU ALU Zero bit 1 = The result of the operation was zero 0 = The result of the operation was not zero
bit 0	<b>C</b> : MCU ALU Carry/ <u>Borrow</u> bit 1 = A carry-out from the MSb of the result occurred 0 = No carry-out from the MSb of the result occurred

- Note 1:** The IPL<2:0> bits are concatenated with the IPL3 bit (CORCON<3>) to form the CPU Interrupt Priority Level. The value in parentheses indicates the IPL, if IPL3 = 1. User interrupts are disabled when IPL3 = 1.
- 2:** The IPL<2:0> Status bits are read only when NSTDIS bit (INTCON1<15>) = 1. Refer to the family reference manual of the specific device family to see the associated interrupt register.
- 3:** A data write to SR can modify the SA or SB bits by either a data write to SA and SB or by clearing the SAB bit. To avoid a possible SA/SB bit write race-condition, the SA and SB bits should not be modified using bit operations.

## Section 2. Programmer's Model

**Register 2-4: CORCON: Core Control Register (PIC24F and PIC24H Devices)**

U-0	U-0	U-0	U-0	U-0	U-0	U-0	U-0
—	—	—	—	—	—	—	—
bit 15							bit 8

U-0	U-0	U-0	U-0	R/C-0	R/W-0	U-0	U-0
—	—	—	—	IPL3 <sup>(1,2)</sup>	PSV	—	—
bit 7							bit 0

<b>Legend:</b>	C = Clearable bit	R = Readable bit	W = Writable bit
-n = Value at POR	'1' = Bit is set	'0' = Bit is cleared	x = Bit is unknown
U = Unimplemented bit, read as '0'			

bit 15-4      **Unimplemented:** Read as '0'

bit 3      **IPL3:** Interrupt Priority Level 3 Status bit<sup>(1,2)</sup>  
 1 = CPU Interrupt Priority Level is 8 or greater (trap exception activated)  
 0 = CPU Interrupt Priority Level is 7 or less (no trap exception activated)

bit 2      **PSV:** Program Space Visibility in Data Space Enable bit  
 1 = Program space visible in data space  
 0 = Program space not visible in data space

bit 1-0      **Unimplemented:** Read as '0'

**Note 1:** This bit may be read or cleared, but not set.

**2:** This bit is concatenated with the IPL<2:0> bits (SR<7:5>) to form the CPU Interrupt Priority Level.

# 16-bit MCU and DSC Programmer's Reference Manual

## Register 2-5: CORCON: Core Control Register (PIC24E Devices)

R/W-0	U-0	U-0	U-0	U-0	U-0	U-0	U-0
VAR	—	—	—	—	—	—	—
bit 15							bit 8

U-0	U-0	U-0	U-0	R/C-0	R-0	U-0	U-0
—	—	—	—	IPL3 <sup>(1,2)</sup>	SFA	—	—
bit 7							bit 0

### Legend:

R = Readable bit	W = Writable bit	U = Unimplemented bit, read as '0'
-n = Value at POR	'1' = Bit is set	'0' = Bit is cleared
		x = Bit is unknown

- bit 15      **VAR:** Variable Exception Processing Latency Control bit  
             1 = Variable (bounded deterministic) exception processing latency  
             0 = Fixed (fully deterministic) exception processing latency
- bit 14-4    **Unimplemented:** Read as '0'
- bit 3        **IPL3:** CPU Interrupt Priority Level Status bit 3<sup>(1)</sup>  
             1 = CPU interrupt priority level is greater than 7  
             0 = CPU interrupt priority level is 7 or less
- bit 2        **SFA:** Stack Frame Active Status bit  
             1 = Stack frame is active. W14 and W15 address 0x0000 to 0xFFFF, regardless of DSRPAG and DSWPAG values.  
             0 = Stack frame is not active. W14 and W15 address of EDS or Base Data Space
- bit 1-0     **Unimplemented:** Read as '0'

- Note 1:** This bit may be read or cleared, but not set.
- Note 2:** The IPL3 bit is concatenated with the IPL<2:0> bits (SR<7:5>) to form the CPU interrupt priority level.



## Section 2. Programmer's Model

**Register 2-6: CORCON: Core Control Register (dsPIC30F and dsPIC33F Devices)**

U-0	U-0	U-0	R/W-0	R(0)/W-0	R-0	R-0	R-0
—	—	—	US	EDT <sup>(1)</sup>	DL<2:0> <sup>(2,3)</sup>		
bit 15							bit 8

R/W-0	R/W-0	R/W-1	R/W-0	R/C-0	R/W-0	R/W-0	R/W-0
SATA	SATB	SATDW	ACCSAT	IPL3 <sup>(4,5)</sup>	PSV	RND	IF
bit 7							bit 0

<b>Legend:</b>	C = Clearable bit	R = Readable bit	W = Writable bit
-n = Value at POR	'1' = Bit is set	'0' = Bit is cleared	x = Bit is unknown
U = Unimplemented bit, read as '0'			

- bit 15-13      **Unimplemented:** Read as '0'
- bit 12        **US:** Unsigned or Signed Multiplier Mode Select bit  
                  1 = Unsigned mode enabled for DSP multiply operations  
                  0 = Signed mode enabled for DSP multiply operations
- bit 11        **EDT:** Early D0 Loop Termination Control bit<sup>(1)</sup>  
                  1 = Terminate executing D0 loop at end of current iteration  
                  0 = No effect
- bit 10-8      **DL<2:0>:** D0 Loop Nesting Level Status bits<sup>(2, 3)</sup>  
                  111 = D0 looping is nested at 7 levels  
                  110 = D0 looping is nested at 6 levels  
                  110 = D0 looping is nested at 5 levels  
                  110 = D0 looping is nested at 4 levels  
                  011 = D0 looping is nested at 3 levels  
                  010 = D0 looping is nested at 2 levels  
                  001 = D0 looping is active, but not nested (just 1 level)  
                  000 = D0 looping is not active
- bit 7         **SATA:** ACCA Saturation Enable bit  
                  1 = Accumulator A saturation enabled  
                  0 = Accumulator A saturation disabled
- bit 6         **SATB:** ACCB Saturation Enable bit  
                  1 = Accumulator B saturation enabled  
                  0 = Accumulator B saturation disabled
- bit 5         **SATDW:** Data Space Write from DSP Engine Saturation Enable bit  
                  1 = Data space write saturation enabled  
                  0 = Data space write saturation disabled
- bit 4         **ACCSAT:** Accumulator Saturation Mode Select bit  
                  1 = 9.31 saturation (Super Saturation)  
                  0 = 1.31 saturation (Normal Saturation)
- bit 3         **IPL3:** Interrupt Priority Level 3 Status bit<sup>(4, 5)</sup>  
                  1 = CPU Interrupt Priority Level is 8 or greater (trap exception activated)  
                  0 = CPU Interrupt Priority Level is 7 or less (no trap exception activated)
- bit 2         **PSV:** Program Space Visibility in Data Space Enable bit  
                  1 = Program space visible in data space  
                  0 = Program space not visible in data space

- Note 1:** This bit will always read '0'.
- 2:** DL<2:1> are read-only.
- 3:** The first two levels of D0 loop nesting are handled by hardware.
- 4:** This bit may be read or cleared, but not set.
- 5:** This bit is concatenated with the IPL<2:0> bits (SR<7:5>) to form the CPU Interrupt Priority Level.

# 16-bit MCU and DSC Programmer's Reference Manual

---

## Register 2-6: CORCON: Core Control Register (dsPIC30F and dsPIC33F Devices) (Continued)

- bit 1      **RND:** Rounding Mode Select bit  
            1 = Biased (conventional) rounding enabled  
            0 = Unbiased (convergent) rounding enabled
- bit 0      **IF:** Integer or Fractional Multiplier Mode Select bit  
            1 = Integer mode enabled for DSP multiply operations  
            0 = Fractional mode enabled for DSP multiply operations

- Note 1:** This bit will always read '0'.  
**2:** DL<2:1> are read-only.  
**3:** The first two levels of D0 loop nesting are handled by hardware.  
**4:** This bit may be read or cleared, but not set.  
**5:** This bit is concatenated with the IPL<2:0> bits (SR<7:5>) to form the CPU Interrupt Priority Level.

## Section 2. Programmer's Model

**Register 2-7: CORCON: Core Control Register (dsPIC33E Devices)**

R/W-0	U-0	R/W-0	R/W-0	R/W-0	R-0	R-0	R-0
VAR	—	US<1:0>		EDT <sup>(1)</sup>	DL<2:0>		
bit 15							bit 8

R/W-0	R/W-0	R/W-1	R/W-0	R/C-0	R-0	R/W-0	R/W-0
SATA	SATB	SATDW	ACCSAT	IPL3 <sup>(2,3)</sup>	SFA	RND	IF
bit 7							bit 0

**Legend:**

R = Readable bit	W = Writable bit	U = Unimplemented bit, read as '0'
-n = Value at POR	'1' = Bit is set	'0' = Bit is cleared      x = Bit is unknown

- bit 15      **VAR:** Variable Exception Processing Latency Control bit  
             1 = Variable (bounded deterministic) exception processing latency  
             0 = Fixed (fully deterministic) exception processing latency
- bit 14      **Unimplemented:** Read as '0'
- bit 13-12    **US<1:0>:** DSP Multiply Unsigned/Signed Control bits  
             11 = Reserved  
             10 = DSP engine multiplies are mixed-sign  
             01 = DSP engine multiplies are unsigned  
             00 = DSP engine multiplies are signed
- bit 11      **EDT:** Early D0 Loop Termination Control bit<sup>(1)</sup>  
             1 = Terminate executing D0 loop at end of current loop iteration  
             0 = No effect
- bit 10-8    **DL<2:0>:** D0 Loop Nesting Level Status bits  
             111 = 7 D0 loops active  
             •  
             •  
             •  
             001 = 1 D0 loop active  
             000 = 0 D0 loops active
- bit 7        **SATA:** ACCA Saturation Enable bit  
             1 = Accumulator A saturation enabled  
             0 = Accumulator A saturation disabled
- bit 6        **SATB:** ACCB Saturation Enable bit  
             1 = Accumulator B saturation enabled  
             0 = Accumulator B saturation disabled
- bit 5        **SATDW:** Data Space Write from DSP Engine Saturation Enable bit  
             1 = Data space write saturation enabled  
             0 = Data space write saturation disabled
- bit 4        **ACCSAT:** Accumulator Saturation Mode Select bit  
             1 = 9.31 saturation (super saturation)  
             0 = 1.31 saturation (normal saturation)
- bit 3        **IPL3:** CPU Interrupt Priority Level Status bit 3<sup>(2)</sup>  
             1 = CPU interrupt priority level is greater than 7  
             0 = CPU interrupt priority level is 7 or less

- Note 1:** This bit always reads as '0'.
- 2:** This bit may be read or cleared, but not set.
- 3:** The IPL3 bit is concatenated with the IPL<2:0> bits (SR<7:5>) to form the CPU interrupt priority level.

# 16-bit MCU and DSC Programmer's Reference Manual

---

## Register 2-7: CORCON: Core Control Register (dsPIC33E Devices) (Continued)

- bit 2      **SFA**: Stack Frame Active Status bit  
1 = Stack frame is active. W14 and W15 address 0x0000 to 0xFFFF, regardless of DSRPAG and DSWPAG values.  
0 = Stack frame is not active. W14 and W15 address of EDS or Base Data Space
- bit 1      **RND**: Rounding Mode Select bit  
1 = Biased (conventional) rounding enabled  
0 = Unbiased (convergent) rounding enabled
- bit 0      **IF**: Integer or Fractional Multiplier Mode Select bit  
1 = Integer mode enabled for DSP multiply  
0 = Fractional mode enabled for DSP multiply

- Note 1:** This bit always reads as '0'.  
**2:** This bit may be read or cleared, but not set.  
**3:** The IPL3 bit is concatenated with the IPL<2:0> bits (SR<7:5>) to form the CPU interrupt priority level.



---

---

## Section 3. Instruction Set Overview

---

---

### HIGHLIGHTS

This section of the manual contains the following major topics:

3.1	Introduction .....	38
3.2	Instruction Set Overview .....	38
3.3	Instruction Set Summary Tables .....	40

# 16-bit MCU and DSC Programmer's Reference Manual

---

## 3.1 INTRODUCTION

The 16-bit MCU and DSC instruction set provides a broad suite of instructions that support traditional microcontroller applications, and a class of instructions that support math intensive applications. Since almost all of the functionality of the 8-bit PIC MCU instruction set has been maintained, this hybrid instruction set allows an easy 16-bit migration path for users already familiar with the PIC microcontroller.

## 3.2 INSTRUCTION SET OVERVIEW

Depending on the device family, the 16-bit MCU and DSC instruction set contains up to 84 instructions, which can be grouped into the functional categories shown in [Table 3-1](#). [Table 1-2](#) defines the symbols used in the instruction summary tables, [Table 3-2](#) through [Table 3-11](#). These tables define the syntax, description, storage and execution requirements for each instruction. Storage requirements are represented in 24-bit instruction words and execution requirements are represented in instruction cycles.

**Table 3-1: Instruction Groups**

Functional Group	Summary Table	Page Number
Move Instructions	<a href="#">Table 3-2</a>	40
Math Instructions	<a href="#">Table 3-3</a>	41
Logic Instructions	<a href="#">Table 3-4</a>	43
Rotate/Shift Instructions	<a href="#">Table 3-5</a>	44
Bit Instructions	<a href="#">Table 3-6</a>	45
Compare/Skip and Compare/Branch Instructions	<a href="#">Table 3-7</a>	46
Program Flow Instructions	<a href="#">Table 3-8</a>	47
Shadow/Stack Instructions	<a href="#">Table 3-9</a>	49
Control Instructions	<a href="#">Table 3-10</a>	49
DSP Instructions <sup>(1)</sup>	<a href="#">Table 3-11</a>	50

**Note 1:** DSP instructions are only available in the dsPIC30F, dsPIC33F, and dsPIC33E device families.

Most instructions have several different Addressing modes and execution flows, which require different instruction variants. For instance, depending on the device family, there are up to six unique ADD instructions and each instruction variant has its own instruction encoding. Instruction format descriptions and specific instruction operation are provided in [Section 5. "Instruction Descriptions"](#). Additionally, a composite alphabetized instruction set table is provided in [Section 7. "Reference"](#).

### 3.2.1 Multi-Cycle Instructions

As the instruction summary tables show, most instructions execute in a single cycle, with the following exceptions:

**Note:** The `DO` and `DIVF` instructions are only available in the `dsPIC30F`, `dsPIC33F`, and `dsPIC33E` device families.

- Instructions `DO`, `MOV.D`, `POP.D`, `PUSH.D`, `TBLRDH`, `TBLRDL`, `TBLWTH` and `TBLWTL` require 2 cycles to execute
- Instructions `DIV.S`, `DIV.U` and `DIVF` are single-cycle instructions, which should be executed 18 consecutive times as the target of a `REPEAT` instruction
- Instructions that change the program counter also require 2 cycles to execute, with the extra cycle executed as a `NOP`. Compare-skip instructions, which skip over a 2-word instruction, require 3 instruction cycles to execute, with 2 cycles executed as a `NOP`. Compare-branch instructions (`dsPIC33E/PIC24E` devices only) require 5 instruction cycles to execute when the branch is taken.
- The `RETFIE`, `RETLW` and `RETURN` are a special case of an instruction that changes the program counter. These execute in 3 cycles, unless an exception is pending and then they execute in 2 cycles.

**Note 1:** Instructions which access program memory as data, using Program Space Visibility (PSV), will incur a one or two cycle delay for `PIC24F`, `PIC24H`, `dsPIC30F`, and `dsPIC33F` devices, whereas using PSV in `dsPIC33E` and `PIC24E` devices incurs a 4-cycle delay based on Flash memory access time. However, regardless of which device is being used, when the target instruction of a `REPEAT` loop accesses program memory as data, only the first execution of the target instruction is subject to the delay. See the specific device family reference manual for details.

**2:** All instructions may incur an additional delay on some device families, depending on Flash memory access time. For example, `PIC24E` and `dsPIC33E` devices have a 3-cycle Flash memory access time. However, instruction pipelining increases the effective instruction execution throughput. Refer to **Section 2. "CPU"** of the specific device family reference manual for details on instruction timing.

**3:** All read and read-modify-write operations (including bit operations) on non-CPU Special Function Registers (e.g., I/O Port, peripheral control, or status registers; interrupt flags, etc.) in `PIC24E` and `dsPIC33E` devices require 2 instruction cycles to execute. However, all write operations on both CPU and non-CPU Special Function Registers, and all read and read-modify-write operations on CPU Special Function Registers require 1 instruction cycle.

### 3.2.2 Multi-Word Instructions

As defined by [Table 3-2](#), almost all instructions consume one instruction word (24 bits), with the exception of the `CALL`, `DO` and `GOTO` instructions, which are Program Flow Instructions, listed in [Table 3-8](#). These instructions require two words of memory because their opcodes embed large literal operands.

# 16-bit MCU and DSC Programmer's Reference Manual

## 3.3 INSTRUCTION SET SUMMARY TABLES

Table 3-2: Move Instructions

Assembly Syntax	Description	Words	Cycles	Page Number
EXCH    Wns, Wnd	Swap Wns and Wnd	1	1	243
MOV     f {, WREG} <sup>(1)</sup>	Move f to destination	1	1	279
MOV     WREG, f	Move WREG to f	1	1	280
MOV     f, Wnd	Move f to Wnd	1	1 <sup>(4)</sup>	281
MOV     Wns, f	Move Wns to f	1	1	282
MOV.B   #lit8, Wnd	Move 8-bit literal to Wnd	1	1	283
MOV     #lit16, Wnd	Move 16-bit literal to Wnd	1	1	284
MOV     [Ws+Slit10], Wnd	Move [Ws + signed 10-bit offset] to Wnd	1	1 <sup>(4)</sup>	285
MOV     Wns, [Wd+Slit10]	Move Wns to [Wd + signed 10-bit offset]	1	1	286
MOV     Wso, Wdo	Move Wso to Wdo	1	1 <sup>(4)</sup>	287
MOV.D   Ws, Wnd	Move double Ws to Wnd:Wnd + 1	1	2 <sup>(4)</sup>	289
MOV.D   Wns, Wd	Move double Wns:Wns + 1 to Wd	1	2	289
MOV.PAG #lit10, DSRPAG <sup>(2)</sup>	Move 10-bit literal to DSRPAG	1	1	291
MOV.PAG #lit9, DSWPAG <sup>(2)</sup>	Move 9-bit literal to DSWPAG	1	1	291
MOV.PAG #lit8, TBLPAG <sup>(2)</sup>	Move 8-bit literal to TBLPAG	1	1	291
MOV.PAG Wn, DSRPAG <sup>(2)</sup>	Move Wn to DSRPAG	1	1	292
MOV.PAG Wn, DSWPAG <sup>(2)</sup>	Move Wn to DSWPAG	1	1	292
MOV.PAG Wn, TBLPAG <sup>(2)</sup>	Move Wn to TBLPAG	1	1	292
SWAP    Wn	Wn = byte or nibble swap Wn	1	1	426
TBLRDH   [Ws], Wd	Read high program word to Wd	1	2 <sup>(3)</sup>	427
TBLRDL   [Ws], Wd	Read low program word to Wd	1	2 <sup>(3)</sup>	429
TBLWTH   Ws, [Wd]	Write Ws to high program word	1	2 <sup>(4)</sup>	431
TBLWTL   Ws, [Wd]	Write Ws to low program word	1	2 <sup>(4)</sup>	433

- Note 1:** When the optional {, WREG} operand is specified, the destination of the instruction is WREG. When {, WREG} is not specified, the destination of the instruction is the file register f.
- 2:** The MOV.PAG instruction is only available in dsPIC33E and PIC24E devices.
- 3:** In dsPIC33E and PIC24E devices, these instructions require 3 additional cycles – compared to dsPIC30F, dsPIC33F, PIC24F and PIC24H devices.
- 4:** In dsPIC33E and PIC24E devices, read and read-modify-write operations on non-CPU Special Function Registers require an additional cycle when compared to dsPIC30F, dsPIC33F, PIC24F and PIC24H devices.



## Section 3. Instruction Set Overview

**Table 3-3: Math Instructions**

Assembly Syntax	Description	Words	Cycles	Page Number
ADD $f \{, WREG\}^{(1)}$	Destination = $f + WREG$	1	1 <sup>(5)</sup>	99
ADD #lit10, Wn	$Wn = lit10 + Wn$	1	1	100
ADD Wb, #lit5, Wd	$Wd = Wb + lit5$	1	1	101
ADD Wb, Ws, Wd	$Wd = Wb + Ws$	1	1 <sup>(5)</sup>	102
ADDC $f \{, WREG\}^{(1)}$	Destination = $f + WREG + (C)$	1	1 <sup>(5)</sup>	106
ADDC #lit10, Wn	$Wn = lit10 + Wn + (C)$	1	1	107
ADDC Wb, #lit5, Wd	$Wd = Wb + lit5 + (C)$	1	1	108
ADDC Wb, Ws, Wd	$Wd = Wb + Ws + (C)$	1	1 <sup>(5)</sup>	110
DAW.B Wn	$Wn = \text{decimal adjust } Wn$	1	1	216
DEC $f \{, WREG\}^{(1)}$	Destination = $f - 1$	1	1 <sup>(5)</sup>	217
DEC Ws, Wd	$Wd = Ws - 1$	1	1 <sup>(5)</sup>	218
DEC2 $f \{, WREG\}^{(1)}$	Destination = $f - 2$	1	1 <sup>(5)</sup>	220
DEC2 Ws, Wd	$Wd = Ws - 2$	1	1 <sup>(5)</sup>	221
DIV.S Wm, Wn	Signed 16/16-bit integer divide, $Q \rightarrow W0, R \rightarrow W1$	1	18 <sup>(2)</sup>	224
DIV.SD Wm, Wn	Signed 32/16-bit integer divide, $Q \rightarrow W0, R \rightarrow W1$	1	18 <sup>(2)</sup>	224
DIV.U Wm, Wn	Unsigned 16/16-bit integer divide, $Q - W0, R \rightarrow W1$	1	18 <sup>(2)</sup>	226
DIV.UD Wm, Wn	Unsigned 32/16-bit integer divide, $Q - W0, R \rightarrow W1$	1	18 <sup>(2)</sup>	226
DIVF Wm, Wn	Signed 16/16-bit fractional divide, $Q - W0, R \rightarrow W1$	1	18 <sup>(2)</sup>	228
INC $f \{, WREG\}^{(1)}$	Destination = $f + 1$	1	1 <sup>(5)</sup>	254
INC Ws, Wd	$Wd = Ws + 1$	1	1 <sup>(5)</sup>	255
INC2 $f \{, WREG\}^{(1)}$	Destination = $f + 2$	1	1 <sup>(5)</sup>	257
INC2 Ws, Wd	$Wd = Ws + 2$	1	1 <sup>(5)</sup>	258
MUL $f$	$W3:W2 = f * WREG$	1	1 <sup>(5)</sup>	303
MUL.SS Wb, Ws, Wnd	$\{Wnd + 1, Wnd\} = \text{signed}(Wb) * \text{signed}(Ws)$	1	1 <sup>(5)</sup>	305
MUL.SS Wb, Ws, Acc <sup>(4)</sup>	Accumulator = $\text{signed}(Wb) * \text{signed}(Ws)$	1	1 <sup>(5)</sup>	307
MUL.SU Wb, #lit5, Wnd	$\{Wnd + 1, Wnd\} = \text{signed}(Wb) * \text{unsigned}(lit5)$	1	1	308
MUL.SU Wb, Ws, Wnd	$\{Wnd + 1, Wnd\} = \text{signed}(Wb) * \text{unsigned}(Ws)$	1	1 <sup>(5)</sup>	310
MUL.SU Wb, Ws, Acc <sup>(4)</sup>	Accumulator = $\text{signed}(Wb) * \text{unsigned}(Ws)$	1	1 <sup>(5)</sup>	312
MUL.SU Wb, #lit5, Acc <sup>(4)</sup>	Accumulator = $\text{signed}(Wb) * \text{unsigned}(lit5)$	1	1	314
MUL.US Wb, Ws, Wnd	$\{Wnd + 1, Wnd\} = \text{unsigned}(Wb) * \text{signed}(Ws)$	1	1 <sup>(5)</sup>	315
MUL.US Wb, Ws, Acc <sup>(4)</sup>	Accumulator = $\text{unsigned}(Wb) * \text{signed}(Ws)$	1	1 <sup>(5)</sup>	317
MUL.UU Wb, #lit5, Wnd	$\{Wnd + 1, Wnd\} = \text{unsigned}(Wb) * \text{unsigned}(lit5)$	1	1	319
MUL.UU Wb, Ws, Wnd	$\{Wnd + 1, Wnd\} = \text{unsigned}(Wb) * \text{unsigned}(Ws)$	1	1 <sup>(5)</sup>	320
MUL.UU Wb, Ws, Acc <sup>(4)</sup>	Accumulator = $\text{unsigned}(Wb) * \text{unsigned}(Ws)$	1	1 <sup>(5)</sup>	322
MUL.UU Wb, #lit5, Acc <sup>(4)</sup>	Accumulator = $\text{unsigned}(Wb) * \text{unsigned}(lit5)$	1	1	323
MULW.SS Wb, Ws, Wnd <sup>(3)</sup>	$Wnd = \text{signed}(Wb) * \text{signed}(Ws)$	1	1 <sup>(5)</sup>	324

- Note 1:** When the optional  $\{, WREG\}$  operand is specified, the destination of the instruction is WREG. When  $\{, WREG\}$  is not specified, the destination of the instruction is the file register  $f$ .
- 2:** The divide instructions must be preceded with a “REPEAT #17” instruction, such that they are executed 18 consecutive times.
- 3:** These instructions are only available in dsPIC33E and PIC24E devices.
- 4:** These instructions are only available in dsPIC33E devices.
- 5:** In dsPIC33E and PIC24E devices, read and read-modify-write operations on non-CPU Special Function Registers require an additional cycle when compared to dsPIC30F, dsPIC33F, PIC24F and PIC24H devices.

# 16-bit MCU and DSC Programmer's Reference Manual

Table 3-3: Math Instructions (Continued)

Assembly Syntax	Description	Words	Cycles	Page Number
MULW.SU Wb, Ws, Wnd <sup>(3)</sup>	Wnd = signed(Wb) * unsigned(Ws)	1	1 <sup>(5)</sup>	326
MULW.SU Wb, #lit5, Wnd <sup>(3)</sup>	Wnd = signed(Wb) * unsigned(lit5)	1	1	328
MULW.US Wb, Ws, Wnd <sup>(3)</sup>	Wnd = unsigned(Wb) * signed(Ws)	1	1 <sup>(5)</sup>	329
MULW.UU Wb, Ws, Wnd <sup>(3)</sup>	Wnd = unsigned(Wb) * unsigned(Ws)	1	1 <sup>(5)</sup>	331
MULW.UU Wb, #lit5, Wnd <sup>(3)</sup>	Wnd = unsigned(Wb) * unsigned(lit5)	1	1	332
SE Ws, Wnd	Wnd = signed-extended Ws	1	1 <sup>(5)</sup>	393
SUB f {, WREG} <sup>(1)</sup>	Destination = f – WREG	1	1 <sup>(5)</sup>	405
SUB #lit10, Wn	Wn = Wn – lit10	1	1	406
SUB Wb, #lit5, Wd	Wd = Wb – lit5	1	1	407
SUB Wb, Ws, Wd	Wd = Wb – Ws	1	1 <sup>(5)</sup>	408
SUBB f {, WREG} <sup>(1)</sup>	Destination = f – WREG – $\overline{C}$	1	1 <sup>(5)</sup>	411
SUBB #lit10, Wn	Wn = Wn – lit10 – $\overline{C}$	1	1	412
SUBB Wb, #lit5, Wd	Wd = Wb – lit5 – $\overline{C}$	1	1	413
SUBB Wb, Ws, Wd	Wd = Wb – Ws – $\overline{C}$	1	1 <sup>(5)</sup>	415
SUBBR f {, WREG} <sup>(1)</sup>	Destination = WREG – f – $\overline{C}$	1	1 <sup>(5)</sup>	417
SUBBR Wb, #lit5, Wd	Wd = lit5 – Wb – $\overline{C}$	1	1	418
SUBBR Wb, Ws, Wd	Wd = Ws – Wb – $\overline{C}$	1	1 <sup>(5)</sup>	420
SUBR f {, WREG} <sup>(1)</sup>	Destination = WREG – f	1	1 <sup>(5)</sup>	422
SUBR Wb, #lit5, Wd	Wd = lit5 – Wb	1	1	423
SUBR Wb, Ws, Wd	Wd = Ws – Wb	1	1 <sup>(5)</sup>	424
ZE Ws, Wnd	Wnd = zero-extended Ws	1	1 <sup>(5)</sup>	442

- Note 1:** When the optional {, WREG} operand is specified, the destination of the instruction is WREG. When {, WREG} is not specified, the destination of the instruction is the file register f.
- 2:** The divide instructions must be preceded with a “REPEAT #17” instruction, such that they are executed 18 consecutive times.
- 3:** These instructions are only available in dsPIC33E and PIC24E devices.
- 4:** These instructions are only available in dsPIC33E devices.
- 5:** In dsPIC33E and PIC24E devices, read and read-modify-write operations on non-CPU Special Function Registers require an additional cycle when compared to dsPIC30F, dsPIC33F, PIC24F and PIC24H devices.

## Section 3. Instruction Set Overview

**Table 3-4: Logic Instructions**

Assembly Syntax	Description	Words	Cycles	Page Number
AND $f \{, WREG\}^{(1)}$	Destination = $f$ .AND. WREG	1	$1^{(2)}$	<a href="#">112</a>
AND #lit10, Wn	Wn = lit10 .AND. Wn	1	1	<a href="#">113</a>
AND Wb, #lit5, Wd	Wd = Wb .AND. lit5	1	1	<a href="#">114</a>
AND Wb, Ws, Wd	Wd = Wb .AND. Ws	1	$1^{(2)}$	<a href="#">115</a>
CLR $f$	$f = 0x0000$	1	1	<a href="#">184</a>
CLR WREG	WREG = $0x0000$	1	1	<a href="#">184</a>
CLR Wd	Wd = $0x0000$	1	1	<a href="#">185</a>
COM $f \{, WREG\}^{(1)}$	Destination = $\bar{f}$	1	$1^{(2)}$	<a href="#">189</a>
COM Ws, Wd	Wd = $\bar{W}s$	1	$1^{(2)}$	<a href="#">190</a>
IOR $f \{, WREG\}^{(1)}$	Destination = $f$ .IOR. WREG	1	$1^{(2)}$	<a href="#">260</a>
IOR #lit10, Wn	Wn = lit10 .IOR. Wn	1	1	<a href="#">261</a>
IOR Wb, #lit5, Wd	Wd = Wb .IOR. lit5	1	1	<a href="#">262</a>
IOR Wb, Ws, Wd	Wd = Wb .IOR. Ws	1	$1^{(2)}$	<a href="#">263</a>
NEG $f \{, WREG\}^{(1)}$	Destination = $\bar{f} + 1$	1	$1^{(2)}$	<a href="#">333</a>
NEG Ws, Wd	Wd = $\bar{W}s + 1$	1	$1^{(2)}$	<a href="#">333</a>
SETM $f$	$f = 0xFFFF$	1	1	<a href="#">395</a>
SETM WREG	WREG = $0xFFFF$	1	1	<a href="#">395</a>
SETM Wd	Wd = $0xFFFF$	1	1	<a href="#">396</a>
XOR $f \{, WREG\}^{(1)}$	Destination = $f$ .XOR. WREG	1	$1^{(2)}$	<a href="#">437</a>
XOR #lit10, Wn	Wn = lit10 .XOR. Wn	1	1	<a href="#">438</a>
XOR Wb, #lit5, Wd	Wd = Wb .XOR. lit5	1	1	<a href="#">439</a>
XOR Wb, Ws, Wd	Wd = Wb .XOR. Ws	1	$1^{(2)}$	<a href="#">440</a>

- Note 1:** When the optional  $\{, WREG\}$  operand is specified, the destination of the instruction is WREG. When  $\{, WREG\}$  is not specified, the destination of the instruction is the file register  $f$ .
- 2:** In dsPIC33E and PIC24E devices, read and read-modify-write operations on non-CPU Special Function Registers require an additional cycle when compared to dsPIC30F, dsPIC33F, PIC24F and PIC24H devices.

# 16-bit MCU and DSC Programmer's Reference Manual

**Table 3-5: Rotate/Shift Instructions**

Assembly Syntax	Description	Words	Cycles	Page Number
ASR $f \{, WREG\}^{(1)}$	Destination = arithmetic right shift $f$ , $LSb \rightarrow C$	1	$1^{(2)}$	<a href="#">117</a>
ASR $Ws, Wd$	$Wd$ = arithmetic right shift $Ws$ , $LSb \rightarrow C$	1	$1^{(2)}$	<a href="#">119</a>
ASR $Wb, \#lit4, Wnd$	$Wnd$ = arithmetic right shift $Wb$ by $lit4$ , $LSb \rightarrow C$	1	1	<a href="#">121</a>
ASR $Wb, Wns, Wnd$	$Wnd$ = arithmetic right shift $Wb$ by $Wns$ , $LSb \rightarrow C$	1	1	<a href="#">122</a>
LSR $f \{, WREG\}^{(1)}$	Destination = logical right shift $f$ , $LSb \rightarrow C$	1	$1^{(2)}$	<a href="#">269</a>
LSR $Ws, Wd$	$Wd$ = logical right shift $Ws$ , $LSb \rightarrow C$	1	$1^{(2)}$	<a href="#">271</a>
LSR $Wb, \#lit4, Wnd$	$Wnd$ = logical right shift $Wb$ by $lit4$ , $LSb \rightarrow C$	1	1	<a href="#">273</a>
LSR $Wb, Wns, Wnd$	$Wnd$ = logical right shift $Wb$ by $Wns$ , $LSb \rightarrow C$	1	1	<a href="#">274</a>
RLC $f \{, WREG\}^{(1)}$	Destination = rotate left through Carry $f$	1	$1^{(2)}$	<a href="#">373</a>
RLC $Ws, Wd$	$Wd$ = rotate left through Carry $Ws$	1	$1^{(2)}$	<a href="#">375</a>
RLNC $f \{, WREG\}^{(1)}$	Destination = rotate left (no Carry) $f$	1	$1^{(2)}$	<a href="#">377</a>
RLNC $Ws, Wd$	$Wd$ = rotate left (no Carry) $Ws$	1	$1^{(2)}$	<a href="#">379</a>
RRC $f \{, WREG\}^{(1)}$	Destination = rotate right through Carry $f$	1	$1^{(2)}$	<a href="#">381</a>
RRC $Ws, Wd$	$Wd$ = rotate right through Carry $Ws$	1	$1^{(2)}$	<a href="#">383</a>
RRNC $f \{, WREG\}^{(1)}$	Destination = rotate right (no Carry) $f$	1	$1^{(2)}$	<a href="#">385</a>
RRNC $Ws, Wd$	$Wd$ = rotate right (no Carry) $Ws$	1	$1^{(2)}$	<a href="#">387</a>
SL $f \{, WREG\}^{(1)}$	Destination = left shift $f$ , $MSb \rightarrow C$	1	$1^{(2)}$	<a href="#">399</a>
SL $Ws, Wd$	$Wd$ = left shift $Ws$ , $MSb \rightarrow C$	1	$1^{(2)}$	<a href="#">401</a>
SL $Wb, \#lit4, Wnd$	$Wnd$ = left shift $Wb$ by $lit4$ , $MSb \rightarrow C$	1	1	<a href="#">403</a>
SL $Wb, Wns, Wnd$	$Wnd$ = left shift $Wb$ by $Wns$ , $MSb \rightarrow C$	1	1	<a href="#">404</a>

- Note 1:** When the optional  $\{, WREG\}$  operand is specified, the destination of the instruction is WREG. When  $\{, WREG\}$  is not specified, the destination of the instruction is the file register  $f$ .
- 2:** In dsPIC33E and PIC24E devices, read and read-modify-write operations on non-CPU Special Function Registers require an additional cycle when compared to dsPIC30F, dsPIC33F, PIC24F and PIC24H devices.

## Section 3. Instruction Set Overview

**Table 3-6: Bit Instructions**

Assembly Syntax	Description	Words	Cycles <sup>(1)</sup>	Page Number
BCLR <i>f, #bit4</i>	Bit clear <i>f</i>	1	1	<a href="#">123</a>
BCLR <i>ws, #bit4</i>	Bit clear <i>Ws</i>	1	1	<a href="#">124</a>
BSET <i>f, #bit4</i>	Bit set <i>f</i>	1	1	<a href="#">152</a>
BSET <i>ws, #bit4</i>	Bit set <i>Ws</i>	1	1	<a href="#">153</a>
BSW.C <i>ws, Wb</i>	Write C bit to <i>Ws</i> < <i>Wb</i> >	1	1	<a href="#">155</a>
BSW.Z <i>ws, Wb</i>	Write Z bit to <i>Ws</i> < <i>Wb</i> >	1	1	<a href="#">155</a>
BTG <i>f, #bit4</i>	Bit toggle <i>f</i>	1	1	<a href="#">157</a>
BTG <i>ws, #bit4</i>	Bit toggle <i>Ws</i>	1	1	<a href="#">158</a>
BTST <i>f, #bit4</i>	Bit test <i>f</i> to Z	1	1	<a href="#">168</a>
BTST.C <i>ws, #bit4</i>	Bit test <i>Ws</i> to C	1	1	<a href="#">169</a>
BTST.Z <i>ws, #bit4</i>	Bit test <i>Ws</i> to Z	1	1	<a href="#">169</a>
BTST.C <i>ws, Wb</i>	Bit test <i>Ws</i> < <i>Wb</i> > to C	1	1	<a href="#">171</a>
BTST.Z <i>ws, Wb</i>	Bit test <i>Ws</i> < <i>Wb</i> > to Z	1	1	<a href="#">171</a>
BTSTS <i>f, #bit4</i>	Bit test <i>f</i> to Z, then set <i>f</i>	1	1	<a href="#">173</a>
BTSTS.C <i>ws, #bit4</i>	Bit test <i>Ws</i> to C then set <i>Ws</i>	1	1	<a href="#">175</a>
BTSTS.Z <i>ws, #bit4</i>	Bit test <i>Ws</i> to Z then set <i>Ws</i>	1	1	<a href="#">175</a>
FBCL <i>ws, Wnd</i>	Find bit change from left (MSb) side	1	1	<a href="#">244</a>
FF1L <i>ws, Wnd</i>	Find first one from left (MSb) side	1	1	<a href="#">246</a>
FF1R <i>ws, Wnd</i>	Find first one from right (LSb) side	1	1	<a href="#">248</a>

**Note 1:** In dsPIC33E and PIC24E devices, read and read-modify-write operations on non-CPU Special Function Registers require an additional cycle when compared to dsPIC30F, dsPIC33F, PIC24F and PIC24H devices.

# 16-bit MCU and DSC Programmer's Reference Manual

**Table 3-7: Compare/Skip and Compare/Branch Instructions**

Assembly Syntax	Description	Words	Cycles <sup>(1)</sup>	Page Number
BTSC $f, \#bit4$	Bit test $f$ , skip if clear	1	1 (2 or 3) <sup>(5)</sup>	160
BTSC $Ws, \#bit4$	Bit test $Ws$ , skip if clear	1	1 (2 or 3) <sup>(5)</sup>	162
BTSS $f, \#bit4$	Bit test $f$ , skip if set	1	1 (2 or 3) <sup>(5)</sup>	164
BTSS $Ws, \#bit4$	Bit test $Ws$ , skip if set	1	1 (2 or 3) <sup>(5)</sup>	166
CP $f$	Compare ( $f - WREG$ )	1	1 <sup>(5)</sup>	191
CP $wb, \#lit5^{(2)}$	Compare ( $Wb - lit5$ )	1	1	192
CP $wb, \#lit8^{(3)}$	Compare ( $Wb - lit8$ )	1	1	193
CP $wb, ws$	Compare ( $Wb - Ws$ )	1	1 <sup>(5)</sup>	194
CP0 $f$	Compare ( $f - 0x0000$ )	1	1 <sup>(5)</sup>	196
CP0 $ws$	Compare ( $Ws - 0x0000$ )	1	1 <sup>(5)</sup>	197
CPB $f$	Compare with Borrow ( $f - WREG - \overline{C}$ )	1	1 <sup>(5)</sup>	198
CPB $wb, \#lit5^{(2)}$	Compare with Borrow ( $Wb - lit5 - \overline{C}$ )	1	1	199
CPB $wb, \#lit8^{(3)}$	Compare with Borrow ( $Wb - lit8 - \overline{C}$ )	1	1	200
CPB $wb, ws$	Compare with Borrow ( $Wb - Ws - \overline{C}$ )	1	1 <sup>(5)</sup>	201
CPBEQ $wb, wn, Expr^{(3)}$	Compare $Wb$ with $Wn$ , branch if =	1	1 (5) <sup>(4)</sup>	203
CPBGT $wb, wn, Expr^{(3)}$	Signed compare $Wb$ with $Wn$ , branch if >	1	1 (5) <sup>(4)</sup>	204
CPBLT $wb, wn, Expr^{(3)}$	Signed compare $Wb$ with $Wn$ , branch if <	1	1 (5) <sup>(4)</sup>	205
CPBNE $wb, wn, Expr^{(3)}$	Compare $Wb$ with $Wn$ , branch if $\neq$	1	1 (5) <sup>(4)</sup>	204
CPSEQ $wb, wn$	Compare ( $Wb - Wn$ ), skip if =	1	1 (2 or 3)	207
CPSGT $wb, wn$	Signed compare ( $Wb - Wn$ ), skip if >	1	1 (2 or 3)	211
CPSLT $wb, wn$	Signed compare ( $Wb - Wn$ ), skip if <	1	1 (2 or 3)	212
CPSNE $wb, wn$	Compare ( $Wb - Wn$ ), skip if $\neq$	1	1 (2 or 3)	214

**Note 1:** Conditional skip instructions execute in 1 cycle if the skip is not taken, 2 cycles if the skip is taken over a one-word instruction and 3 cycles if the skip is taken over a two-word instruction.

**2:** This instruction is only available in PIC24F, PIC24H, dsPIC30F, and dsPIC33F devices.

**3:** This instruction is only available in dsPIC33E and PIC24E devices.

**4:** Compare-branch instructions in dsPIC33E/PIC24E devices execute in 1 cycle if the branch is not taken and 5 cycles if the branch is taken.

**5:** In dsPIC33E and PIC24E devices, read and read-modify-write operations on non-CPU Special Function Registers require an additional cycle when compared to dsPIC30F, dsPIC33F, PIC24F and PIC24H devices.

## Section 3. Instruction Set Overview

**Table 3-8: Program Flow Instructions**

Assembly Syntax	Description	Words	Cycles	Page Number
BRA Expr	Branch unconditionally	1	2 <sup>(8)</sup>	126
BRA Wn	Computed branch	1	2 <sup>(8)</sup>	128
BRA C, Expr	Branch if Carry (no Borrow)	1	1 (2) <sup>(1,8)</sup>	130
BRA GE, Expr	Branch if greater than or equal	1	1 (2) <sup>(1,8)</sup>	132
BRA GEU, Expr	Branch if unsigned greater than or equal	1	1 (2) <sup>(1,8)</sup>	134
BRA GT, Expr	Branch if greater than	1	1 (2) <sup>(1,8)</sup>	135
BRA GTU, Expr	Branch if unsigned greater than	1	1 (2) <sup>(1,8)</sup>	136
BRA LE, Expr	Branch if less than or equal	1	1 (2) <sup>(1,8)</sup>	137
BRA LEU, Expr	Branch if unsigned less than or equal	1	1 (2) <sup>(1,8)</sup>	138
BRA LT, Expr	Branch if less than	1	1 (2) <sup>(1,8)</sup>	139
BRA LTU, Expr	Branch if unsigned less than	1	1 (2) <sup>(1,8)</sup>	140
BRA N, Expr	Branch if Negative	1	1 (2) <sup>(1,8)</sup>	141
BRA NC, Expr	Branch if not Carry (Borrow)	1	1 (2) <sup>(1,8)</sup>	142
BRA NN, Expr	Branch if not Negative	1	1 (2) <sup>(1,8)</sup>	143
BRA NOV, Expr	Branch if not Overflow	1	1 (2) <sup>(1,8)</sup>	144
BRA NZ, Expr	Branch if not Zero	1	1 (2) <sup>(1,8)</sup>	145
BRA OA, Expr	Branch if Accumulator A Overflow	1	1 (2) <sup>(1,8)</sup>	146
BRA OB, Expr	Branch if Accumulator B Overflow	1	1 (2) <sup>(1,8)</sup>	147
BRA OV, Expr	Branch if Overflow	1	1 (2) <sup>(1,8)</sup>	148
BRA SA, Expr	Branch if Accumulator A Saturate	1	1 (2) <sup>(1,8)</sup>	149
BRA SB, Expr	Branch if Accumulator B Saturate	1	1 (2) <sup>(1,8)</sup>	150
BRA Z, Expr	Branch if Zero	1	1 (2) <sup>(1,8)</sup>	151
CALL Expr	Call subroutine	2	2 <sup>(8)</sup>	177
CALL Wn	Call indirect subroutine	1	2 <sup>(8)</sup>	180
CALL.L Wn <sup>(4)</sup>	Call indirect subroutine (long address)	1	4	183
DO #lit14, Expr <sup>(6)</sup>	Do code through PC + Expr, (lit14 + 1) times	2	2	230
DO #lit15, Expr <sup>(7)</sup>	Do code through PC + Expr, (lit15 + 1) times	2	2	233
DO Wn, Expr <sup>(3)</sup>	Do code through PC + Expr, (Wn + 1) times	2	2	235
GOTO Expr	Go to address	2	2 <sup>(8)</sup>	250
GOTO Wn	Go to address indirectly	1	2 <sup>(8)</sup>	251
GOTO.L Wn <sup>(4)</sup>	Go to indirect (long address)	1	4	253
RCALL Expr	Relative call	1	2 <sup>(8)</sup>	347
RCALL Wn	Computed call	1	2 <sup>(8)</sup>	351
REPEAT #lit14 <sup>(5)</sup>	Repeat next instruction (lit14 + 1) times	1	1	355

**Note 1:** Conditional branch instructions execute in 1 cycle if the branch is not taken, or 2 cycles if the branch is taken.

**2:** RETURN instructions execute in 3 cycles, but if an exception is pending, they execute in 2 cycles.

**3:** This instruction is only available in dsPIC30F, dsPIC33F, and dsPIC33E devices.

**4:** This instruction is only available in dsPIC33E and PIC24E devices.

**5:** This instruction is only available in PIC24F, PIC24H, dsPIC30F, and dsPIC33F devices.

**6:** This instruction is only available in dsPIC30F and dsPIC33F devices.

**7:** This instruction is only available in dsPIC33E devices.

**8:** In dsPIC33E and PIC24E devices, these instructions require 2 additional cycles (4 cycles overall) when the branch is taken.

**9:** In dsPIC33E and PIC24E devices, these instructions require 3 additional cycles.

# 16-bit MCU and DSC Programmer's Reference Manual

Table 3-8: Program Flow Instructions (Continued)

Assembly Syntax	Description	Words	Cycles	Page Number
REPEAT #lit15 <sup>(4)</sup>	Repeat next instruction (lit15 + 1) times	1	1	357
REPEAT Wn	Repeat next instruction (Wn + 1) times	1	1	359
RETFIE	Return from interrupt enable	1	3 (2) <sup>(2,9)</sup>	365
RETLW #lit10, Wn	Return with lit10 in Wn	1	3 (2) <sup>(2,9)</sup>	367
RETURN	Return from subroutine	1	3 (2) <sup>(2,9)</sup>	371

**Note 1:** Conditional branch instructions execute in 1 cycle if the branch is not taken, or 2 cycles if the branch is taken.

**2:** RETURN instructions execute in 3 cycles, but if an exception is pending, they execute in 2 cycles.

**3:** This instruction is only available in dsPIC30F, dsPIC33F, and dsPIC33E devices.

**4:** This instruction is only available in dsPIC33E and PIC24E devices.

**5:** This instruction is only available in PIC24F, PIC24H, dsPIC30F, and dsPIC33F devices.

**6:** This instruction is only available in dsPIC30F and dsPIC33F devices.

**7:** This instruction is only available in dsPIC33E devices.

**8:** In dsPIC33E and PIC24E devices, these instructions require 2 additional cycles (4 cycles overall) when the branch is taken.

**9:** In dsPIC33E and PIC24E devices, these instructions require 3 additional cycles.



## Section 3. Instruction Set Overview

**Table 3-9: Shadow/Stack Instructions**

Assembly Syntax	Description	Words	Cycles	Page Number
LNK #lit14	Link Frame Pointer	1	1	<a href="#">267</a>
POP f	POP TOS to f	1	1	<a href="#">337</a>
POP Wdo	POP TOS to Wdo	1	1	<a href="#">338</a>
POP.D Wnd	Double POP from TOS to Wnd:Wnd + 1	1	2	<a href="#">339</a>
POP.S	POP shadow registers	1	1	<a href="#">340</a>
PUSH f	PUSH f to TOS	1	1 <sup>(1)</sup>	<a href="#">341</a>
PUSH Wso	PUSH Wso to TOS	1	1 <sup>(1)</sup>	<a href="#">342</a>
PUSH.D Wns	PUSH double Wns:Wns + 1 to TOS	1	2	<a href="#">343</a>
PUSH.S	PUSH shadow registers	1	1	<a href="#">345</a>
ULNK	Unlink Frame Pointer	1	1	<a href="#">435</a>

**Note 1:** In dsPIC33E and PIC24E devices, read and read-modify-write operations on non-CPU Special Function Registers require an additional cycle when compared to dsPIC30F, dsPIC33F, PIC24F and PIC24H devices.

**Table 3-10: Control Instructions**

Assembly Syntax	Description	Words	Cycles	Page Number
CLRWDT	Clear Watchdog Timer	1	1	<a href="#">188</a>
DISI #lit14	Disable interrupts for (lit14 + 1) instruction cycles	1	1	<a href="#">223</a>
NOP	No operation	1	1	<a href="#">336</a>
NOPR	No operation	1	1	<a href="#">336</a>
PWRSABV #lit1	Enter Power-saving mode lit1	1	1	<a href="#">346</a>
RESET	Software device Reset	1	1	<a href="#">363</a>

# 16-bit MCU and DSC Programmer's Reference Manual

**Table 3-11: DSP Instructions (dsPIC30F, dsPIC33F and dsPIC33E Devices)**

Assembly Syntax		Description	Words	Cycles	Page Number
ADD	Acc	Add accumulators	1	1	<a href="#">103</a>
ADD	Wso, #Slit4, Acc	16-bit signed add to Acc	1	1 <sup>(1)</sup>	<a href="#">104</a>
CLR	Acc, [Wx], Wxd, [Wy], Wyd, AWB	Clear Acc	1	1	<a href="#">186</a>
ED	Wm*Wm, Acc, [Wx], [Wy], Wxd	Euclidean distance (no accumulate)	1	1	<a href="#">239</a>
EDAC	Wm*Wm, Acc, [Wx], [Wy], Wxd	Euclidean distance	1	1	<a href="#">241</a>
LAC	Wso, #Slit4, Acc	Load Acc	1	1 <sup>(1)</sup>	<a href="#">265</a>
MAC	Wm*Wn, Acc, [Wx], Wxd, [Wy], Wyd, AWB	Multiply and accumulate	1	1	<a href="#">275</a>
MAC	Wm*Wm, Acc, [Wx], Wxd, [Wy], Wyd	Square and accumulate	1	1	<a href="#">277</a>
MOVSAC	Acc, [Wx], Wxd, [Wy], Wyd, AWB	Move Wx to Wxd and Wy to Wyd	1	1	<a href="#">293</a>
MPY	Wm*Wn, Acc, [Wx], Wxd, [Wy], Wyd	Multiply Wn by Wm to Acc	1	1	<a href="#">295</a>
MPY	Wm*Wm, Acc, [Wx], Wxd, [Wy], Wyd	Square to Acc	1	1	<a href="#">297</a>
MPY.N	Wm*Wn, Acc, [Wx], Wxd, [Wy], Wyd	-(Multiply Wn by Wm) to Acc	1	1	<a href="#">299</a>
MSC	Wm*Wn, Acc, [Wx], Wxd, [Wy], Wyd, AWB	Multiply and subtract from Acc	1	1	<a href="#">301</a>
NEG	Acc	Negate Acc	1	1	<a href="#">335</a>
SAC	Acc, #Slit4, Wdo	Store Acc	1	1	<a href="#">389</a>
SAC.R	Acc, #Slit4, Wdo	Store rounded Acc	1	1	<a href="#">391</a>
SFTAC	Acc, #Slit6	Arithmetic shift Acc by Slit6	1	1	<a href="#">397</a>
SFTAC	Acc, Wn	Arithmetic shift Acc by (Wn)	1	1	<a href="#">398</a>
SUB	Acc	Subtract accumulators	1	1	<a href="#">410</a>

**Note 1:** In dsPIC33E and PIC24E devices, read and read-modify-write operations on non-CPU Special Function Registers require an additional cycle when compared to dsPIC30F, dsPIC33F, PIC24F and PIC24H devices.



## Section 4. Instruction Set Details

### HIGHLIGHTS

This section of the manual contains the following major topics:

4.1	Data Addressing Modes.....	52
4.2	Program Addressing Modes .....	61
4.3	Instruction Stalls.....	62
4.4	Byte Operations .....	64
4.5	Word Move Operations .....	66
4.6	Using 10-bit Literal Operands .....	69
4.7	Software Stack Pointer and Frame Pointer.....	70
4.8	Conditional Branch Instructions .....	76
4.9	Z Status Bit.....	77
4.10	Assigned Working Register Usage .....	78
4.11	DSP Data Formats (dsPIC30F, dsPIC33F and dsPIC33E Devices).....	81
4.12	Accumulator Usage (dsPIC30F, dsPIC33F and dsPIC33E Devices).....	83
4.13	Accumulator Access (dsPIC30F, dsPIC33F and dsPIC33E Devices) .....	84
4.14	DSP MAC Instructions (dsPIC30F, dsPIC33F and dsPIC33E Devices) .....	84
4.15	DSP Accumulator Instructions (dsPIC30F, dsPIC33F and dsPIC33E Devices) .....	88
4.16	Scaling Data with the FBCL Instruction (dsPIC30F, dsPIC33F and dsPIC33E Devices).....	88
4.17	Normalizing the Accumulator with the FBCL Instruction (dsPIC30F, dsPIC33F and dsPIC33E Devices).....	90

## 4.1 DATA ADDRESSING MODES

The 16-bit MCU and DSC devices support three native Addressing modes for accessing data memory, along with several forms of immediate addressing. Data accesses may be performed using file register addressing, register direct or indirect addressing, and immediate addressing, allow a fixed value to be used by the instruction.

File register addressing provides the ability to operate on data stored in the lower 8K of data memory (Near RAM), and also move data between the working registers and the entire 64K data space. Register direct addressing is used to access the 16 memory mapped working registers, W0:W15. Register indirect addressing is used to efficiently operate on data stored in the entire 64K data space (and also Extended Data Space, in the case of dsPIC33E/PIC24E), using the contents of the working registers as an effective address. Immediate addressing does not access data memory, but provides the ability to use a constant value as an instruction operand. The address range of each mode is summarized in [Table 4-1](#).

**Table 4-1: 16-bit MCU and DSC Addressing Modes**

Addressing Mode	Address Range
File Register	0x0000 - 0x1FFF <sup>(1)</sup>
Register Direct	0x0000 - 0x001F (working register array W0:W15)
Register Indirect	0x0000 - 0xFFFF
Immediate	N/A (constant value)

**Note 1:** The address range for the File Register MOV is 0x0000 - 0xFFFE.

### 4.1.1 File Register Addressing

File register addressing is used by instructions which use a predetermined data address as an operand for the instruction. The majority of instructions that support file register addressing provide access to the lower 8 Kbytes of data memory, which is called the Near RAM. However, the MOV instruction provides access to all 64 Kbytes of memory using file register addressing. This allows the loading of the data from any location in data memory to any working register, and storing the contents of any working register to any location in data memory. It should be noted that file register addressing supports both byte and word accesses of data memory, with the exception of the MOV instruction, which accesses all 64K of memory as words. Examples of file register addressing are shown in [Example 4-1](#).

Most instructions, which support file register addressing, perform an operation on the specified file register and the default working register WREG (see [Section 2.4 "Default Working Register \(WREG\)"](#)). If only one operand is supplied in the instruction, WREG is an implied operand and the operation results are stored back to the file register. In these cases, the instruction is effectively a read-modify-write instruction. However, when both the file register and the WREG register are specified in the instruction, the operation results are stored in the WREG register and the contents of the file register are unchanged. Sample instructions that show the interaction between the file register and the WREG register are shown in [Example 4-2](#).

**Note:** Instructions which support file register addressing use 'f' as an operand in the instruction summary tables of [Section 3. "Instruction Set Overview"](#).

## Example 4-1: File Register Addressing

```

DEC    0x1000        ; decrement data stored at 0x1000
Before Instruction:
    Data Memory 0x1000 = 0x5555
After Instruction:
    Data Memory 0x1000 = 0x5554

MOV    0x27FE, W0    ; move data stored at 0x27FE to W0
Before Instruction:
    W0 = 0x5555
    Data Memory 0x27FE = 0x1234
After Instruction:
    W0 = 0x1234
    Data Memory 0x27FE = 0x1234

```

## Example 4-2: File Register Addressing and WREG

```

AND    0x1000        ; AND 0x1000 with WREG, store to 0x1000
Before Instruction:
    W0 (WREG) = 0x332C
    Data Memory 0x1000 = 0x5555
After Instruction:
    W0 (WREG) = 0x332C
    Data Memory 0x1000 = 0x1104

AND    0x1000, WREG ; AND 0x1000 with WREG, store to WREG
Before Instruction:
    W0 (WREG) = 0x332C
    Data Memory 0x1000 = 0x5555
After Instruction:
    W0 (WREG) = 0x1104
    Data Memory 0x1000 = 0x5555

```

### 4.1.2 Register Direct Addressing

Register direct addressing is used to access the contents of the 16 working registers (W0:W15). The Register Direct Addressing mode is fully orthogonal, which allows any working register to be specified for any instruction that uses register direct addressing, and it supports both byte and word accesses. Instructions which employ register direct addressing use the contents of the specified working register as data to execute the instruction, therefore this Addressing mode is useful only when data already resides in the working register core. Sample instructions which utilize register direct addressing are shown in [Example 4-3](#).

Another feature of register direct addressing is that it provides the ability for dynamic flow control. Since variants of the DO and REPEAT instruction support register direct addressing, flexible looping constructs may be generated using these instructions.

**Note:** Instructions which must use register direct addressing, use the symbols Wb, Wn, Wns and Wnd in the summary tables of [Section 3. “Instruction Set Overview”](#). Commonly, register direct addressing may also be used when register indirect addressing may be used. Instructions which use register indirect addressing, use the symbols Wd and Ws in the summary tables of [Section 3. “Instruction Set Overview”](#).

## Example 4-3: Register Direct Addressing

EXCH	W2, W3	; Exchange W2 and W3
Before Instruction:		
W2	=	0x3499
W3	=	0x003D
After Instruction:		
W2	=	0x003D
W3	=	0x3499
IOR	#0x44, W0	; Inclusive-OR 0x44 and W0
Before Instruction:		
W0	=	0x9C2E
After Instruction:		
W0	=	0x9C6E
SL	W6, W7, W8	; Shift left W6 by W7, and store to W8
Before Instruction:		
W6	=	0x000C
W7	=	0x0008
W8	=	0x1234
After Instruction:		
W6	=	0x000C
W7	=	0x0008
W8	=	0x0C00

### 4.1.3 Register Indirect Addressing

Register indirect addressing is used to access any location in data memory by treating the contents of a working register as an Effective Address (EA) to data memory. Essentially, the contents of the working register become a pointer to the location in data memory which is to be accessed by the instruction.

This Addressing mode is powerful, because it also allows one to modify the contents of the working register, either before or after the data access is made, by incrementing or decrementing the EA. By modifying the EA in the same cycle that an operation is being performed, register indirect addressing allows for the efficient processing of data that is stored sequentially in memory. The modes of indirect addressing supported by the 16-bit MCU and DSC devices are shown in [Table 4-2](#).

**Table 4-2: Indirect Addressing Modes**

Indirect Mode	Syntax	Function (Byte Instruction)	Function (Word Instruction)	Description
No Modification	[Wn]	EA = [Wn]	EA = [Wn]	The contents of Wn forms the EA.
Pre-Increment	[++Wn]	EA = [Wn + = 1]	EA = [Wn + = 2]	Wn is pre-incremented to form the EA.
Pre-Decrement	[--Wn]	EA = [Wn - = 1]	EA = [Wn - = 2]	Wn is pre-decremented to form the EA.
Post-Increment	[Wn++]	EA = [Wn]+ = 1	EA = [Wn]+ = 2	The contents of Wn forms the EA, then Wn is post-incremented.
Post-Decrement	[Wn--]	EA = [Wn] - = 1	EA = [Wn] - = 2	The contents of Wn forms the EA, then Wn is post-decremented.
Register Offset	[Wn+Wb]	EA = [Wn + Wb]	EA = [Wn + Wb]	The sum of Wn and Wb forms the EA. Wn and Wb are not modified.

## Section 4. Instruction Set Details

Table 4-2 shows that four Addressing modes modify the EA used in the instruction, and this allows the following updates to be made to the working register: post-increment, post-decrement, pre-increment and pre-decrement. Since all EAs must be given as byte addresses, support is provided for Word mode instructions by scaling the EA update by 2. Namely, in Word mode, pre/post-decrements subtract 2 from the EA stored in the working register, and pre/post-increments add 2 to the EA. This feature ensures that after an EA modification is made, the EA will point to the next adjacent word in memory. Example 4-4 shows how indirect addressing may be used to update the EA.

Table 4-2 also shows that the Register Offset mode addresses data which is offset from a base EA stored in a working register. This mode uses the contents of a second working register to form the EA by adding the two specified working registers. This mode does not scale for Word mode instructions, but offers the complete offset range of 64 Kbytes. Note that neither of the working registers used to form the EA are modified. Example 4-5 shows how register offset indirect addressing may be used to access data memory.

**Note:** The MOV with offset instructions (see pages 285 and 286) provides a literal addressing offset ability to be used with indirect addressing. In these instructions, the EA is formed by adding the contents of a working register to a signed 10-bit literal. Example 4-6 shows how these instructions may be used to move data to and from the working register array.

### Example 4-4: Indirect Addressing with Effective Address Update

```
MOV.B  [W0++], [W13--]      ; byte move [W0] to [W13]
                                ; post-inc W0, post-dec W13
```

Before Instruction:

```
W0 = 0x2300
W13 = 0x2708
Data Memory 0x2300 = 0x7783
Data Memory 0x2708 = 0x904E
```

After Instruction:

```
W0 = 0x2301
W13 = 0x2707
Data Memory 0x2300 = 0x7783
Data Memory 0x2708 = 0x9083
```

```
ADD    W1, [--W5], [++W8]    ; pre-dec W5, pre-inc W8
                                ; add W1 to [W5], store in [W8]
```

Before Instruction:

```
W1 = 0x0800
W5 = 0x2200
W8 = 0x2400
Data Memory 0x21FE = 0x7783
Data Memory 0x2402 = 0xAACC
```

After Instruction:

```
W1 = 0x0800
W5 = 0x21FE
W8 = 0x2402
Data Memory 0x21FE = 0x7783
Data Memory 0x2402 = 0x7F83
```

## Example 4-5: Indirect Addressing with Register Offset

<pre>MOV.B  [W0+W1], [W7++]      ; byte move [W0+W1] to W7, post-inc W7</pre>
Before Instruction: <pre>W0 = 0x2300 W1 = 0x01FE W7 = 0x1000 Data Memory 0x24FE = 0x7783 Data Memory 0x1000 = 0x11DC</pre>
After Instruction: <pre>W0 = 0x2300 W1 = 0x01FE W7 = 0x1001 Data Memory 0x24FE = 0x7783 Data Memory 0x1000 = 0x1183</pre>
<pre>LAC    [W0+W8], A          ; load ACCA with [W0+W8]                           ; (sign-extend and zero-backfill)</pre>
Before Instruction: <pre>W0 = 0x2344 W8 = 0x0008 ACCA = 0x00 7877 9321 Data Memory 0x234C = 0xE290</pre>
After Instruction: <pre>W0 = 0x2344 W8 = 0x0008 ACCA = 0xFF E290 0000 Data Memory 0x234C = 0xE290</pre>

## Example 4-6: Move with Literal Offset Instructions

<pre>MOV    [W0+0x20], W1      ; move [W0+0x20] to W1</pre>
Before Instruction: <pre>W0 = 0x1200 W1 = 0x01FE Data Memory 0x1220 = 0xFD27</pre>
After Instruction: <pre>W0 = 0x1200 W1 = 0xFD27 Data Memory 0x1220 = 0xFD27</pre>
<pre>MOV    W4, [W8-0x300]    ; move W4 to [W8-0x300]</pre>
Before Instruction: <pre>W4 = 0x3411 W8 = 0x2944 Data Memory 0x2644 = 0xCB98</pre>
After Instruction: <pre>W4 = 0x3411 W8 = 0x2944 Data Memory 0x2644 = 0x3411</pre>



## 4.1.3.1 REGISTER INDIRECT ADDRESSING AND THE INSTRUCTION SET

The Addressing modes presented in [Table 4-2](#) demonstrate the Indirect Addressing mode capability of the 16-bit MCU and DSC devices. Due to operation encoding and functional considerations, not every instruction which supports indirect addressing supports all modes shown in [Table 4-2](#). The majority of instructions which use indirect addressing support the No Modify, Pre-Increment, Pre-Decrement, Post-Increment and Post-Decrement Addressing modes. The MOV instructions, and several accumulator-based DSP instructions (dsPIC30F, dsPIC33F, and dsPIC33E devices only), are also capable of using the Register Offset Addressing mode.

**Note:** Instructions which use register indirect addressing use the operand symbols Wd and Ws in the summary tables of [Section 3. “Instruction Set Overview”](#).

## 4.1.3.2 DSP MAC INDIRECT ADDRESSING MODES (dsPIC30F, dsPIC33F, AND dsPIC33E DEVICES)

A special class of Indirect Addressing modes is utilized by the DSP MAC instructions. As is described later in [Section 4.14 “DSP MAC Instructions \(dsPIC30F, dsPIC33F and dsPIC33E Devices\)”](#), the DSP MAC class of instructions are capable of performing two fetches from memory using effective addressing. Since DSP algorithms frequently demand a broader range of address updates, the Addressing modes offered by the DSP MAC instructions provide greater range in the size of the effective address update which may be made. [Table 4-3](#) shows that both X and Y prefetches support Post-Increment and Post-Decrement Addressing modes, with updates of 2, 4 and 6 bytes. Since DSP instructions only execute in Word mode, no provisions are made for odd sized EA updates.

**Table 4-3: DSP MAC Indirect Addressing Modes**

Addressing Mode	X Memory	Y Memory
Indirect with no modification	EA = [Wx]	EA = [Wy]
Indirect with Post-Increment by 2	EA = [Wx] + = 2	EA = [Wy] + = 2
Indirect with Post-Increment by 4	EA = [Wx] + = 4	EA = [Wy] + = 4
Indirect with Post-Increment by 6	EA = [Wx] + = 6	EA = [Wy] + = 6
Indirect with Post-Decrement by 2	EA = [Wx] – = 2	EA = [Wy] – = 2
Indirect with Post-Decrement by 4	EA = [Wx] – = 4	EA = [Wy] – = 4
Indirect with Post-Decrement by 6	EA = [Wx] – = 6	EA = [Wy] – = 6
Indirect with Register Offset	EA = [W9 + W12]	EA = [W11 + W12]

**Note:** As described in [Section 4.14 “DSP MAC Instructions \(dsPIC30F, dsPIC33F and dsPIC33E Devices\)”](#), only W8 and W9 may be used to access X Memory, and only W10 and W11 may be used to access Y Memory.

## 4.1.3.3 MODULO AND BIT-REVERSED ADDRESSING MODES (dsPIC30F, dsPIC33F, AND dsPIC33E DEVICES)

The 16-bit DSC architecture provides support for two special Register Indirect Addressing modes, which are commonly used to implement DSP algorithms. Modulo (or circular) addressing provides an automated means to support circular data buffers in X and/or Y memory. Modulo buffers remove the need for software to perform address boundary checks, which can improve the performance of certain algorithms. Similarly, bit-reversed addressing allows one to access the elements of a buffer in a nonlinear fashion. This Addressing mode simplifies data re-ordering for radix-2 FFT algorithms and provides a significant reduction in FFT processing time.

Both of these Addressing modes are powerful features of the dsPIC30F, dsPIC33F, and dsPIC33E architectures, which can be exploited by any instruction that uses indirect addressing. Refer to the specific device family reference manual for details on using modulo and bit-reversed addressing.

## 4.1.4 Immediate Addressing

In immediate addressing, the instruction encoding contains a predefined constant operand, which is used by the instruction. This Addressing mode may be used independently, but it is more frequently combined with the File Register, Direct and Indirect Addressing modes. The size of the immediate operand which may be used varies with the instruction type. Constants of size 1-bit (#lit1), 4-bit (#bit4, #lit4 and #Slit4), 5-bit (#lit5), 6-bit (#Slit6), 8-bit (#lit8), 10-bit (#lit10 and #Slit10), 14-bit (#lit14) and 16-bit (#lit16) may be used. Constants may be signed or unsigned and the symbols #Slit4, #Slit6 and #Slit10 designate a signed constant. All other immediate constants are unsigned. Table 4-4 shows the usage of each immediate operand in the instruction set.

**Note:** The 6-bit (#Slit6) operand is only available in dsPIC30F, dsPIC33F, and dsPIC33E devices.

**Table 4-4: Immediate Operands in the Instruction Set**

Operand	Instruction Usage
#lit1	PWRSVAV
#bit4	BCLR, BSET, BTG, BTSC, BTSS, BTST, BTST.C, BTST.Z, BTSTS, BTSTS.C, BTSTS.Z
#lit4	ASR, LSR, SL
#Slit4	ADD, LAC, SAC, SAC.R
#lit5	ADD, ADDC, AND, CP <sup>(5)</sup> , CPB <sup>(5)</sup> , IOR, MUL.SU, MUL.UU, SUB, SUBB, SUBBR, SUBR, XOR
#Slit6 <sup>(1)</sup>	SFTAC
#lit8	MOV.B, CP <sup>(4)</sup> , CPB <sup>(4)</sup>
#lit10	ADD, ADDC, AND, CP, CPB, IOR, RETLW, SUB, SUBB, XOR
#Slit10	MOV
#lit14	DISI, DO <sup>(2)</sup> , LNK, REPEAT <sup>(5)</sup>
#lit15	DO <sup>(3)</sup> , REPEAT <sup>(4)</sup>
#lit16	MOV

- Note 1:** This operand or instruction is only available in dsPIC30F, dsPIC33F, and dsPIC33E devices.
- 2:** This operand or instruction is only available in dsPIC30F and dsPIC33F devices.
- 3:** This operand or instruction is only available in dsPIC33E devices.
- 4:** This operand or instruction is only available in dsPIC33E and PIC24E devices.
- 5:** This operand or instruction is only available in dsPIC30F, dsPIC33F, PIC24F, and PIC24H devices.

The syntax for immediate addressing requires that the number sign (#) must immediately precede the constant operand value. The “#” symbol indicates to the assembler that the quantity is a constant. If an out-of-range constant is used with an instruction, the assembler will generate an error. Several examples of immediate addressing are shown in Example 4-7.

## Example 4-7: Immediate Addressing

```

PWRSAV #1                ; Enter IDLE mode

ADD.B #0x10, W0          ; Add 0x10 to W0 (byte mode)

Before Instruction:
W0 = 0x12A9
After Instruction:
W0 = 0x12B9

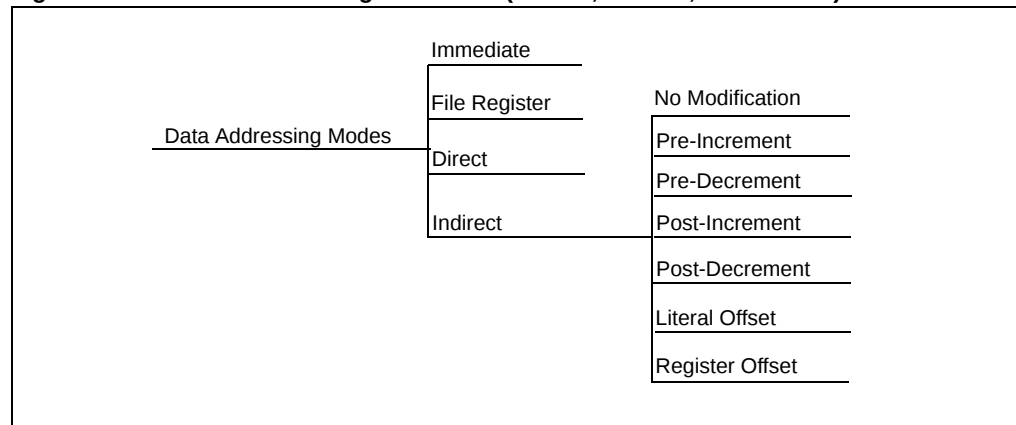
XOR    W0, #1, [W1++]    ; Exclusive-OR W0 and 0x1
                          ; Store the result to [W1]
                          ; Post-increment W1

Before Instruction:
W0 = 0xFFFF
W1 = 0x0890
Data Memory 0x0890 = 0x0032
After Instruction:
W0 = 0xFFFF
W1 = 0x0892
Data Memory 0x0890 = 0xFFFE
    
```

### 4.1.5 Data Addressing Mode Tree

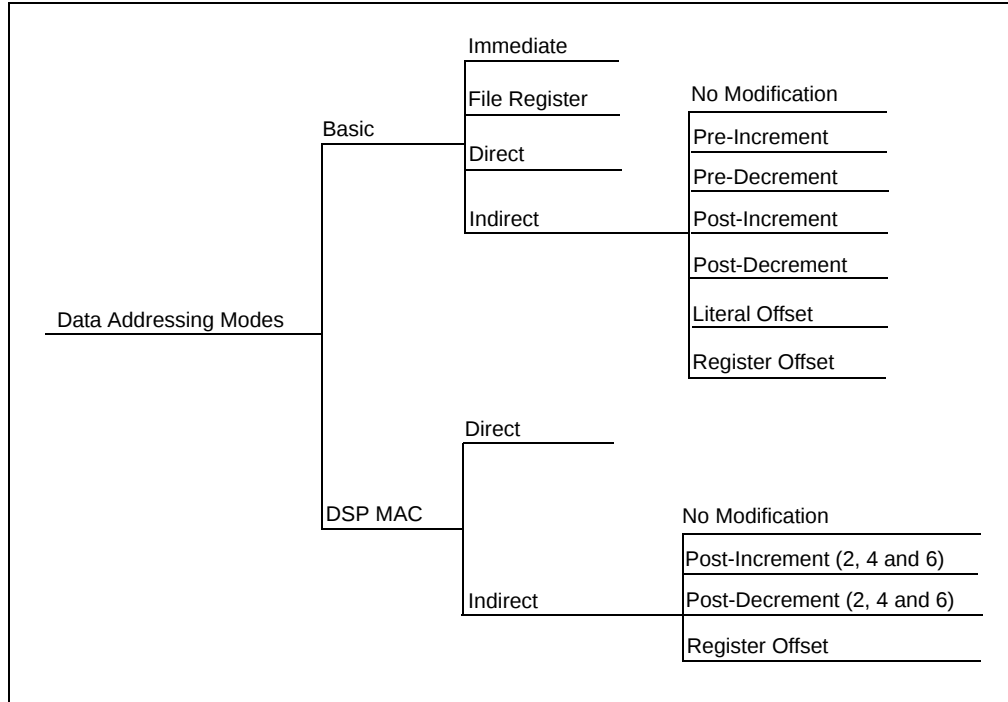
The Data Addressing modes of the PIC24F, PIC24H, and PIC24E families are summarized in [Figure 4-1](#).

**Figure 4-1: Data Addressing Mode Tree (PIC24F, PIC24H, and PIC24E)**



The Data Addressing modes of the dsPIC30F, dsPIC33F, and dsPIC33E are summarized in [Figure 4-2](#).

Figure 4-2: Data Addressing Mode Tree (dsPIC30F, dsPIC33F, and dsPIC33E)



## 4.2 PROGRAM ADDRESSING MODES

The 16-bit MCU and DSC devices have a 24-bit Program Counter (PC). The PC addresses the 24-bit wide program memory to fetch instructions for execution, and it may be loaded in several ways. For byte compatibility with the table read and table write instructions, each instruction word consumes two locations in program memory. This means that during serial execution, the PC is loaded with PC + 2.

Several methods may be used to modify the PC in a non-sequential manner, and both absolute and relative changes may be made to the PC. The change to the PC may be from an immediate value encoded in the instruction, or a dynamic value contained in a working register. In dsPIC30F, dsPIC33F, and dsPIC33E devices, when DO looping is active, the PC is loaded with the address stored in the DOSTART register, after the instruction at the DOEND address is executed. For exception handling, the PC is loaded with the address of the exception handler, which is stored in the interrupt vector table. When required, the software stack is used to return scope to the foreground process from where the change in program flow occurred.

Table 4-5 summarizes the instructions which modify the PC. When performing function calls, it is recommended that RCALL be used instead of CALL, since RCALL only consumes 1 word of program memory.

**Table 4-5: Methods of Modifying Program Flow**

Condition/Instruction	PC Modification	Software Stack Usage
Sequential Execution	PC = PC + 2	None
BRA Expr <sup>(1)</sup> (Branch Unconditionally)	PC = PC + 2*Slit16	None
BRA Condition, Expr <sup>(1)</sup> (Branch Conditionally)	PC = PC + 2 (condition false) PC = PC + 2 * Slit16 (condition true)	None
CALL Expr <sup>(1)</sup> (Call Subroutine)	PC = lit23	PC + 4 is PUSHed on the stack <sup>(2)</sup>
CALL Wn (Call Subroutine Indirect)	PC = Wn	PC + 2 is PUSHed on the stack <sup>(2)</sup>
CALL.L Wn <sup>(5)</sup> (Call Indirect Subroutine Long)	PC = {Wn+1:Wn}	None
GOTO Expr <sup>(1)</sup> (Unconditional Jump)	PC = lit23	None
GOTO Wn (Unconditional Indirect Jump)	PC = Wn	None
GOTO.L Wn <sup>(5)</sup> (Unconditional Indirect Long Jump)	PC = {Wn+1:Wn}	None
RCALL Expr <sup>(1)</sup> (Relative Call)	PC = PC + 2 * Slit16	PC + 2 is PUSHed on the stack <sup>(2)</sup>
RCALL Wn (Computed Relative Call)	PC = PC + 2 * Wn	PC + 2 is PUSHed on the stack <sup>(2)</sup>
Exception Handling	PC = address of the exception handler (read from vector table)	PC + 2 is PUSHed on the stack <sup>(3)</sup>
PC = Target REPEAT instruction (REPEAT Looping)	PC not modified (if REPEAT active)	None
PC = DOEND address <sup>(4)</sup> (DO Looping)	PC = DOSTART (if DO active)	None

- Note 1:** For BRA, CALL and GOTO, the Expr may be a label, absolute address, or expression, which is resolved by the linker to a 16-bit or 23-bit value (Slit16 or lit23). See [Section 5. “Instruction Descriptions”](#) for details.
- 2:** After CALL or RCALL is executed, RETURN or RETLW will POP the Top-of-Stack (TOS) back into the PC.
- 3:** After an exception is processed, RETFIE will POP the Top-of-Stack (TOS) back into the PC.
- 4:** This condition/instruction is only available in dsPIC30F, dsPIC33F, and dsPIC33E devices.
- 5:** This condition instruction is only available in dsPIC33E and PIC24E devices.

## 4.3 INSTRUCTION STALLS

In order to maximize the data space EA calculation and operand fetch time, the X data space read and write accesses are partially pipelined. A consequence of this pipelining is that address register data dependencies may arise between successive read and write operations using common registers.

'Read After Write' (RAW) dependencies occur across instruction boundaries and are detected by the hardware. An example of a RAW dependency would be a write operation that modifies W5, followed by a read operation that uses W5 as an Address Pointer. The contents of W5 will not be valid for the read operation until the earlier write completes. This problem is resolved by stalling the instruction execution for one instruction cycle, which allows the write to complete before the next read is started.

### 4.3.1 RAW Dependency Detection

During the instruction pre-decode, the core determines if any address register dependency is imminent across an instruction boundary. The stall detection logic compares the W register (if any) used for the destination EA of the instruction currently being executed with the W register to be used by the source EA (if any) of the prefetched instruction. When a match between the destination and source registers is identified, a set of rules are applied to decide whether or not to stall the instruction by one cycle. Table 4-6 lists various RAW conditions which cause an instruction execution stall.

**Table 4-6: Raw Dependency Rules (Detection By Hardware)**

Destination Address Mode Using Wn	Source Address Mode Using Wn	Stall Required?	Examples <sup>(2)</sup> (Wn = W2)
Direct	Direct	No Stall	ADD.W W0, W1, W2 MOV.W W2, W3
Indirect	Direct	No Stall	ADD.W W0, W1, [W2] MOV.W W2, W3
Indirect	Indirect	No Stall	ADD.W W0, W1, [W2] MOV.W [W2], W3
Indirect	Indirect with pre/post-modification	No Stall	ADD.W W0, W1, [W2] MOV.W [W2++], W3
Indirect with pre/post-modification	Direct	No Stall	ADD.W W0, W1, [W2++] MOV.W W2, W3
Direct	Indirect	Stall <sup>(1)</sup>	ADD.W W0, W1, W2 MOV.W [W2], W3
Direct	Indirect with pre/post-modification	Stall <sup>(1)</sup>	ADD.W W0, W1, W2 MOV.W [W2++], W3
Indirect	Indirect	Stall <sup>(1)</sup>	ADD.W W0, W1, [W2](2) MOV.W [W2], W3(2)
Indirect	Indirect with pre/post-modification	Stall <sup>(1)</sup>	ADD.W W0, W1, [W2](2) MOV.W [W2++], W3(2)
Indirect with pre/post-modification	Indirect	Stall <sup>(1)</sup>	ADD.W W0, W1, [W2++] MOV.W [W2], W3
Indirect with pre/post-modification	Indirect with pre/post-modification	Stall <sup>(1)</sup>	ADD.W W0, W1, [W2++] MOV.W [W2++], W3

**Note 1:** When stalls are detected, one cycle is added to the instruction execution time.

**2:** For these examples, the contents of W2 = the mapped address of W2 (0x0004).

### 4.3.2 Instruction Stalls and Exceptions

In order to maintain deterministic operation, instruction stalls are allowed to happen, even if they occur immediately prior to exception processing.

### 4.3.3 Instruction Stalls and Instructions that Change Program Flow

CALL and RCALL write to the stack using W15 and may, therefore, be subject to an instruction stall if the source read of the subsequent instruction uses W15.

GOTO, RETFIE and RETURN instructions are never subject to an instruction stall because they do not perform write operations to the working registers.

### 4.3.4 Instruction Stalls and D0/REPEAT Loops

Instructions operating in a D0 or REPEAT loop are subject to instruction stalls, just like any other instruction. Stalls may occur on loop entry, loop exit and also during loop processing.

**Note:** D0 loops are only available in dsPIC30F, dsPIC33F, and dsPIC33E devices.

### 4.3.5 Instruction Stalls and PSV

Instructions operating in PSV address space are subject to instruction stalls, just like any other instruction. Should a data dependency be detected in the instruction immediately following the PSV data access, the second cycle of the instruction will initiate a stall. Should a data dependency be detected in the instruction immediately before the PSV data access, the last cycle of the previous instruction will initiate a stall.

**Note:** Refer to the specific device family reference manual for more detailed information about RAW instruction stalls.

## 4.4 BYTE OPERATIONS

Since the data memory is byte addressable, most of the base instructions may operate in either Byte mode or Word mode. When these instructions operate in Byte mode, the following rules apply:

- All direct working register references use the Least Significant Byte of the 16-bit working register and leave the Most Significant Byte (MSB) unchanged
- All indirect working register references use the data byte specified by the 16-bit address stored in the working register
- All file register references use the data byte specified by the byte address
- The STATUS Register is updated to reflect the result of the byte operation

It should be noted that data addresses are always represented as **byte** addresses. Additionally, the native data format is little-endian, which means that words are stored with the Least Significant Byte at the lower address, and the Most Significant Byte at the adjacent, higher address (as shown in [Figure 4-3](#)). [Example 4-8](#) shows sample byte move operations and [Example 4-9](#) shows sample byte math operations.

**Note:** Instructions that operate in Byte mode must use the “.b” or “.B” instruction extension to specify a byte instruction. For example, the following two instructions are valid forms of a byte clear operation:

- CLR.b W0
- CLR.B W0

### Example 4-8: Sample Byte Move Operations

```
MOV.B #0x30, W0      ; move the literal byte 0x30 to W0
Before Instruction:
W0 = 0x5555
After Instruction:
W0 = 0x5530

MOV.B 0x1000, W0     ; move the byte at 0x1000 to W0
Before Instruction:
W0 = 0x5555
Data Memory 0x1000 = 0x1234
After Instruction:
W0 = 0x5534
Data Memory 0x1000 = 0x1234

MOV.B W0, 0x1001     ; byte move W0 to address 0x1001
Before Instruction:
W0 = 0x1234
Data Memory 0x1000 = 0x5555
After Instruction:
W0 = 0x1234
Data Memory 0x1000 = 0x3455

MOV.B W0, [W1++]     ; byte move W0 to [W1], then post-inc W1
Before Instruction:
W0 = 0x1234
W1 = 0x1001
Data Memory 0x1000 = 0x5555
After Instruction:
W0 = 0x1234
W1 = 0x1002
Data Memory 0x1000 = 0x3455
```



### Example 4-9: Sample Byte Math Operations

```
CLR.B [W6--] ; byte clear [W6], then post-dec W6
Before Instruction:
W6 = 0x1001
Data Memory 0x1000 = 0x5555
After Instruction:
W6 = 0x1000
Data Memory 0x1000 = 0x0055

SUB.B W0, #0x10, W1 ; byte subtract literal 0x10 from W0
; and store to W1
Before Instruction:
W0 = 0x1234
W1 = 0xFFFF
After Instruction:
W0 = 0x1234
W1 = 0xFF24

ADD.B W0, W1, [W2++] ; byte add W0 and W1, store to [W2]
; and post-inc W2
Before Instruction:
W0 = 0x1234
W1 = 0x5678
W2 = 0x1000
Data Memory 0x1000 = 0x5555
After Instruction:
W0 = 0x1234
W1 = 0x5678
W2 = 0x1001
Data Memory 0x1000 = 0x55AC
```

## 4.5 WORD MOVE OPERATIONS

Even though the data space is byte addressable, all move operations made in Word mode must be word-aligned. This means that for all source and destination operands, the Least Significant address bit must be '0'. If a word move is made to or from an odd address, an address error exception is generated. Likewise, all double words must be word-aligned. [Figure 4-3](#) shows how bytes and words may be aligned in data memory. [Example 4-10](#) contains several legal word move operations.

When an exception is generated due to a misaligned access, the exception is taken after the instruction executes. If the illegal access occurs from a data read, the operation will be allowed to complete, but the Least Significant bit of the source address will be cleared to force word alignment. If the illegal access occurs during a data write, the write will be inhibited. [Example 4-11](#) contains several illegal word move operations.

**Figure 4-3: Data Alignment in Memory**

0x1001		<b>b0</b>	0x1000
0x1003	<b>b1</b>		0x1002
0x1005	<b>b3</b>	<b>b2</b>	0x1004
0x1007	<b>b5</b>	<b>b4</b>	0x1006
0x1009	<b>b7</b>	<b>b6</b>	0x1008
0x100B		<b>b8</b>	0x100A

**Legend:**  
b0 – byte stored at 0x1000  
b1 – byte stored at 0x1003  
b3:b2 – word stored at 0x1005:1004 (b2 is LSB)  
b7:b4 – double word stored at 0x1009:0x1006 (b4 is LSB)  
b8 – byte stored at 0x100A

**Note:** Instructions that operate in Word mode are not required to use an instruction extension. However, they may be specified with an optional “.w” or “.W” extension, if desired. For example, the following instructions are valid forms of a word clear operation:

- CLR W0
- CLR.w W0
- CLR.W W0

### Example 4-10: Legal Word Move Operations

```
MOV    #0x30, W0          ; move the literal word 0x30 to W0
Before Instruction:
W0 = 0x5555
After Instruction:
W0 = 0x0030

MOV    0x1000, W0         ; move the word at 0x1000 to W0
Before Instruction:
W0 = 0x5555
Data Memory 0x1000 = 0x1234
After Instruction:
W0 = 0x1234
Data Memory 0x1000 = 0x1234

MOV    [W0], [W1++]      ; word move [W0] to [W1],
                        ; then post-inc W1
Before Instruction:
W0 = 0x1234
W1 = 0x1000
Data Memory 0x1000 = 0x5555
Data Memory 0x1234 = 0xAAAA
After Instruction:
W0 = 0x1234
W1 = 0x1002
Data Memory 0x1000 = 0xAAAA
Data Memory 0x1234 = 0xAAAA
```

## Example 4-11: Illegal Word Move Operations

```
MOV    0x1001, W0          ; move the word at 0x1001 to W0
```

Before Instruction:  
W0 = 0x5555  
Data Memory 0x1000 = 0x1234  
Data Memory 0x1002 = 0x5678

After Instruction:  
W0 = 0x1234  
Data Memory 0x1000 = 0x1234  
Data Memory 0x1002 = 0x5678

ADDRESS ERROR TRAP GENERATED  
(source address is misaligned, so MOV is performed)

```
MOV    W0, 0x1001         ; move W0 to the word at 0x1001
```

Before Instruction:  
W0 = 0x1234  
Data Memory 0x1000 = 0x5555  
Data Memory 0x1002 = 0x6666

After Instruction:  
W0 = 0x1234  
Data Memory 0x1000 = 0x5555  
Data Memory 0x1002 = 0x6666

ADDRESS ERROR TRAP GENERATED  
(destination address is misaligned, so MOV is not performed)

```
MOV    [W0], [W1++]      ; word move [W0] to [W1],  
                        ; then post-inc W1
```

Before Instruction:  
W0 = 0x1235  
W1 = 0x1000  
Data Memory 0x1000 = 0x1234  
Data Memory 0x1234 = 0xAAAA  
Data Memory 0x1236 = 0xBBBB

After Instruction:  
W0 = 0x1235  
W1 = 0x1002  
Data Memory 0x1000 = 0xAAAA  
Data Memory 0x1234 = 0xAAAA  
Data Memory 0x1236 = 0xBBBB

ADDRESS ERROR TRAP GENERATED  
(source address is misaligned, so MOV is performed)

## 4.6 USING 10-BIT LITERAL OPERANDS

Several instructions that support Byte and Word mode have 10-bit operands. For byte instructions, a 10-bit literal is too large to use. So when 10-bit literals are used in Byte mode, the range of the operand must be reduced to 8 bits or the assembler will generate an error. [Table 4-7](#) shows that the range of a 10-bit literal is 0:1023 in Word mode and 0:255 in Byte mode.

Instructions which employ 10-bit literals in Byte and Word mode are: ADD, ADDC, AND, IOR, RETLW, SUB, SUBB, and XOR. [Example 4-12](#) shows how positive and negative literals are used in Byte mode for the ADD instruction.

**Table 4-7: 10-bit Literal Coding**

Literal Value	Word Mode	Byte Mode
	kk kkkk kkkk	kkkk kkkk
0	00 0000 0000	0000 0000
1	00 0000 0001	0000 0001
2	00 0000 0010	0000 0010
127	00 0111 1111	0111 1111
128	00 1000 0000	1000 0000
255	00 1111 1111	1111 1111
256	01 0000 0000	N/A
512	10 0000 0000	N/A
1023	11 1111 1111	N/A

**Example 4-12: Using 10-bit Literals for Byte Operands**

ADD.B #0x80, W0	; add 128 (or -128) to W0
ADD.B #0x380, W0	; ERROR... Illegal syntax for byte mode
ADD.B #0xFF, W0	; add 255 (or -1) to W0
ADD.B #0x3FF, W0	; ERROR... Illegal syntax for byte mode
ADD.B #0xF, W0	; add 15 to W0
ADD.B #0x7F, W0	; add 127 to W0
ADD.B #0x100, W0	; ERROR... Illegal syntax for byte mode

**Note:** Using a literal value greater than 127 in Byte mode is functionally identical to using the equivalent negative two's complement value, since the Most Significant bit of the byte is set. When operating in Byte mode, the Assembler will accept either a positive or negative literal value (i.e., #-10).

## 4.7 SOFTWARE STACK POINTER AND FRAME POINTER

### 4.7.1 Software Stack Pointer

The 16-bit MCU and DSC devices feature a software stack which facilitates function calls and exception handling. W15 is the default Stack Pointer (SP) and after any Reset, it is initialized to 0x0800 (0x1000 for PIC24E and dsPIC33E devices). This ensures that the SP will point to valid RAM and permits stack availability for exceptions, which may occur before the SP is set by the user software. The user may reprogram the SP during initialization to any location within data space.

The SP always points to the first available free word (Top-of-Stack) and fills the software stack, working from lower addresses towards higher addresses. It pre-decrements for a stack POP (read) and post-increments for a stack PUSH (write).

The software stack is manipulated using the PUSH and POP instructions. The PUSH and POP instructions are the equivalent of a MOV instruction, with W15 used as the destination pointer. For example, the contents of W0 can be PUSHed onto the Top-of-Stack (TOS) by:

```
PUSH W0
```

This syntax is equivalent to:

```
MOV W0, [W15++]
```

The contents of the TOS can be returned to W0 by:

```
POP W0
```

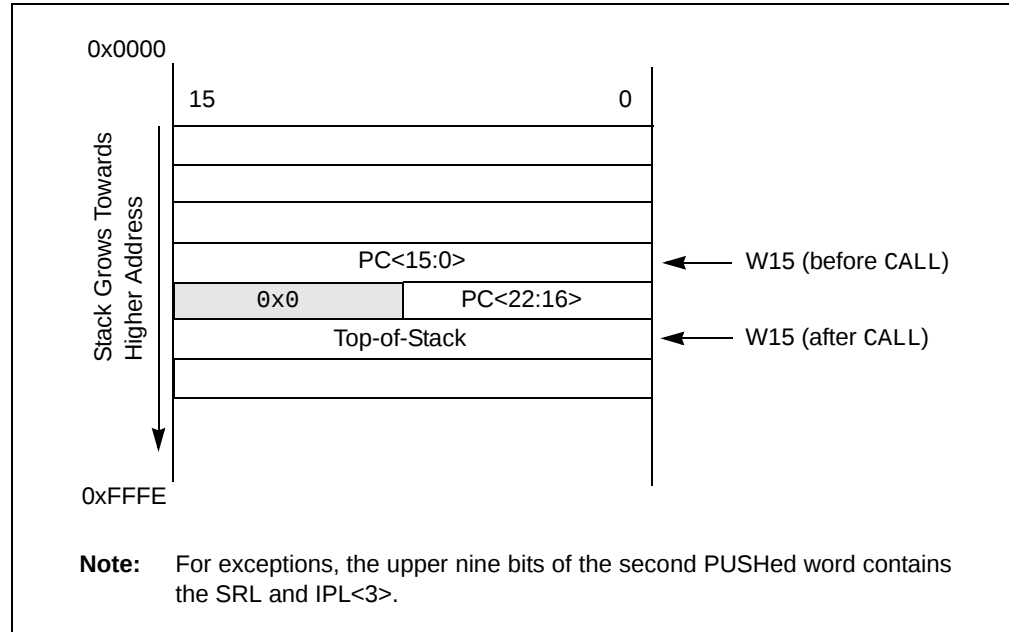
This syntax is equivalent to:

```
MOV [--W15], W0
```

During any CALL instruction, the PC is PUSHed onto the stack, such that when the subroutine completes execution, program flow may resume from the correct location. When the PC is PUSHed onto the stack, PC<15:0> is PUSHed onto the first available stack word, then PC<22:16> is PUSHed. When PC<22:16> is PUSHed, the Most Significant 7 bits of the PC are zero-extended before the PUSH is made, as shown in Figure 4-4. During exception processing, the Most Significant 7 bits of the PC are concatenated with the lower byte of the STATUS register (SRL) and IPL<3>, CORCON<3>. This allows the primary STATUS register contents and CPU Interrupt Priority Level to be automatically preserved during interrupts.

**Note:** In order to protect against misaligned stack accesses, W15<0> is always clear.

**Figure 4-4: Stack Operation for CALL Instruction**



## 4.7.1.1 STACK POINTER EXAMPLE

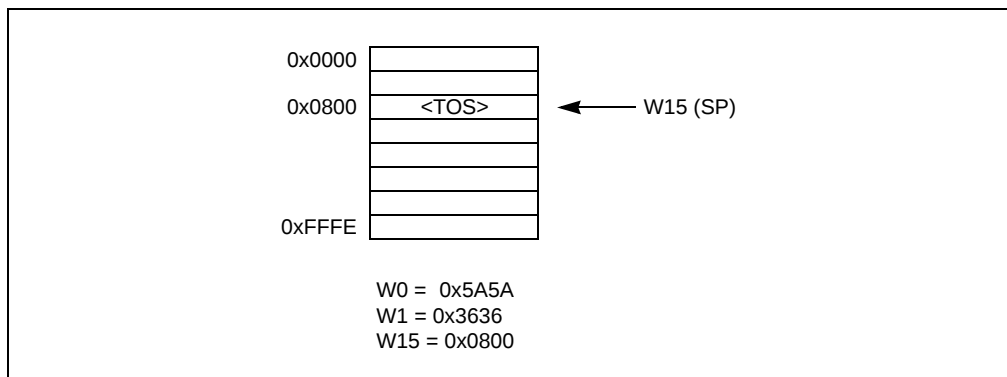
Figure 4-5 through Figure 4-8 show how the software stack is modified for the code snippet shown in Example 4-13. Figure 4-5 shows the software stack before the first PUSH has executed. Note that the SP has the initialized value of 0x0800. Furthermore, the example loads 0x5A5A and 0x3636 to W0 and W1, respectively. The stack is PUSHed for the first time in Figure 4-6 and the value contained in W0 is copied to TOS. W15 is automatically updated to point to the next available stack location, and the new TOS is 0x0802. In Figure 4-7, the contents of W1 are PUSHed onto the stack, and the new TOS becomes 0x0804. In Figure 4-8, the stack is POPped, which copies the last PUSHed value (W1) to W3. The SP is decremented during the POP operation, and at the end of the example, the final TOS is 0x0802.

### Example 4-13: Stack Pointer Usage

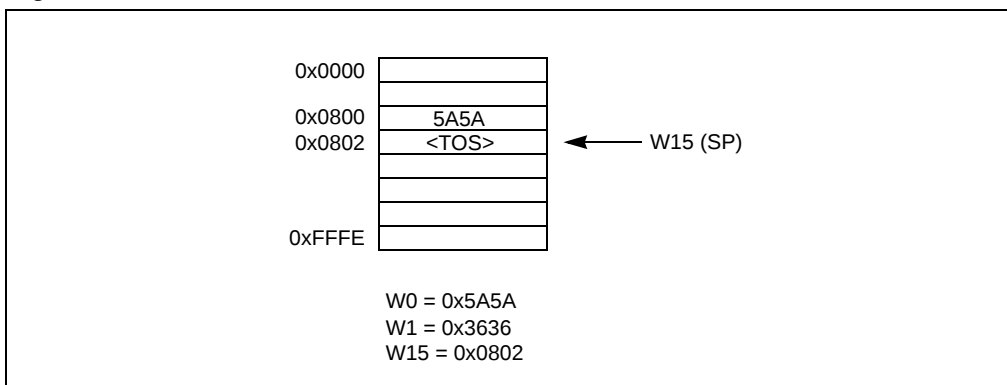
```

MOV    #0x5A5A, W0    ; Load W0 with 0x5A5A
MOV    #0x3636, W1    ; Load W1 with 0x3636
PUSH   W0             ; Push W0 to TOS (see Figure 4-5)
PUSH   W1             ; Push W1 to TOS (see Figure 4-7)
POP    W3             ; Pop TOS to W3 (see Figure 4-8)
    
```

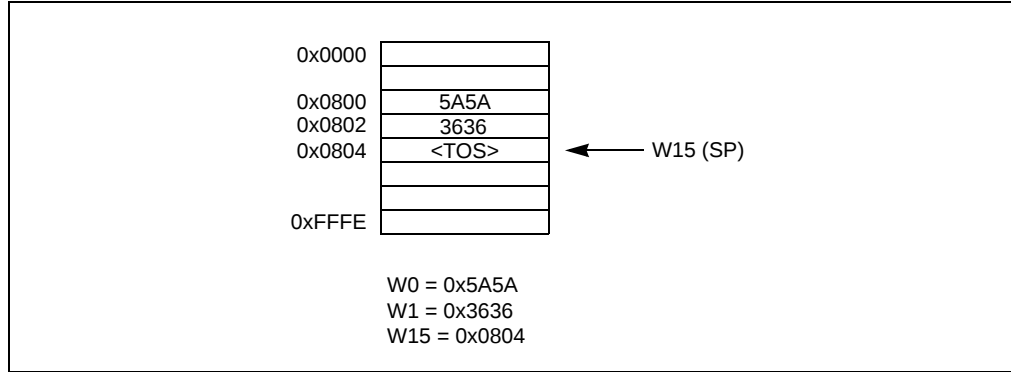
**Figure 4-5: Stack Pointer Before The First PUSH**



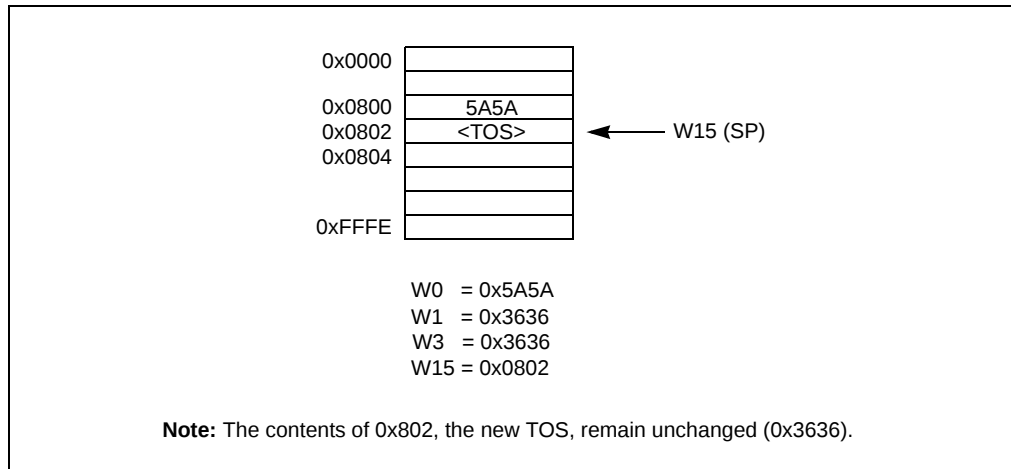
**Figure 4-6: Stack Pointer After “PUSH W0” Instruction**



**Figure 4-7: Stack Pointer After "PUSH W1" Instruction**



**Figure 4-8: Stack Pointer After "POP W3" Instruction**



## 4.7.2 Software Stack Frame Pointer

A Stack Frame is a user-defined section of memory residing in the software stack. It is used to allocate memory for temporary variables which a function uses, and one Stack Frame may be created for each function. W14 is the default Stack Frame Pointer (FP) and it is initialized to 0x0000 on any Reset. If the Stack Frame Pointer is not used, W14 may be used like any other working register.

The link (LNK) and unlink (ULNK) instructions provide Stack Frame functionality. The LNK instruction is used to create a Stack Frame. It is used during a call sequence to adjust the SP, such that the stack may be used to store temporary variables utilized by the called function. After the function completes execution, the ULNK instruction is used to remove the Stack Frame created by the LNK instruction. The LNK and ULNK instructions must always be used together to avoid stack overflow.



## 4.7.2.1 STACK FRAME POINTER EXAMPLE

Figure 4-9 through Figure 4-11 show how a Stack Frame is created and removed for the code snippet shown in Example 4-14. This example demonstrates how a Stack Frame operates and is not indicative of the code generated by the compiler. Figure 4-9 shows the stack condition at the beginning of the example, before any registers are pushed to the stack. Here, W15 points to the first free stack location (TOS) and W14 points to a portion of stack memory allocated for the routine that is currently executing.

Before calling the function "COMPUTE", the parameters of the function (W0, W1 and W2) are PUSHed on the stack. After the "CALL COMPUTE" instruction is executed, the PC changes to the address of "COMPUTE" and the return address of the function "TASKA" is placed on the stack (Figure 4-10). Function "COMPUTE" then uses the "LNK #4" instruction to PUSH the calling routine's Frame Pointer value onto the stack and the new Frame Pointer will be set to point to the current Stack Pointer. Then, the literal 4 is added to the Stack Pointer address in W15, which reserves memory for two words of temporary data (Figure 4-11).

Inside the function "COMPUTE", the FP is used to access the function parameters and temporary (local) variables. [W14 + n] will access the temporary variables used by the routine and [W14 - n] is used to access the parameters. At the end of the function, the ULNK instruction is used to copy the Frame Pointer address to the Stack Pointer and then POP the calling subroutine's Frame Pointer back to the W14 register. The ULNK instruction returns the stack back to the state shown in Figure 4-10.

A RETURN instruction will return to the code that called the subroutine. The calling code is responsible for removing the parameters from the stack. The RETURN and POP instructions restore the stack to the state shown in Figure 4-9.

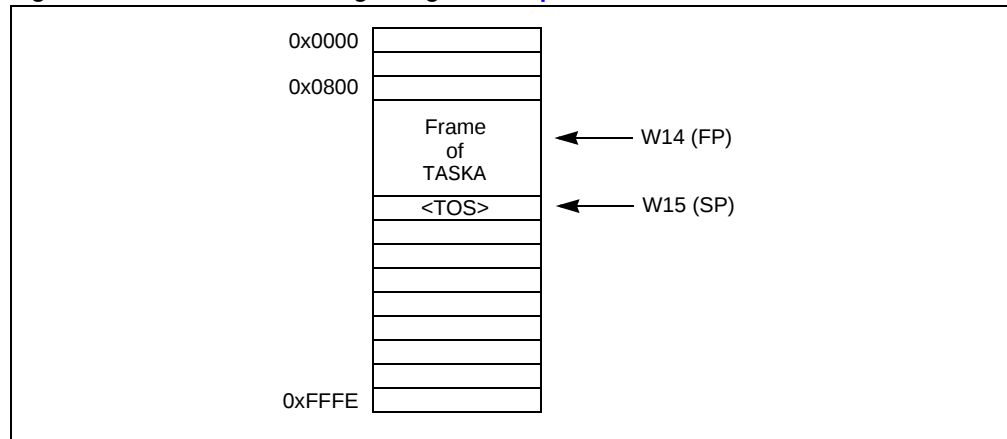
### Example 4-14: Frame Pointer Usage

```

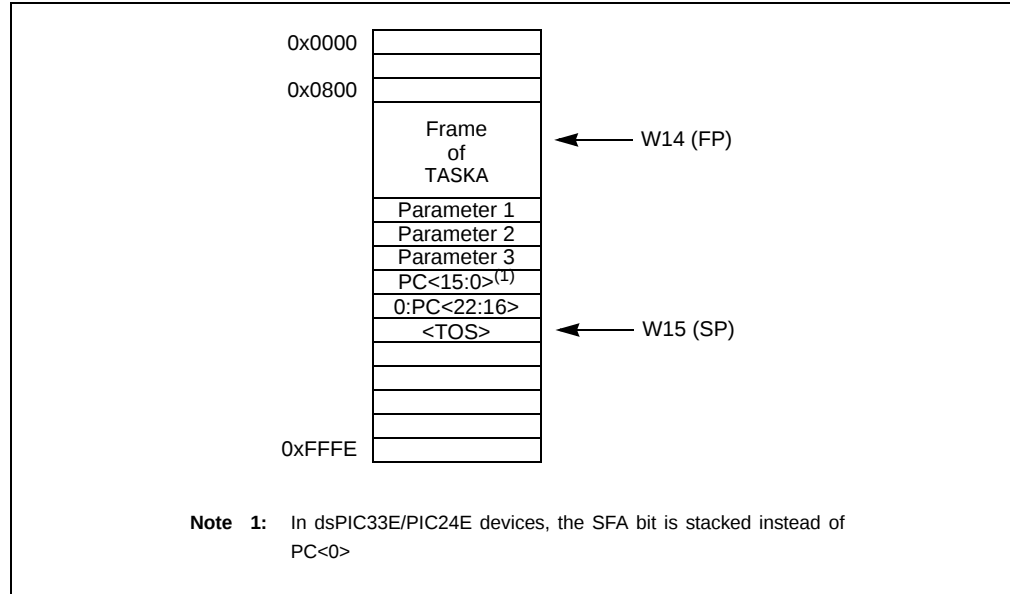
TASKA:
...
PUSH  W0      ; Push parameter 1
PUSH  W1      ; Push parameter 2
PUSH  W2      ; Push parameter 3
CALL  COMPUTE ; Call COMPUTE function
POP   W2      ; Pop parameter 3
POP   W1      ; Pop parameter 2
POP   W0      ; Pop parameter 1
...

COMPUTE:
LNK   #4      ; Stack FP, allocate 4 bytes for local variables
...
ULNK  ; Free allocated memory, restore original FP
RETURN ; Return to TASKA
    
```

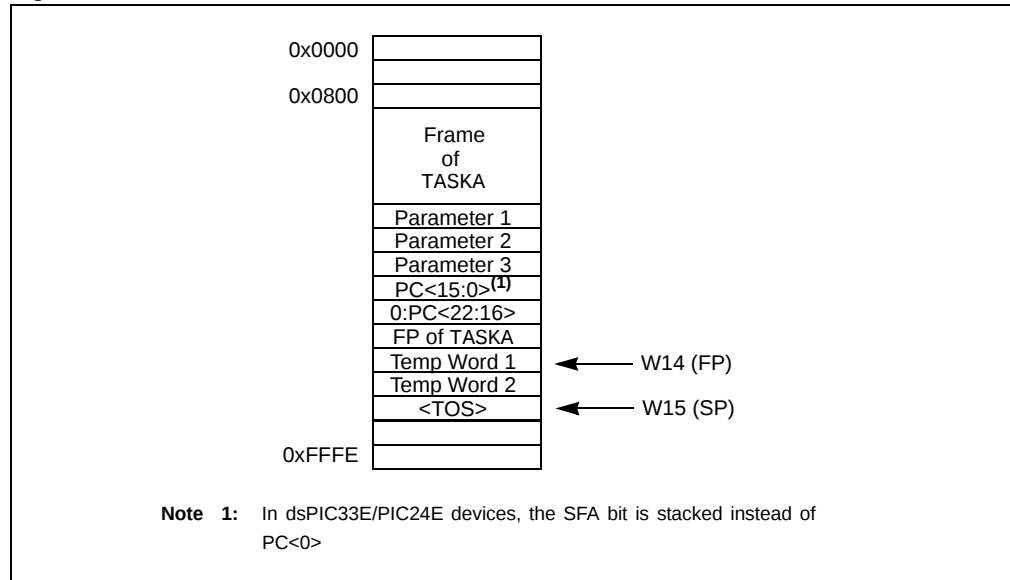
Figure 4-9: Stack at the Beginning of Example 4-14



**Figure 4-10: Stack After "CALL COMPUTE" Executes**



**Figure 4-11: Stack After "LNK #4" Executes**



### 4.7.3 Stack Pointer Overflow

There is a Stack Limit register (SPLIM) associated with the Stack Pointer that is reset to 0x0000. SPLIM is a 16-bit register, but SPLIM<0> is fixed to '0', because all stack operations must be word-aligned.

The stack overflow check will not be enabled until a word write to SPLIM occurs, after which time it can only be disabled by a device Reset. All effective addresses generated using W15 as a source or destination are compared against the value in SPLIM. Should the effective address be greater than the contents of SPLIM, then a stack error trap is generated.

If stack overflow checking has been enabled, a stack error trap will also occur if the W15 effective address calculation wraps over the end of data space (0xFFFF).

Refer to the specific device family reference manual for more information on the stack error trap.

### 4.7.4 Stack Pointer Underflow

The stack is initialized to 0x0800 during Reset (0x1000 for PIC24E and dsPIC33E devices). A stack error trap will be initiated should the Stack Pointer address ever be less than 0x0800 (0x1000 for PIC24E and dsPIC33E devices).

**Note:** Locations in data space between 0x0000 and 0x07FF (0x0FFF for PIC24E and dsPIC33E devices) are, in general, reserved for core and peripheral Special Function Registers (SFRs).

### 4.7.5 Stack Frame Active (SFA) Control (dsPIC33E and PIC24E Devices)

W15 is never subject to paging and is therefore restricted to address range 0x000000 to 0x00FFFF. However, the Stack Frame Pointer (W14) for any user software function is only dedicated to that function when a stack frame addressed by W14 is active (i.e., after a LNK instruction). Therefore, it is desirable to have the ability to dynamically switch W14 between use as a general purpose W register, and use as a Stack Frame Pointer. The SFA Status bit (CORCON<2>) achieves this function without additional software overhead.

When the SFA bit is clear, W14 may be used with any page register. When SFA is set, W14 is not subject to paging and is locked into the same address range as W15 (0x000000 to 0x00FFFF). Operation of the SFA register lock is as follows:

- The LNK instruction sets SFA (and creates a stack frame)
- The ULNK instruction clears SFA (and deletes the stack frame)
- The CALL, CALL . L, and RCALL instructions also stack the SFA bit (placing it in the LSb of the stacked PC), and clear the SFA bit after the stacking operation is complete. The called procedure is now free to either use W14 as a general purpose register, or create another stack frame using the LNK instruction.
- The RETURN, RETLW and RETFIE instructions all restore the SFA bit from its previously stacked value

The SFA bit is a read-only bit. It can only be set by execution of the LNK instruction, and cleared by the ULNK, CALL, CALL . L, and RCALL instructions.

**Note:** In dsPIC33E and PIC24E devices, the SFA bit is stacked instead of PC<0>.

## 4.8 CONDITIONAL BRANCH INSTRUCTIONS

Conditional branch instructions are used to direct program flow, based on the contents of the STATUS register. These instructions are generally used in conjunction with a Compare class instruction, but they may be employed effectively after any operation that modifies the STATUS register.

The compare instructions CP, CP0 and CPB, perform a subtract operation (minuend – subtrahend), but do not actually store the result of the subtraction. Instead, compare instructions just update the flags in the STATUS register, such that an ensuing conditional branch instruction may change program flow by testing the contents of the updated STATUS register. If the result of the STATUS register test is true, the branch is taken. If the result of the STATUS register test is false, the branch is not taken.

The conditional branch instructions supported by the dsPIC30F, dsPIC33F, and dsPIC33E devices are shown in Table 4-8. This table identifies the condition in the STATUS register which must be true for the branch to be taken. In some cases, just a single bit is tested (as in BRA C), while in other cases, a complex logic operation is performed (as in BRA GT). For dsPIC30F, dsPIC33F, and dsPIC33E devices, it is worth noting that both signed and unsigned conditional tests are supported, and that support is provided for DSP algorithms with the OA, OB, SA and SB condition mnemonics.

**Table 4-8: Conditional Branch Instructions**

Condition Mnemonic <sup>(1)</sup>	Description	Status Test
C	Carry (not Borrow)	C
GE	Signed greater than or equal	$(\overline{N\&\&OV}) \parallel (N\&\&OV)$
GEU <sup>(2)</sup>	Unsigned greater than or equal	C
GT	Signed greater than	$(\overline{Z\&\&N\&\&OV}) \parallel (\overline{Z\&\&N\&\&OV})$
GTU	Unsigned greater than	$C\&\&\overline{Z}$
LE	Signed less than or equal	$Z \parallel (\overline{N\&\&OV}) \parallel (N\&\&OV)$
LEU	Unsigned less than or equal	$\overline{C} \parallel Z$
LT	Signed less than	$(\overline{N\&\&OV}) \parallel (N\&\&OV)$
LTU <sup>(3)</sup>	Unsigned less than	C
N	Negative	N
NC	Not Carry (Borrow)	C
NN	Not Negative	N
NOV	Not Overflow	OV
NZ	Not Zero	Z
OA <sup>(4)</sup>	Accumulator A overflow	OA
OB <sup>(4)</sup>	Accumulator B overflow	OB
OV	Overflow	OV
SA <sup>(4)</sup>	Accumulator A saturate	SA
SB <sup>(4)</sup>	Accumulator B saturate	SB
Z	Zero	Z

**Note 1:** Instructions are of the form: BRA mnemonic, Expr.

**2:** GEU is identical to C and will reverse assemble to BRA C, Expr.

**3:** LTU is identical to NC and will reverse assemble to BRA NC, Expr.

**4:** This condition is only available in dsPIC30F, dsPIC33F, and dsPIC33E devices.

**Note:** The “Compare and Skip” instructions (CPBEQ, CPBGT, CPBLT, CPBNE, CPSEQ, CPSGT, CPSLT, and CPSNE) do not modify the STATUS register.

## 4.9 Z STATUS BIT

The Z Status bit is a special zero Status bit that is useful for extended precision arithmetic. The Z bit functions like a normal Z flag for all instructions, except those that use the Carry/Borrow input (ADDC, CPB, SUBB and SUBBR). For the ADDC, CPB, SUBB and SUBBR instructions, the Z bit can only be cleared and never set. If the result of one of these instructions is non-zero, the Z bit will be cleared and will remain cleared, regardless of the result of subsequent ADDC, CPB, SUBB or SUBBR operations. This allows the Z bit to be used for performing a simple zero check on the result of a series of extended precision operations.

A sequence of instructions working on multi-precision data (starting with an instruction with no Carry/Borrow input), will automatically logically AND the successive results of the zero test. All results must be zero for the Z flag to remain set at the end of the sequence of operations. If the result of the ADDC, CPB, SUBB or SUBBR instruction is non-zero, the Z bit will be cleared and remain cleared for all subsequent ADDC, CPB, SUBB or SUBBR instructions. [Example 4-15](#) shows how the Z bit operates for a 32-bit addition. It shows how the Z bit is affected for a 32-bit addition implemented with an ADD/ADDC instruction sequence. The first example generates a zero result for only the most significant word, and the second example generates a zero result for both the least significant word and most significant word.

### Example 4-15: 'Z' Status bit Operation for 32-bit Addition

```

; Add two doubles (W0:W1 and W2:W3)
; Store the result in W5:W4
ADD    W0, W2, W4    ; Add LSword and store to W4
ADDC   W1, W3, W5    ; Add MSword and store to W5
    
```

Before 32-bit Addition (zero result for the most significant word):

```

W0 = 0x2342
W1 = 0xFFFF0
W2 = 0x39AA
W3 = 0x0010
W4 = 0x0000
W5 = 0x0000
SR = 0x0000
    
```

After 32-bit Addition:

```

W0 = 0x2342
W1 = 0xFFFF0
W2 = 0x39AA
W3 = 0x0010
W4 = 0x5CEC
W5 = 0x0000
SR = 0x0201 (DC, C=1)
    
```

Before 32-bit Addition (zero result for the least significant word and most significant word):

```

W0 = 0xB76E
W1 = 0xFB7B
W2 = 0x4892
W3 = 0x0484
W4 = 0x0000
W5 = 0x0000
SR = 0x0000
    
```

After 32-bit Addition:

```

W0 = 0xB76E
W1 = 0xFB7B
W2 = 0x4892
W3 = 0x0485
W4 = 0x0000
W5 = 0x0000
SR = 0x0103 (DC, Z, C=1)
    
```

## 4.10 ASSIGNED WORKING REGISTER USAGE

The 16 working registers of the 16-bit MCU and DSC devices provide a large register set for efficient code generation and algorithm implementation. In an effort to maintain an instruction set that provides advanced capability, a stable run-time environment and backwards compatibility with earlier Microchip processor cores, some working registers have a preassigned usage. [Table 4-9](#) summarizes these working register assignments. For the dsPIC30F, dsPIC33F, and dsPIC33E, additional details are provided in subsections [Section 4.10.1 “Implied DSP Operands \(dsPIC30F, dsPIC33F and dsPIC33E Devices\)”](#) through [Section 4.10.3 “PIC® Microcontroller Compatibility”](#).

**Table 4-9: Special Working Register Assignments**

Register	Special Assignment
W0	Default WREG, Divide Quotient
W1	Divide Remainder
W2	“MUL f” Product least significant word
W3	“MUL f” Product most significant word
W4	MAC Operand <sup>(1)</sup>
W5	MAC Operand <sup>(1)</sup>
W6	MAC Operand <sup>(1)</sup>
W7	MAC Operand <sup>(1)</sup>
W8	MAC Prefetch Address (X Memory) <sup>(1)</sup>
W9	MAC Prefetch Address (X Memory) <sup>(1)</sup>
W10	MAC Prefetch Address (Y Memory) <sup>(1)</sup>
W11	MAC Prefetch Address (Y Memory) <sup>(1)</sup>
W12	MAC Prefetch Offset <sup>(1)</sup>
W13	MAC Write Back Destination <sup>(1)</sup>
W14	Frame Pointer
W15	Stack Pointer

**Note 1:** This assignment is only applicable in dsPIC30F, dsPIC33F, and dsPIC33E devices.

### 4.10.1 Implied DSP Operands (dsPIC30F, dsPIC33F and dsPIC33E Devices)

To assist instruction encoding and maintain uniformity among the DSP class of instructions, some working registers have pre-assigned functionality. For all DSP instructions which have prefetch ability, the following 10 register assignments must be adhered to:

- W4-W7 are used for arithmetic operands
- W8-W11 are used for prefetch addresses (pointers)
- W12 is used for the prefetch register offset index
- W13 is used for the accumulator Write Back destination

These restrictions only apply to the DSP MAC class of instructions, which utilize working registers and have prefetch ability (described in [Section 4.15 “DSP Accumulator Instructions \(dsPIC30F, dsPIC33F and dsPIC33E Devices\)”](#)). These instructions are CLR, ED, EDAC, MAC, MOV SAC, MPY, MPY . N and MSC.

In dsPIC33E devices, mixed-sign DSP multiplication operations are supported without the need to dynamically modify the US<1:0> bits. In this mode (US<1:0> = ‘10’), each input operand is treated as unsigned or signed based on which register is being used for that operand. W4 and W6 are always unsigned operand, whereas W5 and W7 are always signed operands. This feature can be used to efficiently execute extended-precision DSP multiplications.

The DSP Accumulator class of instructions (described in [Section 4.15 “DSP Accumulator Instructions \(dsPIC30F, dsPIC33F and dsPIC33E Devices\)”](#)) are not required to follow the working register assignments in [Table 4-9](#) and may freely use any working register when required.

## 4.10.2 Implied Frame and Stack Pointer

To accommodate software stack usage, W14 is the implied Frame Pointer (used by the LNK and ULNK instructions) and W15 is the implied Stack Pointer (used by the CALL, LNK, POP, PUSH, RCALL, RETFIE, RETLW, RETURN, TRAP and ULNK instructions). Even though W14 and W15 have this implied usage, they may still be used as generic operands in any instruction, with the exceptions outlined in [Section 4.10.1 “Implied DSP Operands \(dsPIC30F, dsPIC33F and dsPIC33E Devices\)”](#). If W14 and W15 must be used for other purposes (it is strongly advised that they remain reserved for the Frame and Stack Pointer), extreme care must be taken such that the run-time environment is not corrupted.

## 4.10.3 PIC<sup>®</sup> Microcontroller Compatibility

### 4.10.3.1 DEFAULT WORKING REGISTER WREG

To ease the migration path for users of the Microchip 8-bit PIC MCU families, the 16-bit MCU and DSC devices have matched the functionality of the PIC MCU instruction sets as closely as possible. One major difference between the 16-bit MCU and DSC and the 8-bit PIC MCU processors is the number of working registers provided. The 8-bit PIC MCU families only provide one 8-bit working register, while the 16-bit MCU and DSC families provide sixteen, 16-bit working registers. To accommodate for the one working register of the 8-bit PIC MCU, the 16-bit MCU and DSC device instruction set has designated one working register to be the default working register for all legacy file register instructions. The default working register is set to W0, and it is used by all instructions which use file register addressing.

Additionally, the syntax used by the 16-bit MCU and DSC device assembler to specify the default working register is similar to that used by the 8-bit PIC MCU assembler. As shown in the detailed instruction descriptions in [Section 5. “Instruction Descriptions”](#), “WREG” must be used to specify the default working register. [Example 4-16](#) shows several instructions that use WREG.

#### Example 4-16: Using the Default Working Register WREG

ADD	RAM100	; add RAM100 and WREG, store in RAM100
ASR	RAM100, WREG	; shift RAM100 right, store in WREG
CLR.B	WREG	; clear the WREG LS Byte
DEC	RAM100, WREG	; decrement RAM100, store in WREG
MOV	WREG, RAM100	; move WREG to RAM100
SETM	WREG	; set all bits in the WREG
XOR	RAM100	; XOR RAM100 and WREG, store in RAM100

### 4.10.3.2 PRODH:PRODL REGISTER PAIR

Another significant difference between the Microchip 8-bit PIC MCU and 16-bit MCU and DSC architectures is the multiplier. Some PIC MCU families support an 8-bit x 8-bit multiplier, which places the multiply product in the PRODH:PRODL register pair. The 16-bit MCU and DSC devices have a 17-bit x 17-bit multiplier, which may place the result into any two successive working registers (starting with an even register), or an accumulator.

Despite this architectural difference, the 16-bit MCU and DSC devices still support the legacy file register multiply instruction (MULWF) with the “MUL{.B} f” instruction (described on page [303](#)). Supporting the legacy MULWF instruction has been accomplished by mapping the PRODH:PRODL registers to the working register pair W3:W2. This means that when “MUL{.B} f” is executed in Word mode, the multiply generates a 32-bit product which is stored in W3:W2, where W3 has the most significant word of the product and W2 has the least significant word of the product. When “MUL{.B} f” is executed in Byte mode, the 16-bit product is stored in W2, and W3 is unaffected. Examples of this instruction are shown in [Example 4-17](#).

## Example 4-17: Unsigned f and WREG Multiply (Legacy MULWF Instruction)

<pre>MUL.B 0x100 ; (0x100)*WREG (byte mode), store to W2</pre>
Before Instruction: W0 (WREG) = 0x7705 W2 = 0x1235 W3 = 0x1000 Data Memory 0x0100 = 0x1255
After Instruction: W0 (WREG) = 0x7705 W2 = 0x01A9 W3 = 0x1000 Data Memory 0x0100 = 0x1255
<pre>MUL 0x100 ; (0x100)*WREG (word mode), store to W3:W2</pre>
Before Instruction: W0 (WREG) = 0x7705 W2 = 0x1235 W3 = 0x1000 Data Memory 0x0100 = 0x1255
After Instruction: W0 (WREG) = 0x7705 W2 = 0xDEA9 W3 = 0x0885 Data Memory 0x0100 = 0x1255

### 4.10.3.3 MOVING DATA WITH WREG

The “MOV{.B} f {,WREG}” instruction (described on [page 279](#)) and “MOV{.B} WREG, f” instruction (described on [page 280](#)) allow for byte or word data to be moved between file register memory and the WREG (working register W0). These instructions provide equivalent functionality to the legacy Microchip PIC MCU MOVF and MOVWF instructions.

The “MOV{.B} f {,WREG}” and “MOV{.B} WREG, f” instructions are the only MOV instructions which support moves of byte data to and from file register memory. [Example 4-18](#) shows several MOV instruction examples using the WREG.

**Note:** When moving word data between file register memory and the working register array, the “MOV Wns, f” and “MOV f, Wnd” instructions allow any working register (W0:W15) to be used as the source or destination register, not just WREG.

### Example 4-18: Moving Data with WREG

<pre>MOV.B 0x1001, WREG ; move the byte stored at location 0x1001 to W0</pre>
<pre>MOV 0x1000, WREG ; move the word stored at location 0x1000 to W0</pre>
<pre>MOV.B WREG, TBLPAG ; move the byte stored at W0 to the TBLPAG register</pre>
<pre>MOV WREG, 0x804 ; move the word stored at W0 to location 0x804</pre>



## 4.11 DSP DATA FORMATS (dsPIC30F, dsPIC33F AND dsPIC33E DEVICES)

### 4.11.1 Integer and Fractional Data

The dsPIC30F, dsPIC33F, and dsPIC33E devices support both integer and fractional data types. Integer data is inherently represented as a signed two's complement value, where the Most Significant bit is defined as a sign bit. Generally speaking, the range of an N-bit two's complement integer is  $-2^{N-1}$  to  $2^{N-1} - 1$ . For a 16-bit integer, the data range is -32768 (0x8000) to 32767 (0x7FFF), including '0'. For a 32-bit integer, the data range is -2,147,483,648 (0x8000 0000) to 2,147,483,647 (0x7FFF FFFF).

Fractional data is represented as a two's complement number, where the Most Significant bit is defined as a sign bit, and the radix point is implied to lie just after the sign bit. This format is commonly referred to as 1.15 (or Q15) format, where 1 is the number of bits used to represent the integer portion of the number, and 15 is the number of bits used to represent the fractional portion. The range of an N-bit two's complement fraction with this implied radix point is  $-1.0$  to  $(1 - 2^{1-N})$ . For a 16-bit fraction, the 1.15 data range is -1.0 (0x8000) to 0.999969482 (0x7FFF), including 0.0 and it has a precision of  $3.05176 \times 10^{-5}$ . In Normal Saturation mode, the 32-bit accumulators use a 1.31 format, which enhances the precision to  $4.6566 \times 10^{-10}$ .

The dynamic range of the accumulators can be expanded by using the 8 bits of the Upper Accumulator register (ACCxU) as guard bits. Guard bits are used if the value stored in the accumulator overflows beyond the 32<sup>nd</sup> bit, and they are useful for implementing DSP algorithms. This mode is enabled when the ACCSAT bit (CORCON<4>) is set to '1' and it expands the accumulators to 40 bits. The guard bits are also used when the accumulator saturation is disabled. The accumulators then support an integer range of  $-5.498 \times 10^{11}$  (0x80 0000 0000) to  $5.498 \times 10^{11}$  (0x7F FFFF FFFF). In Fractional mode, the guard bits of the accumulator do not modify the location of the radix point and the 40-bit accumulators use a 9.31 fractional format. Note that all fractional operation results are stored in the 40-bit Accumulator, justified with a 1.31 radix point. As in Integer mode, the guard bits merely increase the dynamic range of the accumulator. 9.31 fractions have a range of  $-256.0$  (0x80 0000 0000) to  $(256.0 - 4.65661 \times 10^{-10})$  (0x7F FFFF FFFF). [Table 4-10](#) identifies the range and precision of integers and fractions on the dsPIC30F/33F/33E devices for 16-bit, 32-bit and 40-bit registers.

It should be noted that, with the exception of DSP multiplies, the ALU operates identically on integer and fractional data. Namely, an addition of two integers will yield the same result (binary number) as the addition of two fractional numbers. The only difference is how the result is interpreted by the user. However, multiplies performed by DSP operations are different. In these instructions, data format selection is made by the IF bit (CORCON<0>), and it must be set accordingly ('0' for Fractional mode, '1' for Integer mode). This is required because of the implied radix point used by dsPIC30F/33F/33E fractional numbers. In Integer mode, multiplying two 16-bit integers produces a 32-bit integer result. However, multiplying two 1.15 values generates a 2.30 result. Since the dsPIC30F, dsPIC33F, and dsPIC33E devices use a 1.31 format for the accumulators, a DSP multiply in Fractional mode also includes a left shift of one bit to keep the radix point properly aligned. This feature reduces the resolution of the DSP multiplier to  $2^{-30}$ , but has no other effect on the computation (e.g.,  $0.5 \times 0.5 = 0.25$ ).

**Table 4-10: dsPIC30F/33F/33E Data Ranges**

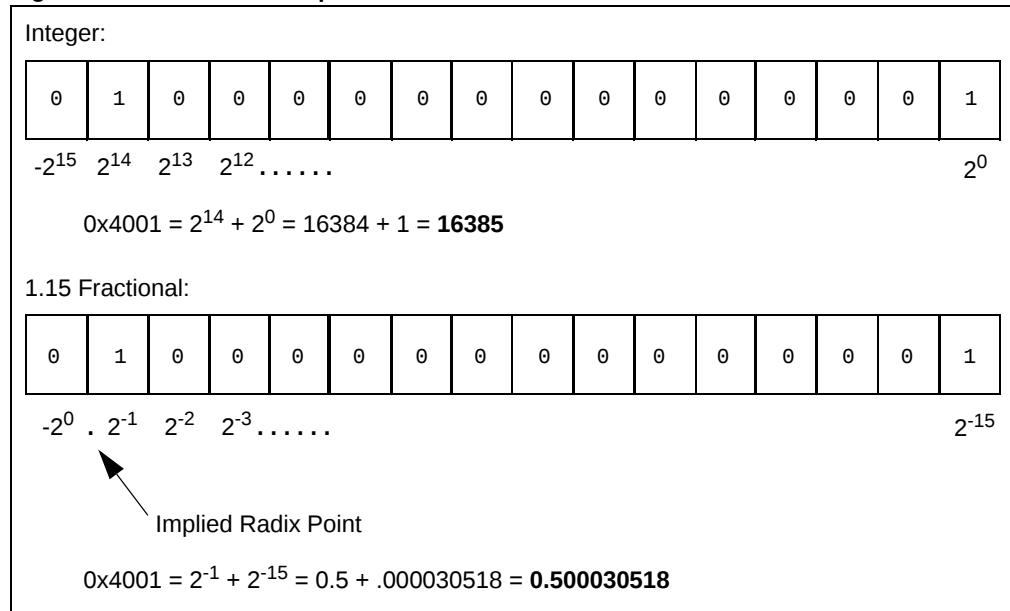
Register Size	Integer Range	Fraction Range	Fraction Resolution
16-bit	-32768 to 32767	-1.0 to $(1.0 - 2^{-15})$	$3.052 \times 10^{-5}$
32-bit	-2,147,483,648 to 2,147,483,647	-1.0 to $(1.0 - 2^{-31})$	$4.657 \times 10^{-10}$
40-bit	-549,755,813,888 to 549,755,813,887	-256.0 to $(256.0 - 2^{-31})$	$4.657 \times 10^{-10}$

## 4.11.2 Integer and Fractional Data Representation

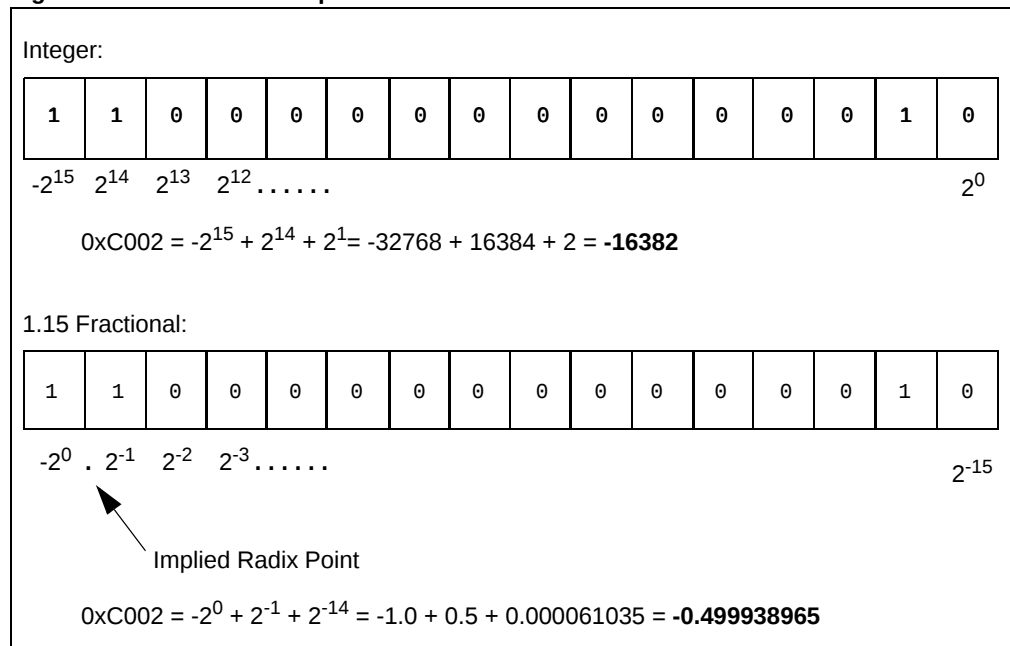
Having a working knowledge of how integer and fractional data are represented on the dsPIC30F, dsPIC33F, and dsPIC33E is fundamental to working with the device. Both integer and fractional data treat the Most Significant bit as a sign bit, and the binary exponent decreases by one as the bit position advances toward the Least Significant bit. The binary exponent for an N-bit integer starts at (N-1) for the Most Significant bit, and ends at '0' for the Least Significant bit. For an N-bit fraction, the binary exponent starts at '0' for the Most Significant bit, and ends at (1-N) for the Least Significant bit (as shown in Figure 4-12 for a positive value and in Figure 4-13 for a negative value).

Conversion between integer and fractional representations can be performed using simple division and multiplication. To go from an N-bit integer to a fraction, divide the integer value by  $2^{N-1}$ . Similarly, to convert an N-bit fraction to an integer, multiply the fractional value by  $2^{N-1}$ .

**Figure 4-12: Different Representations of 0x4001**



**Figure 4-13: Different Representations of 0xC002**



## 4.12 ACCUMULATOR USAGE (dsPIC30F, dsPIC33F AND dsPIC33E DEVICES)

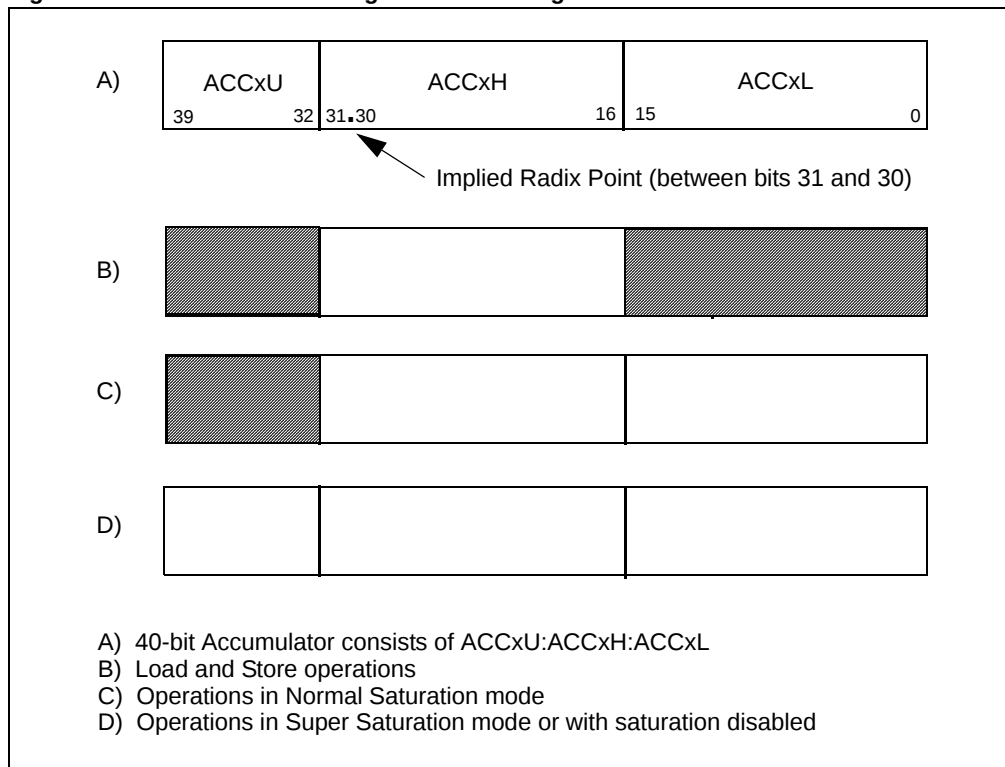
Accumulators A and B are utilized by DSP instructions to perform mathematical and shifting operations. Since the accumulators are 40 bits wide and the X and Y data paths are only 16 bits, the method to load and store the accumulators must be understood.

Item A in Figure 4-14 shows that each 40-bit Accumulator (ACCA and ACCB) consists of an 8-bit Upper register (ACCxU), a 16-bit High register (ACCxH) and a 16-bit Low register (ACCxL). To address the bus alignment requirement and provide the ability for 1.31 math, ACCxH is used as a destination register for loading the accumulator (with the LAC instruction), and also as a source register for storing the accumulator (with the SAC.R instruction). This is represented by Item B, Figure 4-14, where the upper and lower portions of the accumulator are shaded. In reality, during accumulator loads, ACCxL is zero backfilled and ACCxU is sign-extended to represent the sign of the value loaded in ACCxH.

When Normal (31-bit) Saturation is enabled, DSP operations (such as ADD, MAC, MSC, etc.) utilize solely ACCxH:ACCxL (Item C in Figure 4-14) and ACCxU is only used to maintain the sign of the value stored in ACCxH:ACCxL. For instance, when a MPY instruction is executed, the result is stored in ACCxH:ACCxL, and the sign of the result is extended through ACCxU.

When Super Saturation is enabled, or when saturation is disabled, all registers of the accumulator may be used (Item D in Figure 4-14) and the results of DSP operations are stored in ACCxU:ACCxH:ACCxL. The benefit of ACCxU is that it increases the dynamic range of the accumulator, as described in Section 4.11.1 "Integer and Fractional Data". Refer to Table 4-10 to see the range of values which may be stored in the accumulator when in Normal and Super Saturation modes.

**Figure 4-14: Accumulator Alignment and Usage**



## 4.13 ACCUMULATOR ACCESS (dsPIC30F, dsPIC33F AND dsPIC33E DEVICES)

The six registers of Accumulator A and Accumulator B are memory mapped like any other Special Function Register. This feature allows them to be accessed with file register or indirect addressing, using any instruction which supports such addressing. However, it is recommended that the DSP instructions LAC, SAC and SAC.R be used to load and store the accumulators, since they provide sign-extension, shifting and rounding capabilities. LAC, SAC and SAC.R instruction details are provided in [Section 5. "Instruction Descriptions"](#).

- Note 1:** For convenience, ACCAU and ACCBU are sign-extended to 16 bits. This provides the flexibility to access these registers using either Byte or Word mode (when file register or indirect addressing is used).
- 2:** The OA, OB, SA or SB bit cannot be set by writing overflowed values to the memory mapped accumulators using MOV instructions, as these status bits are only affected by DSP operations.

## 4.14 DSP MAC INSTRUCTIONS (dsPIC30F, dsPIC33F AND dsPIC33E DEVICES)

The DSP Multiply and Accumulate (MAC) operations are a special suite of instructions which provide the most efficient use of the dsPIC30F, dsPIC33F, and dsPIC33E architectures. The DSP MAC instructions, shown in [Table 4-11](#), utilize both the X and Y data paths of the CPU core, which enables these instructions to perform the following operations all in one cycle:

- two reads from data memory using prefetch working registers (MAC Prefetches)
- two updates to prefetch working registers (MAC Prefetch Register Updates)
- one mathematical operation with an accumulator (MAC Operations)

In addition, four of the ten DSP MAC instructions are also capable of performing an operation with one accumulator, while storing out the rounded contents of the alternate accumulator. This feature is called accumulator Write Back (WB) and it provides flexibility for the software developer. For instance, the accumulator WB may be used to run two algorithms concurrently, or efficiently process complex numbers, among other things.

**Table 4-11: DSP MAC Instructions**

Instruction	Description	Accumulator WB?
CLR	Clear accumulator	Yes
ED	Euclidean distance (no accumulate)	No
EDAC	Euclidean distance	No
MAC	Multiply and accumulate	Yes
MAC	Square and accumulate	No
MOVSAC	Move from X and Y bus	Yes
MPY	Multiply to accumulator	No
MPY	Square to accumulator	No
MPY.N	Negative multiply to accumulator	No
MSC	Multiply and subtract	Yes

### 4.14.1 MAC Prefetches

Prefetches (or data reads) are made using the effective address stored in the working register. The two prefetches from data memory must be specified using the working register assignments shown in [Table 4-9](#). One read must occur from the X data bus using W8 or W9, and one read must occur from the Y data bus using W10 or W11. The allowed destination registers for both prefetches are W4-W7.

As shown in [Table 4-3](#), one special Addressing mode exists for the MAC class of instructions. This mode is the Register Offset Addressing mode and utilizes W12. In this mode, the prefetch is made using the effective address of the specified working register, plus the 16-bit signed value stored in W12. Register Offset Addressing may only be used in the X space with W9, and in the Y-space with W11.

## 4.14.2 MAC Prefetch Register Updates

After the MAC prefetches are made, the effective address stored in each prefetch working register may be modified. This feature enables efficient single-cycle processing for data stored sequentially in X and Y memory. Since all DSP instructions execute in Word mode, only even numbered updates may be made to the effective address stored in the working register. Allowable address modifications to each prefetch register are -6, -4, -2, 0 (no update), +2, +4 and +6. This means that effective address updates may be made up to 3 words in either direction.

When the Register Offset Addressing mode is used, no update is made to the base prefetch register (W9 or W11), or the offset register (W12).

## 4.14.3 MAC Operations

The mathematical operations performed by the MAC class of DSP instructions center around multiplying the contents of two working registers and either adding or storing the result to either Accumulator A or Accumulator B. This is the operation of the MAC, MPY, MPY.N and MSC instructions. Table 4-9 shows that W4-W7 must be used for data source operands in the MAC class of instructions. W4-W7 may be combined in any fashion, and when the same working register is specified for both operands, a square or square and accumulate operation is performed.

For the ED and EDAC instructions, the same multiplicand operand must be specified by the instruction, because this is the definition of the Euclidean Distance operation. Another unique feature about this instruction is that the values prefetched from X and Y memory are not actually stored in W4-W7. Instead, only the difference of the prefetched data words is stored in W4-W7.

The two remaining MAC class instructions, CLR and MOVSAAC, are useful for initiating or completing a series of MAC or EDAC instructions and do not use the multiplier. CLR has the ability to clear Accumulator A or B, prefetch two values from data memory and store the contents of the other accumulator. Similarly, MOVSAAC has the ability to prefetch two values from data memory and store the contents of either accumulator.

## 4.14.4 MAC Write Back

The write back ability of the MAC class of DSP instructions facilitates efficient processing of algorithms. This feature allows one mathematical operation to be performed with one accumulator, and the rounded contents of the other accumulator to be stored in the same cycle. As indicated in Table 4-9, register W13 is assigned for performing the write back, and two Addressing modes are supported: Direct and Indirect with Post-Increment.

The CLR, MOVSAAC and MSC instructions support accumulator Write Back, while the ED, EDAC, MPY and MPY.N instructions do not support accumulator Write Back. The MAC instruction, which multiplies two working registers which are not the same, also supports accumulator Write Back. However, the square and accumulate MAC instruction does not support accumulator Write Back (see Table 4-11).

## 4.14.5 MAC Syntax

The syntax of the MAC class of instructions can have several formats, which depend on the instruction type and the operation it is performing, with respect to prefetches and accumulator Write Back. With the exception of the CLR and MOVSAAC instructions, all MAC class instructions must specify a target accumulator along with two multiplicands, as shown in Example 4-19.

### Example 4-19: Base MAC Syntax

```

; MAC with no prefetch
MAC W4*W5, A

; MAC with no prefetch
MAC W7*W7, B

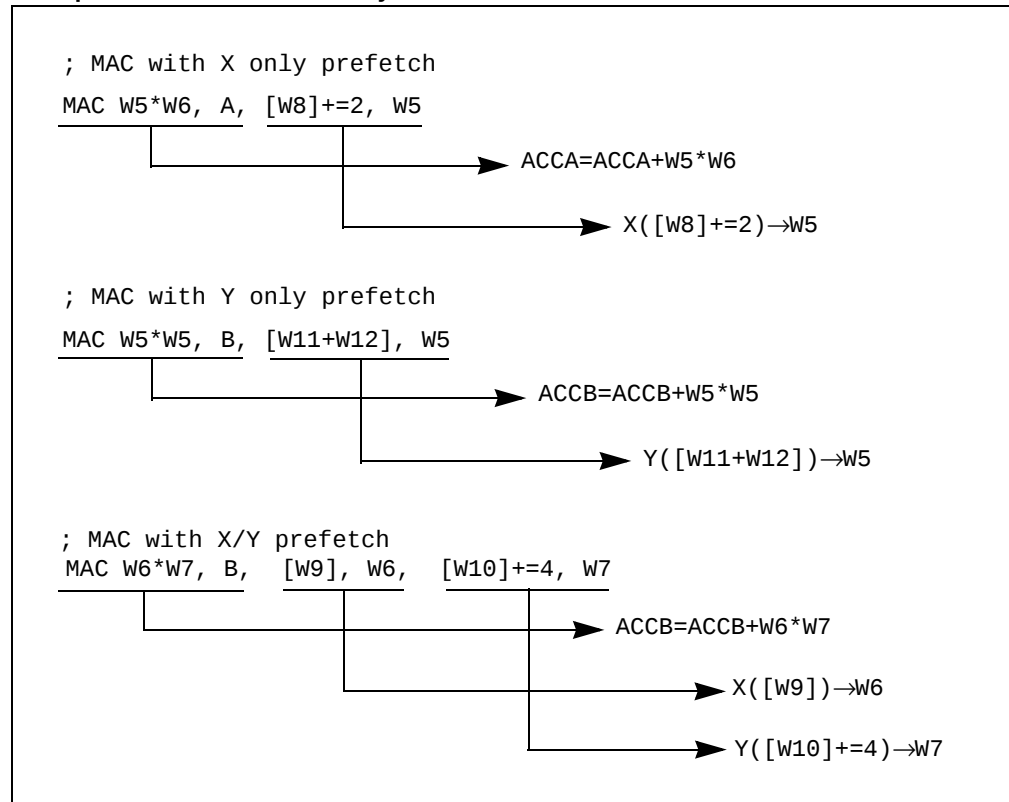
```

→ Multiply W7\*W7, Accumulate to ACCB

# 16-bit MCU and DSC Programmer's Reference Manual

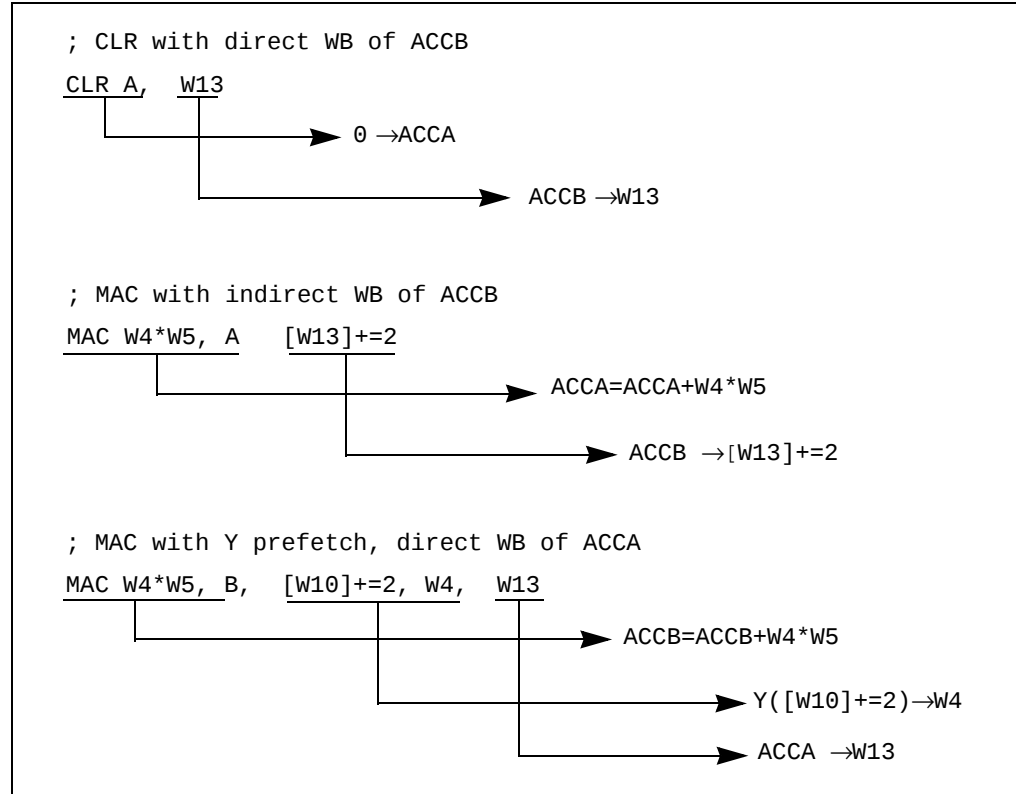
If a prefetch is used in the instruction, the assembler is capable of discriminating between the X or Y data prefetch based on the register used for the effective address. [W8] or [W9] specifies the X prefetch and [W10] or [W11] specifies the Y prefetch. Brackets around the working register are required in the syntax, and they designate that indirect addressing is used to perform the prefetch. When address modification is used, it must be specified using a minus-equals or plus-equals "C"-like syntax (i.e., "[W8] - = 2" or "[W8] + = 6"). When Register Offset Addressing is used for the prefetch, W12 is placed inside the brackets ([W9 + W12] for X prefetches and [W11 + W12] for Y prefetches). Each prefetch operation must also specify a prefetch destination register (W4-W7). In the instruction syntax, the destination register appears before the prefetch register. Legal forms of prefetch are shown in [Example 4-20](#).

## Example 4-20: MAC Prefetch Syntax



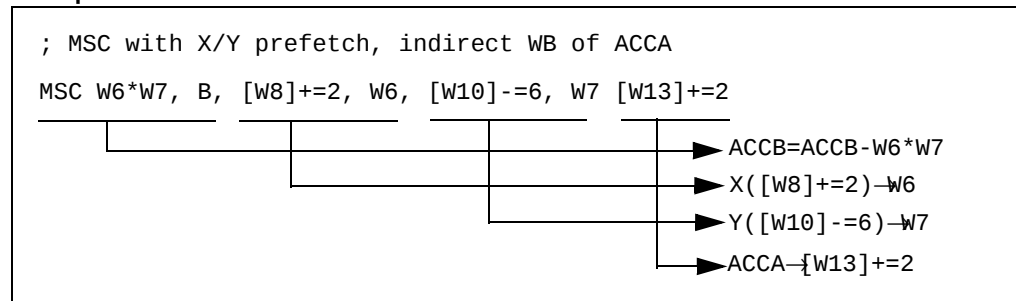
If an accumulator Write Back is used in the instruction, it is specified last. The Write Back must use the W13 register, and allowable forms for the Write Back are "W13" for direct addressing and "[W13] + = 2" for indirect addressing with post-increment. By definition, the accumulator not used in the mathematical operation is stored, so the Write Back accumulator is not specified in the instruction. Legal forms of accumulator Write Back (WB) are shown in [Example 4-21](#).

**Example 4-21: MAC Accumulator WB Syntax**



Putting it all together, an MSC instruction which performs two prefetches and a write back is shown in [Example 4-22](#).

**Example 4-22: MSC Instruction with Two Prefetches and Accumulator Write Back**



## 4.15 DSP ACCUMULATOR INSTRUCTIONS (dsPIC30F, dsPIC33F AND dsPIC33E DEVICES)

The DSP Accumulator instructions do not have prefetch or accumulator WB ability, but they do provide the ability to add, negate, shift, load and store the contents of either 40-bit Accumulator. In addition, the ADD and SUB instructions allow the two accumulators to be added or subtracted from each other. DSP Accumulator instructions are shown in [Table 4-12](#) and instruction details are provided in [Section 5. "Instruction Descriptions"](#).

**Table 4-12: DSP Accumulator Instructions**

Instruction	Description	Accumulator WB?
ADD	Add accumulators	No
ADD	16-bit signed accumulator add	No
LAC	Load accumulator	No
NEG	Negate accumulator	No
SAC	Store accumulator	No
SAC . R	Store rounded accumulator	No
SFTAC	Arithmetic shift accumulator by Literal	No
SFTAC	Arithmetic shift accumulator by (Wn)	No
SUB	Subtract accumulators	No

## 4.16 SCALING DATA WITH THE FBCL INSTRUCTION (dsPIC30F, dsPIC33F AND dsPIC33E DEVICES)

To minimize quantization errors that are associated with data processing using DSP instructions, it is important to utilize the complete numerical result of the operations. This may require scaling data up to avoid underflow (i.e., when processing data from a 12-bit ADC), or scaling data down to avoid overflow (i.e., when sending data to a 10-bit DAC). The scaling, which must be performed to minimize quantization error, depends on the dynamic range of the input data which is operated on, and the required dynamic range of the output data. At times, these conditions may be known beforehand and fixed scaling may be employed. In other cases, scaling conditions may not be fixed or known, and then dynamic scaling must be used to process data.

The FBCL instruction (Find First Bit Change Left) can efficiently be used to perform dynamic scaling, because it determines the exponent of a value. A fixed point or integer value's exponent represents the amount which the value may be shifted before overflowing. This information is valuable, because it may be used to bring the data value to "full scale", meaning that its numeric representation utilizes all the bits of the register it is stored in.

The FBCL instruction determines the exponent of a word by detecting the first bit change starting from the value's sign bit and working towards the LSB. Since the dsPIC DSC device's barrel shifter uses negative values to specify a left shift, the FBCL instruction returns the negated exponent of a value. If the value is being scaled up, this allows the ensuing shift to be performed immediately with the value returned by FBCL. Additionally, since the FBCL instruction only operates on signed quantities, FBCL produces results in the range of -15:0. When the FBCL instruction returns '0', it indicates that the value is already at full scale. When the instruction returns -15, it indicates that the value cannot be scaled (as is the case with 0x0 and 0xFFFF). [Table 4-13](#) shows word data with various dynamic ranges, their exponents, and the value after scaling each data to maximize the dynamic range. [Example 4-23](#) shows how the FBCL instruction may be used for block processing.



**Table 4-13: Scaling Examples**

Word Value	Exponent	Full Scale Value (Word Value << Exponent)
0x0001	14	0x4000
0x0002	13	0x4000
0x0004	12	0x4000
0x0100	6	0x4000
0x01FF	6	0x7FC0
0x0806	3	0x4030
0x2007	1	0x400E
0x4800	0	0x4800
0x7000	0	0x7000
0x8000	0	0x8000
0x900A	0	0x900A
0xE001	2	0x8004
0xFF07	7	0x8380

**Note:** For the word values 0x0000 and 0xFFFF, the FBCL instruction returns -15.

As a practical example, assume that block processing is performed on a sequence of data with very low dynamic range stored in 1.15 fractional format. To minimize quantization errors, the data may be scaled up to prevent any quantization loss which may occur as it is processed. The FBCL instruction can be executed on the sample with the largest magnitude to determine the optimal scaling value for processing the data. Note that scaling the data up is performed by left shifting the data. This is demonstrated with the code snippet below.

**Example 4-23: Scaling with FBCL**

```

; assume W0 contains the largest absolute value of the data block
; assume W4 points to the beginning of the data block
; assume the block of data contains BLOCK_SIZE words

; determine the exponent to use for scaling
FBCL  W0, W2          ; store exponent in W2

; scale the entire data block before processing
DO    #(BLOCK_SIZE-1), SCALE
LAC   [W4], A        ; move the next data sample to ACCA
SFTAC A, W2          ; shift ACCA by W2 bits
SCALE:
SAC   A, [W4++]      ; store scaled input (overwrite original)

; now process the data
; (processing block goes here)

```

## 4.17 NORMALIZING THE ACCUMULATOR WITH THE FBCL INSTRUCTION (dsPIC30F, dsPIC33F AND dsPIC33E DEVICES)

The process of scaling a quantized value for its maximum dynamic range is known as normalization (the data in the third column in [Table 4-13](#) contains normalized data). Accumulator normalization is a technique used to ensure that the accumulator is properly aligned before storing data from the accumulator, and the FBCL instruction facilitates this function.

The two 40-bit accumulators each have 8 guard bits from the ACCxU register, which expands the dynamic range of the accumulators from 1.31 to 9.31, when operating in Super Saturation mode (see [Section 4.11.1 "Integer and Fractional Data"](#)). However, even in Super Saturation mode, the Store Rounded Accumulator (SAC . R) instruction only stores 16-bit data (in 1.15 format) from ACCxH, as described in [Section 4.12 "Accumulator Usage \(dsPIC30F, dsPIC33F and dsPIC33E Devices\)"](#). Under certain conditions, this may pose a problem.

Proper data alignment for storing the contents of the accumulator may be achieved by scaling the accumulator down if ACCxU is in use, or scaling the accumulator up if all of the ACCxH bits are not being used. To perform such scaling, the FBCL instruction must operate on the ACCxU byte and it must operate on the ACCxH word. If a shift is required, the ALU's 40-bit shifter is employed, using the SFTAC instruction to perform the scaling. [Example 4-24](#) contains a code snippet for accumulator normalization.

### Example 4-24: Normalizing with FBCL

```
; assume an operation in ACCA has just completed (SR intact)
; assume the processor is in super saturation mode
; assume ACCAH is defined to be the address of ACCAH (0x24)

    MOV    #ACCAH, W5        ; W5 points to ACCAH
    BRA    0A, FBCL_GUARD   ; if overflow we right shift
FBCL_HI:
    FBCL   [W5], W0         ; extract exponent for left shift
    BRA    SHIFT_ACC       ; branch to the shift
FBCL_GUARD:
    FBCL   [++W5], W0       ; extract exponent for right shift
    ADD.B W0, #15, W0      ; adjust the sign for right shift
SHIFT_ACC:
    SFTAC  A, W0           ; shift ACCA to normalize
```

## 4.18 EXTENDED-PRECISION ARITHMETIC USING MIXED-SIGN MULTIPLICATIONS (dsPIC33E ONLY)

Many DSP algorithms utilize extended-precision arithmetic operations (operations with 32-bit or 64-bit operands and results) to enhance the resolution and accuracy of computations. These can be implemented using 16-bit signed or unsigned multiplications; however, this would require some additional processing and shifting of the data to obtain the correct results. To enable such extended-precision algorithms to be computed faster, dsPIC33E devices support an optional implicit mixed-sign multiplication mode, which is selected by setting US<1:0> (CORCON<13:12>) = '10'.

In this mode, mixed-sign (unsigned x signed and signed x unsigned) multiplications can be performed without the need to dynamically reconfigure the US<1:0> bits and shift data to account for the difference in operand formats. Moreover, signed x signed and unsigned x unsigned multiplications can also be performed without changing the multiplication mode. Each input operand is implicitly treated as an unsigned number if the working register being used to specify the operand is either W4 or W6. Similarly, an operand is treated as a signed number if the register used is either W5 or W7. The DSP Engine selects the type of multiplication to be performed based on the operand registers used, thereby eliminating the need for the user software to modify the US<1:0> bits.

The execution time reductions provided by the implicit mixed-sign multiplication feature is illustrated in the following code example, where the instruction cycle count for performing a 32-bit multiplication is reduced from 7 cycles to 4 cycles when the mixed-sign multiplication mode is enabled.

### Example 4-25: 32-bit Signed Multiplication using Implicit Mixed-Sign Mode

#### Case A - Mixed-Sign Multiplication Mode Not Enabled

```
MUL.SU W5, W6, W0; Word1 (signed) x Word2 (unsigned)
MUL.US W4, W7, W2; Word0 (unsigned) x Word3 (signed)
CLR    B           ; Clear Accumulator B
ADD    W1, B
ADD    W3, B
SFTAC B, #15      ; Shift right by 15 bits to align for Q31 format
MAC    W5*W7, B; Word1 (signed) x Word 3 (signed)
```

#### Case B - Mixed-Sign Multiplication Mode Enabled

```
MPY    W5*W6, B; Word1 (signed) x Word2 (unsigned)
MAC    W4*W7, B; Word0 (unsigned) x Word3 (signed)
SFTAC B, #15      ; Shift right by 15 bits to align for Q31 format
MAC    W5*W7, B; Word1 (signed) x Word 3 (signed)
```

Besides DSP instructions, MCU multiplication (MUL) instructions can also utilize Accumulator A or Accumulator B as a result destination, which enables faster extended-precision arithmetic even when not using DSP multiplication instructions such as MPY or MAC.





---

---

## Section 5. Instruction Descriptions

---

---

### HIGHLIGHTS

This section of the manual contains the following major topics:

5.1	Instruction Symbols.....	94
5.2	Instruction Encoding Field Descriptors Introduction.....	94
5.3	Instruction Description Example .....	98
5.4	Instruction Descriptions.....	99

# 16-bit MCU and DSC Programmer's Reference Manual

## 5.1 INSTRUCTION SYMBOLS

All the symbols used in [Section 5.4 "Instruction Descriptions"](#) are listed in [Table 1-2](#).

## 5.2 INSTRUCTION ENCODING FIELD DESCRIPTORS INTRODUCTION

All instruction encoding field descriptors used in [Section 5.4 "Instruction Descriptions"](#) are shown in [Table 5-2](#) through [Table 5-12](#).

**Table 5-1: Instruction Encoding Field Descriptors**

Field	Description
A <sup>(1)</sup>	Accumulator selection bit: 0 = ACCA; 1 = CCB
aa <sup>(1)</sup>	Accumulator Write Back mode (see <a href="#">Table 5-12</a> )
B	Byte mode selection bit: 0 = word operation; 1 = byte operation
bbbb	4-bit bit position select: 0000 = LSB; 1111 = MSB
D	Destination address bit: 0 = result stored in WREG; 1 = result stored in file register
dddd	Wd destination register select: 0000 = W0; 1111 = W15
f ffff ffff ffff	13-bit register file address (0x0000 to 0x1FFF)
fff ffff ffff ffff	15-bit register file word address (implied 0 LSB) (0x0000 to 0xFFFE)
ffff ffff ffff ffff	16-bit register file byte address (0x0000 to 0xFFFF)
ggg	Register Offset Addressing mode for Ws source register (see <a href="#">Table 5-4</a> )
hhh	Register Offset Addressing mode for Wd destination register (see <a href="#">Table 5-5</a> )
iiii <sup>(1)</sup>	Prefetch X Operation (see <a href="#">Table 5-6</a> )
jjjj <sup>(1)</sup>	Prefetch Y Operation (see <a href="#">Table 5-8</a> )
k	1-bit literal field, constant data or expression
kkkk	4-bit literal field, constant data or expression
kk kkkk	6-bit literal field, constant data or expression
kkkk kkkk	8-bit literal field, constant data or expression
kk kkkk kkkk	10-bit literal field, constant data or expression
kk kkkk kkkk kkkk	14-bit literal field, constant data or expression
kkkk kkkk kkkk kkkk	16-bit literal field, constant data or expression
mm	Multiplier source select with same working registers (see <a href="#">Table 5-10</a> )
mmm	Multiplier source select with different working registers (see <a href="#">Table 5-11</a> )
nnnn nnnn nnnn nnn0 nnn nnnn	23-bit program address for CALL and GOTO instructions
nnnn nnnn nnnn nnnn	16-bit program offset field for relative branch/call instructions
ppp	Addressing mode for Ws source register (see <a href="#">Table 5-2</a> )
qqq	Addressing mode for Wd destination register (see <a href="#">Table 5-3</a> )
rrrr	Barrel shift count
ssss	Ws source register select: 0000 = W0; 1111 = W15
t t t t	Dividend select, most significant word
v v v v	Dividend select, least significant word
w	Double Word mode selection bit: 0 = word operation; 1 = double word operation
www	Wb base register select: 0000 = W0; 1111 = W15
xx <sup>(1)</sup>	Prefetch X Destination (see <a href="#">Table 5-7</a> )
xxxx xxxx xxxx xxxx	16-bit unused field (don't care)
yy <sup>(1)</sup>	Prefetch Y Destination (see <a href="#">Table 5-9</a> )
z	Bit test destination: 0 = C flag bit; 1 = Z flag bit

**Note 1:** This field is only available in dsPIC30F, dsPIC33F, and dsPIC33E devices.

## Section 5. Instruction Descriptions

**Table 5-2: Addressing Modes for Ws Source Register**

ppp	Addressing Mode	Source Operand
000	Register Direct	Ws
001	Indirect	[Ws]
010	Indirect with Post-Decrement	[Ws--]
011	Indirect with Post-Increment	[Ws++]
100	Indirect with Pre-Decrement	[--Ws]
101	Indirect with Pre-Increment	[++Ws]
11x	Unused	

**Table 5-3: Addressing Modes for Wd Destination Register**

qqq	Addressing Mode	Destination Operand
000	Register Direct	Wd
001	Indirect	[Wd]
010	Indirect with Post-Decrement	[Wd--]
011	Indirect with Post-Increment	[Wd++]
100	Indirect with Pre-Decrement	[--Wd]
101	Indirect with Pre-Increment	[++Wd]
11x	Unused (an attempt to use this Addressing mode will force a RESET instruction)	

**Table 5-4: Offset Addressing Modes for Ws Source Register (with Register Offset)**

ggg	Addressing Mode	Source Operand
000	Register Direct	Ws
001	Indirect	[Ws]
010	Indirect with Post-Decrement	[Ws--]
011	Indirect with Post-Increment	[Ws++]
100	Indirect with Pre-Decrement	[--Ws]
101	Indirect with Pre-Increment	[++Ws]
11x	Indirect with Register Offset	[Ws+Wb]

**Table 5-5: Offset Addressing Modes for Wd Destination Register (with Register Offset)**

hhh	Addressing Mode	Source Operand
000	Register Direct	Wd
001	Indirect	[Wd]
010	Indirect with Post-Decrement	[Wd--]
011	Indirect with Post-Increment	[Wd++]
100	Indirect with Pre-Decrement	[--Wd]
101	Indirect with Pre-Increment	[++Wd]
11x	Indirect with Register Offset	[Wd+Wb]

# 16-bit MCU and DSC Programmer's Reference Manual

**Table 5-6: X Data Space Prefetch Operation (dsPIC30F, dsPIC33F and dsPIC33E)**

<b>iiii</b>	<b>Operation</b>
0000	Wxd = [W8]
0001	Wxd = [W8], W8 = W8 + 2
0010	Wxd = [W8], W8 = W8 + 4
0011	Wxd = [W8], W8 = W8 + 6
0100	No Prefetch for X Data Space
0101	Wxd = [W8], W8 = W8 - 6
0110	Wxd = [W8], W8 = W8 - 4
0111	Wxd = [W8], W8 = W8 - 2
1000	Wxd = [W9]
1001	Wxd = [W9], W9 = W9 + 2
1010	Wxd = [W9], W9 = W9 + 4
1011	Wxd = [W9], W9 = W9 + 6
1100	Wxd = [W9 + W12]
1101	Wxd = [W9], W9 = W9 - 6
1110	Wxd = [W9], W9 = W9 - 4
1111	Wxd = [W9], W9 = W9 - 2

**Table 5-7: X Data Space Prefetch Destination (dsPIC30F, dsPIC33F and dsPIC33E)**

<b>xx</b>	<b>Wxd</b>
00	W4
01	W5
10	W6
11	W7

**Table 5-8: Y Data Space Prefetch Operation (dsPIC30F, dsPIC33F and dsPIC33E)**

<b>jjjj</b>	<b>Operation</b>
0000	Wyd = [W10]
0001	Wyd = [W10], W10 = W10 + 2
0010	Wyd = [W10], W10 = W10 + 4
0011	Wyd = [W10], W10 = W10 + 6
0100	No Prefetch for Y Data Space
0101	Wyd = [W10], W10 = W10 - 6
0110	Wyd = [W10], W10 = W10 - 4
0111	Wyd = [W10], W10 = W10 - 2
1000	Wyd = [W11]
1001	Wyd = [W11], W11 = W11 + 2
1010	Wyd = [W11], W11 = W11 + 4
1011	Wyd = [W11], W11 = W11 + 6
1100	Wyd = [W11 + W12]
1101	Wyd = [W11], W11 = W11 - 6
1110	Wyd = [W11], W11 = W11 - 4
1111	Wyd = [W11], W11 = W11 - 2



## Section 5. Instruction Descriptions

**Table 5-9: Y Data Space Prefetch Destination (dsPIC30F, dsPIC33F and dsPIC33E)**

yy	Wyd
00	W4
01	W5
10	W6
11	W7

**Table 5-10: MAC or MPY Source Operands (Same Working Register) (dsPIC30F, dsPIC33F and dsPIC33E)**

mm	Multiplicands
00	W4 * W4
01	W5 * W5
10	W6 * W6
11	W7 * W7

**Table 5-11: MAC or MPY Source Operands (Different Working Register) (dsPIC30F, dsPIC33F and dsPIC33E)**

mmm	Multiplicands
000	W4 * W5
001	W4 * W6
010	W4 * W7
011	Invalid
100	W5 * W6
101	W5 * W7
110	W6 * W7
111	Invalid

**Table 5-12: MAC Accumulator Write Back Selection (dsPIC30F, dsPIC33F and dsPIC33E)**

aa	Write Back Selection
00	W13 = Other Accumulator (Direct Addressing)
01	[W13] + = 2 = Other Accumulator (Indirect Addressing with Post-Increment)
10	No Write Back
11	Invalid

**Table 5-13: MOV PAg Destination Selection**

PP	Target Page Register
00	DSRPAG
01	DSWPAG
10	TBLPAG
11	Reserved – do not use

**Table 5-14: Accumulator Selection**

A	Target Accumulator
0	Accumulator A
1	Accumulator B

## 5.3 INSTRUCTION DESCRIPTION EXAMPLE

The example description below is for the fictitious instruction F00. The following example instruction was created to demonstrate how the table fields (syntax, operands, operation, etc.) are used to describe the instructions presented in [Section 5.4 "Instruction Descriptions"](#).

### F00

The Header field summarizes what the instruction does

Implemented in:	PIC24F	PIC24H	PIC24E	dsPIC30F	dsPIC33F	dsPIC33E
				X	X	X

Cells marked with an 'X' indicate the instruction is implemented for that device family.

- Syntax:** The Syntax field consists of an optional label, the instruction mnemonic, any optional extensions which exist for the instruction and the operands for the instruction. Most instructions support more than one operand variant to support the various Addressing modes. In these circumstances, all possible instruction operands are listed beneath each other and are enclosed in braces.
- Operands:** The Operands field describes the set of values which each of the operands may take. Operands may be accumulator registers, file registers, literal constants (signed or unsigned), or working registers.
- Operation:** The Operation field summarizes the operation performed by the instruction.
- Status Affected:** The Status Affected field describes which bits of the STATUS Register are affected by the instruction. Status bits are listed by bit position in descending order.
- Encoding:** The Encoding field shows how the instruction is bit encoded. Individual bit fields are explained in the Description field, and complete encoding details are provided in [Table 5.2](#).
- Description:** The Description field describes in detail the operation performed by the instruction. A key for the encoding bits is also provided.
- Words:** The Words field contains the number of program words that are used to store the instruction in memory.
- Cycles:** The Cycles field contains the number of instruction cycles that are required to execute the instruction.
- Examples:** The Examples field contains examples that demonstrate how the instruction operates. "Before" and "After" register snapshots are provided, which allow the user to clearly understand what operation the instruction performs.

## 5.4 INSTRUCTION DESCRIPTIONS

### ADD

Add f to WREG

Implemented in:	PIC24F	PIC24H	PIC24E	dsPIC30F	dsPIC33F	dsPIC33E
	X	X	X	X	X	X

Syntax:            {label:}    ADD{.B}    f            {,WREG}

Operands:        f ∈ [0 ... 8191]

Operation:        (f) + (WREG) → destination designated by D

Status Affected: DC, N, OV, Z, C

Encoding:	1011	0100	0BDf	ffff	ffff	ffff
-----------	------	------	------	------	------	------

Description:     Add the contents of the default working register WREG to the contents of the file register, and place the result in the destination register. The optional WREG operand determines the destination register. If WREG is specified, the result is stored in WREG. If WREG is not specified, the result is stored in the file register.

The 'B' bit selects byte or word operation ('0' for word, '1' for byte).

The 'D' bit selects the destination ('0' for WREG, '1' for file register).

The 'f' bits select the address of the file register.

**Note 1:** The extension .B in the instruction denotes a byte operation rather than a word operation. You may use a .W extension to denote a word operation, but it is not required.

**2:** The WREG is set to working register W0.

Words:            1

Cycles:           1(1)

**Note 1:** In dsPIC33E and PIC24E devices, the listed cycle count does not apply to read and read-modify-write operations on non-CPU Special Function Registers. For more details, see **Note 3** in [Section 3.2.1 "Multi-Cycle Instructions"](#).

Example 1:        ADD.B        RAM100        ; Add WREG to RAM100 (Byte mode)

Before Instruction	After Instruction												
<table border="1" style="margin-left: auto; margin-right: auto;"> <tr><td style="padding: 2px;">WREG</td><td style="padding: 2px;">CC80</td></tr> <tr><td style="padding: 2px;">RAM100</td><td style="padding: 2px;">FFC0</td></tr> <tr><td style="padding: 2px;">SR</td><td style="padding: 2px;">0000</td></tr> </table>	WREG	CC80	RAM100	FFC0	SR	0000	<table border="1" style="margin-left: auto; margin-right: auto;"> <tr><td style="padding: 2px;">WREG</td><td style="padding: 2px;">CC80</td></tr> <tr><td style="padding: 2px;">RAM100</td><td style="padding: 2px;">FF40</td></tr> <tr><td style="padding: 2px;">SR</td><td style="padding: 2px;">0005 (OV, C = 1)</td></tr> </table>	WREG	CC80	RAM100	FF40	SR	0005 (OV, C = 1)
WREG	CC80												
RAM100	FFC0												
SR	0000												
WREG	CC80												
RAM100	FF40												
SR	0005 (OV, C = 1)												

Example 2:        ADD        RAM200, WREG    ; Add RAM200 to WREG (Word mode)

Before Instruction	After Instruction												
<table border="1" style="margin-left: auto; margin-right: auto;"> <tr><td style="padding: 2px;">WREG</td><td style="padding: 2px;">CC80</td></tr> <tr><td style="padding: 2px;">RAM200</td><td style="padding: 2px;">FFC0</td></tr> <tr><td style="padding: 2px;">SR</td><td style="padding: 2px;">0000</td></tr> </table>	WREG	CC80	RAM200	FFC0	SR	0000	<table border="1" style="margin-left: auto; margin-right: auto;"> <tr><td style="padding: 2px;">WREG</td><td style="padding: 2px;">CC40</td></tr> <tr><td style="padding: 2px;">RAM200</td><td style="padding: 2px;">FFC0</td></tr> <tr><td style="padding: 2px;">SR</td><td style="padding: 2px;">0001 (C = 1)</td></tr> </table>	WREG	CC40	RAM200	FFC0	SR	0001 (C = 1)
WREG	CC80												
RAM200	FFC0												
SR	0000												
WREG	CC40												
RAM200	FFC0												
SR	0001 (C = 1)												

## ADD

Add Literal to Wn

Implemented in:	PIC24F	PIC24H	PIC24E	dsPIC30F	dsPIC33F	dsPIC33E
	X	X	X	X	X	X

Syntax: {label:} ADD{.B} #lit10, Wn

Operands: lit10 ∈ [0 ... 255] for byte operation  
lit10 ∈ [0 ... 1023] for word operation  
Wn ∈ [W0 ... W15]

Operation: lit10 + (Wn) → Wn

Status Affected: DC, N, OV, Z, C

Encoding:	1011	0000	0Bkk	kkkk	kkkk	dddd
-----------	------	------	------	------	------	------

Description: Add the 10-bit unsigned literal operand to the contents of the working register Wn, and place the result back into the working register Wn.

The 'B' bit selects byte or word operation ('0' for word, '1' for byte).

The 'k' bits specify the literal operand.

The 'd' bits select the address of the working register.

**Note 1:** The extension .B in the instruction denotes a byte operation rather than a word operation. You may use a .W extension to denote a word operation, but it is not required.

**2:** For byte operations, the literal must be specified as an unsigned value [0:255]. See [Section 4.6 "Using 10-bit Literal Operands"](#) for information on using 10-bit literal operands in Byte mode.

Words: 1

Cycles: 1

Example 1: ADD.B #0xFF, W7 ; Add -1 to W7 (Byte mode)

	Before Instruction	After Instruction
W7	12C0	12BF
SR	0000	0009 (N, C = 1)

Example 2: ADD #0xFF, W1 ; Add 255 to W1 (Word mode)

	Before Instruction	After Instruction
W1	12C0	13BF
SR	0000	0000



# 16-bit MCU and DSC Programmer's Reference Manual

Example 2:      ADD            W3, #0x6, [--W4]      ; Add W3 and 6 (Word mode)  
    ; Store the result in [--W4]

	Before Instruction	After Instruction
W3	6006	6006
W4	1000	0FFE
Data 0FFE	DDEE	600C
Data 1000	DDEE	DDEE
SR	0000	0000

## ADD

Add Wb to Ws

Implemented in:	PIC24F	PIC24H	PIC24E	dsPIC30F	dsPIC33F	dsPIC33E
	X	X	X	X	X	X

Syntax:            {label:}    ADD{.B}    Wb,            Ws,            Wd  
    [Ws],        [Wd]  
    [Ws++],     [Wd++]  
    [Ws--],     [Wd--]  
    [++Ws],     [++Wd]  
    [--Ws],     [--Wd]

Operands:            Wb ∈ [W0 ... W15]  
    Ws ∈ [W0 ... W15]  
    Wd ∈ [W0 ... W15]

Operation:            (Wb) + (Ws) →Wd

Status Affected:    DC, N, OV, Z, C

Encoding:	0100	0www	wBqq	qddd	dppp	ssss
-----------	------	------	------	------	------	------

Description:        Add the contents of the source register Ws and the contents of the base register Wb, and place the result in the destination register Wd. Register direct addressing must be used for Wb. Either register direct or indirect addressing may be used for Ws and Wd.

- The 'w' bits select the address of the base register.
- The 'B' bit selects byte or word operation ('0' for word, '1' for byte).
- The 'q' bits select the destination Address mode.
- The 'd' bits select the destination register.
- The 'p' bits select the source Address mode.
- The 's' bits select the source register.

**Note:**    The extension .B in the instruction denotes a byte operation rather than a word operation. You may use a .W extension to denote a word operation, but it is not required.

Words:                1  
 Cycles:               1(1)

**Note 1:**    In dsPIC33E and PIC24E devices, the listed cycle count does not apply to read and read-modify-write operations on non-CPU Special Function Registers. For more details, see **Note 3** in [Section 3.2.1 "Multi-Cycle Instructions"](#).

# Section 5. Instruction Descriptions

Example 1:    ADD.B        W5, W6, W7            ; Add W5 to W6, store result in W7  
    ; (Byte mode)

	Before Instruction		After Instruction
W5	AB00	W5	AB00
W6	0030	W6	0030
W7	FFFF	W7	FF30
SR	0000	SR	0000

Example 2:    ADD            W5, W6, W7            ; Add W5 to W6, store result in W7  
    ; (Word mode)

	Before Instruction		After Instruction
W5	AB00	W5	AB00
W6	0030	W6	0030
W7	FFFF	W7	AB30
SR	0000	SR	0008 (N = 1)

## ADD Add Accumulators

Implemented in:	PIC24F	PIC24H	PIC24E	dsPIC30F	dsPIC33F	dsPIC33E
				X	X	X

Syntax:            {label;}    ADD        Acc

Operands:        Acc ∈ [A,B]

Operation:        If (Acc = A):  
    (ACCA) + (ACCB) →ACCA  
    Else:  
    (ACCA) + (ACCB) →ACCB

Status Affected:    OA, OB, OAB, SA, SB, SAB

Encoding:	1100	1011	A000	0000	0000	0000
-----------	------	------	------	------	------	------

Description:        Add the contents of Accumulator A to the contents of Accumulator B and place the result in the selected accumulator. This instruction performs a 40-bit addition.

The 'A' bit specifies the destination accumulator.

Words:            1

Cycles:            1

Example 1:    ADD            A                            ; Add ACCB to ACCA

	Before Instruction		After Instruction
ACCA	00 0022 3300	ACCA	00 1855 7858
ACCB	00 1833 4558	ACCB	00 1833 4558
SR	0000	SR	0000

# 16-bit MCU and DSC Programmer's Reference Manual

Example 2:      ADD            B                    ; Add ACCA to ACCB  
    ; Assume Super Saturation mode enabled  
    ; (ACCSAT = 1, SATA = 1, SATB = 1)

	Before Instruction	After Instruction
ACCA	00 E111 2222	00 E111 2222
ACCB	00 7654 3210	01 5765 5432
SR	0000	4800 (OB, OAB = 1)

## ADD                                  16-bit Signed Add to Accumulator

Implemented in:	PIC24F	PIC24H	PIC24E	dsPIC30F	dsPIC33F	dsPIC33E
				X	X	X

Syntax:            {label;}    ADD            Ws,            {#Slit4,}    Acc

[Ws],  
 [Ws++],  
 [Ws--],  
 [--Ws],  
 [++Ws],  
 [Ws+Wb],

Operands:          Ws ∈ [W0 ... W15]  
                       Wb ∈ [W0 ... W15]  
                       Slit4 ∈ [-8 ... +7]  
                       Acc ∈ [A,B]

Operation:          Shift<sub>Slit4</sub>(Extend(Ws)) + (Acc) →Acc

Status Affected:   OA, OB, OAB, SA, SB, SAB

Encoding:	1100	1001	Awww	wrrr	rggg	ssss
-----------	------	------	------	------	------	------

Description:        Add a 16-bit value specified by the source working register to the most significant word of the selected accumulator. The source operand may specify the direct contents of a working register or an effective address. The value specified is added to the most significant word of the accumulator by sign-extending and zero backfilling the source operand prior to the operation. The value added to the accumulator may also be shifted by a 4-bit signed literal before the addition is made.

The 'A' bit specifies the destination accumulator.

The 'w' bits specify the offset register Wb.

The 'r' bits encode the optional shift.

The 'g' bits select the source Address mode.

The 's' bits specify the source register Ws.

**Note:**            Positive values of operand Slit4 represent an arithmetic shift right and negative values of operand Slit4 represent an arithmetic shift left. The contents of the source register are not affected by Slit4.



# Section 5. Instruction Descriptions

## ADD

16-bit Signed Add to Accumulator

Words: 1  
Cycles: 1(1)

**Note 1:** In dsPIC33E and PIC24E devices, the listed cycle count does not apply to read and read-modify-write operations on non-CPU Special Function Registers. For more details, see **Note 3** in [Section 3.2.1 "Multi-Cycle Instructions"](#).

Example 1:     ADD W0, #2, A             ; Add W0 right-shifted by 2 to ACCA

Before Instruction		After Instruction	
W0	8000	W0	8000
ACCA	00 7000 0000	ACCA	00 5000 0000
SR	0000	SR	0000

Example 2:     ADD [W5++], A             ; Add the effective value of W5 to ACCA  
  ; Post-increment W5

Before Instruction		After Instruction	
W5	2000	W5	2002
ACCA	00 0067 2345	ACCA	00 5067 2345
Data 2000	5000	Data 2000	5000
SR	0000	SR	0000

## ADDC

Add f to WREG with Carry

Implemented in:	PIC24F	PIC24H	PIC24E	dsPIC30F	dsPIC33F	dsPIC33E
	X	X	X	X	X	X

Syntax:            {label:}    ADDC{.B} f            {,WREG}

Operands:         $f \in [0 \dots 8191]$

Operation:         $(f) + (\text{WREG}) + (\text{C}) \rightarrow \text{destination designated by D}$

Status Affected: DC, N, OV, Z, C

Encoding:	1011	0100	1BDf	ffff	ffff	ffff
-----------	------	------	------	------	------	------

Description: Add the contents of the default working register WREG, the contents of the file register and the Carry bit and place the result in the destination register. The optional WREG operand determines the destination register. If WREG is specified, the result is stored in WREG. If WREG is not specified, the result is stored in the file register.

The 'B' bit selects byte or word operation ('0' for word, '1' for byte).

The 'D' bit selects the destination ('0' for WREG, '1' for file register).

The 'f' bits select the address of the file register.

**Note 1:** The extension .B in the instruction denotes a byte operation rather than a word operation. You may use a .W extension to denote a word operation, but it is not required.

**2:** The WREG is set to working register W0.

**3:** The Z flag is "sticky" for ADDC, CPB, SUBB and SUBBR. These instructions can only clear Z.

Words:            1

Cycles:            1(1)

**Note 1:** In dsPIC33E and PIC24E devices, the listed cycle count does not apply to read and read-modify-write operations on non-CPU Special Function Registers. For more details, see **Note 3** in [Section 3.2.1 "Multi-Cycle Instructions"](#).

Example 1:    ADDC.B        RAM100                ; Add WREG and C bit to RAM100  
   ; (Byte mode)

	Before Instruction		After Instruction
WREG	CC60		CC60
RAM100	8006		8067
SR	0001	(C=1)	0000

Example 2:    ADDC            RAM200, WREG        ; Add RAM200 and C bit to the WREG  
   ; (Word mode)

	Before Instruction		After Instruction
WREG	5600		8A01
RAM200	3400		3400
SR	0001	(C=1)	000C
			(N, OV = 1)

## ADDC

Add Literal to Wn with Carry

Implemented in:	PIC24F	PIC24H	PIC24E	dsPIC30F	dsPIC33F	dsPIC33E
	X	X	X	X	X	X

Syntax:            {label:}    ADDC{.B}    #lit10,    Wn

Operands:        lit10 ∈ [0 ... 255] for byte operation  
                   lit10 ∈ [0 ... 1023] for word operation  
                   Wn ∈ [W0 ... W15]

Operation:        lit10 + (Wn) + (C) → Wn

Status Affected: DC, N, OV, Z, C

Encoding:	1011	0000	1Bkk	kkkk	kkkk	dddd
-----------	------	------	------	------	------	------

Description:     Add the 10-bit unsigned literal operand, the contents of the working register Wn and the Carry bit, and place the result back into the working register Wn.

The 'B' bit selects byte or word operation ('0' for word, '1' for byte).

The 'k' bits specify the literal operand.

The 'd' bits select the address of the working register.

- Note 1:** The extension .B in the instruction denotes a byte operation rather than a word operation. You may use a .W extension to denote a word operation, but it is not required.
- 2:** For byte operations, the literal must be specified as an unsigned value [0:255]. See [Section 4.6 "Using 10-bit Literal Operands"](#) for information on using 10-bit literal operands in Byte mode.
- 3:** The Z flag is "sticky" for ADDC, CPB, SUBB and SUBBR. These instructions can only clear Z.

Words:            1

Cycles:           1

Example 1:     ADDC.B        #0xFF, W7        ; Add -1 and C bit to W7 (Byte mode)

	Before Instruction		After Instruction
W7	12C0	W7	12BF
SR	0000 (C = 0)	SR	0009 (N,C = 1)

Example 2:     ADDC            #0xFF, W1        ; Add 255 and C bit to W1 (Word mode)

	Before Instruction		After Instruction
W1	12C0	W1	13C0
SR	0001 (C = 1)	SR	0000

## ADDC

### Add Wb to Short Literal with Carry

Implemented in:	PIC24F	PIC24H	PIC24E	dsPIC30F	dsPIC33F	dsPIC33E
	X	X	X	X	X	X

Syntax:            {label:}    ADDC{.B}    Wb,        #lit5,        Wd  
  [Wd]  
  [Wd++]  
  [Wd--]  
  [++Wd]  
  [--Wd]

Operands:            Wb  $\in$  [W0 ... W15]  
                          lit5  $\in$  [0 ... 31]  
                          Wd  $\in$  [W0 ... W15]

Operation:            (Wb) + lit5 + (C)  $\rightarrow$ Wd

Status Affected:     DC, N, OV, Z, C

Encoding:	0100	1www	wBqq	qddd	d11k	kkkk
-----------	------	------	------	------	------	------

Description:           Add the contents of the base register Wb, the 5-bit unsigned short literal operand and the Carry bit, and place the result in the destination register Wd. Register direct addressing must be used for Wb. Register direct or indirect addressing may be used for Wd.

The 'w' bits select the address of the base register.  
The 'B' bit selects byte or word operation ('0' for word, '1' for byte).  
The 'q' bits select the destination Address mode.  
The 'd' bits select the destination register.  
The 'k' bits provide the literal operand, a five-bit integer number.

- Note 1:** The extension .B in the instruction denotes a byte operation rather than a word operation. You may use a .W extension to denote a word operation, but it is not required.
- 2:** The Z flag is “sticky” for ADDC, CPB, SUBB and SUBBR. These instructions can only clear Z.

Words:                 1  
Cycles:                 1

Example 1:            ADDC.B        W0, #0x1F, [W7]    ; Add W0, 31 and C bit (Byte mode)  
  ; Store the result in [W7]

	Before		After
	Instruction		Instruction
W0	CC80	W0	CC80
W7	12C0	W7	12C0
Data 12C0	B000	Data 12C0	B09F
SR	0000 (C = 0)	SR	0008 (N = 1)

## Section 5. Instruction Descriptions

Example 2:    ADDC    W3, #0x6, [--W4] ; Add W3, 6 and C bit (Word mode)  
; Store the result in [--W4]

Before Instruction		After Instruction	
W3	6006	W3	6006
W4	1000	W4	0FFE
Data 0FFE	DDEE	Data 0FFE	600D
Data 1000	DDEE	Data 1000	DDEE
SR	0001 (C = 1)	SR	0000

# 16-bit MCU and DSC Programmer's Reference Manual

## ADDC

Add Wb to Ws with Carry

Implemented in:	PIC24F	PIC24H	PIC24E	dsPIC30F	dsPIC33F	dsPIC33E
	X	X	X	X	X	X

Syntax:                    {label:}   ADDC{.B}   Wb,            Ws,            Wd  
                                 [Ws],           [Wd]  
                                 [Ws++],         [Wd++]  
                                 [Ws--],         [Wd--]  
                                 [++Ws],         [++Wd]  
                                 [--Ws],         [--Wd]

Operands:                 Wb ∈ [W0 ... W15]  
                                 Ws ∈ [W0 ... W15]  
                                 Wd ∈ [W0 ... W15]

Operation:                (Wb) + (Ws) + (C) →Wd

Status Affected:         DC, N, OV, Z, C

Encoding:	0100	1www	wBqq	qddd	dppp	ssss
-----------	------	------	------	------	------	------

Description:              Add the contents of the source register Ws, the contents of the base register Wb and the Carry bit, and place the result in the destination register Wd. Register direct addressing must be used for Wb. Either register direct or indirect addressing may be used for Ws and Wd.

The 'w' bits select the address of the base register.

The 'B' bit selects byte or word operation ('0' for word, '1' for byte).

The 'q' bits select the destination Address mode.

The 'd' bits select the destination register.

The 'p' bits select the source Address mode.

The 's' bits select the source register.

**Note 1:** The extension .B in the instruction denotes a byte operation rather than a word operation. You may use a .W extension to denote a word operation, but it is not required.

**2:** The Z flag is "sticky" for ADDC, CPB, SUBB and SUBBR. These instructions can only clear Z.

Words:                     1

Cycles:                    1(1)

**Note 1:** In dsPIC33E and PIC24E devices, the listed cycle count does not apply to read and read-modify-write operations on non-CPU Special Function Registers. For more details, see **Note 3** in [Section 3.2.1 "Multi-Cycle Instructions"](#).

## Section 5. Instruction Descriptions

Example 1:    `ADDC.B    W0, [W1++], [W2++]`    ; Add W0, [W1] and C bit (Byte mode)  
    ; Store the result in [W2]  
    ; Post-increment W1, W2

Before Instruction		After Instruction	
W0	CC20	W0	CC20
W1	0800	W1	0801
W2	1000	W2	1001
Data 0800	AB25	Data 0800	AB25
Data 1000	FFFF	Data 1000	FF46
SR	0001 (C = 1)	SR	0000

Example 2:    `ADDC        W3, [W2++], [W1++]`    ; Add W3, [W2] and C bit (Word mode)  
    ; Store the result in [W1]  
    ; Post-increment W1, W2

Before Instruction		After Instruction	
W1	1000	W1	1002
W2	2000	W2	2002
W3	0180	W3	0180
Data 1000	8000	Data 1000	2681
Data 2000	2500	Data 2000	2500
SR	0001 (C = 1)	SR	0000

## AND

### AND f and WREG

Implemented in:	PIC24F	PIC24H	PIC24E	dsPIC30F	dsPIC33F	dsPIC33E
	X	X	X	X	X	X

Syntax:            {label:}    AND{.B}    f            {,WREG}

Operands:            f ∈ [0 ... 8191]

Operation:           (f).AND.(WREG) →destination designated by D

Status Affected:    N, Z

Encoding:	1011	0110	0Bdf	ffff	ffff	ffff
-----------	------	------	------	------	------	------

Description:        Compute the logical AND operation of the contents of the default working register WREG and the contents of the file register, and place the result in the destination register. The optional WREG operand determines the destination register. If WREG is specified, the result is stored in WREG. If WREG is not specified, the result is stored in the file register.

The 'B' bit selects byte or word operation ('0' for word, '1' for byte).

The 'D' bit selects the destination ('0' for WREG, '1' for file register).

The 'f' bits select the address of the file register.

**Note 1:** The extension .B in the instruction denotes a byte operation rather than a word operation. You may use a .W extension to denote a word operation, but it is not required.

**2:** The WREG is set to working register W0.

Words:               1

Cycles:              1(1)

**Note 1:** In dsPIC33E and PIC24E devices, the listed cycle count does not apply to read and read-modify-write operations on non-CPU Special Function Registers. For more details, see **Note 3** in [Section 3.2.1 "Multi-Cycle Instructions"](#).

Example 1:        AND.B RAM100                            ; AND WREG to RAM100 (Byte mode)

	Before Instruction	After Instruction
WREG	CC80	CC80
RAM100	FFC0	FF80
SR	0000	0008 (N = 1)

Example 2:        AND RAM200, WREG                    ; AND RAM200 to WREG (Word mode)

	Before Instruction	After Instruction
WREG	CC80	0080
RAM200	12C0	12C0
SR	0000	0000



## AND

### AND Literal and Wn

Implemented in:	PIC24F	PIC24H	PIC24E	dsPIC30F	dsPIC33F	dsPIC33E
	X	X	X	X	X	X

Syntax:            {label:}    AND{.B}    #lit10,    Wn

Operands:        lit10 ∈ [0 ... 255] for byte operation  
                   lit10 ∈ [0 ... 1023] for word operation  
                   Wn ∈ [W0 ... W15]

Operation:        lit10.AND.(Wn) →Wn

Status Affected: N, Z

Encoding:	1011	0010	0Bkk	kkkk	kkkk	dddd
-----------	------	------	------	------	------	------

Description:     Compute the logical AND operation of the 10-bit literal operand and the contents of the working register Wn and place the result back into the working register Wn. Register direct addressing must be used for Wn.

The 'B' bit selects byte or word operation ('0' for word, '1' for byte).

The 'k' bits specify the literal operand.

The 'd' bits select the address of the working register.

**Note 1:** The extension .B in the instruction denotes a byte operation rather than a word operation. You may use a .W extension to denote a word operation, but it is not required.

**2:** For byte operations, the literal must be specified as an unsigned value [0:255]. See [Section 4.6 "Using 10-bit Literal Operands"](#) for information on using 10-bit literal operands in Byte mode.

Words:            1

Cycles:           1

Example 1:     AND.B #0x83, W7                            ; AND 0x83 to W7 (Byte mode)

	Before	After
	Instruction	Instruction
W7	12C0	1280
SR	0000	0008 (N = 1)

Example 2:     AND #0x333, W1                            ; AND 0x333 to W1 (Word mode)

	Before	After
	Instruction	Instruction
W1	12D0	0210
SR	0000	0000





# 16-bit MCU and DSC Programmer's Reference Manual

---

Example 1:     AND.B        W0, W1 [W2++] ; AND W0 and W1, and  
  ; store to [W2] (Byte mode)  
  ; Post-increment W2

Before Instruction		After Instruction	
W0	AA55	W0	AA55
W1	2211	W1	2211
W2	1001	W2	1002
Data 1000	FFFF	Data 1000	11FF
SR	0000	SR	0000

Example 2:     AND         W0, [W1++], W2 ; AND W0 and [W1], and  
  ; store to W2 (Word mode)  
  ; Post-increment W1

Before Instruction		After Instruction	
W0	AA55	W0	AA55
W1	1000	W1	1002
W2	55AA	W2	2214
Data 1000	2634	Data 1000	2634
SR	0000	SR	0000

## ASR

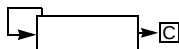
### Arithmetic Shift Right f

Implemented in:	PIC24F	PIC24H	PIC24E	dsPIC30F	dsPIC33F	dsPIC33E
	X	X	X	X	X	X

Syntax:            {label:}    ASR{.B}    f            {,WREG}

Operands:        f ∈ [0 ... 8191]

Operation:        For byte operation:  
                       (f<7>) →Dest<7>  
                       (f<7>) →Dest<6>  
                       (f<6:1>) →Dest<5:0>  
                       (f<0>) →C  
                       For word operation:  
                       (f<15>) →Dest<15>  
                       (f<15>) →Dest<14>  
                       (f<14:1>) →Dest<13:0>  
                       (f<0>) →C



Status Affected: N, Z, C

Encoding:	1101	0101	1BDf	ffff	ffff	ffff
-----------	------	------	------	------	------	------

Description:     Shift the contents of the file register one bit to the right and place the result in the destination register. The Least Significant bit of the file register is shifted into the Carry bit of the STATUS Register. After the shift is performed, the result is sign-extended. The optional WREG operand determines the destination register. If WREG is specified, the result is stored in WREG. If WREG is not specified, the result is stored in the file register.

The 'B' bit selects byte or word operation ('0' for word, '1' for byte).  
 The 'D' bit selects the destination ('0' for WREG, '1' for file register).  
 The 'f' bits select the address of the file register.

- Note 1:** The extension .B in the instruction denotes a byte operation rather than a word operation. You may use a .W extension to denote a word operation, but it is not required.
- 2:** The WREG is set to working register W0.

Words:            1

Cycles:           1<sup>(1)</sup>

**Note 1:** In dsPIC33E and PIC24E devices, the listed cycle count does not apply to read and read-modify-write operations on non-CPU Special Function Registers. For more details, see **Note 3** in [Section 3.2.1 "Multi-Cycle Instructions"](#).

# 16-bit MCU and DSC Programmer's Reference Manual

---

Example 1:    ASR.B RAM400, WREG                    ; ASR RAM400 and store to WREG  
    ; (Byte mode)

Before Instruction		After Instruction	
WREG	0600	WREG	0611
RAM400	0823	RAM400	0823
SR	0000	SR	0001 (C = 1)

Example 2:    ASR RAM200                    ; ASR RAM200 (Word mode)

Before Instruction		After Instruction	
RAM200	8009	RAM200	C004
SR	0000	SR	0009 (N, C = 1)

# Section 5. Instruction Descriptions

## ASR

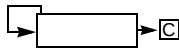
### Arithmetic Shift Right Ws

Implemented in:	PIC24F	PIC24H	PIC24E	dsPIC30F	dsPIC33F	dsPIC33E
	X	X	X	X	X	X

Syntax: {label:} ASR{.B} Ws, Wd  
 [Ws], [Wd]  
 [Ws++], [Wd++]  
 [Ws--], [Wd--]  
 [++Ws], [++Wd]  
 [--Ws], [--Wd]

Operands: Ws ∈ [W0 ... W15]  
 Wd ∈ [W0 ... W15]

Operation: For byte operation:  
 (Ws<7>) →Wd<7>  
 (Ws<7>) →Wd<6>  
 (Ws<6:1>) →Wd<5:0>  
 (Ws<0>) →C  
For word operation:  
 (Ws<15>) →Wd<15>  
 (Ws<15>) →Wd<14>  
 (Ws<14:1>) →Wd<13:0>  
 (Ws<0>) →C



Status Affected: N, Z, C

Encoding:	1101	0001	1Bqq	qddd	dppp	ssss
-----------	------	------	------	------	------	------

Description: Shift the contents of the source register Ws one bit to the right and place the result in the destination register Wd. The Least Significant bit of Ws is shifted into the Carry bit of the STATUS register. After the shift is performed, the result is sign-extended. Either register direct or indirect addressing may be used for Ws and Wd.

The 'B' bit selects byte or word operation ('0' for word, '1' for byte).

The 'q' bits select the destination Address mode.

The 'd' bits select the destination register.

The 'p' bits select the source Address mode.

The 's' bits select the source register.

**Note:** The extension .B in the instruction denotes a byte operation rather than a word operation. You may use a .W extension to denote a word operation, but it is not required.

Words: 1

Cycles: 1(1)

**Note 1:** In dsPIC33E and PIC24E devices, the listed cycle count does not apply to read and read-modify-write operations on non-CPU Special Function Registers. For more details, see **Note 3** in [Section 3.2.1 "Multi-Cycle Instructions"](#).

# 16-bit MCU and DSC Programmer's Reference Manual

---

---

Example 1: ASR.B [W0++], [W1++] ; ASR [W0] and store to [W1]  
(Byte mode)  
; Post-increment W0 and W1

	Before Instruction		After Instruction
W0	0600	W0	0601
W1	0801	W1	0802
Data 600	2366	Data 600	2366
Data 800	FFC0	Data 800	33C0
SR	0000	SR	0000

Example 2: ASR W12, W13 ; ASR W12 and store to W13  
(Word mode)

	Before Instruction		After Instruction
W12	AB01	W12	AB01
W13	0322	W13	D580
SR	0000	SR	0009 (N, C = 1)



# Section 5. Instruction Descriptions

## ASR

### Arithmetic Shift Right by Short Literal

Implemented in:	PIC24F	PIC24H	PIC24E	dsPIC30F	dsPIC33F	dsPIC33E
	X	X	X	X	X	X

Syntax: {label:} ASR Wb, #lit4, Wnd

Operands: Wb ∈ [W0 ... W15]  
lit4 ∈ [0...15]  
Wnd ∈ [W0 ... W15]

Operation: lit4<3:0> →Shift\_Val  
Wb<15> →Wnd<15:15-Shift\_Val + 1>  
Wb<15:Shift\_Val> →Wnd<15-Shift\_Val:0>

Status Affected: N, Z

Encoding:	1101	1110	1www	wddd	d100	kkkk
-----------	------	------	------	------	------	------

Description: Arithmetic shift right the contents of the source register Wb by the 4-bit unsigned literal, and store the result in the destination register Wnd. After the shift is performed, the result is sign-extended. Direct addressing must be used for Wb and Wnd.

The 'w' bits select the address of the base register.  
The 'd' bits select the destination register.  
The 'k' bits provide the literal operand.

**Note:** This instruction operates in Word mode only.

Words: 1

Cycles: 1

Example 1: ASR W0, #0x4, W1 ; ASR W0 by 4 and store to W1

	Before Instruction	After Instruction
W0	060F	060F
W1	1234	0060
SR	0000	0000

Example 2: ASR W0, #0x6, W1 ; ASR W0 by 6 and store to W1

	Before Instruction	After Instruction
W0	80FF	80FF
W1	0060	FE03
SR	0000	0008 (N = 1)

Example 3: ASR W0, #0xF, W1 ; ASR W0 by 15 and store to W1

	Before Instruction	After Instruction
W0	70FF	70FF
W1	CC26	0000
SR	0000	0002 (Z = 1)

## ASR

### Arithmetic Shift Right by Wns

Implemented in:	PIC24F	PIC24H	PIC24E	dsPIC30F	dsPIC33F	dsPIC33E
	X	X	X	X	X	X

Syntax: {label:} ASR Wb, Wns, Wnd

Operands: Wb ∈ [W0 ... W15]  
 Wns ∈ [W0 ... W15]  
 Wnd ∈ [W0 ... W15]

Operation: Wns<3:0> → Shift\_Val  
 Wb<15> → Wnd<15:15-Shift\_Val + 1>  
 Wb<15:Shift\_Val> → Wnd<15-Shift\_Val:0>

Status Affected: N, Z

Encoding:	1101	1110	1www	wddd	d000	ssss
-----------	------	------	------	------	------	------

Description: Arithmetic shift right the contents of the source register Wb by the 4 Least Significant bits of Wns (up to 15 positions) and store the result in the destination register Wnd. After the shift is performed, the result is sign-extended. Direct addressing must be used for Wb, Wns and Wnd. The 'w' bits select the address of the base register. The 'd' bits select the destination register. The 's' bits select the source register.

- Note 1:** This instruction operates in Word mode only.  
**Note 2:** If Wns is greater than 15, Wnd = 0x0 if Wb is positive, and Wnd = 0xFFFF if Wb is negative.

Words: 1

Cycles: 1

Example 1: ASR W0, W5, W6 ; ASR W0 by W5 and store to W6

Before		After	
Instruction		Instruction	
W0	80FF	W0	80FF
W5	0004	W5	0004
W6	2633	W6	F80F
SR	0000	SR	0000

Example 2: ASR W0, W5, W6 ; ASR W0 by W5 and store to W6

Before		After	
Instruction		Instruction	
W0	6688	W0	6688
W5	000A	W5	000A
W6	FF00	W6	0019
SR	0000	SR	0000

Example 3: ASR W11, W12, W13 ; ASR W11 by W12 and store to W13

Before		After	
Instruction		Instruction	
W11	8765	W11	8765
W12	88E4	W12	88E4
W13	A5A5	W13	F876
SR	0000	SR	0008 (N = 1)

# Section 5. Instruction Descriptions

## BCLR

Bit Clear f

Implemented in:	PIC24F	PIC24H	PIC24E	dsPIC30F	dsPIC33F	dsPIC33E
	X	X	X	X	X	X

Syntax: {label:} BCLR{.B} f, #bit4

Operands: f ∈ [0 ... 8191] for byte operation  
 f ∈ [0 ... 8190] (even only) for word operation  
 bit4 ∈ [0 ... 7] for byte operation  
 bit4 ∈ [0 ... 15] for word operation

Operation: 0 → f<bit4>

Status Affected: None

Encoding:	1010	1001	bbbf	ffff	ffff	ffffb
-----------	------	------	------	------	------	-------

Description: Clear the bit in the file register f specified by 'bit4'. Bit numbering begins with the Least Significant bit (bit 0) and advances to the Most Significant bit (bit 7 for byte operations, bit 15 for word operations).

The 'b' bits select value bit4 of the bit position to be cleared.  
 The 'f' bits select the address of the file register.

- Note 1:** The extension .B in the instruction denotes a byte operation rather than a word operation. You may use a .W extension to denote a word operation, but it is not required.
- 2:** When this instruction operates in Word mode, the file register address must be word-aligned.
- 3:** When this instruction operates in Byte mode, 'bit4' must be between 0 and 7.

Words: 1

Cycles: 1<sup>(1)</sup>

**Note 1:** In dsPIC33E and PIC24E devices, the listed cycle count does not apply to read and read-modify-write operations on non-CPU Special Function Registers. For more details, see **Note 3** in [Section 3.2.1 "Multi-Cycle Instructions"](#).

Example 1: BCLR.B 0x800, #0x7 ; Clear bit 7 in 0x800

	Before Instruction		After Instruction		
Data 0800	<table border="1"><tr><td>66EF</td></tr></table>	66EF	Data 0800	<table border="1"><tr><td>666F</td></tr></table>	666F
66EF					
666F					
SR	<table border="1"><tr><td>0000</td></tr></table>	0000	SR	<table border="1"><tr><td>0000</td></tr></table>	0000
0000					
0000					

Example 2: BCLR 0x400, #0x9 ; Clear bit 9 in 0x400

	Before Instruction		After Instruction		
Data 0400	<table border="1"><tr><td>AA55</td></tr></table>	AA55	Data 0400	<table border="1"><tr><td>A855</td></tr></table>	A855
AA55					
A855					
SR	<table border="1"><tr><td>0000</td></tr></table>	0000	SR	<table border="1"><tr><td>0000</td></tr></table>	0000
0000					
0000					

# 16-bit MCU and DSC Programmer's Reference Manual

## BCLR

### Bit Clear in Ws

Implemented in:	PIC24F	PIC24H	PIC24E	dsPIC30F	dsPIC33F	dsPIC33E
	X	X	X	X	X	X

Syntax: {label:} BCLR{.B} Ws, #bit4  
[Ws],  
[Ws++],  
[Ws--],  
[++Ws],  
[--Ws],

Operands: Ws ∈ [W0 ... W15]  
bit4 ∈ [0 ... 7] for byte operation  
bit4 ∈ [0 ... 15] for word operation

Operation: 0 → Ws<bit4>

Status Affected: None

Encoding:	1010	0001	bbbb	0B00	0ppp	ssss
-----------	------	------	------	------	------	------

Description: Clear the bit in register Ws specified by 'bit4'. Bit numbering begins with the Least Significant bit (bit 0) and advances to the Most Significant bit (bit 7 for byte operations, bit 15 for word operations). Register direct or indirect addressing may be used for Ws.

The 'b' bits select value bit4 of the bit position to be cleared.

The 'B' bit selects byte or word operation ('0' for word, '1' for byte).

The 's' bits select the source/destination register.

The 'p' bits select the source Address mode.

**Note 1:** The extension .B in the instruction denotes a byte operation rather than a word operation. You may use a .W extension to denote a word operation, but it is not required.

**2:** When this instruction operates in Word mode, the source register address must be word-aligned.

**3:** When this instruction operates in Byte mode, 'bit4' must be between 0 and 7.

**4:** In dsPIC33E and PIC24E devices, this instruction uses the DSRPAG register for indirect address generation in Extended Data Space.

Words: 1

Cycles: 1(1)

**Note 1:** In dsPIC33E and PIC24E devices, the listed cycle count does not apply to read and read-modify-write operations on non-CPU Special Function Registers. For more details, see **Note 3** in [Section 3.2.1 "Multi-Cycle Instructions"](#).

# Section 5. Instruction Descriptions

Example 1:    `BCLR.B W2, #0x2`                                  ; Clear bit 3 in W2

	Before Instruction		After Instruction
W2	F234		F230
SR	0000		0000

Example 2:    `BCLR [W0++], #0x0`                                  ; Clear bit 0 in [W0]  
   ; Post-increment W0

	Before Instruction		After Instruction
W0	2300		2302
Data 2300	5607		5606
SR	0000		0000

## BRA

### Branch Unconditionally

Implemented in:	PIC24F	PIC24H	PIC24E	dsPIC30F	dsPIC33F	dsPIC33E
	X	X	X	X	X	X

Syntax: {label;} BRA Expr

Operands: Expr may be a label, absolute address or expression.  
Expr is resolved by the linker to a Slit16, where  $\text{Slit16} \in [-32768 \dots +32767]$ .

Operation:  $(\text{PC} + 2) + 2 * \text{Slit16} \rightarrow \text{PC}$   
NOP  $\rightarrow$  Instruction Register

Status Affected: None

Encoding:	0011	0111	nnnn	nnnn	nnnn	nnnn
-----------	------	------	------	------	------	------

Description: The program will branch unconditionally, relative to the next PC. The offset of the branch is the two's complement number '2 \* Slit16', which supports branches up to 32K instructions forward or backward. The Slit16 value is resolved by the linker from the supplied label, absolute address or expression. After the branch is taken, the new address will be  $(\text{PC} + 2) + 2 * \text{Slit16}$ , since the PC will have incremented to fetch the next instruction. The 'n' bits are a signed literal that specifies the number of program words offset from (PC + 2).

Words: 1

Cycles: 2 (PIC24F, PIC24H, dsPIC30F, dsPIC33F)

4 (PIC24E, dsPIC33E)

Example 1:

```

002000 HERE:   BRA THERE           ; Branch to THERE
002002         . . .
002004         . . .
002006         . . .
002008         . . .
00200A THERE: . . .
00200C         . . .
    
```

	Before Instruction		After Instruction
PC	00 2000		00 200A
SR	0000		0000

Example 2:

```

002000 HERE:   BRA THERE+0x2       ; Branch to THERE+0x2
002002         . . .
002004         . . .
002006         . . .
002008         . . .
00200A THERE: . . .
00200C         . . .
    
```

	Before Instruction		After Instruction
PC	00 2000		00 200C
SR	0000		0000

## Section 5. Instruction Descriptions

---

Example 3:    002000 HERE:    BRA 0x1366                    ; Branch to 0x1366  
                 002002                    . . .  
                 002004                    . . .

Before Instruction	
PC	00 2000
SR	0000

After Instruction	
PC	00 1366
SR	0000

## BRA

### Computed Branch

Implemented in:	PIC24F	PIC24H	PIC24E	dsPIC30F	dsPIC33F	dsPIC33E
	X	X		X	X	

Syntax:            {label;}    BRA        Wn

Operands:        Wn ∈ [W0 ... W15]

Operation:       (PC + 2) + (2 \* Wn) →PC  
NOP →Instruction Register

Status Affected: None

Encoding:	0000	0001	0110	0000	0000	ssss
-----------	------	------	------	------	------	------

Description:     The program branches unconditionally, relative to the next PC. The offset of the branch is the sign-extended 17-bit value (2 \* Wn), which supports branches up to 32K instructions forward or backward. After this instruction executes, the new PC will be (PC + 2) + 2 \* Wn, since the PC will have incremented to fetch the next instruction.

The 's' bits select the source register.

Words:            1

Cycles:           2

Example 1:    002000 HERE:    BRA W7                    ; Branch forward (2+2\*W7)  
                   002002            . . .  
                   . . .                . . .  
                   . . .                . . .  
                   002108            . . .  
                   00210A TABLE7: . . .  
                   00210C            . . .

	Before Instruction	After Instruction
PC	00 2000	00 210A
W7	0084	0084
SR	0000	0000



# Section 5. Instruction Descriptions

## BRA

### Computed Branch

Implemented in:	PIC24F	PIC24H	PIC24E	dsPIC30F	dsPIC33F	dsPIC33E
			X			X

Syntax:            {label;}    BRA            Wn

Operands:        Wn ∈ [W0 ... W15]

Operation:        (PC + 2) + (2 \* Wn) →PC  
NOP →Instruction Register

Status Affected:    None

Encoding:	0000	0001	0000	0110	0000	ssss
-----------	------	------	------	------	------	------

Description:        The program branches unconditionally, relative to the next PC. The offset of the branch is the sign-extended 17-bit value (2 \* Wn), which supports branches up to 32K instructions forward or backward. After this instruction executes, the new PC will be (PC + 2) + 2 \* Wn, since the PC will have incremented to fetch the next instruction.

The 's' bits select the source register.

Words:            1

Cycles:            4

Example 1:        002000 HERE:    BRA W7                    ; Branch forward (2+2\*W7)  
002002            . . .  
...                . . .  
...                . . .  
002108            . . .  
00210A TABLE7: . . .  
00210C            . . .

	Before Instruction		After Instruction
PC	00 2000	PC	00 210A
W7	0084	W7	0084
SR	0000	SR	0000

## BRA C Branch if Carry

Implemented in:	PIC24F	PIC24H	PIC24E	dsPIC30F	dsPIC33F	dsPIC33E
	X	X	X	X	X	X

Syntax: {label;} BRA C, Expr

Operands: Expr may be a label, absolute address or expression.  
Expr is resolved by the linker to a Slit16, where Slit16 ∈ [-32768 ... +32767].

Operation: Condition = C  
If (Condition)  
(PC + 2) + 2 \* Slit16 → PC  
NOP → Instruction Register

Status Affected: None

Encoding:	0011	0001	nnnn	nnnn	nnnn	nnnn
-----------	------	------	------	------	------	------

Description: If the Carry flag bit is '1', then the program will branch relative to the next PC. The offset of the branch is the two's complement number '2 \* Slit16', which supports branches up to 32K instructions forward or backward. The Slit16 value is resolved by the linker from the supplied label, absolute address or expression.

If the branch is taken, the new address will be (PC + 2) + 2 \* Slit16, since the PC will have incremented to fetch the next instruction. The instruction then becomes a two-cycle instruction, with a NOP executed in the second cycle.

The 'n' bits are a 16-bit signed literal that specify the offset from (PC + 2) in instruction words.

Words: 1

Cycles: 1 (2 if branch taken) – PIC24F, PIC24H, dsPIC30F, dsPIC33F

1 (4 if branch taken) – PIC24E, dsPIC33E

Example 1:

```

002000 HERE:   BRA C, CARRY      ; If C is set, branch to CARRY
002002 NO_C:   . . .          ; Otherwise... continue
002004         . . .
002006         GOTO THERE
002008 CARRY: . . .
00200A         . . .
00200C THERE: . . .
00200E         . . .
    
```

	Before Instruction		After Instruction
PC	00 2000		00 2008
SR	0001 (C = 1)		0001 (C = 1)

## Section 5. Instruction Descriptions

---

Example 2:

```

002000 HERE:   BRA C, CARRY   ; If C is set, branch to CARRY
002002 NO_C:   ...           ; Otherwise... continue
002004         ...
002006         GOTO THERE
002008 CARRY:  ...
00200A         ...
00200C THERE:  ...
00200E         ...
    
```

Before Instruction		After Instruction	
PC	00 2000	PC	00 2002
SR	0000	SR	0000

Example 3:

```

006230 HERE:   BRA C, CARRY   ; If C is set, branch to CARRY
006232 NO_C:   ...           ; Otherwise... continue
006234         ...
006236         GOTO THERE
006238 CARRY:  ...
00623A         ...
00623C THERE:  ...
00623E         ...
    
```

Before Instruction		After Instruction	
PC	00 6230	PC	00 6238
SR	0001 (C = 1)	SR	0001 (C = 1)

Example 4:

```

006230 START:  ...
006232         ...
006234 CARRY:  ...
006236         ...
006238         ...
00623A         ...
00623C HERE:   BRA C, CARRY   ; If C is set, branch to CARRY
00623E         ...           ; Otherwise... continue
    
```

Before Instruction		After Instruction	
PC	00 623C	PC	00 6234
SR	0001 (C = 1)	SR	0001 (C = 1)

## BRA GE

Branch if Signed Greater Than or Equal

Implemented in:	PIC24F	PIC24H	PIC24E	dsPIC30F	dsPIC33F	dsPIC33E
	X	X	X	X	X	X

Syntax: {label;} BRA GE, Expr

Operands: Expr may be a label, absolute address or expression.  
Expr is resolved by the linker to a Slit16, where  
Slit16 ∈ [-32768 ... +32767].

Operation: Condition = (N&&OV)||(!N&&!OV)  
If (Condition)  
(PC + 2) + 2 \* Slit16 →PC  
NOP →Instruction Register

Status Affected: None

Encoding:	0011	1101	nnnn	nnnn	nnnn	nnnn
-----------	------	------	------	------	------	------

Description: If the logical expression (N&&OV)||(!N&&!OV) is true, then the program will branch relative to the next PC. The offset of the branch is the two's complement number '2 \* Slit16', which supports branches up to 32K instructions forward or backward. The Slit16 value is resolved by the linker from the supplied label, absolute address or expression.

If the branch is taken, the new address will be (PC + 2) + 2 \* Slit16, since the PC will have incremented to fetch the next instruction. The instruction then becomes a two-cycle instruction, with a NOP executed in the second cycle.

The 'n' bits are a 16-bit signed literal that specify the offset from (PC + 2) in instruction words.

**Note:** The assembler will convert the specified label into the offset to be used.

Words: 1

Cycles: 1 (2 if branch taken) – PIC24F, PIC24H, dsPIC30F, dsPIC33F

1 (4 if branch taken) – PIC24E, dsPIC33E

Example 1:

```

007600 LOOP: . . .
007602 . . .
007604 . . .
007606 . . .
007608 HERE: BRA GE, LOOP           ; If GE, branch to LOOP
00760A NO_GE: . . .                ; Otherwise... continue
    
```

	Before Instruction
PC	00 7608
SR	0000

	After Instruction
PC	00 7600
SR	0000

## Section 5. Instruction Descriptions

---

Example 2:

```
007600 LOOP:   . . .
007602         . . .
007604         . . .
007606         . . .
007608 HERE:  BRA GE, LOOP      ; If GE, branch to LOOP
00760A NO_GE: . . .           ; Otherwise... continue
```

Before Instruction		After Instruction	
PC	00 7608	PC	00 760A
SR	0008 (N = 1)	SR	0008 (N = 1)

## BRA GEU

Branch if Unsigned Greater Than or Equal

Implemented in:	PIC24F	PIC24H	PIC24E	dsPIC30F	dsPIC33F	dsPIC33E
	X	X	X	X	X	X

Syntax: {label;} BRA GEU, Expr

Operands: Expr may be a label, absolute address or expression.  
Expr is resolved by the linker to a Slit16 offset that supports an offset range of [-32768 ... +32767] program words.

Operation: Condition = C  
If (Condition)  
(PC + 2) + 2 \* Slit16 → PC  
NOP → Instruction Register

Status Affected: None

Encoding:	0011	0001	nnnn	nnnn	nnnn	nnnn
-----------	------	------	------	------	------	------

Description: If the Carry flag is '1', then the program will branch relative to the next PC. The offset of the branch is the two's complement number '2 \* Slit16', which supports branches up to 32K instructions forward or backward. The Slit16 value is resolved by the linker from the supplied label, absolute address or expression.

If the branch is taken, the new address will be (PC + 2) + 2 \* Slit16, since the PC will have incremented to fetch the next instruction. The instruction then becomes a two-cycle instruction, with a NOP executed in the second cycle.

The 'n' bits are a 16-bit signed literal that specify the offset from (PC + 2) in instruction words.

**Note:** This instruction is identical to the BRA C, Expr (Branch if Carry) instruction and has the same encoding. It will reverse assemble as BRA C, Slit16.

Words: 1

Cycles: 1 (2 if branch taken) – PIC24F, PIC24H, dsPIC30F, dsPIC33F  
1 (4 if branch taken) – PIC24E, dsPIC33E

Example 1:

```

002000 HERE:   BRA GEU, BYPASS           ; If C is set, branch
002002 NO_GEU: . . .                 ; to BYPASS
002004         . . .                 ; Otherwise... continue
002006         . . .
002008         . . .
00200A         GOTO THERE
00200C BYPASS: . . .
00200E         . . .
    
```

	Before Instruction	After Instruction
PC	00 2000	00 200C
SR	0001 (C = 1)	0001 (C = 1)

# Section 5. Instruction Descriptions

## BRA GT

Branch if Signed Greater Than

Implemented in:	PIC24F	PIC24H	PIC24E	dsPIC30F	dsPIC33F	dsPIC33E
	X	X	X	X	X	X

Syntax: {label;} BRA GT, Expr

Operands: Expr may be a label, absolute address or expression.  
Expr is resolved by the linker to a Slit16, where  
Slit16  $\in$  [-32768 ... +32767].

Operation: Condition = (!Z&&N&&OV)||(!Z&&!N&&!OV)  
If (Condition)  
(PC + 2) + 2 \* Slit16  $\rightarrow$ PC  
NOP  $\rightarrow$ Instruction Register

Status Affected: None

Encoding:	0011	1100	nnnn	nnnn	nnnn	nnnn
-----------	------	------	------	------	------	------

Description: If the logical expression (!Z&&N&&OV)||(!Z&&!N&&!OV) is true, then the program will branch relative to the next PC. The offset of the branch is the two's complement number '2 \* Slit16', which supports branches up to 32K instructions forward or backward. The Slit16 value is resolved by the linker from the supplied label, absolute address or expression.

If the branch is taken, the new address will be (PC + 2) + 2 \* Slit16, since the PC will have incremented to fetch the next instruction. The instruction then becomes a two-cycle instruction, with a NOP executed in the second cycle.

The 'n' bits are a 16-bit signed literal that specify the offset from (PC + 2) in instruction words.

Words: 1

Cycles: 1 (2 if branch taken) – PIC24F, PIC24H, dsPIC30F, dsPIC33F

1 (4 if branch taken) – PIC24E, dsPIC33E

Example 1:

```

002000 HERE:    BRA GT, BYPASS          ; If GT, branch to BYPASS
002002 NO_GT:  . . .                  ; Otherwise... continue
002004         . . .
002006         . . .
002008         . . .
00200A         GOTO THERE
00200C BYPASS: . . .
00200E         . . .
    
```

	Before Instruction	After Instruction
PC	00 2000	00 200C
SR	0001 (C = 1)	0001 (C = 1)

## BRA GTU Branch if Unsigned Greater Than

Implemented in:	PIC24F	PIC24H	PIC24E	dsPIC30F	dsPIC33F	dsPIC33E
	X	X	X	X	X	X

Syntax:            {label;}    BRA            GTU,            Expr

Operands:            Expr may be a label, absolute address or expression.  
 Expr is resolved by the linker to a Slit16, where  
 Slit16 ∈ [-32768 ... +32767].

Operation:            Condition = (C&&!Z)  
 If (Condition)  
                   (PC + 2) + 2 \* Slit16 →PC  
                   NOP →Instruction Register

Status Affected:    None

Encoding:	0011	1110	nnnn	nnnn	nnnn	nnnn
-----------	------	------	------	------	------	------

Description:            If the logical expression (C&&!Z) is true, then the program will branch relative to the next PC. The offset of the branch is the two's complement number '2 \* Slit16', which supports branches up to 32K instructions forward or backward. The Slit16 value is resolved by the linker from the supplied label, absolute address or expression.

If the branch is taken, the new address will be (PC + 2) + 2 \* Slit16, since the PC will have incremented to fetch the next instruction. The instruction then becomes a two-cycle instruction, with a NOP executed in the second cycle.

The 'n' bits are a signed literal that specifies the number of instructions offset from (PC + 2).

Words:                1

Cycles:                1 (2 if branch taken) – PIC24F, PIC24H, dsPIC30F, dsPIC33F

1 (4 if branch taken) – PIC24E, dsPIC33E

```

Example 1: 002000 HERE:    BRA GTU, BYPASS            ; If GTU, branch to BYPASS
               002002 NO_GTU: . . .                            ; Otherwise... continue
               002004            . . .
               002006            . . .
               002008            . . .
               00200A            GOTO THERE
               00200C BYPASS:    . . .
               00200E            . . .
    
```

	Before Instruction		After Instruction
PC	00 2000		00 200C
SR	0001	(C = 1)	0001



# Section 5. Instruction Descriptions

## BRA LE

Branch if Signed Less Than or Equal

Implemented in:	PIC24F	PIC24H	PIC24E	dsPIC30F	dsPIC33F	dsPIC33E
	X	X	X	X	X	X

Syntax: {label;} BRA LE, Expr

Operands: Expr may be a label, absolute address or expression.  
Expr is resolved by the linker to a Slit16, where  
 $\text{Slit16} \in [-32768 \dots +32767]$ .

Operation: Condition =  $Z \vee (N \& \& !OV) \vee (!N \& \& OV)$   
If (Condition)  
 $(PC + 2) + 2 * \text{Slit16} \rightarrow PC$   
NOP  $\rightarrow$  Instruction Register

Status Affected: None

Encoding:	0011	0100	nnnn	nnnn	nnnn	nnnn
-----------	------	------	------	------	------	------

Description: If the logical expression  $(Z \vee (N \& \& !OV) \vee (!N \& \& OV))$  is true, then the program will branch relative to the next PC. The offset of the branch is the two's complement number '2 \* Slit16', which supports branches up to 32K instructions forward or backward. The Slit16 value is resolved by the linker from the supplied label, absolute address or expression.

If the branch is taken, the new address will be  $(PC + 2) + 2 * \text{Slit16}$ , since the PC will have incremented to fetch the next instruction. The instruction then becomes a two-cycle instruction, with a NOP executed in the second cycle.

The 'n' bits are a signed literal that specifies the number of instructions offset from  $(PC + 2)$ .

Words: 1

Cycles: 1 (2 if branch taken) – PIC24F, PIC24H, dsPIC30F, dsPIC33F  
1 (4 if branch taken) – PIC24E, dsPIC33E

```

Example 1: 002000 HERE:    BRA LE, BYPASS          ; If LE, branch to BYPASS
           002002 NO_LE: . . .                    ; Otherwise... continue
           002004         . . .
           002006         . . .
           002008         . . .
           00200A         GOTO THERE
           00200C BYPASS: . . .
           00200E         . . .
    
```

	Before Instruction	After Instruction
PC	00 2000	00 2002
SR	0001 (C = 1)	0001 (C = 1)

## BRA LEU

Branch if Unsigned Less Than or Equal

Implemented in:	PIC24F	PIC24H	PIC24E	dsPIC30F	dsPIC33F	dsPIC33E
	X	X	X	X	X	X

Syntax: {label;} BRA LEU, Expr

Operands: Expr may be a label, absolute address or expression.  
Expr is resolved by the linker to a Slit16, where  
Slit16 ∈ [-32768 ... +32767].

Operation: Condition = !C|Z  
If (Condition)  
(PC + 2) + 2 \* Slit16 → PC  
NOP → Instruction Register

Status Affected: None

Encoding:	0011	0110	nnnn	nnnn	nnnn	nnnn
-----------	------	------	------	------	------	------

Description: If the logical expression (!C|Z) is true, then the program will branch relative to the next PC. The offset of the branch is the two's complement number '2 \* Slit16', which supports branches up to 32K instructions forward or backward. The Slit16 value is resolved by the linker from the supplied label, absolute address or expression.

If the branch is taken, the new address will be (PC + 2) + 2 \* Slit16, since the PC will have incremented to fetch the next instruction. The instruction then becomes a two-cycle instruction, with a NOP executed in the second cycle.

The 'n' bits are a signed literal that specifies the number of instructions offset from (PC + 2).

Words: 1

Cycles: 1 (2 if branch taken) – PIC24F, PIC24H, dsPIC30F, dsPIC33F

1 (4 if branch taken) – PIC24E, dsPIC33E

```

Example 1: 002000 HERE:   BRA LEU, BYPASS           ; If LEU, branch to BYPASS
              002002 NO_LEU: . . .                ; Otherwise... continue
              002004           . . .
              002006           . . .
              002008           . . .
              00200A           GOTO THERE
              00200C BYPASS:  . . .
              00200E           . . .
    
```

	Before Instruction	After Instruction
PC	00 2000	00 200C
SR	0001 (C = 1)	0001 (C = 1)

# Section 5. Instruction Descriptions

## BRA LT

Branch if Signed Less Than

Implemented in:	PIC24F	PIC24H	PIC24E	dsPIC30F	dsPIC33F	dsPIC33E
	X	X	X	X	X	X

Syntax:            {label;}    BRA            LT,            Expr

Operands:           Expr may be a label, absolute address or expression.  
Expr is resolved by the linker to a Slit16, where  
Slit16 ∈ [-32768 ... +32767].

Operation:           Condition = (N&&!OV)||(!N&&OV)  
If (Condition)  
    (PC + 2) + 2 \* Slit16 →PC  
    NOP →Instruction Register

Status Affected:    None

Encoding:	0011	0101	nnnn	nnnn	nnnn	nnnn
-----------	------	------	------	------	------	------

Description:           If the logical expression ( (N&&!OV)||(!N&&OV) ) is true, then the program will branch relative to the next PC. The offset of the branch is the two's complement number '2 \* Slit16', which supports branches up to 32K instructions forward or backward. The Slit16 value is resolved by the linker from the supplied label, absolute address or expression.

If the branch is taken, the new address will be (PC + 2) + 2 \* Slit16, since the PC will have incremented to fetch the next instruction. The instruction then becomes a two-cycle instruction, with a NOP executed in the second cycle.

The 'n' bits are a signed literal that specifies the number of instructions offset from (PC + 2).

Words:                1

Cycles:                1 (2 if branch taken) – PIC24F, PIC24H, dsPIC30F, dsPIC33F

1 (4 if branch taken) – PIC24E, dsPIC33E

Example 1:        002000 HERE:        BRA LT, BYPASS        ; If LT, branch to BYPASS  
                  002002 NO\_LT:        . . .                    ; Otherwise... continue  
                  002004                . . .  
                  002006                . . .  
                  002008                . . .  
                  00200A              GOTO THERE  
                  00200C BYPASS:        . . .  
                  00200E                . . .

	Before Instruction		After Instruction
PC	00 2000	(C = 1)	PC
SR	0001	(C = 1)	SR
			00 2002
			0001

## BRA LTU Branch if Unsigned Less Than

Implemented in:	PIC24F	PIC24H	PIC24E	dsPIC30F	dsPIC33F	dsPIC33E
	X	X	X	X	X	X

Syntax:            {label;}    BRA            LTU,            Expr

Operands:           Expr may be a label, absolute address or expression.  
 Expr is resolved by the linker to a Slit16, where  
 Slit16 ∈ [-32768 ... +32767].

Operation:           Condition = !C  
 If (Condition)  
                   (PC + 2) + 2 \* Slit16 →PC  
                   NOP →Instruction Register

Status Affected:    None

Encoding:	0011	1001	nnnn	nnnn	nnnn	nnnn
-----------	------	------	------	------	------	------

Description:           If the Carry flag is '0', then the program will branch relative to the next PC. The offset of the branch is the two's complement number '2 \* Slit16', which supports branches up to 32K instructions forward or backward. The Slit16 value is resolved by the linker from the supplied label, absolute address or expression.

If the branch is taken, the new address will be (PC + 2) + 2 \* Slit16, since the PC will have incremented to fetch the next instruction. The instruction then becomes a two-cycle instruction, with a NOP executed in the second cycle.

The 'n' bits are a signed literal that specifies the number of instructions offset from (PC + 2).

**Note :**    This instruction is identical to the BRA NC, Expr (Branch if Not Carry) instruction and has the same encoding. It will reverse assemble as BRA NC, Slit16.

Words:                1

Cycles:                1 (2 if branch taken) – PIC24F, PIC24H, dsPIC30F, dsPIC33F

1 (4 if branch taken) – PIC24E, dsPIC33E

```

Example 1:    002000 HERE:        BRA LTU, BYPASS            ; If LTU, branch to BYPASS
                   002002 NO_LTU:    . . .                        ; otherwise... continue
                   002004            . . .
                   002006            . . .
                   002008            . . .
                   00200A            GOTO THERE
                   00200C BYPASS:    . . .
                   00200E            . . .
  
```

	Before Instruction		After Instruction
PC	00 2000		00 2002
SR	0001 (C = 1)		0001 (C = 1)

# Section 5. Instruction Descriptions

## BRA N

Branch if Negative

Implemented in:	PIC24F	PIC24H	PIC24E	dsPIC30F	dsPIC33F	dsPIC33E
	X	X	X	X	X	X

Syntax: {label;} BRA N, Expr

Operands: Expr may be a label, absolute address or expression.  
Expr is resolved by the linker to a Slit16, where  
Slit16 ∈ [-32768 ... +32767].

Operation: Condition = N  
If (Condition)  
(PC + 2) + 2 \* Slit16 → PC  
NOP → Instruction Register.

Status Affected: None

Encoding:	0011	0011	nnnn	nnnn	nnnn	nnnn
-----------	------	------	------	------	------	------

Description: If the Negative flag is '1', then the program will branch relative to the next PC. The offset of the branch is the two's complement number '2 \* Slit16', which supports branches up to 32K instructions forward or backward. The Slit16 value is resolved by the linker from the supplied label, absolute address or expression.

If the branch is taken, the new address will be (PC + 2) + 2 \* Slit16, since the PC will have incremented to fetch the next instruction. The instruction then becomes a two-cycle instruction, with a NOP executed in the second cycle.

The 'n' bits are a signed literal that specifies the number of instructions offset from (PC + 2).

Words: 1

Cycles: 1 (2 if branch taken) – PIC24F, PIC24H, dsPIC30F, dsPIC33F

1 (4 if branch taken) – PIC24E, dsPIC33E

Example 1:

```

002000 HERE:    BRA N, BYPASS          ; If N, branch to BYPASS
002002 NO_N:   . . .                ; Otherwise... continue
002004         . . .
002006         . . .
002008         . . .
00200A         GOTO THERE
00200C BYPASS: . . .
00200E         . . .
    
```

	Before Instruction	After Instruction
PC	00 2000	00 200C
SR	0008 (N = 1)	0008 (N = 1)

## BRA NC

Branch if Not Carry

Implemented in:	PIC24F	PIC24H	PIC24E	dsPIC30F	dsPIC33F	dsPIC33E
	X	X	X	X	X	X

Syntax: {label;} BRA NC, Expr

Operands: Expr may be a label, absolute address or expression.  
Expr is resolved by the linker to a Slit16, where  
Slit16 ∈ [-32768 ... +32767].

Operation: Condition = !C  
If (Condition)  
(PC + 2) + 2 \* Slit16 → PC  
NOP → Instruction Register

Status Affected: None

Encoding:	0011	1001	nnnn	nnnn	nnnn	nnnn
-----------	------	------	------	------	------	------

Description: If the Carry flag is '0', then the program will branch relative to the next PC. The offset of the branch is the two's complement number '2 \* Slit16', which supports branches up to 32K instructions forward or backward. The Slit16 value is resolved by the linker from the supplied label, absolute address or expression.

If the branch is taken, the new address will be (PC + 2) + 2 \* Slit16, since the PC will have incremented to fetch the next instruction. The instruction then becomes a two-cycle instruction, with a NOP executed in the second cycle.

The 'n' bits are a signed literal that specifies the number of instructions offset from (PC + 2).

Words: 1

Cycles: 1 (2 if branch taken) – PIC24F, PIC24H, dsPIC30F, dsPIC33F

1 (4 if branch taken) – PIC24E, dsPIC33E

Example 1:

```

002000 HERE:   BRA NC, BYPASS           ; If NC, branch to BYPASS
002002 NO_NC: . . .                ; Otherwise... continue
002004         . . .
002006         . . .
002008         . . .
00200A         GOTO THERE
00200C BYPASS: . . .
00200E         . . .
    
```

	Before Instruction		After Instruction
PC	00 2000		00 2002
SR	0001	(C = 1)	0001

# Section 5. Instruction Descriptions

## BRA NN

Branch if Not Negative

Implemented in:	PIC24F	PIC24H	PIC24E	dsPIC30F	dsPIC33F	dsPIC33E
	X	X	X	X	X	X

Syntax: {label;} BRA NN, Expr

Operands: Expr may be a label, absolute address or expression.  
Expr is resolved by the linker to a Slit16, where  
 $Slit16 \in [-32768 \dots +32767]$ .

Operation: Condition = !N  
If (Condition)  
 $(PC + 2) + 2 * Slit16 \rightarrow PC$   
NOP  $\rightarrow$  Instruction Register

Status Affected: None

Encoding:	0011	1011	nnnn	nnnn	nnnn	nnnn
-----------	------	------	------	------	------	------

Description: If the Negative flag is '0', then the program will branch relative to the next PC. The offset of the branch is the two's complement number '2 \* Slit16', which supports branches up to 32K instructions forward or backward. The Slit16 value is resolved by the linker from the supplied label, absolute address or expression.

If the branch is taken, the new address will be  $(PC + 2) + 2 * Slit16$ , since the PC will have incremented to fetch the next instruction. The instruction then becomes a two-cycle instruction, with a NOP executed in the second cycle.

The 'n' bits are a signed literal that specifies the number of instructions offset from  $(PC + 2)$ .

Words: 1

Cycles: 1 (2 if branch taken) – PIC24F, PIC24H, dsPIC30F, dsPIC33F

1 (4 if branch taken) – PIC24E, dsPIC33E

```

Example 1: 002000 HERE:   BRA NN, BYPASS      ; If NN, branch to BYPASS
              002002 NO_NN: . . .                ; Otherwise... continue
              002004      . . .
              002006      . . .
              002008      . . .
              00200A      GOTO THERE
              00200C BYPASS: . . .
              00200E      . . .
    
```

	Before Instruction	After Instruction
PC	00 2000	00 200C
SR	0000	0000

## BRA NOV Branch if Not Overflow

Implemented in:	PIC24F	PIC24H	PIC24E	dsPIC30F	dsPIC33F	dsPIC33E
	X	X	X	X	X	X

Syntax:            {label;}    BRA            NOV,            Expr

Operands:           Expr may be a label, absolute address or expression.  
Expr is resolved by the linker to a Slit16, where  
Slit16 ∈ [-32768 ... +32767].

Operation:           Condition = !OV  
If (Condition)  
    (PC + 2) + 2 \* Slit16 →PC  
    NOP →Instruction Register

Status Affected:    None

Encoding:	0011	1000	nnnn	nnnn	nnnn	nnnn
-----------	------	------	------	------	------	------

Description:           If the Overflow flag is '0', then the program will branch relative to the next PC. The offset of the branch is the two's complement number '2 \* Slit16', which supports branches up to 32K instructions forward or backward. The Slit16 value is resolved by the linker from the supplied label, absolute address or expression.

If the branch is taken, the new address will be (PC + 2) + 2 \* Slit16, since the PC will have incremented to fetch the next instruction. The instruction then becomes a two-cycle instruction, with a NOP executed in the second cycle.

The 'n' bits are a signed literal that specifies the number of instructions offset from (PC + 2).

Words:                1

Cycles:               1 (2 if branch taken) – PIC24F, PIC24H, dsPIC30F, dsPIC33F

1 (4 if branch taken) – PIC24E, dsPIC33E

Example 1:

```

002000 HERE:        BRA NOV, BYPASS            ; If NOV, branch to BYPASS
002002 NO_NOV:     . . .                                            ; Otherwise... continue
002004             . . .
002006             . . .
002008             . . .
00200A             GOTO THERE
00200C BYPASS:     . . .
00200E             . . .
    
```

Before Instruction	After Instruction
PC 00 2000	PC 00 200C
SR 0008 (N = 1)	SR 0008 (N = 1)



# Section 5. Instruction Descriptions

## BRA NZ

Branch if Not Zero

Implemented in:	PIC24F	PIC24H	PIC24E	dsPIC30F	dsPIC33F	dsPIC33E
	X	X	X	X	X	X

Syntax: {label;} BRA NZ, Expr

Operands: Expr may be a label, absolute address or expression.  
Expr is resolved by the linker to a Slit16, where  
Slit16  $\in$  [-32768 ... +32767].

Operation: Condition = !Z  
If (Condition)  
(PC + 2) + 2 \* Slit16  $\rightarrow$ PC  
NOP  $\rightarrow$ Instruction Register

Status Affected: None

Encoding:	0011	1010	nnnn	nnnn	nnnn	nnnn
-----------	------	------	------	------	------	------

Description: If the Z flag is '0', then the program will branch relative to the next PC. The offset of the branch is the two's complement number '2 \* Slit16', which supports branches up to 32K instructions forward or backward. The Slit16 value is resolved by the linker from the supplied label, absolute address or expression.

If the branch is taken, the new address will be (PC + 2) + 2 \* Slit16, since the PC will have incremented to fetch the next instruction. The instruction then becomes a two-cycle instruction, with a NOP executed in the second cycle.

The 'n' bits are a signed literal that specifies the number of instructions offset from (PC + 2).

Words: 1

Cycles: 1 (2 if branch taken) – PIC24F, PIC24H, dsPIC30F, dsPIC33F

1 (4 if branch taken) – PIC24E, dsPIC33E

```

Example 1: 002000 HERE:   BRA NZ, BYPASS           ; If NZ, branch to BYPASS
            002002 NO_NZ: . . .                   ; Otherwise... continue
            002004         . . .
            002006         . . .
            002008         . . .
            00200A         GOTO THERE
            00200C BYPASS: . . .
            00200E         . . .
    
```

	Before Instruction		After Instruction
PC	00 2000		00 2002
SR	0002 (Z = 1)		0002 (Z = 1)

## BRA OA

Branch if Overflow Accumulator A

Implemented in:	PIC24F	PIC24H	PIC24E	dsPIC30F	dsPIC33F	dsPIC33E
				X	X	X

Syntax: {label;} BRA OA, Expr

Operands: Expr may be a label, absolute address or expression.  
Expr is resolved by the linker to a Slit16, where  
Slit16 ∈ [-32768 ... +32767].

Operation: Condition = OA  
If (Condition)  
(PC + 2) + 2 \* Slit16 → PC  
NOP → Instruction Register

Status Affected: None

Encoding:	0000	1100	nnnn	nnnn	nnnn	nnnn
-----------	------	------	------	------	------	------

Description: If the Overflow Accumulator A flag is '1', then the program will branch relative to the next PC. The offset of the branch is the two's complement number '2 \* Slit16', which supports branches up to 32K instructions forward or backward. The Slit16 value is resolved by the linker from the supplied label, absolute address or expression.

If the branch is taken, the new address will be (PC + 2) + 2 \* Slit16, since the PC will have incremented to fetch the next instruction. The instruction then becomes a two-cycle instruction, with a NOP executed in the second cycle.

The 'n' bits are a signed literal that specifies the number of instructions offset from (PC + 2).

**Note:** The assembler will convert the specified label into the offset to be used.

Words: 1

Cycles: 1 (2 if branch taken) – dsPIC30F, dsPIC33F

1 (4 if branch taken) – dsPIC33E

Example 1:

```

002000 HERE:    BRA OA, BYPASS          ; If OA, branch to BYPASS
002002 NO_OA:  . . .                  ; Otherwise... continue
002004          . . .
002006          . . .
002008          . . .
00200A          GOTO THERE
00200C BYPASS: . . .
00200E          . . .
    
```

Before Instruction		After Instruction	
PC	00 2000	PC	00 200C
SR	8800	SR	8800
		(OA, OAB = 1)	

# Section 5. Instruction Descriptions

## BRA OB

Branch if Overflow Accumulator B

Implemented in:	PIC24F	PIC24H	PIC24E	dsPIC30F	dsPIC33F	dsPIC33E
				X	X	X

Syntax: {label;} BRA OB, Expr

Operands: Expr may be a label, absolute address or expression.  
Expr is resolved by the linker to a Slit16, where  
Slit16 ∈ [-32768 ... +32767].

Operation: Condition = OB  
If (Condition)  
(PC + 2) + 2 \* Slit16 → PC  
NOP → Instruction Register

Status Affected: None

Encoding:	0000	1101	nnnn	nnnn	nnnn	nnnn
-----------	------	------	------	------	------	------

Description: If the Overflow Accumulator B flag is '1', then the program will branch relative to the next PC. The offset of the branch is the two's complement number '2 \* Slit16', which supports branches up to 32K instructions forward or backward. The Slit16 value is resolved by the linker from the supplied label, absolute address or expression.

If the branch is taken, the new address will be (PC + 2) + 2 \* Slit16, since the PC will have incremented to fetch the next instruction. The instruction then becomes a two-cycle instruction, with a NOP executed in the second cycle.

The 'n' bits are a signed literal that specifies the number of instructions offset from (PC + 2).

Words: 1

Cycles: 1 (2 if branch taken) – dsPIC30F, dsPIC33F

1 (4 if branch taken) – dsPIC33E

```

Example 1: 002000 HERE:    BRA OB, BYPASS          ; If OB, branch to BYPASS
           002002 NO_OB: . . .                ; Otherwise... continue
           002004         . . .
           002006         . . .
           002008         . . .
           00200A         GOTO THERE
           00200C BYPASS: . . .
           00200E         . . .
    
```

	Before Instruction		After Instruction
PC	00 2000	PC	00 2002
SR	8800 (OA, OAB = 1)	SR	8800 (OA, OAB = 1)

## BRA OV

Branch if Overflow

Implemented in:	PIC24F	PIC24H	PIC24E	dsPIC30F	dsPIC33F	dsPIC33E
	X	X	X	X	X	X

Syntax: {label;} BRA OV, Expr

Operands: Expr may be a label, absolute address or expression.  
Expr is resolved by the linker to a Slit16, where  
Slit16  $\in$  [-32768 ... +32767].

Operation: Condition = OV  
If (Condition)  
(PC + 2) + 2 \* Slit16  $\rightarrow$  PC  
NOP  $\rightarrow$  Instruction Register

Status Affected: None

Encoding:	0011	0000	nnnn	nnnn	nnnn	nnnn
-----------	------	------	------	------	------	------

Description: If the Overflow flag is '1', then the program will branch relative to the next PC. The offset of the branch is the two's complement number '2 \* Slit16', which supports branches up to 32K instructions forward or backward. The Slit16 value is resolved by the linker from the supplied label, absolute address or expression.

If the branch is taken, the new address will be (PC + 2) + 2 \* Slit16, since the PC will have incremented to fetch the next instruction. The instruction then becomes a two-cycle instruction, with a NOP executed in the second cycle.

The 'n' bits are a signed literal that specifies the number of instructions offset from (PC + 2).

Words: 1

Cycles: 1 (2 if branch taken) – PIC24F, PIC24H, dsPIC30F, dsPIC33F

1 (4 if branch taken) – PIC24E, dsPIC33E

Example 1:

```

002000 HERE:   BRA OV, BYPASS           ; If OV, branch to BYPASS
002002 NO_OV  . . .                 ; Otherwise... continue
002004        . . .
002006        . . .
002008        . . .
00200A        GOTO THERE
00200C BYPASS: . . .
00200E        . . .
    
```

	Before Instruction		After Instruction
PC	00 2000		PC 00 2002
SR	0002 (Z = 1)		SR 0002 (Z = 1)

# Section 5. Instruction Descriptions

## BRA SA

Branch if Saturation Accumulator A

Implemented in:	PIC24F	PIC24H	PIC24E	dsPIC30F	dsPIC33F	dsPIC33E
				X	X	X

Syntax: {label;} BRA SA, Expr

Operands: Expr may be a label, absolute address or expression.  
Expr is resolved by the linker to a Slit16, where  
Slit16 ∈ [-32768 ... +32767].

Operation: Condition = SA  
If (Condition)  
(PC + 2) + 2 \* Slit16 → PC  
NOP → Instruction Register

Status Affected: None

Encoding:	0000	1110	nnnn	nnnn	nnnn	nnnn
-----------	------	------	------	------	------	------

Description: If the Saturation Accumulator A flag is '1', then the program will branch relative to the next PC. The offset of the branch is the two's complement number '2 \* Slit16', which supports branches up to 32K instructions forward or backward. The Slit16 value is resolved by the linker from the supplied label, absolute address or expression.

If the branch is taken, the new address will be (PC + 2) + 2 \* Slit16, since the PC will have incremented to fetch the next instruction. The instruction then becomes a two-cycle instruction, with a NOP executed in the second cycle.

The 'n' bits are a signed literal that specifies the number of instructions offset from (PC + 2).

Words: 1

Cycles: 1 (2 if branch taken) – dsPIC30F, dsPIC33F

1 (4 if branch taken) – dsPIC33E

```

Example 1: 002000 HERE:    BRA SA, BYPASS          ; If SA, branch to BYPASS
           002002 NO_SA:  . . .                    ; Otherwise... continue
           002004         . . .
           002006         . . .
           002008         . . .
           00200A         GOTO THERE
           00200C BYPASS:  . . .
           00200E         . . .
    
```

	Before Instruction	After Instruction
PC	00 2000	00 200C
SR	2400 (SA, SAB = 1)	2400 (SA, SAB = 1)

## BRA SB

Branch if Saturation Accumulator B

Implemented in:	PIC24F	PIC24H	PIC24E	dsPIC30F	dsPIC33F	dsPIC33E
				X	X	X

Syntax: {label;} BRA SB, Expr

Operands: Expr may be a label, absolute address or expression.  
Expr is resolved by the linker to a Slit16, where  
Slit16  $\in$  [-32768 ... +32767].

Operation: Condition = SB  
if (Condition)  
(PC + 2) + 2 \* Slit16  $\rightarrow$  PC  
NOP  $\rightarrow$  Instruction Register

Status Affected: None

Encoding:	0000	1111	nnnn	nnnn	nnnn	nnnn
-----------	------	------	------	------	------	------

Description: If the Saturation Accumulator B flag is '1', then the program will branch relative to the next PC. The offset of the branch is the two's complement number '2 \* Slit16', which supports branches up to 32K instructions forward or backward. The Slit16 value is resolved by the linker from the supplied label, absolute address or expression.

If the branch is taken, the new address will be (PC + 2) + 2 \* Slit16, since the PC will have incremented to fetch the next instruction. The instruction then becomes a two-cycle instruction, with a NOP executed in the second cycle.

The 'n' bits are a signed literal that specifies the number of instructions offset from (PC + 2).

Words: 1

Cycles: 1 (2 if branch taken) – dsPIC30F, dsPIC33F

1 (4 if branch taken) – dsPIC33E

Example 1:

```

002000 HERE:    BRA SB, BYPASS          ; If SB, branch to BYPASS
002002 NO_SB:  . . .                ; Otherwise... continue
002004         . . .
002006         . . .
002008         . . .
00200A         GOTO THERE
00200C BYPASS: . . .
00200E         . . .
    
```

	Before Instruction	After Instruction
PC	00 2000	00 2002
SR	0000	0000

# Section 5. Instruction Descriptions

## BRA Z

### Branch if Zero

Implemented in:	PIC24F	PIC24H	PIC24E	dsPIC30F	dsPIC33F	dsPIC33E
	X	X	X	X	X	X

Syntax:            {label;}    BRA            Z,            Expr

Operands:           Expr may be a label, absolute address or expression.  
 Expr is resolved by the linker to a Slit16, where  
 Slit16 ∈ [-32768 ... +32767].

Operation:           Condition = Z  
 if (Condition)  
                   (PC + 2) + 2 \* Slit16 → PC  
                   NOP → Instruction Register

Status Affected:    None

Encoding:	0011	0010	nnnn	nnnn	nnnn	nnnn
-----------	------	------	------	------	------	------

Description:           If the Zero flag is '1', then the program will branch relative to the next PC. The offset of the branch is the two's complement number '2 \* Slit16', which supports branches up to 32K instructions forward or backward. The Slit16 value is resolved by the linker from the supplied label, absolute address or expression.

If the branch is taken, the new address will be (PC + 2) + 2 \* Slit16, since the PC will have incremented to fetch the next instruction. The instruction then becomes a two-cycle instruction, with a NOP executed in the second cycle.

The 'n' bits are a signed literal that specifies the number of instructions offset from (PC + 2).

Words:                1

Cycles:                1 (2 if branch taken) – PIC24F, PIC24H, dsPIC30F, dsPIC33F  
 1 (4 if branch taken) – PIC24E, dsPIC33E

```

Example 1: 002000 HERE:        BRA Z, BYPASS                    ; If Z, branch to BYPASS
           002002 NO_Z:        . . .                                ; Otherwise... continue
           002004                . . .
           002006                . . .
           002008                . . .
           00200A                GOTO THERE
           00200C BYPASS:        . . .
           00200E                . . .
  
```

	Before		After
Instruction	Instruction	Instruction	Instruction
PC	00 2000	PC	00 200C
SR	0002 (Z = 1)	SR	0002 (Z = 1)

## BSET

Bit Set f

Implemented in:	PIC24F	PIC24H	PIC24E	dsPIC30F	dsPIC33F	dsPIC33E
	X	X	X	X	X	X

Syntax: {label:} BSET{.B} f, #bit4

Operands: f ∈ [0 ... 8191] for byte operation  
 f ∈ [0 ... 8190] (even only) for word operation  
 bit4 ∈ [0 ... 7] for byte operation  
 bit4 ∈ [0 ... 15] for word operation

Operation: 1 →f<bit4>

Status Affected: None

Encoding:	1010	1000	bbbf	ffff	ffff	ffff
-----------	------	------	------	------	------	------

Description: Set the bit in the file register 'f' specified by 'bit4'. Bit numbering begins with the Least Significant bit (bit 0) and advances to the Most Significant bit (bit 7 for byte operations, bit 15 for word operations).

The 'b' bits select value bit4 of the bit position to be set.  
 The 'f' bits select the address of the file register.

- Note 1:** The extension .B in the instruction denotes a byte operation rather than a word operation. You may use a .W extension to denote a word operation, but it is not required.
- 2:** When this instruction operates in Word mode, the file register address must be word-aligned.
- 3:** When this instruction operates in Byte mode, 'bit4' must be between 0 and 7.

Words: 1

Cycles: 1<sup>(1)</sup>

**Note 1:** In dsPIC33E and PIC24E devices, the listed cycle count does not apply to read and read-modify-write operations on non-CPU Special Function Registers. For more details, see **Note 3** in [Section 3.2.1 "Multi-Cycle Instructions"](#).

Example 1: BSET.B 0x601, #0x3 ; Set bit 3 in 0x601

	Before Instruction	After Instruction
Data 0600	F234	FA34
SR	0000	0000

Example 2: BSET 0x444, #0xF ; Set bit 15 in 0x444

	Before Instruction	After Instruction
Data 0444	5604	D604
SR	0000	0000



### BSET Bit Set in Ws

Implemented in:	PIC24F	PIC24H	PIC24E	dsPIC30F	dsPIC33F	dsPIC33E
	X	X	X	X	X	X

Syntax:             {label;}     BSET{.B}   Ws,             #bit4  
    [Ws],  
    [Ws++],  
    [Ws--],  
    [++Ws],  
    [--Ws],

Operands:            Ws  $\in$  [W0 ... W15]  
                           bit4  $\in$  [0 ... 7] for byte operation  
                           bit4  $\in$  [0 ... 15] for word operation

Operation:           1  $\rightarrow$ Ws<bit4>

Status Affected:   None

Encoding:	1010	0000	bbbb	0B00	0ppp	ssss
-----------	------	------	------	------	------	------

Description:         Set the bit in register Ws specified by 'bit4'. Bit numbering begins with the Least Significant bit (bit 0) and advances to the Most Significant bit (bit 7 for byte operations, bit 15 for word operations). Register direct or indirect addressing may be used for Ws.

The 'b' bits select value bit4 of the bit position to be cleared.  
 The 'B' bit selects byte or word operation ('0' for word, '1' for byte).  
 The 'p' bits select the source Address mode.  
 The 's' bits select the source/destination register.

- Note 1:** The extension .B in the instruction denotes a byte operation rather than a word operation. You may use a .W extension to denote a word operation, but it is not required.
- 2:** When this instruction operates in Word mode, the source register address must be word-aligned.
- 3:** When this instruction operates in Byte mode, 'bit4' must be between 0 and 7.
- 4:** In dsPIC33E and PIC24E devices, this instruction uses the DSRPAG register for indirect address generation in Extended Data Space.

Words:               1

Cycles:              1<sup>(1)</sup>

**Note 1:** In dsPIC33E and PIC24E devices, the listed cycle count does not apply to read and read-modify-write operations on non-CPU Special Function Registers. For more details, see **Note 3** in [Section 3.2.1 "Multi-Cycle Instructions"](#).

# 16-bit MCU and DSC Programmer's Reference Manual

---

Example 1:      BSET.B W3, #0x7                      ; Set bit 7 in W3

	Before Instruction	After Instruction
W3	0026	00A6
SR	0000	0000

Example 2:      BSET [W4++], #0x0                      ; Set bit 0 in [W4]  
   ; Post-increment W4

	Before Instruction	After Instruction
W4	6700	6702
Data 6700	1734	1735
SR	0000	0000

# Section 5. Instruction Descriptions

## BSW

### Bit Write in Ws

Implemented in:	PIC24F	PIC24H	PIC24E	dsPIC30F	dsPIC33F	dsPIC33E
	X	X	X	X	X	X

Syntax: {label;} BSW.C Ws, Wb  
 BSW.Z [Ws],  
 [Ws++],  
 [Ws--],  
 [++Ws],  
 [--Ws],

Operands: Ws ∈ [W0 ... W15]  
 Wb ∈ [W0 ... W15]

Operation: For ".C" operation:  
 C →Ws<(Wb)>  
For ".Z" operation (default):  
 Z →Ws<(Wb)>

Status Affected: None

Encoding:	1010	1101	Zwww	w000	0ppp	ssss
-----------	------	------	------	------	------	------

Description: The (Wb) bit in register Ws is written with the value of the C or Z flag from the STATUS register. Bit numbering begins with the Least Significant bit (bit 0) and advances to the Most Significant bit (bit 15) of the working register. Only the four Least Significant bits of Wb are used to determine the destination bit number. Register direct addressing must be used for Wb, and either register direct, or indirect addressing may be used for Ws.

The 'Z' bit selects the C or Z flag as source.  
 The 'w' bits select the address of the bit select register.  
 The 'p' bits select the source Address mode.  
 The 's' bits select the source register.

**Note:** This instruction only operates in Word mode. If no extension is provided, the ".Z" operation is assumed.

Words: 1  
 Cycles: 1<sup>(1)</sup>

**Note 1:** In dsPIC33E and PIC24E devices, the listed cycle count does not apply to read and read-modify-write operations on non-CPU Special Function Registers. For more details, see **Note 3** in [Section 3.2.1 "Multi-Cycle Instructions"](#).

Example 1: BSW.C W2, W3 ; Set bit W3 in W2 to the value  
 ; of the C bit

	Before	After
Instruction		
W2	F234	7234
W3	111F	111F
SR	0002 (Z = 1, C = 0)	0002 (Z = 1, C = 0)

# 16-bit MCU and DSC Programmer's Reference Manual

---

Example 2: BSW.Z W2, W3 ; Set bit W3 in W2 to the complement  
; of the Z bit

Before Instruction		After Instruction	
W2	E235	W2	E234
W3	0550	W3	0550
SR	0002 (Z = 1, C = 0)	SR	0002 (Z = 1, C = 0)

Example 3: BSW.C [++W0], W6 ; Set bit W6 in [W0++] to the value  
; of the C bit

Before Instruction		After Instruction	
W0	1000	W0	1002
W6	34A3	W6	34A3
Data 1002	2380	Data 1002	2388
SR	0001 (Z = 0, C = 1)	SR	0001 (Z = 0, C = 1)

Example 4: BSW.Z [W1--], W5 ; Set bit W5 in [W1] to the  
; complement of the Z bit  
; Post-decrement W1

Before Instruction		After Instruction	
W1	1000	W1	0FFE
W5	888B	W5	888B
Data 1000	C4DD	Data 1000	CCDD
SR	0001 (C = 1)	SR	0001 (C = 1)

# Section 5. Instruction Descriptions

## BTG

### Bit Toggle f

Implemented in:	PIC24F	PIC24H	PIC24E	dsPIC30F	dsPIC33F	dsPIC33E
	X	X	X	X	X	X

Syntax: {label:} BTG{.B} f, #bit4

Operands: f ∈ [0 ... 8191] for byte operation  
 f ∈ [0 ... 8190] (even only) for word operation  
 bit4 ∈ [0 ... 7] for byte operation  
 bit4 ∈ [0 ... 15] for word operation

Operation:  $(f)\langle\text{bit4}\rangle \rightarrow \neg(f)\langle\text{bit4}\rangle$

Status Affected: None

Encoding:	1010	1010	bbbf	ffff	ffff	ffff
-----------	------	------	------	------	------	------

Description: Bit 'bit4' in file register 'f' is toggled (complemented). For the bit4 operand, bit numbering begins with the Least Significant bit (bit 0) and advances to the Most Significant bit (bit 7 for byte operation, bit 15 for word operation) of the byte.

The 'b' bits select value bit4, the bit position to toggle.  
 The 'f' bits select the address of the file register.

- Note 1:** The extension .B in the instruction denotes a byte operation rather than a word operation. You may use a .W extension to denote a word operation, but it is not required.
- 2:** When this instruction operates in Word mode, the file register address must be word-aligned.
- 3:** When this instruction operates in Byte mode, 'bit4' must be between 0 and 7.

Words: 1

Cycles: 1<sup>(1)</sup>

**Note 1:** In dsPIC33E and PIC24E devices, the listed cycle count does not apply to read and read-modify-write operations on non-CPU Special Function Registers. For more details, see **Note 3** in [Section 3.2.1 "Multi-Cycle Instructions"](#).

Example 1: BTG.B 0x1001, #0x4 ; Toggle bit 4 in 0x1001

	Before Instruction		After Instruction
Data 1000	F234	Data 1000	E234
SR	0000	SR	0000

Example 2: BTG 0x1660, #0x8 ; Toggle bit 8 in RAM660

	Before Instruction		After Instruction
Data 1660	5606	Data 1660	5706
SR	0000	SR	0000

## BTG

### Bit Toggle in Ws

Implemented in:	PIC24F	PIC24H	PIC24E	dsPIC30F	dsPIC33F	dsPIC33E
	X	X	X	X	X	X

Syntax: {label:} BTG{.B} Ws, #bit4  
 [Ws],  
 [Ws++],  
 [Ws--],  
 [++Ws],  
 [--Ws],

Operands: Ws ∈ [W0 ... W15]  
 bit4 ∈ [0 ... 7] for byte operation  
 bit4 ∈ [0 ... 15] for word operation

Operation:  $\overline{(Ws)\langle bit4 \rangle} \rightarrow Ws\langle bit4 \rangle$

Status Affected: None

Encoding:	1010	0010	bbbb	0B00	0ppp	ssss
-----------	------	------	------	------	------	------

Description: Bit 'bit4' in register Ws is toggled (complemented). For the bit4 operand, bit numbering begins with the Least Significant bit (bit 0) and advances to the Most Significant bit (bit 7 for byte operations, bit 15 for word operations). Register direct or indirect addressing may be used for Ws.

The 'b' bits select value bit4, the bit position to test.  
 The 'B' bit selects byte or word operation ('0' for word, '1' for byte).  
 The 's' bits select the source/destination register.  
 The 'p' bits select the source Address mode.

**Note 1:** The extension .B in the instruction denotes a byte operation rather than a word operation. You may use a .W extension to denote a word operation, but it is not required.

**2:** When this instruction operates in Word mode, the source register address must be word-aligned.

**3:** When this instruction operates in Byte mode, 'bit4' must be between 0 and 7.

**4:** In dsPIC33E and PIC24E devices, this instruction uses the DSRPAG register for indirect address generation in Extended Data Space.

Words: 1

Cycles: 1<sup>(1)</sup>

**Note 1:** In dsPIC33E and PIC24E devices, the listed cycle count does not apply to read and read-modify-write operations on non-CPU Special Function Registers. For more details, see **Note 3** in [Section 3.2.1 "Multi-Cycle Instructions"](#).

Example 1: BTG W2, #0x0 ; Toggle bit 0 in W2

	Before Instruction	After Instruction
W2	F234	F235
SR	0000	0000

## Section 5. Instruction Descriptions

---

Example 2:    BTG   [W0++], #0x0                    ; Toggle bit 0 in [W0]  
   ; Post-increment W0

Before		After	
	Instruction		Instruction
W0	2300	W0	2302
Data 2300	5606	Data 2300	5607
SR	0000	SR	0000

## BTSC

Bit Test f, Skip if Clear

Implemented in:	PIC24F	PIC24H	PIC24E	dsPIC30F	dsPIC33F	dsPIC33E
	X	X	X	X	X	X

Syntax: {label:} BTSC{.B} f, #bit4

Operands: f ∈ [0 ... 8191] for byte operation  
 f ∈ [0 ... 8190] (even only) for word operation  
 bit4 ∈ [0 ... 7] for byte operation  
 bit4 ∈ [0 ... 15] for word operation

Operation: Test (f)<bit4>, skip if clear

Status Affected: None

Encoding:	1010	1111	bbbf	ffff	ffff	ffff
-----------	------	------	------	------	------	------

Description: Bit 'bit4' in the file register is tested. If the tested bit is '0', the next instruction (fetched during the current instruction execution) is discarded and on the next cycle, a NOP is executed instead. If the tested bit is '1', the next instruction is executed as normal. In either case, the contents of the file register are not changed. For the bit4 operand, bit numbering begins with the Least Significant bit (bit 0) and advances to the Most Significant bit (bit 7 for byte operations, bit 15 for word operations).

The 'b' bits select value bit4, the bit position to test.

The 'f' bits select the address of the file register.

- Note 1:** The extension .B in the instruction denotes a byte operation rather than a word operation. You may use a .W extension to denote a word operation, but it is not required.
- 2:** When this instruction operates in Word mode, the file register address must be word-aligned.
- 3:** When this instruction operates in Byte mode, 'bit4' must be between 0 and 7.

Words: 1

Cycles: 1 (2 or 3)<sup>(1)</sup>

**Note 1:** In dsPIC33E and PIC24E devices, the listed cycle count does not apply to read and read-modify-write operations on non-CPU Special Function Registers. For more details, see **Note 3** in [Section 3.2.1 "Multi-Cycle Instructions"](#).

Example 1:

```

002000 HERE:  BTSC.B 0x1201, #2 ; If bit 2 of 0x1201 is 0,
002002        GOTO  BYPASS  ; skip the GOTO
002004        . . .
002006        . . .
002008 BYPASS: . . .
00200A        . . .
    
```

	Before Instruction	After Instruction
PC	00 2000	00 2002
Data 1200	264F	264F
SR	0000	0000



## Section 5. Instruction Descriptions

---

Example 2:    002000 HERE:    BTSC    0x804, #14    ; If bit 14 of 0x804 is 0,  
                 002002            GOTO    BYPASS        ; skip the GOTO  
                 002004            . . .  
                 002006            . . .  
                 002008 BYPASS:    . . .  
                 00200A            . . .

Before		After	
Instruction		Instruction	
PC	00 2000	PC	00 2006
Data 0804	2647	Data 0804	2647
SR	0000	SR	0000

## BTSC

### Bit Test Ws, Skip if Clear

Implemented in:	PIC24F	PIC24H	PIC24E	dsPIC30F	dsPIC33F	dsPIC33E
	X	X	X	X	X	X

Syntax: {label;} BTSC Ws, #bit4  
 [Ws],  
 [Ws++],  
 [Ws--],  
 [++Ws],  
 [--Ws],

Operands: Ws ∈ [W0 ... W15]  
 bit4 ∈ [0 ... 15]

Operation: Test (Ws)<bit4>, skip if clear

Status Affected: None

Encoding:	1010	0111	bbbb	0000	0ppp	ssss
-----------	------	------	------	------	------	------

Description: Bit 'bit4' in Ws is tested. If the tested bit is '0', the next instruction (fetched during the current instruction execution) is discarded and on the next cycle, a NOP is executed instead. If the tested bit is '1', the next instruction is executed as normal. In either case, the contents of Ws are not changed. For the bit4 operand, bit numbering begins with the Least Significant bit (bit 0) and advances to the Most Significant bit (bit 15) of the word. Either register direct or indirect addressing may be used for Ws.

The 'b' bits select value bit4, the bit position to test.

The 'p' bits select the source Address mode.

The 's' bits select the source register.

**Note:** This instruction operates in Word mode only.

Words: 1

Cycles: 1 (2 or 3 if the next instruction is skipped)<sup>(1)</sup>

**Note 1:** In dsPIC33E and PIC24E devices, the listed cycle count does not apply to read and read-modify-write operations on non-CPU Special Function Registers. For more details, see **Note 3** in [Section 3.2.1 "Multi-Cycle Instructions"](#).

Example 1:

```

002000 HERE:   BTSC   W0, #0x0      ; If bit 0 of W0 is 0,
002002         GOTO   BYPASS   ; skip the GOTO
002004         . . .
002006         . . .
002008 BYPASS: . . .
00200A         . . .

```

	Before Instruction
PC	00 2000
W0	264F
SR	0000

	After Instruction
PC	00 2002
W0	264F
SR	0000

## Section 5. Instruction Descriptions

---

Example 2:

```

002000 HERE:   BTSC   W6, #0xF      ; If bit 15 of W6 is 0,
002002         GOTO   BYPASS      ; skip the GOTO
002004         . . .
002006         . . .
002008 BYPASS: . . .
00200A         . . .
    
```

	Before Instruction		After Instruction
PC	00 2000		00 2006
W6	264F		264F
SR	0000		0000

Example 3:

```

003400 HERE:   BTSC   [W6++], #0xC ; If bit 12 of [W6] is 0,
003402         GOTO   BYPASS      ; skip the GOTO
003404         . . .                ; Post-increment W6
003406         . . .
003408 BYPASS: . . .
00340A         . . .
    
```

	Before Instruction		After Instruction
PC	00 3400		00 3402
W6	1800		1802
Data 1800	1000		1000
SR	0000		0000

## BTSS

Bit Test f, Skip if Set

Implemented in:	PIC24F	PIC24H	PIC24E	dsPIC30F	dsPIC33F	dsPIC33E
	X	X	X	X	X	X

Syntax: {label;} BTSS{.B} f, #bit4

Operands: f ∈ [0 ... 8191] for byte operation  
 f ∈ [0 ... 8190] (even only) for word operation  
 bit4 ∈ [0 ... 7] for byte operation  
 bit4 ∈ [0 ... 15] for word operation

Operation: Test (f)<bit4>, skip if set

Status Affected: None

Encoding:	1010	1110	bbbf	ffff	ffff	ffff
-----------	------	------	------	------	------	------

Description: Bit 'bit4' in the file register 'f' is tested. If the tested bit is '1', the next instruction (fetched during the current instruction execution) is discarded and on the next cycle, a NOP is executed instead. If the tested bit is '0', the next instruction is executed as normal. In either case, the contents of the file register are not changed. For the bit4 operand, bit numbering begins with the Least Significant bit (bit 0) and advances to the Most Significant bit (bit 7 for byte operation, bit 15 for word operation).

The 'b' bits select value bit4, the bit position to test.

The 'f' bits select the address of the file register.

**Note 1:** The extension .B in the instruction denotes a byte operation rather than a word operation. You may use a .W extension to denote a word operation, but it is not required.

**2:** When this instruction operates in Word mode, the file register address must be word-aligned.

**3:** When this instruction operates in Byte mode, 'bit4' must be between 0 and 7.

Words: 1

Cycles: 1 (2 or 3 if the next instruction is skipped)<sup>(1)</sup>

**Note 1:** In dsPIC33E and PIC24E devices, the listed cycle count does not apply to read and read-modify-write operations on non-CPU Special Function Registers. For more details, see **Note 3** in [Section 3.2.1 "Multi-Cycle Instructions"](#).

## Section 5. Instruction Descriptions

---

Example 1:    007100 HERE:    BTSS.B    0x1401, #0x1    ; If bit 1 of 0x1401 is 1,  
                  007102           CLR        WREG                ; don't clear WREG  
                  007104           . . .

Before Instruction		After Instruction	
	PC	00 7100	00 7104
Data 1400	0280	0280	0280
SR	0000	0000	0000

Example 2:    007100 HERE:    BTSS        0x890, #0x9    ; If bit 9 of 0x890 is 1,  
                  007102           GOTO        BYPASS           ; skip the GOTO  
                  007104           . . .  
                  007106 BYPASS:    . . .

Before Instruction		After Instruction	
	PC	00 7100	00 7102
Data 0890	00FE	00FE	00FE
SR	0000	0000	0000

## BTSS

### Bit Test Ws, Skip if Set

Implemented in:	PIC24F	PIC24H	PIC24E	dsPIC30F	dsPIC33F	dsPIC33E
	X	X	X	X	X	X

Syntax:            {label:}    BTSS        Ws,            #bit4  
    [Ws],  
    [Ws++],  
    [Ws--],  
    [++Ws],  
    [--Ws],

Operands:          Ws  $\in$  [W0 ... W15]  
    bit4  $\in$  [0 ... 15]

Operation:          Test (Ws)<bit4>, skip if set.

Status Affected:    None

Encoding:	1010	0110	bbbb	0000	0ppp	ssss
-----------	------	------	------	------	------	------

Description:        Bit 'bit4' in Ws is tested. If the tested bit is '1', the next instruction (fetched during the current instruction execution) is discarded and on the next cycle, a NOP is executed instead. If the tested bit is '0', the next instruction is executed as normal. In either case, the contents of Ws are not changed. For the bit4 operand, bit numbering begins with the Least Significant bit (bit 0) and advances to the Most Significant bit (bit 15) of the word. Either register direct or indirect addressing may be used for Ws.

The 'b' bits select the value bit4, the bit position to test.

The 's' bits select the source register.

The 'p' bits select the source Address mode.

**Note:** This instruction operates in Word mode only.

Words:              1

Cycles:              1 (2 or 3 if the next instruction is skipped)<sup>(1)</sup>

**Note 1:** In dsPIC33E and PIC24E devices, the listed cycle count does not apply to read and read-modify-write operations on non-CPU Special Function Registers. For more details, see **Note 3** in [Section 3.2.1 "Multi-Cycle Instructions"](#).

```
Example 1: 002000 HERE:    BTSS        W0, #0x0            ; If bit 0 of W0 is 1,  
             002002            GOTO        BYPASS            ; skip the GOTO  
             002004            . . .  
             002006            . . .  
             002008 BYPASS:    . . .  
             00200A            . . .
```

	Before Instruction	After Instruction		
PC	<table border="1"><tr><td>00 2000</td></tr></table>	00 2000	<table border="1"><tr><td>00 2006</td></tr></table>	00 2006
00 2000				
00 2006				
W0	<table border="1"><tr><td>264F</td></tr></table>	264F	<table border="1"><tr><td>264F</td></tr></table>	264F
264F				
264F				
SR	<table border="1"><tr><td>0000</td></tr></table>	0000	<table border="1"><tr><td>0000</td></tr></table>	0000
0000				
0000				

## Section 5. Instruction Descriptions

Example 2:

```

002000 HERE:   BTSS   W6, #0xF      ; If bit 15 of W6 is 1,
002002         GOTO   BYPASS      ; skip the GOTO
002004         . . .
002006         . . .
002008 BYPASS: . . .
00200A         . . .
    
```

	Before Instruction		After Instruction
PC	00 2000		00 2002
W6	264F		264F
SR	0000		0000

Example 3:

```

003400 HERE:   BTSS   [W6++], 0xC ; If bit 12 of [W6] is 1,
003402         GOTO   BYPASS      ; skip the GOTO
003404         . . .                ; Post-increment W6
003406         . . .
003408 BYPASS: . . .
00340A         . . .
    
```

	Before Instruction		After Instruction
PC	00 3400		00 3406
W6	1800		1802
Data 1800	1000		1000
SR	0000		0000

## BTST

### Bit Test f

Implemented in:	PIC24F	PIC24H	PIC24E	dsPIC30F	dsPIC33F	dsPIC33E
	X	X	X	X	X	X

Syntax: {label:} BTST{.B} f, #bit4

Operands:  $f \in [0 \dots 8191]$  for byte operation  
 $f \in [0 \dots 8190]$  (even only) for word operation  
 $bit4 \in [0 \dots 7]$  for byte operation  
 $bit4 \in [0 \dots 15]$  for word operation

Operation:  $\overline{(f) \langle bit4 \rangle} \rightarrow Z$

Status Affected: Z

Encoding:	1010	1011	bbbf	ffff	ffff	fffb
-----------	------	------	------	------	------	------

Description: Bit 'bit4' in file register 'f' is tested and the complement of the tested bit is stored to the Z flag in the STATUS register. The contents of the file register are not changed. For the bit4 operand, bit numbering begins with the Least Significant bit (bit 0) and advances to the Most Significant bit (bit 7 for byte operation, bit 15 for word operation).

The 'b' bits select value bit4, the bit position to be tested.  
 The 'f' bits select the address of the file register.

- Note 1:** The extension .B in the instruction denotes a byte operation rather than a word operation. You may use a .W extension to denote a word operation, but it is not required.
- 2:** When this instruction operates in Word mode, the file register address must be word-aligned.
- 3:** When this instruction operates in Byte mode, 'bit4' must be between 0 and 7.

Words: 1  
 Cycles: 1(1)

**Note 1:** In dsPIC33E and PIC24E devices, the listed cycle count does not apply to read and read-modify-write operations on non-CPU Special Function Registers. For more details, see **Note 3** in [Section 3.2.1 "Multi-Cycle Instructions"](#).

Example 1: BTST.B 0x1201, #0x3 ; Set Z = complement of  
 ; bit 3 in 0x1201

	Before	After
	Instruction	Instruction
Data 1200	F7FF	F7FF
SR	0000	0002 (Z = 1)

Example 2: BTST 0x1302, #0x7 ; Set Z = complement of  
 ; bit 7 in 0x1302

	Before	After
	Instruction	Instruction
Data 1302	F7FF	F7FF
SR	0002 (Z = 1)	0000



## BTST

### Bit Test in Ws

Implemented in:	PIC24F	PIC24H	PIC24E	dsPIC30F	dsPIC33F	dsPIC33E
	X	X	X	X	X	X

Syntax:            {label:}     BTST.C     Ws,            #bit4  
     BTST.Z     [Ws],  
     [Ws++],  
     [Ws--],  
     [++Ws],  
     [--Ws],

Operands:                 Ws ∈ [W0 ... W15]  
     bit4 ∈ [0 ... 15]

Operation:                For ".C" operation:  
     (Ws)<bit4> →C  
     For ".Z" operation (default):  
     (Ws)<bit4> →Z

Status Affected:        Z or C

Encoding:	1010	0011	bbbb	Z000	0ppp	ssss
-----------	------	------	------	------	------	------

Description:              Bit 'bit4' in register Ws is tested. If the ".Z" option of the instruction is specified, the complement of the tested bit is stored to the Zero flag in the STATUS register. If the ".C" option of the instruction is specified, the value of the tested bit is stored to the Carry flag in the STATUS register. In either case, the contents of Ws are not changed.

For the bit4 operand, bit numbering begins with the Least Significant bit (bit 0) and advances to the Most Significant bit (bit 15) of the word. Either register direct or indirect addressing may be used for Ws.  
 The 'b' bits select value bit4, the bit position to test.  
 The 'Z' bit selects the C or Z flag as destination.  
 The 'p' bits select the source Address mode.  
 The 's' bits select the source register.

**Note:** This instruction only operates in Word mode. If no extension is provided, the ".Z" operation is assumed.

Words:                     1

Cycles:                    1<sup>(1)</sup>

**Note 1:** In dsPIC33E and PIC24E devices, the listed cycle count does not apply to read and read-modify-write operations on non-CPU Special Function Registers. For more details, see **Note 3** in [Section 3.2.1 "Multi-Cycle Instructions"](#).

# 16-bit MCU and DSC Programmer's Reference Manual

---

Example 1: BTST.C [W0++], #0x3 ; Set C = bit 3 in [W0]  
; Post-increment W0

Before Instruction		After Instruction	
W0	1200	W0	1202
Data 1200	FFF7	Data 1200	FFF7
SR	0001 (C = 1)	SR	0000

Example 2: BTST.Z W0, #0x7 ; Set Z = complement of bit 7 in W0

Before Instruction		After Instruction	
W0	F234	W0	F234
SR	0000	SR	0002 (Z = 1)

# Section 5. Instruction Descriptions

## BTST

### Bit Test in Ws

Implemented in:	PIC24F	PIC24H	PIC24E	dsPIC30F	dsPIC33F	dsPIC33E
	X	X	X	X	X	X

Syntax: {label:} BTST.C Ws, Wb  
BTST.Z [Ws],  
[Ws++],  
[Ws--],  
[++Ws],  
[--Ws],

Operands: Ws ∈ [W0 ... W15]  
Wb ∈ [W0 ... W15]

Operation: For “.C” operation:  
(Ws)<(Wb)> →C  
For “.Z” operation (default):  
 $\overline{(Ws)<(Wb)>} \rightarrow Z$

Status Affected: Z or C

Encoding:	1010	0101	Zwww	w000	0ppp	ssss
-----------	------	------	------	------	------	------

Description: The (Wb) bit in register Ws is tested. If the “.C” option of the instruction is specified, the value of the tested bit is stored to the Carry flag in the STATUS register. If the “.Z” option of the instruction is specified, the complement of the tested bit is stored to the Zero flag in the STATUS register. In either case, the contents of Ws are not changed.

Only the four Least Significant bits of Wb are used to determine the bit number. Bit numbering begins with the Least Significant bit (bit 0) and advances to the Most Significant bit (bit 15) of the working register. Register direct or indirect addressing may be used for Ws.

The ‘Z’ bit selects the C or Z flag as destination.  
The ‘w’ bits select the address of the bit select register.  
The ‘p’ bits select the source Address mode.  
The ‘s’ bits select the source register.

**Note:** This instruction only operates in Word mode. If no extension is provided, the “.Z” operation is assumed.

Words: 1

Cycles: 1(1)

**Note 1:** In dsPIC33E and PIC24E devices, the listed cycle count does not apply to read and read-modify-write operations on non-CPU Special Function Registers. For more details, see **Note 3** in [Section 3.2.1 “Multi-Cycle Instructions”](#).



## BTSTS

### Bit Test/Set f

Implemented in:	PIC24F	PIC24H	PIC24E	dsPIC30F	dsPIC33F	dsPIC33E
	X	X	X	X	X	X

Syntax:                    {label:}    BTSTS{.B} f,                    #bit4

Operands:                f ∈ [0 ... 8191] for byte operation  
                               f ∈ [0 ... 8190] (even only) for word operation  
                               bit4 ∈ [0 ... 7] for byte operation  
                               bit4 ∈ [0 ... 15] for word operation

Operation:                (f)<bit4> →Z  
                               1 →(f)<bit4>

Status Affected:        Z

Encoding:	1010	1100	bbbf	ffff	ffff	ffffb
-----------	------	------	------	------	------	-------

Description:              Bit 'bit4' in file register 'f' is tested and the complement of the tested bit is stored to the Zero flag in the STATUS register. The tested bit is then set to '1' in the file register. For the bit4 operand, bit numbering begins with the Least Significant bit (bit 0) and advances to the Most Significant bit (bit 7 for byte operations, bit 15 for word operations).

The 'b' bits select value bit4, the bit position to test/set.  
 The 'f' bits select the address of the file register.

- Note 1:** The extension .B in the instruction denotes a byte operation rather than a word operation. You may use a .W extension to denote a word operation, but it is not required.
- 2:** When this instruction operates in Word mode, the file register address must be word-aligned.
- 3:** When this instruction operates in Byte mode, 'bit4' must be between 0 and 7.
- 4:** The file register 'f' must not be the CPU Status register (SR).

Words:                    1

Cycles:                   1<sup>(1)</sup>

**Note 1:** In dsPIC33E and PIC24E devices, the listed cycle count does not apply to read and read-modify-write operations on non-CPU Special Function Registers. For more details, see **Note 3** in [Section 3.2.1 "Multi-Cycle Instructions"](#).

# 16-bit MCU and DSC Programmer's Reference Manual

---

Example 1: BTSTS.B 0x1201, #0x3 ; Set Z = complement of bit 3 in 0x1201,  
; then set bit 3 of 0x1201 = 1

Before		After	
Instruction		Instruction	
Data 1200	F7FF	Data 1200	FFFF
SR	0000	SR	0002 (Z = 1)

Example 2: BTSTS 0x808, #15 ; Set Z = complement of bit 15 in 0x808,  
; then set bit 15 of 0x808 = 1

Before		After	
Instruction		Instruction	
RAM300	8050	RAM300	8050
SR	0002 (Z = 1)	SR	0000

## Section 5. Instruction Descriptions

### BTSTS

#### Bit Test/Set in *Ws*

Implemented in:	PIC24F	PIC24H	PIC24E	dsPIC30F	dsPIC33F	dsPIC33E
	X	X	X	X	X	X

Syntax:            {label:}    BTSTS.C    *Ws*,            #bit4  
    BTSTS.Z    [*Ws*],  
    [*Ws*++],  
    [*Ws*--],  
    [*W*++*Ws*],  
    [*W*--*Ws*],

Operands:        *Ws* ∈ [*W0* ... *W15*]  
    bit4 ∈ [0 ... 15]

Operation:        For “.C” operation:  
    (*Ws*)<bit4> →C  
    1 →*Ws*<bit4>  
    For “.Z” operation (default):  
    (*Ws*)<bit4> →Z  
    1 →*Ws*<bit4>

Status Affected:    Z or C

Encoding:	1010	0100	bbbb	Z000	0ppp	ssss
-----------	------	------	------	------	------	------

Description:        Bit ‘bit4’ in register *Ws* is tested. If the “.Z” option of the instruction is specified, the complement of the tested bit is stored to the Zero flag in the STATUS register. If the “.C” option of the instruction is specified, the value of the tested bit is stored to the Carry flag in the STATUS register. In both cases, the tested bit in *Ws* is set to ‘1’.

The ‘b’ bits select the value bit4, the bit position to test/set.

The ‘Z’ bit selects the C or Z flag as destination.

The ‘p’ bits select the source Address mode.

The ‘s’ bits select the source register.

**Note 1:** This instruction only operates in Word mode. If no extension is provided, the “.Z” operation is assumed.

**2:** If *Ws* is used as a pointer, it must not contain the address of the CPU Status register (SR).

**3:** In dsPIC33E and PIC24E devices, this instruction uses the DSRPAG register for indirect address generation in Extended Data Space.

Words:            1

Cycles:            1<sup>(1)</sup>

**Note 1:** In dsPIC33E and PIC24E devices, the listed cycle count does not apply to read and read-modify-write operations on non-CPU Special Function Registers. For more details, see **Note 3** in [Section 3.2.1 “Multi-Cycle Instructions”](#).

# 16-bit MCU and DSC Programmer's Reference Manual

---

---

Example 1: BTSTS.C [W0++], #0x3 ; Set C = bit 3 in [W0]  
; Set bit 3 in [W0] = 1  
; Post-increment W0

Before Instruction		After Instruction	
W0	1200	W0	1202
Data 1200	FFF7	Data 1200	FFFF
SR	0001 (C = 1)	SR	0000

Example 2: BTSTS.Z W0, #0x7 ; Set Z = complement of bit 7  
; in W0, and set bit 7 in W0 = 1

Before Instruction		After Instruction	
W0	F234	W0	F2BC
SR	0000	SR	0002 (Z = 1)



# Section 5. Instruction Descriptions

## CALL

### Call Subroutine

Implemented in:	PIC24F	PIC24H	PIC24E	dsPIC30F	dsPIC33F	dsPIC33E
	X	X		X	X	

Syntax: {label;} CALL Expr

Operands: Expr may be a label or expression (but not a literal).  
Expr is resolved by the linker to a lit23, where lit23 ∈ [0 ... 8388606].

Operation:  
(PC) + 4 → PC  
(PC<15:0>) → (TOS)  
(W15) + 2 → W15  
(PC<23:16>) → (TOS)  
(W15) + 2 → W15  
lit23 → PC  
NOP → Instruction Register

Status Affected: None

Encoding:

1st word

0000	0010	nnnn	nnnn	nnnn	nnn0
------	------	------	------	------	------

2nd word

0000	0000	0000	0000	0nnn	nnnn
------	------	------	------	------	------

Description: Direct subroutine call over the entire 4-Mbyte instruction program memory range. Before the CALL is made, the 24-bit return address (PC + 4) is PUSHed onto the stack. After the return address is stacked, the 23-bit value 'lit23' is loaded into the PC.

The 'n' bits form the target address.

**Note:** The linker will resolve the specified expression into the lit23 to be used.

Words: 2

Cycles: 2

**Example 1:**

```

026000      CALL  _FIR                ; Call _FIR subroutine
026004      MOV   W0, W1
.           .
.           .
026844 _FIR: MOV   #0x400, W2          ; _FIR subroutine start
026846      ...
    
```

	Before Instruction	After Instruction
PC	02 6000	02 6844
W15	A268	A26C
Data A268	FFFF	6004
Data A26A	FFFF	0002
SR	0000	0000

# 16-bit MCU and DSC Programmer's Reference Manual

Example 2:

```

072000      CALL    _G66      ; call routine _G66
072004      MOV     W0, W1
.
.
077A28 _G66: INC     W6, [W7++] ; routine start
077A2A      ...
077A2C
    
```

	Before Instruction		After Instruction
PC	07 2000	PC	07 7A28
W15	9004	W15	9008
Data 9004	FFFF	Data 9004	2004
Data 9006	FFFF	Data 9006	0007
SR	0000	SR	0000

## CALL Call Subroutine

Implemented in:	PIC24F	PIC24H	PIC24E	dsPIC30F	dsPIC33F	dsPIC33E
			X			X

Syntax:            {label;}    CALL        Expr

Operands:           Expr may be a label or expression (but not a literal).  
Expr is resolved by the linker to a lit23, where lit23 ∈ [0 ... 8388606].

Operation:

```

(PC) + 4 →PC
(PC<15:1>) →TOS<15:1>, SFA bit →TOS<0>
(W15) + 2 →W15
(PC<23:16>) →TOS
(W15) + 2 →W15
0 →SFA bit
lit23 →PC
NOP →Instruction Register
    
```

Status Affected:    SFA

Encoding:

1st word	0000	0010	nnnn	nnnn	nnnn	nnn0
2nd word	0000	0000	0000	0000	0nnn	nnnn

Description:        Direct subroutine call over the entire 4-Mbyte instruction program memory range. Before the CALL is made, the 24-bit return address (PC + 4) is PUSHed onto the stack. After the return address is stacked, the 23-bit value 'lit23' is loaded into the PC.

The 'n' bits form the target address.

**Note:**            The linker will resolve the specified expression into the lit23 to be used.

Words:                2

Cycles:               4

# Section 5. Instruction Descriptions

Example 1:

```

026000      CALL  _FIR           ; Call _FIR subroutine
026004      MOV   W0, W1
.           ...
.           ...
026844 _FIR: MOV   #0x400, W2    ; _FIR subroutine start
026846      ...
    
```

Before Instruction		After Instruction	
PC	02 6000	PC	02 6844
W15	A268	W15	A26C
Data A268	FFFF	Data A268	6004
Data A26A	FFFF	Data A26A	0002
SR	0000	SR	0000

Example 2:

```

072000      CALL  _G66           ; call routine _G66
072004      MOV   W0, W1
.           ...
.           ...
077A28 _G66: INC   W6, [W7++]    ; routine start
077A2A      ...
077A2C
    
```

Before Instruction		After Instruction	
PC	07 2000	PC	07 7A28
W15	9004	W15	9008
Data 9004	FFFF	Data 9004	2004
Data 9006	FFFF	Data 9006	0007
SR	0000	SR	0000

## CALL

### Call Indirect Subroutine

Implemented in:	PIC24F	PIC24H	PIC24E	dsPIC30F	dsPIC33F	dsPIC33E
	X	X		X	X	

Syntax:            {label;}    CALL        Wn

Operands:         Wn ∈ [W0 ... W15]

Operation:        (PC) + 2 →PC  
(PC<15:0>) →TOS  
(W15) + 2 →W15  
(PC<23:16>) →TOS  
(W15) + 2 →W15  
0 →PC<22:16>  
(Wn<15:1>) →PC<15:1>  
NOP →Instruction Register

Status Affected:   None

Encoding:	0000	0001	0000	0000	0000	ssss
-----------	------	------	------	------	------	------

Description:       Indirect subroutine call over the first 32K instructions of program memory. Before the CALL is made, the 24-bit return address (PC + 2) is PUSHed onto the stack. After the return address is stacked, Wn<15:1> is loaded into PC<15:1> and PC<22:16> is cleared. Since PC<0> is always '0', Wn<0> is ignored.

The 's' bits select the source register.

Words:            1

Cycles:           2

```

Example 1: 001002       CALL  W0                ; Call B00T subroutine indirectly
              001004       ...                    ; using W0
              .            ...
              001600  _B00T: MOV #0x400, W2       ; _B00T starts here
              001602       MOV #0x300, W6
              .            ...
    
```

	Before Instruction	After Instruction
PC	00 1002	00 1600
W0	1600	1600
W15	6F00	6F04
Data 6F00	FFFF	1004
Data 6F02	FFFF	0000
SR	0000	0000

## Section 5. Instruction Descriptions

```

Example 2: 004200      CALL  W7          ; Call TEST subroutine indirectly
              004202      ...            ; using W7
              .
              .
              005500  _TEST: INC   W1, W2    ; _TEST starts here
              005502      DEC   W1, W3    ;
              .
              .
              .
    
```

	Before Instruction		After Instruction
PC	00 4200		PC 00 5500
W7	5500		W7 5500
W15	6F00		W15 6F04
Data 6F00	FFFF		Data 6F00 4202
Data 6F02	FFFF		Data 6F02 0000
SR	0000		SR 0000

### CALL Call Indirect Subroutine

Implemented in:	PIC24F	PIC24H	PIC24E	dsPIC30F	dsPIC33F	dsPIC33E
			X			X

Syntax:            {label;}    CALL        Wn

Operands:        Wn ∈ [W0 ... W15]

Operation:

- (PC) + 2 →PC
- (PC<15:1>) →TOS, SFA bit →TOS<0>
- (W15) + 2 →W15
- (PC<23:16>) →TOS
- (W15) + 2 →W15
- 0 →SFA bit
- 0 →PC<22:16>
- (Wn<15:1>) →PC<15:1>
- NOP →Instruction Register

Status Affected:    SFA

Encoding:	0000	0001	0000	0000	0000	ssss
-----------	------	------	------	------	------	------

Description:        Indirect subroutine call over the first 32K instructions of program memory. Before the CALL is made, the 24-bit return address (PC + 2) is PUSHed onto the stack. After the return address is stacked, Wn<15:1> is loaded into PC<15:1> and PC<22:16> is cleared. Since PC<0> is always '0', Wn<0> is ignored.

The 's' bits select the source register.

Words:            1

Cycles:           4

# 16-bit MCU and DSC Programmer's Reference Manual

---

```

Example 1: 001002      CALL W0          ; Call BOOT subroutine indirectly
           001004      ...              ; using W0
           .
           001600 _BOOT: MOV #0x400, W2  ; _BOOT starts here
           001602      MOV #0x300, W6
           .
           .
           .
    
```

Before Instruction		After Instruction	
PC	00 1002	PC	00 1600
W0	1600	W0	1600
W15	6F00	W15	6F04
Data 6F00	FFFF	Data 6F00	1004
Data 6F02	FFFF	Data 6F02	0000
SR	0000	SR	0000

```

Example 2: 004200      CALL W7          ; Call TEST subroutine indirectly
           004202      ...              ; using W7
           .
           005500 _TEST: INC W1, W2     ; _TEST starts here
           005502      DEC W1, W3
           .
           .
           .
    
```

Before Instruction		After Instruction	
PC	00 4200	PC	00 5500
W7	5500	W7	5500
W15	6F00	W15	6F04
Data 6F00	FFFF	Data 6F00	4202
Data 6F02	FFFF	Data 6F02	0000
SR	0000	SR	0000

# Section 5. Instruction Descriptions

## CALL.L

### Call Indirect Subroutine Long

Implemented in:	PIC24F	PIC24H	PIC24E	dsPIC30F	dsPIC33F	dsPIC33E
			X			X

Syntax: {label;} CALL.L Wn

Operands:  $Wn \in [W0, W2, W4, W6, W8, W10, W12]$

Operation:  
 (PC)+2 →PC,  
 (PC<15:1>) →TOS<15:1>, SFA bit →TOS<0>  
 (W15)+2 →W15  
 (PC<23:16>) →TOS,  
 (W15)+2 →W15  
 0 →SFA bit,  
 PC<23> →PC<23> (see text); (Wn+1)<6:0> →PC<22:16>; (Wn) →PC<15:0>  
 NOP →Instruction Register

Status Affected: SFA

Encoding:	0000	0001	1www	w000	0000	ssss
-----------	------	------	------	------	------	------

Description: Indirect subroutine call to any User program memory address. First, return address (PC+2) and the state of the Stack Frame Active bit (SFA) is pushed onto the system stack, after which the SFA bit is cleared. Then, the LS 7-bits of (Wn+1) are loaded in PC<22:16>, and the 16-bit value (Wn) is loaded into PC<15:0>. PC<23> is not modified by this instruction. The contents of (Wn+1)<15:7> are ignored. The value of Wn<0> is also ignored and PC<0> is always set to 0. The 's' bits specify the address of the Wn source register. The 'w' bits specify the address of the Wn+1 source register.

Words: 1

Cycles: 4

**Example 1:**

```

026000      CALL.L W4                ; Call _FIR subroutine
026004      MOV     W0, W1
.           .
.           .
026844 _FIR: MOV     #0x400, W2      ; _FIR subroutine start
026846      ...
    
```

	Before Instruction	After Instruction
PC	02 6000	02 6844
W4	6844	6844
W5	0002	0002
W15	A268	A26C
Data A268	FFFF	6004
Data A26A	FFFF	0002
SR	0000	0000

## CLR

Clear f or WREG

Implemented in:	PIC24F	PIC24H	PIC24E	dsPIC30F	dsPIC33F	dsPIC33E
	X	X	X	X	X	X

Syntax:            {label:}   CLR{.B}    f  
  WREG

Operands:          f ∈ [0 ... 8191]

Operation:         0 →destination designated by D

Status Affected:   None

Encoding:	1110	1111	0Bdf	ffff	ffff	ffff
-----------	------	------	------	------	------	------

Description:       Clear the contents of a file register or the default working register WREG. If WREG is specified, the WREG is cleared. Otherwise, the specified file register 'f' is cleared.

The 'B' bit selects byte or word operation ('0' for word, '1' for byte).

The 'D' bit selects the destination ('0' for WREG, '1' for file register).

The 'f' bits select the address of the file register.

**Note 1:** The extension .B in the instruction denotes a byte operation rather than a word operation. You may use a .W extension to denote a word operation, but it is not required.

**2:** The WREG is set to working register W0.

Words:             1

Cycles:            1

Example 1:       CLR.B RAM200            ; Clear RAM200 (Byte mode)

	Before Instruction		After Instruction
RAM200	8009	RAM200	8000
SR	0000	SR	0000

Example 2:       CLR    WREG            ; Clear WREG (Word mode)

	Before Instruction		After Instruction
WREG	0600	WREG	0000
SR	0000	SR	0000



# Section 5. Instruction Descriptions

## CLR

Clear Wd

Implemented in:	PIC24F	PIC24H	PIC24E	dsPIC30F	dsPIC33F	dsPIC33E
	X	X	X	X	X	X

Syntax:            {label;}   CLR{.B}   Wd  
   [Wd]  
   [Wd++]  
   [Wd--]  
   [++Wd]  
   [--Wd]

Operands:           Wd ∈ [W0 ... W15]

Operation:          0 → Wd

Status Affected:   None

Encoding:	1110	1011	0Bqq	qddd	d000	0000
-----------	------	------	------	------	------	------

Description:        Clear the contents of register Wd. Either register direct or indirect addressing may be used for Wd.

The 'B' bit select byte or word operation ('0' for word, '1' for byte).

The 'q' bits select the destination Address mode.

The 'd' bits select the destination register.

**Note:** The extension .B in the instruction denotes a byte operation rather than a word operation. You may use a .W extension to denote a word operation, but it is not required.

Words:             1

Cycles:            1

Example 1:       CLR.B W2                   ; Clear W2 (Byte mode)

	Before Instruction	After Instruction
W2	3333	3300
SR	0000	0000

Example 2:       CLR   [W0++]           ; Clear [W0]  
   ; Post-increment W0

	Before Instruction	After Instruction
W0	2300	2302
Data 2300	5607	0000
SR	0000	0000

## CLR

### Clear Accumulator, Prefetch Operands

Implemented in:	PIC24F	PIC24H	PIC24E	dsPIC30F	dsPIC33F	dsPIC33E
				X	X	X

Syntax:  
{label:} CLR          Acc    {,[Wx],Wxd}          {,[Wy],Wyd}          {,AWB}

{,[Wx] += kx,Wxd}    {,[Wy] += ky,Wyd}  
 {,[Wx] -= kx,Wxd}    {,[Wy] -= ky,Wyd}  
 {,[W9 + W12],Wxd}    {,[W11 + W12],Wyd}

Operands:          Acc ∈ [A,B]  
                      Wx ∈ [W8, W9]; kx ∈ [-6, -4, -2, 2, 4, 6]; Wxd ∈ [W4 ... W7]  
                      Wy ∈ [W10, W11]; ky ∈ [-6, -4, -2, 2, 4, 6]; Wyd ∈ [W4 ... W7]  
                      AWB ∈ [W13, [W13] + = 2]

Operation:          0 →Acc(A or B)  
                      ([Wx]) →Wxd; (Wx) +/- kx →Wx  
                      ([Wy]) →Wyd; (Wy) +/- ky →Wy  
                      (Acc(B or A)) rounded →AWB

Status Affected:    OA, OB, SA, SB

Encoding:	1100	0011	A0xx	yyii	iijj	jjaa
-----------	------	------	------	------	------	------

Description:          Clear all 40 bits of the specified accumulator, optionally prefetch operands in preparation for a MAC type instruction and optionally store the non-specified accumulator results. This instruction clears the respective overflow and saturate flags (either OA, SA or OB, SB).

Operands Wx, Wxd, Wy and Wyd specify optional prefetch operations, which support indirect and register offset addressing, as described in [Section 4.14.1 "MAC Prefetches"](#). Operand AWB specifies the optional register direct or indirect store of the convergently rounded contents of the "other" accumulator, as described in [Section 4.14.4 "MAC Write Back"](#).

The 'A' bit selects the other accumulator used for write back.  
 The 'x' bits select the prefetch Wxd destination.  
 The 'y' bits select the prefetch Wyd destination.  
 The 'i' bits select the Wx prefetch operation.  
 The 'j' bits select the Wy prefetch operation.  
 The 'a' bits select the accumulator Write Back destination.

Words:                1  
 Cycles:               1

# Section 5. Instruction Descriptions

Example 1: CLR A, [W8]+=2, W4, W13 ; Clear ACCA  
 ; Load W4 with [W8], post-inc W8  
 ; Store ACCB to W13

Before Instruction		After Instruction	
W4	F001	W4	1221
W8	2000	W8	2002
W13	C623	W13	5420
ACCA	00 0067 2345	ACCA	00 0000 0000
ACCB	00 5420 3BDD	ACCB	00 5420 3BDD
Data 2000	1221	Data 2000	1221
SR	0000	SR	0000

Example 2: CLR B, [W8]+=2, W6, [W10]+=2, W7, [W13]+=2 ; Clear ACCB  
 ; Load W6 with [W8]  
 ; Load W7 with [W10]  
 ; Save ACCA to [W13]  
 ; Post-inc W8,W10,W13

Before Instruction		After Instruction	
W6	F001	W6	1221
W7	C783	W7	FF80
W8	2000	W8	2002
W10	3000	W10	3002
W13	4000	W13	4002
ACCA	00 0067 2345	ACCA	00 0067 2345
ACCB	00 5420 ABDD	ACCB	00 0000 0000
Data 2000	1221	Data 2000	1221
Data 3000	FF80	Data 3000	FF80
Data 4000	FFC3	Data 4000	0067
SR	0000	SR	0000

## CLRWDT

Clear Watchdog Timer

Implemented in:	PIC24F	PIC24H	PIC24E	dsPIC30F	dsPIC33F	dsPIC33E
	X	X	X	X	X	X

Syntax:            {label;}   CLRWDT

Operands:           None

Operation:           0 →WDT count register  
                       0 →WDT prescaler A count  
                       0 →WDT prescaler B count

Status Affected:   None

Encoding:	1111	1110	0110	0000	0000	0000
-----------	------	------	------	------	------	------

Description:        Clear the contents of the Watchdog Timer count register and the prescaler count registers. The Watchdog Prescaler A and Prescaler B settings, set by configuration fuses in the FWDT, are not changed.

Words:              1

Cycles:             1

Example 1:       CLRWDT       ; Clear Watchdog Timer

	Before Instruction	After Instruction
SR	0000	0000

# Section 5. Instruction Descriptions

## COM

Complement f

Implemented in:	PIC24F	PIC24H	PIC24E	dsPIC30F	dsPIC33F	dsPIC33E
	X	X	X	X	X	X

Syntax: {label:} COM{.B} f {,WREG}

Operands:  $f \in [0 \dots 8191]$

Operation:  $\overline{(f)}$  → destination designated by D

Status Affected: N, Z

Encoding:	1110	1110	1BDf	ffff	ffff	ffff
-----------	------	------	------	------	------	------

Description: Compute the 1's complement of the contents of the file register and place the result in the destination register. The optional WREG operand determines the destination register. If WREG is specified, the result is stored in WREG. If WREG is not specified, the result is stored in the file register.

The 'B' bit selects byte or word operation ('0' for word, '1' for byte).

The 'D' bit selects the destination ('0' for WREG, '1' for file register).

The 'f' bits select the address of the file register.

**Note 1:** The extension .B in the instruction denotes a byte operation rather than a word operation. You may use a .W extension to denote a word operation, but it is not required.

**2:** The WREG is set to working register W0.

Words: 1

Cycles: 1<sup>(1)</sup>

**Note 1:** In dsPIC33E and PIC24E devices, the listed cycle count does not apply to read and read-modify-write operations on non-CPU Special Function Registers. For more details, see **Note 3** in [Section 3.2.1 "Multi-Cycle Instructions"](#).

Example 1: COM.b RAM200 ; COM RAM200 (Byte mode)

	Before	After
	Instruction	Instruction
RAM200	80FF	8000
SR	0000	0002 (Z)

Example 2: COM RAM400, WREG ; COM RAM400 and store to WREG  
; (Word mode)

	Before	After
	Instruction	Instruction
WREG	1211	F7DC
RAM400	0823	0823
SR	0000	0008 (N = 1)

# 16-bit MCU and DSC Programmer's Reference Manual

## COM

### Complement Ws

Implemented in:	PIC24F	PIC24H	PIC24E	dsPIC30F	dsPIC33F	dsPIC33E
	X	X	X	X	X	X

Syntax:                {label:}   COM{.B}   Ws,            Wd  
   [Ws],         [Wd]  
   [Ws++],      [Wd++]  
   [Ws--],      [Wd--]  
   [++Ws],      [++Wd]  
   [--Ws],      [--Wd]

Operands:            Ws ∈ [W0 ... W15]  
                           Wd ∈ [W0 ... W15]

Operation:            $\overline{(Ws)} \rightarrow Wd$

Status Affected:    N, Z

Encoding:	1110	1010	1Bqq	qddd	dppp	ssss
-----------	------	------	------	------	------	------

Description:         Compute the 1's complement of the contents of the source register Ws and place the result in the destination register Wd. Either register direct or indirect addressing may be used for both Ws and Wd.

- The 'B' bit selects byte or word operation ('0' for word, '1' for byte).
- The 'q' bits select the destination Address mode.
- The 'd' bits select the destination register.
- The 'p' bits select the source Address mode.
- The 's' bits select the source register.

**Note:** The extension .B in the instruction denotes a byte operation rather than a word operation. You may use a .W extension to denote a word operation, but it is not required.

Words:                1  
 Cycles:               1<sup>(1)</sup>

**Note 1:** In dsPIC33E and PIC24E devices, the listed cycle count does not apply to read and read-modify-write operations on non-CPU Special Function Registers. For more details, see **Note 3** in [Section 3.2.1 "Multi-Cycle Instructions"](#).

Example 1:    COM.B   [W0++], [W1++]                   ; COM [W0] and store to [W1] (Byte mode)  
   ; Post-increment W0, W1

	Before Instruction	After Instruction	
W0	2301	2302	(N = 1)
W1	2400	2401	
Data 2300	5607	5607	
Data 2400	ABCD	ABA9	
SR	0000	0008	

# Section 5. Instruction Descriptions

**Example 2:** `COM W0, [W1++] ; COM W0 and store to [W1] (Word mode)`  
`; Post-increment W1`

Before Instruction		After Instruction	
W0	D004	W0	D004
W1	1000	W1	1002
Data 1000	ABA9	Data 1000	2FFB
SR	0000	SR	0000

## CP

### Compare f with WREG, Set Status Flags

Implemented in:	PIC24F	PIC24H	PIC24E	dsPIC30F	dsPIC33F	dsPIC33E
	X	X	X	X	X	X

Syntax: `{label:} CP{.B} f`

Operands:  $f \in [0 \dots 8191]$

Operation:  $(f) - (WREG)$

Status Affected: DC, N, OV, Z, C

Encoding:	1110	0011	0B0f	ffff	ffff	ffff
-----------	------	------	------	------	------	------

Description: Compute  $(f) - (WREG)$  and update the STATUS register. This instruction is equivalent to the SUBWF instruction, but the result of the subtraction is not stored.

The 'B' bit selects byte or word operation ('0' for word, '1' for byte).

The 'f' bits select the address of the file register.

**Note 1:** The extension .B in the instruction denotes a byte operation rather than a word operation. You may use a .W extension to denote a word operation, but it is not required.

**2:** The WREG is set to working register W0.

Words: 1

Cycles: 1<sup>(1)</sup>

**Note 1:** In dsPIC33E and PIC24E devices, the listed cycle count does not apply to read and read-modify-write operations on non-CPU Special Function Registers. For more details, see **Note 3** in [Section 3.2.1 "Multi-Cycle Instructions"](#).

**Example 1:** `CP.B RAM400 ; Compare RAM400 with WREG (Byte mode)`

Before Instruction		After Instruction	
WREG	8823	WREG	8823
RAM400	0823	RAM400	0823
SR	0000	SR	0003 (C = 1)

**Example 2:** `CP 0x1200 ; Compare (0x1200) with WREG (Word mode)`

Before Instruction		After Instruction	
WREG	2377	WREG	2377
Data 1200	2277	Data 1200	2277
SR	0000	SR	0008 (N = 1)

## CP

### Compare Wb with lit5, Set Status Flags

Implemented in:	PIC24F	PIC24H	PIC24E	dsPIC30F	dsPIC33F	dsPIC33E
	X	X		X	X	

Syntax: {label:} CP{.B} Wb, #lit5

Operands: Wb ∈ [W0 ... W15]  
lit5 ∈ [ 0 ... 31]

Operation: (Wb) – lit5

Status Affected: DC, N, OV, Z, C

Encoding:	1110	0001	0www	wB00	011k	kkkk
-----------	------	------	------	------	------	------

Description: Compute (Wb) – lit5, and update the STATUS register. This instruction is equivalent to the SUB instruction, but the result of the subtraction is not stored. Register direct addressing must be used for Wb.

The 'w' bits select the address of the Wb base register.

The 'B' bit selects byte or word operation ('0' for word, '1' for byte).

The 'k' bits provide the literal operand, a five-bit integer number.

**Note:** The extension .B in the instruction denotes a byte operation rather than a word operation. You may use a .W extension to denote a word operation, but it is not required.

Words: 1

Cycles: 1

Example 1: CP.B W4, #0x12 ; Compare W4 with 0x12 (Byte mode)

	Before Instruction	After Instruction
W4	7711	7711
SR	0000	0008 (N = 1)

Example 2: CP W4, #0x12 ; Compare W4 with 0x12 (Word mode)

	Before Instruction	After Instruction
W4	7713	7713
SR	0000	0001 (C = 1)



# Section 5. Instruction Descriptions

## CP

### Compare Wb with lit8, Set Status Flags

Implemented in:	PIC24F	PIC24H	PIC24E	dsPIC30F	dsPIC33F	dsPIC33E
			X			X

Syntax: {label:} CP{.B} Wb, #lit8

Operands: Wb ∈ [W0 ... W15]  
lit8 ∈ [ 0 ... 255]

Operation: (Wb) – lit8

Status Affected: DC, N, OV, Z, C

Encoding:	1110	0001	0www	wBkk	k11k	kkkk
-----------	------	------	------	------	------	------

Description: Compute (Wb) – lit8, and update the STATUS register. This instruction is equivalent to the SUB instruction, but the result of the subtraction is not stored. Register direct addressing must be used for Wb.

The 'w' bits select the address of the Wb base register.  
The 'B' bit selects byte or word operation ('0' for word, '1' for byte).  
The 'k' bits provide the literal operand, a five-bit integer number.

**Note:** The extension .B in the instruction denotes a byte operation rather than a word operation. You may use a .W extension to denote a word operation, but it is not required.

Words: 1

Cycles: 1

Example 1: CP.B W4, #0x12 ; Compare W4 with 0x12 (Byte mode)

	Before Instruction	After Instruction
W4	7711	7711
SR	0000	0009 (N, C = 1)

Example 2: CP W4, #0x12 ; Compare W4 with 0x12 (Word mode)

	Before Instruction	After Instruction
W4	7713	7713
SR	0000	0001 (C = 1)

## CP

### Compare Wb with Ws, Set Status Flags

Implemented in:	PIC24F	PIC24H	PIC24E	dsPIC30F	dsPIC33F	dsPIC33E
	X	X	X	X	X	X

Syntax:           {label:}   CP{.B}    Wb,       Ws  
   [Ws]  
   [Ws++]  
   [Ws--]  
   [++Ws]  
   [--Ws]

Operands:        Wb ∈ [W0 ... W15]  
                     Ws ∈ [W0 ... W15]

Operation:       (Wb) – (Ws)

Status Affected: DC, N, OV, Z, C

Encoding:	1110	0001	0www	wB00	0ppp	ssss
-----------	------	------	------	------	------	------

Description:     Compute (Wb) – (Ws), and update the STATUS register. This instruction is equivalent to the SUB instruction, but the result of the subtraction is not stored. Register direct addressing must be used for Wb. Register direct or indirect addressing may be used for Ws.

The 'w' bits select the address of the Wb source register.  
 The 'B' bit selects byte or word operation ('0' for word, '1' for byte).  
 The 'p' bits select the source Address mode.  
 The 's' bits select the address of the Ws source register.

**Note:** The extension .B in the instruction denotes a byte operation rather than a word operation. You may use a .W extension to denote a word operation, but it is not required.

Words:           1  
 Cycles:          1<sup>(1)</sup>

**Note 1:** In dsPIC33E and PIC24E devices, the listed cycle count does not apply to read and read-modify-write operations on non-CPU Special Function Registers. For more details, see **Note 3** in [Section 3.2.1 "Multi-Cycle Instructions"](#).

Example 1:    CP.B W0, [W1++]   ; Compare [W1] with W0 (Byte mode)  
   ; Post-increment W1

	Before		After		
	Instruction		Instruction		
W0	ABA9	W0	ABA9		
W1	2000	W1	2001		
Data 2000	D004	Data 2000	D004		
SR	0000	SR	0009	(N, C = 1)	

## Section 5. Instruction Descriptions

---

Example 2: CP W5, W6 ; Compare W6 with W5 (Word mode)

Before Instruction		After Instruction	
W5	2334	W5	2334
W6	8001	W6	8001
SR	0000	SR	000C (N, OV = 1)

## CP0

### Compare f with 0x0, Set Status Flags

Implemented in:	PIC24F	PIC24H	PIC24E	dsPIC30F	dsPIC33F	dsPIC33E
	X	X	X	X	X	X

Syntax: {label;} CP0{.B} f

Operands:  $f \in [0 \dots 8191]$

Operation:  $(f) - 0x0$

Status Affected: DC, N, OV, Z, C

Encoding:	1110	0010	0B0f	ffff	ffff	ffff
-----------	------	------	------	------	------	------

Description: Compute  $(f) - 0x0$  and update the STATUS register. The result of the subtraction is not stored.

The 'B' bit selects byte or word operation ('0' for word, '1' for byte).

The 'f' bits select the address of the file register.

**Note:** The extension .B in the instruction denotes a byte operation rather than a word operation. You may use a .W extension to denote a word operation, but it is not required.

Words: 1

Cycles: 1<sup>(1)</sup>

**Note 1:** In dsPIC33E and PIC24E devices, the listed cycle count does not apply to read and read-modify-write operations on non-CPU Special Function Registers. For more details, see **Note 3** in [Section 3.2.1 "Multi-Cycle Instructions"](#).

Example 1: CP0.B RAM100 ; Compare RAM100 with 0x0 (Byte mode)

	Before Instruction	After Instruction
RAM100	44C3	44C3
SR	0000	0009 (N, C = 1)

Example 2: CP0 0x1FFE ; Compare (0x1FFE) with 0x0 (Word mode)

	Before Instruction	After Instruction
Data 1FFE	0001	0001
SR	0000	0001 (C = 1)

# Section 5. Instruction Descriptions

## CP0

### Compare Ws with 0x0, Set Status Flags

Implemented in:	PIC24F	PIC24H	PIC24E	dsPIC30F	dsPIC33F	dsPIC33E
	X	X	X	X	X	X

Syntax:            {label:}    CP0{.B}    Ws  
    [Ws]  
    [Ws++]  
    [Ws--]  
    [++Ws]  
    [--Ws]

Operands:            Ws ∈ [W0 ... W15]

Operation:            (Ws) – 0x0000

Status Affected:    DC, N, OV, Z, C

Encoding:	1110	0000	0000	0B00	0ppp	ssss
-----------	------	------	------	------	------	------

Description:            Compute (Ws) – 0x0000 and update the STATUS register. The result of the subtraction is not stored. Register direct or indirect addressing may be used for Ws.

The 'B' bit selects byte or word operation ('0' for word, '1' for byte).

The 'p' bits select the source Address mode.

The 's' bits select the address of the Ws source register.

**Note:** The extension .B in the instruction denotes a byte operation rather than a word operation. You may use a .W extension to denote a word operation, but it is not required.

Words:                1

Cycles:               1<sup>(1)</sup>

**Note 1:** In dsPIC33E and PIC24E devices, the listed cycle count does not apply to read and read-modify-write operations on non-CPU Special Function Registers. For more details, see **Note 3** in [Section 3.2.1 “Multi-Cycle Instructions”](#).

**Example 1:**    CP0.B [W4--]    ; Compare [W4] with 0 (Byte mode)  
    ; Post-decrement W4

	Before Instruction		After Instruction	
	W4	1001	W4	1000
Data 1000	0034		Data 1000	0034
SR	0000		SR	0001 (C = 1)

**Example 2:**    CP0    [--W5]    ; Compare [--W5] with 0 (Word mode)

	Before Instruction		After Instruction	
	W5	2400	W5	23FE
Data 23FE	9000		Data 23FE	9000
SR	0000		SR	0009 (N, C = 1)

## CPB

Compare f with WREG using Borrow, Set Status Flags

Implemented in:	PIC24F	PIC24H	PIC24E	dsPIC30F	dsPIC33F	dsPIC33E
	X	X	X	X	X	X

Syntax:            {label:}    CPB{.B}    f

Operands:         $f \in [0 \dots 8191]$

Operation:        $(f) - (WREG) - (\overline{C})$

Status Affected: DC, N, OV, Z, C

Encoding:	1110	0011	1B0f	ffff	ffff	ffff
-----------	------	------	------	------	------	------

Description:     Compute  $(f) - (WREG) - (\overline{C})$ , and update the STATUS register. This instruction is equivalent to the SUBB instruction, but the result of the subtraction is not stored.

The 'B' bit selects byte or word operation ('0' for word, '1' for byte).  
The 'f' bits select the address of the file register.

- Note 1:** The extension .B in the instruction denotes a byte operation rather than a word operation. You may use a .W extension to denote a word operation, but it is not required.
- 2:** The WREG is set to working register W0.
- 3:** The Z flag is "sticky" for ADDC, CPB, SUBB and SUBBR. These instructions can only clear Z.

Words:            1

Cycles:           1(1)

**Note 1:** In dsPIC33E and PIC24E devices, the listed cycle count does not apply to read and read-modify-write operations on non-CPU Special Function Registers. For more details, see **Note 3** in [Section 3.2.1 "Multi-Cycle Instructions"](#).

Example 1:     CPB.B    RAM400   ; Compare RAM400 with WREG using C (Byte mode)

	Before Instruction	After Instruction
WREG	8823	8823
RAM400	0823	0823
SR	0000	0008 (N = 1)

Example 2:     CPB        0x1200   ; Compare (0x1200) with WREG using C (Word mode)

	Before Instruction	After Instruction
WREG	2377	2377
Data 1200	2377	2377
SR	0001 (C = 1)	0001 (C = 1)

# Section 5. Instruction Descriptions

## CPB

Compare Wb with lit5 using Borrow, Set Status Flags

Implemented in:	PIC24F	PIC24H	PIC24E	dsPIC30F	dsPIC33F	dsPIC33E
	X	X		X	X	

Syntax: {label:} CPB{.B} Wb, #lit5

Operands: Wb ∈ [W0 ... W15]  
lit5 ∈ [ 0 ... 31]

Operation: (Wb) – lit5 –  $\overline{C}$

Status Affected: DC, N, OV, Z, C

Encoding:	1110	0001	1www	wB00	011k	kkkk
-----------	------	------	------	------	------	------

Description: Compute (Wb) – lit5 –  $\overline{C}$ , and update the STATUS register. This instruction is equivalent to the SUBB instruction, but the result of the subtraction is not stored. Register direct addressing must be used for Wb.

The 'w' bits select the address of the Wb source register.  
The 'B' bit selects byte or word operation ('0' for word, '1' for byte).  
The 'k' bits provide the literal operand, a five bit integer number.

- Note 1:** The extension .B in the instruction denotes a byte operation rather than a word operation. You may use a .W extension to denote a word operation, but it is not required.
- 2:** The Z flag is "sticky" for ADDC, CPB, SUBB and SUBBR. These instructions can only clear Z.

Words: 1

Cycles: 1

Example 1: CPB.B W4, #0x12 ; Compare W4 with 0x12 using C (Byte mode)

Before		After	
Instruction		Instruction	
W4	7711	W4	7711
SR	0001 (C = 1)	SR	0008 (N = 1)

Example 2: CPB.B W4, #0x12 ; Compare W4 with 0x12 using C (Byte mode)

Before		After	
Instruction		Instruction	
W4	7711	W4	7711
SR	0000	SR	0008 (N = 1)

Example 3: CPB W12, #0x1F ; Compare W12 with 0x1F using C (Word mode)

Before		After	
Instruction		Instruction	
W12	0020	W12	0020
SR	0002 (Z = 1)	SR	0003 (Z, C = 1)

Example 4: CPB W12, #0x1F ; Compare W12 with 0x1F using C (Word mode)

Before		After	
Instruction		Instruction	
W12	0020	W12	0020
SR	0003 (Z, C = 1)	SR	0001 (C = 1)

## CPB

Compare Wb with lit8 using Borrow, Set Status Flags

Implemented in:	PIC24F	PIC24H	PIC24E	dsPIC30F	dsPIC33F	dsPIC33E
			X			X

Syntax: {label:} CPB{.B} Wb, #lit8

Operands: Wb ∈ [W0 ... W15]  
lit8 ∈ [ 0 ... 255]

Operation: (Wb) – lit8 – ( $\overline{C}$ )

Status Affected: DC, N, OV, Z, C

Encoding:	1110	0001	1www	wBkk	k11k	kkkk
-----------	------	------	------	------	------	------

Description: Compute (Wb) – lit8 – ( $\overline{C}$ ), and update the STATUS register. This instruction is equivalent to the SUBB instruction, but the result of the subtraction is not stored. Register direct addressing must be used for Wb.

The 'w' bits select the address of the Wb source register.

The 'B' bit selects byte or word operation ('0' for word, '1' for byte).

The 'k' bits provide the literal operand, a five bit integer number.

**Note 1:** The extension .B in the instruction denotes a byte operation rather than a word operation. You may use a .W extension to denote a word operation, but it is not required.

**2:** The Z flag is "sticky" for ADDC, CPB, SUBB and SUBBR. These instructions can only clear Z.

Words: 1

Cycles: 1

Example 1: CPB.B W4, #0x12 ; Compare W4 with 0x12 using C (Byte mode)

	Before		After		
	Instruction		Instruction		
W4	<table border="1"><tr><td>7711</td></tr></table>	7711		W4 <table border="1"><tr><td>7711</td></tr></table>	7711
7711					
7711					
SR	<table border="1"><tr><td>0001</td></tr></table> (C = 1)	0001		SR <table border="1"><tr><td>0008</td></tr></table> (N = 1)	0008
0001					
0008					

Example 2: CPB.B W4, #0x12 ; Compare W4 with 0x12 using C (Byte mode)

	Before		After		
	Instruction		Instruction		
W4	<table border="1"><tr><td>7711</td></tr></table>	7711		W4 <table border="1"><tr><td>7711</td></tr></table>	7711
7711					
7711					
SR	<table border="1"><tr><td>0000</td></tr></table>	0000		SR <table border="1"><tr><td>0008</td></tr></table> (N = 1)	0008
0000					
0008					

Example 3: CPB W12, #0x1F ; Compare W12 with 0x1F using C (Word mode)

	Before		After		
	Instruction		Instruction		
W12	<table border="1"><tr><td>0020</td></tr></table>	0020		W12 <table border="1"><tr><td>0020</td></tr></table>	0020
0020					
0020					
SR	<table border="1"><tr><td>0002</td></tr></table> (Z = 1)	0002		SR <table border="1"><tr><td>0003</td></tr></table> (Z, C = 1)	0003
0002					
0003					

Example 4: CPB W12, #0x1F ; Compare W12 with 0x1F using C (Word mode)

	Before		After		
	Instruction		Instruction		
W12	<table border="1"><tr><td>0020</td></tr></table>	0020		W12 <table border="1"><tr><td>0020</td></tr></table>	0020
0020					
0020					
SR	<table border="1"><tr><td>0003</td></tr></table> (Z, C = 1)	0003		SR <table border="1"><tr><td>0001</td></tr></table> (C = 1)	0001
0003					
0001					



# Section 5. Instruction Descriptions

## CPB

### Compare Ws with Wb using Borrow, Set Status Flags

Implemented in:	PIC24F	PIC24H	PIC24E	dsPIC30F	dsPIC33F	dsPIC33E
	X	X	X	X	X	X

Syntax:            {label;}    CPB{.B}    Wb,            Ws  
    [Ws]  
    [Ws++]  
    [Ws--]  
    [++Ws]  
    [--Ws]

Operands:            Wb ∈ [W0 ... W15]  
    Ws ∈ [W0 ... W15]

Operation:            (Wb) – (Ws) – ( $\bar{C}$ )

Status Affected:    DC, N, OV, Z, C

Encoding:	1110	0001	1www	wB00	0ppp	ssss
-----------	------	------	------	------	------	------

Description:            Compute (Wb) – (Ws) – ( $\bar{C}$ ), and update the STATUS register. This instruction is equivalent to the SUBB instruction, but the result of the subtraction is not stored. Register direct addressing must be used for Wb. Register direct or indirect addressing may be used for Ws.

The 'w' bits select the address of the Wb source register.  
 The 'B' bit selects byte or word operation ('0' for word, '1' for byte).  
 The 'p' bits select the source Address mode.  
 The 's' bits select the address of the Ws source register.

- Note 1:** The extension .B in the instruction denotes a byte operation rather than a word operation. You may use a .w extension to denote a word operation, but it is not required.
- 2:** The Z flag is "sticky" for ADDC, CPB, SUBB and SUBBR. These instructions can only clear Z.

Words:                1  
 Cycles:                1<sup>(1)</sup>

**Note 1:** In dsPIC33E and PIC24E devices, the listed cycle count does not apply to read and read-modify-write operations on non-CPU Special Function Registers. For more details, see **Note 3** in [Section 3.2.1 "Multi-Cycle Instructions"](#).

Example 1:            CPB.B W0, [W1++] ; Compare [W1] with W0 using  $\bar{C}$  (Byte mode)  
    ; Post-increment W1

	Before	After
	Instruction	Instruction
W0	ABA9	ABA9
W1	1000	1001
Data 1000	D0A9	D0A9
SR	0002 (Z = 1)	0008 (N = 1)

# 16-bit MCU and DSC Programmer's Reference Manual

---

Example 2: CPB.B W0, [W1++] ; Compare [W1] with W0 using  $\bar{C}$  (Byte mode)  
; Post-increment W1

Before Instruction		After Instruction	
W0	ABA9	W0	ABA9
W1	1000	W1	1001
Data 1000	D0A9	Data 1000	D0A9
SR	0001 (C = 1)	SR	0001 (C = 1)

Example 3: CPB W4, W5 ; Compare W5 with W4 using  $\bar{C}$  (Word mode)

Before Instruction		After Instruction	
W4	4000	W4	4000
W5	3000	W5	3000
SR	0001 (C = 1)	SR	0001 (C = 1)

# Section 5. Instruction Descriptions

## CPBEQ

Compare Wb with Wn, Branch if Equal (Wb = Wn)

Implemented in:	PIC24F	PIC24H	PIC24E	dsPIC30F	dsPIC33F	dsPIC33E
			X			X

Syntax: {label:} CPBEQ{.B} Wb, Wn, Expr

Operands: Wb ∈ [W0 ... W15]  
Wn ∈ [W0 ... W15]

Operation: (Wb) – (Wn)  
If (Wb) = (Wn), [(PC+2) + 2 \* Expr] →PC and NOP →Instruction Register

Status Affected: None

Encoding:	1110	0111	1www	wBnn	nnnn	ssss
-----------	------	------	------	------	------	------

Description: Compare the contents of Wb with the contents of Wn by performing the subtraction (Wb) – (Wn), but do not store the result. If (Wb) = (Wn), the next instruction (fetched during the current instruction execution) is discarded, the PC is recalculated based on the 6-bit signed offset specified by Expr, and on the next cycle, a NOP is executed instead. If (Wb) ≠ (Wn), the next instruction is executed as normal (branch is not taken).

The 'w' bits select the address of the Wb source register.  
The 'B' bit selects byte or word operation ('0' for word, '1' for byte).  
The 's' bits select the address of the Wn source register.  
The 'n' bits select the offset of the branch destination.

**Note:** The extension .B in the instruction denotes a byte operation rather than a word operation. You may use a .W extension to denote a word operation, but it is not required.

Words: 1

Cycles: 1 (5 if branch taken)

Example 1: 002000 HERE:CPBEQ.B W0, W1, BYPASS; If W0 = W1 (Byte mode),  
002002 ADD W2, W3, W4; Perform branch to BYPASS  
002004 . . .  
002006 . . .  
002008 BYPASS: . . .  
00200A . . .

	Before Instruction	After Instruction
PC	00 2000	00 2008
W0	1000	1000
W1	1000	1000
SR	0000	0002 (z = 1)

## CPBGT Signed Compare Wb with Wn, Branch if Greater Than (Wb > Wn)

Implemented in:	PIC24F	PIC24H	PIC24E	dsPIC30F	dsPIC33F	dsPIC33E
			X			X

Syntax: {label;} CPBGT{.B} Wb, Wn, Expr

Operands: Wb ∈ [W0 ... W15]  
Wn ∈ [W0 ... W15]

Operation: (Wb) – (Wn)  
If (Wb) = (Wn), [(PC+2) + 2 \* Expr] →PC and NOP →Instruction Register

Status Affected: None

Encoding:	1110	0110	0www	wBnn	nnnn	ssss
-----------	------	------	------	------	------	------

Description: Compare the contents of Wb with the contents of Wn by performing the subtraction (Wb) – (Wn), but do not store the result. If (Wb) = (Wn), the next instruction (fetched during the current instruction execution) is discarded, the PC is recalculated based on the 6-bit signed offset specified by Expr, and on the next cycle, a NOP is executed instead. If (Wb) ≠ (Wn), the next instruction is executed as normal (branch is not taken).

The 'w' bits select the address of the Wb source register.  
The 'B' bit selects byte or word operation ('0' for word, '1' for byte).  
The 's' bits select the address of the Wn source register.  
The 'n' bits select the offset of the branch destination.

**Note:** The extension .B in the instruction denotes a byte operation rather than a word operation. You may use a .W extension to denote a word operation, but it is not required.

Words: 1

Cycles: 1 (5 if branch taken)

Example 1:

```

002000 HERE: CPBGT.B W0, W1, BYPASS ; If W0 > W1 (Byte mode),
002002     ADD     W2, W3, W4      ; Perform branch to BYPASS
002004     . . .
002006     . . .
002008 BYPASS . . .
00200A     . . .
    
```

	Before Instruction	After Instruction
PC	00 2000	00 2008
W0	30FF	00FF
W1	26FE	26FE
SR	0000	0000 (N, C = 0)

# Section 5. Instruction Descriptions

## CPBLT Signed Compare Wb with Wn, Branch if Less Than ( $Wb < Wn$ )

Implemented in:	PIC24F	PIC24H	PIC24E	dsPIC30F	dsPIC33F	dsPIC33E
			X			X

Syntax: {label;} CPBLT{.B} Wb, Wn, Expr

Operands:  $Wb \in [W0 \dots W15]$   
 $Wn \in [W0 \dots W15]$

Operation:  $(Wb) - (Wn)$   
 If  $(Wb) = (Wn)$ ,  $[(PC+2) + 2 * Expr] \rightarrow PC$  and NOP  $\rightarrow$  Instruction Register

Status Affected: None

Encoding:	1110	0110	1www	wBnn	nnnn	ssss
-----------	------	------	------	------	------	------

Description: Compare the contents of Wb with the contents of Wn by performing the subtraction  $(Wb) - (Wn)$ , but do not store the result. If  $(Wb) = (Wn)$ , the next instruction (fetched during the current instruction execution) is discarded, the PC is recalculated based on the 6-bit signed offset specified by Expr, and on the next cycle, a NOP is executed instead. If  $(Wb) \neq (Wn)$ , the next instruction is executed as normal (branch is not taken).

The 'w' bits select the address of the Wb source register.  
 The 'B' bit selects byte or word operation ('0' for word, '1' for byte).  
 The 's' bits select the address of the Wn source register.  
 The 'n' bits select the offset of the branch destination.

**Note:** The extension .B in the instruction denotes a byte operation rather than a word operation. You may use a .W extension to denote a word operation, but it is not required.

Words: 1

Cycles: 1 (5 if branch taken)

Example 1: 002000 HERE: CPBLT.B W8, W9, BYPASS; If  $W8 < W9$  (Byte mode),  
 002002 ADD W2, W3, W4; Perform branch to BYPASS  
 002004 . . .  
 002006 . . .  
 002008 BYPASS: . . .  
 00200A . . .

	Before		After
Instruction	Instruction	Instruction	Instruction
PC	00 2000	PC	00 2008
W8	00FF	W8	00FF
W9	26FE	W9	26FE
SR	0000	SR	0008 (N = 1)

## CPBNE

Compare  $W_b$  with  $W_n$ , Branch if Not Equal ( $W_b \neq W_n$ )

Implemented in:	PIC24F	PIC24H	PIC24E	dsPIC30F	dsPIC33F	dsPIC33E
			X			X

Syntax: {label:} CPBNE{.B}  $W_b$ ,  $W_n$ , Expr

Operands:  $W_b \in [W0 \dots W15]$   
 $W_n \in [W0 \dots W15]$

Operation:  $(W_b) - (W_n)$   
 If  $(W_b) = (W_n)$ ,  $[(PC+2) + 2 * Expr] \rightarrow PC$  and NOP  $\rightarrow$  Instruction Register

Status Affected: None

Encoding:	1110	0111	0www	wBnn	nnnn	ssss
-----------	------	------	------	------	------	------

Description: Compare the contents of  $W_b$  with the contents of  $W_n$  by performing the subtraction  $(W_b) - (W_n)$ , but do not store the result. If  $(W_b) = (W_n)$ , the next instruction (fetched during the current instruction execution) is discarded, the PC is recalculated based on the 6-bit signed offset specified by Expr, and on the next cycle, a NOP is executed instead. If  $(W_b) \neq (W_n)$ , the next instruction is executed as normal (branch is not taken).

The 'w' bits select the address of the  $W_b$  source register.

The 'B' bit selects byte or word operation ('0' for word, '1' for byte).

The 's' bits select the address of the  $W_n$  source register.

The 'n' bits select the offset of the branch destination.

**Note:** The extension .B in the instruction denotes a byte operation rather than a word operation. You may use a .W extension to denote a word operation, but it is not required.

Words: 1

Cycles: 1 (5 if branch taken)

Example 1: 002000 HERE: CPBNE.B W2, W3, BYPASS ; If  $W_2 \neq W_3$  (Byte mode),  
 002002 ADD W2, W3, W4 ; Perform branch to BYPASS  
 002004 . . .  
 002006 . . .  
 002008 BYPASS: . . .  
 00200A . . .

	Before Instruction	After Instruction
PC	00 2000	00 200A
W2	00FF	00FF
W3	26FE	26FE
SR	0000	0001 (C = 1)

# Section 5. Instruction Descriptions

## CPSEQ

Compare Wb with Wn, Skip if Equal (Wb = Wn)

Implemented in:	PIC24F	PIC24H	PIC24E	dsPIC30F	dsPIC33F	dsPIC33E
	X	X		X	X	

Syntax: {label:} CPSEQ{.B} Wb, Wn

Operands: Wb ∈ [W0 ... W15]  
Wn ∈ [W0 ... W15]

Operation: (Wb) – (Wn)  
Skip if (Wb) = (Wn)

Status Affected: None

Encoding:	1110	0111	1www	wB00	0000	ssss
-----------	------	------	------	------	------	------

Description: Compare the contents of Wb with the contents of Wn by performing the subtraction (Wb) – (Wn), but do not store the result. If (Wb) = (Wn), the next instruction (fetched during the current instruction execution) is discarded and on the next cycle, a NOP is executed instead. If (Wb) ≠ (Wn), the next instruction is executed as normal.

The 'w' bits select the address of the Wb source register.  
The 'B' bit selects byte or word operation ('0' for word, '1' for byte).  
The 's' bits select the address of the Wn source register.

**Note:** The extension .B in the instruction denotes a byte operation rather than a word operation. You may use a .W extension to denote a word operation, but it is not required.

Words: 1  
Cycles: 1 (2 or 3 if skip taken)

Example 1: 002000 HERE:CPSEQ.BW0, W1; If W0 = W1 (Byte mode),  
002002GOTOBYPASS; skip the GOTO  
002004 . . .  
002006 . . .  
002008 BYPASS: . . .  
00200A . . .

	Before Instruction	After Instruction
PC	00 2000	00 2002
W0	1001	1001
W1	1000	1000
SR	0000	0000

Example 2: 018000 HERE: CPSEQ W4, W8; If W4 = W8 (Word mode),  
018002 CALL \_FIR; skip the subroutine call  
018006 ...  
018008 ...

	Before Instruction	After Instruction
PC	01 8000	01 8006
W4	3344	3344
W8	3344	3344
SR	0002 (Z = 1)	0002 (Z = 1)

## CPSEQ

Compare Wb with Wn, Skip if Equal (Wb = Wn)

Implemented in:	PIC24F	PIC24H	PIC24E	dsPIC30F	dsPIC33F	dsPIC33E
			X			X

Syntax: {label;} CPSEQ{.B} Wb, Wn

Operands: Wb ∈ [W0 ... W15]  
Wn ∈ [W0 ... W15]

Operation: (Wb) – (Wn)  
Skip if (Wb) = (Wn)

Status Affected: None

Encoding:	1110	0111	1www	wB00	0001	ssss
-----------	------	------	------	------	------	------

Description: Compare the contents of Wb with the contents of Wn by performing the subtraction (Wb) – (Wn), but do not store the result. If (Wb) = (Wn), the next instruction (fetched during the current instruction execution) is discarded and on the next cycle, a NOP is executed instead. If (Wb) ≠ (Wn), the next instruction is executed as normal.

The 'w' bits select the address of the Wb source register.  
The 'B' bit selects byte or word operation ('0' for word, '1' for byte).  
The 's' bits select the address of the Wn source register.

**Note:** The extension .B in the instruction denotes a byte operation rather than a word operation. You may use a .W extension to denote a word operation, but it is not required.

Words: 1

Cycles: 1 (2 or 3 if skip taken)

Example 1: 002000 HERE:CPSEQ.BW0, W1; If W0 = W1 (Byte mode),  
002002GOTOBYPASS; skip the GOTO  
002004 . . .  
002006 . . .  
002008 BYPASS: . . .  
00200A . . .

	Before Instruction	After Instruction
PC	00 2000	00 2002
W0	1001	1001
W1	1000	1000
SR	0000	0000



## Section 5. Instruction Descriptions

---

Example 2: 018000 HERE: CPSEQ W4, W8; If W4 = W8 (Word mode),  
018002 CALL \_FIR; skip the subroutine call  
018006 ...  
018008 ...

Before Instruction		After Instruction	
PC	01 8000	PC	01 8006
W4	3344	W4	3344
W8	3344	W8	3344
SR	0002 (Z = 1)	SR	0002 (Z = 1)

## CPSGT Signed Compare Wb with Wn, Skip if Greater Than (Wb > Wn)

Implemented in:	PIC24F	PIC24H	PIC24E	dsPIC30F	dsPIC33F	dsPIC33E
	X	X		X	X	

Syntax: {label;} CPSGT{.B} Wb, Wn

Operands: Wb ∈ [W0 ... W15]  
Wn ∈ [W0 ... W15]

Operation: (Wb) – (Wn)  
Skip if (Wb) > (Wn)

Status Affected: None

Encoding:	1110	0110	0www	wB00	0000	ssss
-----------	------	------	------	------	------	------

Description: Compare the contents of Wb with the contents of Wn by performing the subtraction (Wb) – (Wn), but do not store the result. If (Wb) > (Wn), the next instruction (fetched during the current instruction execution) is discarded and on the next cycle, a NOP is executed instead. Otherwise, the next instruction is executed as normal.

The 'w' bits select the address of the Wb source register.  
The 'B' bit selects byte or word operation ('0' for word, '1' for byte).  
The 's' bits select the address of the Wn source register.

**Note:** The extension .B in the instruction denotes a byte operation rather than a word operation. You may use a .W extension to denote a word operation, but it is not required.

Words: 1

Cycles: 1 (2 or 3 if skip taken)

Example 1:

```

002000 HERE: CPSGT.B W0, W1; If W0 > W1 (Byte mode),
002002      GOTO    _BYPASS; skip the GOTO
002006      . . .
002008      . . .
00200A _BYPASS . . .
00200C      . . .
    
```

	Before Instruction		After Instruction
PC	00 2000		00 2006
W0	00FF		00FF
W1	26FE		26FE
SR	0009 (N, C = 1)		0009 (N, C = 1)

Example 2:

```

018000 HERE: CPSGT W4, W5; If W4 > W5 (Word mode),
018002      CALL    _FIR; skip the subroutine call
018006      ...
018008      ...
    
```

	Before Instruction		After Instruction
PC	01 8000		01 8002
W4	2600		2600
W5	2600		2600
SR	0004 (OV = 1)		0004 (OV = 1)

# Section 5. Instruction Descriptions

## CPSGT Signed Compare Wb with Wn, Skip if Greater Than (Wb > Wn)

Implemented in:	PIC24F	PIC24H	PIC24E	dsPIC30F	dsPIC33F	dsPIC33E
			X			X

Syntax: {label:} CPSGT{.B} Wb, Wn

Operands: Wb ∈ [W0 ... W15]  
Wn ∈ [W0 ... W15]

Operation: (Wb) – (Wn)  
Skip if (Wb) > (Wn)

Status Affected: None

Encoding:	1110	0110	0www	wB00	0001	ssss
-----------	------	------	------	------	------	------

Description: Compare the contents of Wb with the contents of Wn by performing the subtraction (Wb) – (Wn), but do not store the result. If (Wb) > (Wn), the next instruction (fetched during the current instruction execution) is discarded and on the next cycle, a NOP is executed instead. Otherwise, the next instruction is executed as normal.

The 'w' bits select the address of the Wb source register.  
The 'B' bit selects byte or word operation ('0' for word, '1' for byte).  
The 's' bits select the address of the Wn source register.

**Note:** The extension .B in the instruction denotes a byte operation rather than a word operation. You may use a .W extension to denote a word operation, but it is not required.

Words: 1  
Cycles: 1 (2 or 3 if skip taken)

Example 1:

```

002000 HERE: CPSGT.B W0, W1; If W0 > W1 (Byte mode),
002002      GOTO      BYPASS; skip the GOTO
002006      . . .
002008      . . .
00200A BYPASS . . .
00200C      . . .
    
```

Before Instruction		After Instruction	
PC	00 2000	PC	00 2006
W0	00FF	W0	00FF
W1	26FE	W1	26FE
SR	0009 (N, C = 1)	SR	0009 (N, C = 1)

Example 2:

```

018000 HERE: CPSGT W4, W5; If W4 > W5 (Word mode),
018002      CALL    _FIR; skip the subroutine call
018006      ...
018008      ...
    
```

Before Instruction		After Instruction	
PC	01 8000	PC	01 8002
W4	2600	W4	2600
W5	2600	W5	2600
SR	0004 (OV = 1)	SR	0004 (OV = 1)

## CPSLT Signed Compare Wb with Wn, Skip if Less Than ( $Wb < Wn$ )

Implemented in:	PIC24F	PIC24H	PIC24E	dsPIC30F	dsPIC33F	dsPIC33E
	X	X		X	X	

Syntax: {label:} CPSLT{.B} Wb, Wn

Operands:  $Wb \in [W0 \dots W15]$   
 $Wn \in [W0 \dots W15]$

Operation:  $(Wb) - (Wn)$   
 Skip if  $(Wb) < (Wn)$

Status Affected: None

Encoding:	1110	0110	1www	wB00	0000	ssss
-----------	------	------	------	------	------	------

Description: Compare the contents of Wb with the contents of Wn by performing the subtraction  $(Wb) - (Wn)$ , but do not store the result. If  $(Wb) < (Wn)$ , the next instruction (fetched during the current instruction execution) is discarded and on the next cycle, a NOP is executed instead. Otherwise, the next instruction is executed as normal.

The 'w' bits select the address of the Wb source register.  
 The 'B' bit selects byte or word operation ('0' for word, '1' for byte).  
 The 's' bits select the address of the Wn source register.

**Note:** The extension .B in the instruction denotes a byte operation rather than a word operation. You may use a .W extension to denote a word operation, but it is not required.

Words: 1

Cycles: 1 (2 or 3 if skip taken)

Example 1: 002000 HERE: CPSLT.B W8, W9; If  $W8 < W9$  (Byte mode),  
 002002 GOTO BYPASS; skip the GOTO  
 002006 . . .  
 002008 . . .  
 00200A BYPASS: . . .  
 00200C . . .

Before Instruction		After Instruction	
PC	00 2000	PC	00 2002
W8	00FF	W8	00FF
W9	26FE	W9	26FE
SR	0008 (N = 1)	SR	0008 (N = 1)

Example 2: 018000 HERE: CPSLT W3, W6; If  $W3 < W6$  (Word mode),  
 018002 CALL \_FIR; skip the subroutine call  
 018006 . . .  
 018008 . . .

Before Instruction		After Instruction	
PC	01 8000	PC	01 8006
W3	2600	W3	2600
W6	3000	W6	3000
SR	0000	SR	0000

# Section 5. Instruction Descriptions

## CPSLT Signed Compare Wb with Wn, Skip if Less Than ( $Wb < Wn$ )

Implemented in:	PIC24F	PIC24H	PIC24E	dsPIC30F	dsPIC33F	dsPIC33E
			X			X

Syntax: {label;} CPSLT{.B} Wb, Wn

Operands:  $Wb \in [W0 \dots W15]$   
 $Wn \in [W0 \dots W15]$

Operation:  $(Wb) - (Wn)$   
 Skip if  $(Wb) < (Wn)$

Status Affected: None

Encoding:	1110	0110	1www	wB00	0001	ssss
-----------	------	------	------	------	------	------

Description: Compare the contents of Wb with the contents of Wn by performing the subtraction  $(Wb) - (Wn)$ , but do not store the result. If  $(Wb) < (Wn)$ , the next instruction (fetched during the current instruction execution) is discarded and on the next cycle, a NOP is executed instead. Otherwise, the next instruction is executed as normal.

The 'w' bits select the address of the Wb source register.  
 The 'B' bit selects byte or word operation ('0' for word, '1' for byte).  
 The 's' bits select the address of the Wn source register.

**Note:** The extension .B in the instruction denotes a byte operation rather than a word operation. You may use a .W extension to denote a word operation, but it is not required.

Words: 1  
 Cycles: 1 (2 or 3 if skip taken)

Example 1: 002000 HERE: CPSLT.B W8, W9; If  $W8 < W9$  (Byte mode),  
 002002 GOTO BYPASS; skip the GOTO  
 002006 . . .  
 002008 . . .  
 00200A BYPASS: . . .  
 00200C . . .

Before Instruction	After Instruction
PC 00 2000	PC 00 2002
W8 00FF	W8 00FF
W9 26FE	W9 26FE
SR 0008 (N = 1)	SR 0008 (N = 1)

Example 2: 018000 HERE: CPSLT W3, W6; If  $W3 < W6$  (Word mode),  
 018002 CALL \_FIR; skip the subroutine call  
 018006 . . .  
 018008 . . .

Before Instruction	After Instruction
PC 01 8000	PC 01 8006
W3 2600	W3 2600
W6 3000	W6 3000
SR 0000	SR 0000

## CPSNE

Signed Compare Wb with Wn, Skip if Not Equal ( $Wb \neq Wn$ )

Implemented in:	PIC24F	PIC24H	PIC24E	dsPIC30F	dsPIC33F	dsPIC33E
	X	X		X	X	

Syntax: {label:} CPSNE{.B} Wb, Wn

Operands:  $Wb \in [W0 \dots W15]$   
 $Wn \in [W0 \dots W15]$

Operation:  $(Wb) - (Wn)$   
 Skip if  $(Wb) \neq (Wn)$

Status Affected: None

Encoding:	1110	0111	0www	wB00	0000	ssss
-----------	------	------	------	------	------	------

Description: Compare the contents of Wb with the contents of Wn by performing the subtraction  $(Wb) - (Wn)$ , but do not store the result. If  $(Wb) \neq (Wn)$ , the next instruction (fetched during the current instruction execution) is discarded and on the next cycle, a NOP is executed instead. Otherwise, the next instruction is executed as normal.

The 'w' bits select the address of the Wb source register.  
 The 'B' bit selects byte or word operation ('0' for word, '1' for byte).  
 The 's' bits select the address of the Wn source register.

**Note:** The extension .B in the instruction denotes a byte operation rather than a word operation. You may use a .W extension to denote a word operation, but it is not required.

Words: 1

Cycles: 1 (2 or 3 if skip taken)

Example 1: 002000 HERE: CPSNE.B W2, W3 ; If W2 != W3 (Byte mode),  
 002002 GOTO BYPASS ; skip the GOTO  
 002006 . . .  
 002008 . . .  
 00200A BYPASS: . . .  
 00200C . . .

Before Instruction		After Instruction	
PC	00 2000	PC	00 2006
W2	00FF	W2	00FF
W3	26FE	W3	26FE
SR	0001 (C = 1)	SR	0001 (C = 1)

Example 2: 018000 HERE: CPSNE W0, W8 ; If W0 != W8 (Word mode),  
 018002 CALL \_FIR ; skip the subroutine call  
 018006 . . .  
 018008 . . .

Before Instruction		After Instruction	
PC	01 8000	PC	01 8002
W0	3000	W0	3000
W8	3000	W8	3000
SR	0000	SR	0000

# Section 5. Instruction Descriptions

## CPSNE

Signed Compare Wb with Wn, Skip if Not Equal ( $Wb \neq Wn$ )

Implemented in:	PIC24F	PIC24H	PIC24E	dsPIC30F	dsPIC33F	dsPIC33E
			X			X

Syntax: {label;} CPSNE{.B} Wb, Wn

Operands:  $Wb \in [W0 \dots W15]$   
 $Wn \in [W0 \dots W15]$

Operation:  $(Wb) - (Wn)$   
 Skip if  $(Wb) \neq (Wn)$

Status Affected: None

Encoding:	1110	0111	0www	wB00	0001	ssss
-----------	------	------	------	------	------	------

Description: Compare the contents of Wb with the contents of Wn by performing the subtraction  $(Wb) - (Wn)$ , but do not store the result. If  $(Wb) \neq (Wn)$ , the next instruction (fetched during the current instruction execution) is discarded and on the next cycle, a NOP is executed instead. Otherwise, the next instruction is executed as normal.

The 'w' bits select the address of the Wb source register.  
 The 'B' bit selects byte or word operation ('0' for word, '1' for byte).  
 The 's' bits select the address of the Wn source register.

**Note:** The extension .B in the instruction denotes a byte operation rather than a word operation. You may use a .W extension to denote a word operation, but it is not required.

Words: 1

Cycles: 1 (2 or 3 if skip taken)

Example 1: 002000 HERE: CPSNE.B W2, W3 ; If  $W2 \neq W3$  (Byte mode),  
 002002 GOT0 BYPASS ; skip the GOT0  
 002006 . . .  
 002008 . . .  
 00200A BYPASS: . . .  
 00200C . . .

Before Instruction		After Instruction	
PC	00 2000	PC	00 2006
W2	00FF	W2	00FF
W3	26FE	W3	26FE
SR	0001 (C = 1)	SR	0001 (C = 1)

Example 2: 018000 HERE: CPSNE W0, W8 ; If  $W0 \neq W8$  (Word mode),  
 018002 CALL \_FIR ; skip the subroutine call  
 018006 . . .  
 018008 . . .

Before Instruction		After Instruction	
PC	01 8000	PC	01 8002
W0	3000	W0	3000
W8	3000	W8	3000
SR	0000	SR	0000

## DAW.B

Decimal Adjust Wn

Implemented in:	PIC24F	PIC24H	PIC24E	dsPIC30F	dsPIC33F	dsPIC33E
	X	X	X	X	X	X

Syntax: {label:} DAW.B Wn

Operands:  $Wn \in [W0 \dots W15]$

Operation: If  $(Wn\langle 3:0 \rangle > 9)$  or  $(DC = 1)$   
 $(Wn\langle 3:0 \rangle) + 6 \rightarrow Wn\langle 3:0 \rangle$   
 Else  
 $(Wn\langle 3:0 \rangle) \rightarrow Wn\langle 3:0 \rangle$

If  $(Wn\langle 7:4 \rangle > 9)$  or  $(C = 1)$   
 $(Wn\langle 7:4 \rangle) + 6 \rightarrow Wn\langle 7:4 \rangle$   
 Else  
 $(Wn\langle 7:4 \rangle) \rightarrow Wn\langle 7:4 \rangle$

Status Affected: C

Encoding:	1111	1101	0100	0000	0000	ssss
-----------	------	------	------	------	------	------

Description: Adjust the Least Significant Byte in Wn to produce a binary coded decimal (BCD) result. The Most Significant Byte of Wn is not changed, and the Carry flag is used to indicate any decimal rollover. Register direct addressing must be used for Wn.

The 's' bits select the source/destination register.

**Note 1:** This instruction is used to correct the data format after two packed BCD bytes have been added.

**2:** This instruction operates in Byte mode only and the .B extension must be included with the opcode.

Words: 1

Cycles: 1

Example 1: DAW.B W0 ; Decimal adjust W0

	Before Instruction		After Instruction
W0	771A		7720
SR	0002 (DC = 1)		0002 (DC = 1)

Example 2: DAW.B W3 ; Decimal adjust W3

	Before Instruction		After Instruction
W3	77AA		7710
SR	0000		0001 (C = 1)



# Section 5. Instruction Descriptions

## DEC

Decrement f

Implemented in:	PIC24F	PIC24H	PIC24E	dsPIC30F	dsPIC33F	dsPIC33E
	X	X	X	X	X	X

Syntax: {label:} DEC{.B} f {,WREG}

Operands:  $f \in [0 \dots 8191]$

Operation:  $(f) - 1 \rightarrow$ destination designated by D

Status Affected: DC, N, OV, Z, C

Encoding:	1110	1101	0BDF	ffff	ffff	ffff
-----------	------	------	------	------	------	------

Description: Subtract one from the contents of the file register and place the result in the destination register. The optional WREG operand determines the destination register. If WREG is specified, the result is stored in WREG. If WREG is not specified, the result is stored in the file register.

The 'B' bit selects byte or word operation ('0' for word, '1' for byte).  
The 'D' bit selects the destination ('0' for WREG, '1' for file register).  
The 'f' bits select the address of the file register.

- Note 1:** The extension .B in the instruction denotes a byte operation rather than a word operation. You may use a .W extension to denote a word operation, but it is not required.
- 2:** The WREG is set to working register W0.

Words: 1

Cycles: 1<sup>(1)</sup>

**Note 1:** In dsPIC33E and PIC24E devices, the listed cycle count does not apply to read and read-modify-write operations on non-CPU Special Function Registers. For more details, see **Note 3** in [Section 3.2.1 "Multi-Cycle Instructions"](#).

**Example 1:** DEC.B 0x200 ; Decrement (0x200) (Byte mode)

	Before Instruction	After Instruction
Data 200	80FF	80FE
SR	0000	0009 (N, C = 1)

**Example 2:** DEC RAM400, WREG ; Decrement RAM400 and store to WREG  
; (Word mode)

	Before Instruction	After Instruction
WREG	1211	0822
RAM400	0823	0823
SR	0000	0000

## DEC

### Decrement Ws

Implemented in:	PIC24F	PIC24H	PIC24E	dsPIC30F	dsPIC33F	dsPIC33E
	X	X	X	X	X	X

Syntax:            {label:}    DEC{.B}    Ws,        Wd  
     [Ws],        [Wd]  
     [Ws++],      [Wd++]  
     [Ws--],      [Wd--]  
     [++Ws],     [++Wd]  
     [--Ws],     [--Wd]

Operands:        Ws ∈ [W0 ... W15]  
     Wd ∈ [W0 ... W15]

Operation:       (Ws) – 1 →Wd

Status Affected: DC, N, OV, Z, C

Encoding:	1110	1001	0Bqq	qddd	dppp	ssss
-----------	------	------	------	------	------	------

Description:     Subtract one from the contents of the source register Ws and place the result in the destination register Wd. Either register direct or indirect addressing may be used by Ws and Wd.

The 'B' bit selects byte or word operation ('0' for word, '1' for byte).  
 The 'q' bits select the destination Address mode.  
 The 'd' bits select the destination register.  
 The 'p' bits select the source Address mode.  
 The 's' bits select the source register.

**Note:**     The extension .B in the instruction denotes a byte operation rather than a word operation. You may use a .W extension to denote a word operation, but it is not required.

Words:            1  
 Cycles:           1<sup>(1)</sup>

**Note 1:**     In dsPIC33E and PIC24E devices, the listed cycle count does not apply to read and read-modify-write operations on non-CPU Special Function Registers. For more details, see **Note 3** in [Section 3.2.1 "Multi-Cycle Instructions"](#).

**Example 1:**    DEC.B [W7++], [W8++] ; DEC [W7] and store to [W8] (Byte mode)  
     ; Post-increment W7, W8

	Before Instruction	After Instruction
W7	2301	2302
W8	2400	2401
Data 2300	5607	5607
Data 2400	ABCD	AB55
SR	0000	0000

# Section 5. Instruction Descriptions

---

Example 2:   DEC W5, [W6++] ; Decrement W5 and store to [W6] (Word mode)  
    ; Post-increment W6

Before Instruction		After Instruction	
W5	D004	W5	D004
W6	2000	W6	2002
Data 2000	ABA9	Data 2000	D003
SR	0000	SR	0009 (N, C = 1)



# Section 5. Instruction Descriptions

## DEC2

### Decrement Ws by 2

Implemented in:	PIC24F	PIC24H	PIC24E	dsPIC30F	dsPIC33F	dsPIC33E
	X	X	X	X	X	X

Syntax: {label:} DEC2{.B} Ws, Wd  
 [Ws], [Wd]  
 [Ws++], [Wd++]  
 [Ws--], [Wd--]  
 [++Ws], [++Wd]  
 [--Ws], [--Wd]

Operands: Ws  $\in$  [W0 ... W15]  
 Wd  $\in$  [W0 ... W15]

Operation:  $(Ws) - 2 \rightarrow Wd$

Status Affected: DC, N, OV, Z, C

Encoding:	1110	1001	1Bqq	qddd	dppp	ssss
-----------	------	------	------	------	------	------

Description: Subtract two from the contents of the source register Ws and place the result in the destination register Wd. Either register direct or indirect addressing may be used by Ws and Wd.

The 'B' bit selects byte or word operation ('0' for word, '1' for byte).

The 'q' bits select the destination Address mode.

The 'd' bits select the destination register.

The 'p' bits select the source Address mode.

The 's' bits select the source register.

**Note:** The extension .B in the instruction denotes a byte operation rather than a word operation. You may use a .W extension to denote a word operation, but it is not required.

Words: 1  
 Cycles: 1<sup>(1)</sup>

**Note 1:** In dsPIC33E and PIC24E devices, the listed cycle count does not apply to read and read-modify-write operations on non-CPU Special Function Registers. For more details, see **Note 3** in [Section 3.2.1 "Multi-Cycle Instructions"](#).

**Example 1:** DEC2.B [W7--], [W8--]; DEC [W7] by 2, store to [W8] (Byte mode)  
 ; Post-decrement W7, W8

Before Instruction		After Instruction	
W7	2301	W7	2300
W8	2400	W8	23FF
Data 2300	0107	Data 2300	0107
Data 2400	ABCD	Data 2400	ABFF
SR	0000	SR	0008 (N = 1)

# 16-bit MCU and DSC Programmer's Reference Manual

---

Example 2:   DEC2 W5, [W6++]   ; DEC W5 by 2, store to [W6] (Word mode)  
                                   ; Post-increment W6

Before	After		
Instruction	Instruction		
W5 <table border="1" style="display: inline-table; vertical-align: middle;"><tr><td>D004</td></tr></table>	D004	W5 <table border="1" style="display: inline-table; vertical-align: middle;"><tr><td>D004</td></tr></table>	D004
D004			
D004			
W6 <table border="1" style="display: inline-table; vertical-align: middle;"><tr><td>1000</td></tr></table>	1000	W6 <table border="1" style="display: inline-table; vertical-align: middle;"><tr><td>1002</td></tr></table>	1002
1000			
1002			
Data 1000 <table border="1" style="display: inline-table; vertical-align: middle;"><tr><td>ABA9</td></tr></table>	ABA9	Data 1000 <table border="1" style="display: inline-table; vertical-align: middle;"><tr><td>D002</td></tr></table>	D002
ABA9			
D002			
SR <table border="1" style="display: inline-table; vertical-align: middle;"><tr><td>0000</td></tr></table>	0000	SR <table border="1" style="display: inline-table; vertical-align: middle;"><tr><td>0009</td></tr></table> (N, C = 1)	0009
0000			
0009			

# Section 5. Instruction Descriptions

## DISI Disable Interrupts Temporarily

Implemented in:	PIC24F	PIC24H	PIC24E	dsPIC30F	dsPIC33F	dsPIC33E
	X	X	X	X	X	X

Syntax: `{label;} DISI #lit14`

Operands: `lit14 ∈ [ 0 ... 16383]`

Operation: `lit14 →DISICNT`  
`1 →DISI`  
 Disable interrupts for `(lit14 + 1)` cycles

Status Affected: None

Encoding:	1111	1100	00kk	kkkk	kkkk	kkkk
-----------	------	------	------	------	------	------

Description: Disable interrupts of priority 0 through priority 6 for `(lit14 + 1)` instruction cycles. Priority 0 through priority 6 interrupts are disabled starting in the cycle that DISI executes, and remain disabled for the next `(lit 14)` cycles. The `lit14` value is written to the DISICNT register, and the DISI flag (`INTCON2<14>`) is set to '1'. This instruction can be used before executing time critical code, to limit the effects of interrupts.

**Note 1:** This instruction does not prevent priority 7 interrupts and traps from running. See the specific device family reference manual for details.

**2:** This instruction does not prevent any interrupts when the device is in Sleep mode.

Words: 1

Cycles: 1

Example 1: `002000 HERE: DISI #100 ; Disable interrupts for 101 cycles`  
`002002 ; next 100 cycles protected by DISI`  
`002004 . . .`

Before Instruction		After Instruction	
PC	00 2000	PC	00 2002
DISICNT	0000	DISICNT	0100
INTCON2	0000	INTCON2	4000 (DISI = 1)
SR	0000	SR	0000

## DIV.S

### Signed Integer Divide

Implemented in:	PIC24F	PIC24H	PIC24E	dsPIC30F	dsPIC33F	dsPIC33E
	X	X	X	X	X	X

Syntax:                    {label:}    DIV.S{W}    Wm, Wn  
     DIV.SD        Wm, Wn

Operands:                Wm ∈ [ W0 ... W15] for word operation  
     Wm ∈ [ W0, W2, W4 ... W14] for double operation  
     Wn ∈ [ W2 ... W15]

Operation:                For word operation (default):

Wm →W0  
If (Wm<15> = 1):  
     0xFFFF →W1  
Else:  
     0x0 →W1  
     W1:W0 / Wn →W0  
     Remainder →W1

For double operation (DIV.SD):

Wm + 1:Wm →W1:W0  
     W1:W0 / Wn →W0  
     Remainder →W1

Status Affected:        N, OV, Z, C

Encoding:	1101	1000	0ttt	tvvv	vw00	ssss
-----------	------	------	------	------	------	------

Description:

Iterative, signed integer divide, where the dividend is stored in Wm (for a 16-bit by 16-bit divide) or Wm + 1:Wm (for a 32-bit by 16-bit divide) and the divisor is stored in Wn. In the default word operation, Wm is first copied to W0 and sign-extended through W1 to perform the operation. In the double operation, Wm + 1:Wm is first copied to W1:W0. The 16-bit quotient of the divide operation is stored in W0, and the 16-bit remainder is stored in W1.

This instruction must be executed 18 times using the REPEAT instruction (with an iteration count of 17) to generate the correct quotient and remainder. The N flag will be set if the remainder is negative and cleared otherwise. The OV flag will be set if the divide operation resulted in an overflow and cleared otherwise. The Z flag will be set if the remainder is '0' and cleared otherwise. The C flag is used to implement the divide algorithm and its final value should not be used.

The 't' bits select the most significant word of the dividend for the double operation. These bits are clear for the word operation.

The 'v' bits select the least significant word of the dividend.

The 'W' bit selects the dividend size ('0' for 16-bit, '1' for 32-bit).

The 's' bits select the divisor register.



## Section 5. Instruction Descriptions

- Note 1:** The extension .D in the instruction denotes a double word (32-bit) dividend rather than a word dividend. You may use a .W extension to denote a word operation, but it is not required.
- 2:** Unexpected results will occur if the quotient can not be represented in 16 bits. When this occurs for the double operation (DIV.SD), the OV Status bit will be set and the quotient and remainder should not be used. For the word operation (DIV.S), only one type of overflow may occur (0x8000/0xFFFF = + 32768 or 0x00008000), which allows the OV Status bit to interpret the result.
- 3:** Dividing by zero will initiate an arithmetic error trap during the first cycle of execution.
- 4:** This instruction is interruptible on each instruction cycle boundary.

Words: 1  
 Cycles: 18 (plus 1 for REPEAT execution)

Example 1: REPEAT #17 ; Execute DIV.S 18 times  
 DIV.S W3, W4 ; Divide W3 by W4  
 ; Store quotient to W0, remainder to W1

Before Instruction	After Instruction
W0 5555	W0 013B
W1 1234	W1 0003
W3 3000	W3 3000
W4 0027	W4 0027
SR 0000	SR 0000

Example 2: REPEAT #17 ; Execute DIV.SD 18 times  
 DIV.SD W0, W12 ; Divide W1:W0 by W12  
 ; Store quotient to W0, remainder to W1

Before Instruction	After Instruction
W0 2500	W0 FA6B
W1 FF42	W1 EF00
W12 2200	W12 2200
SR 0000	SR 0008 (N = 1)

## DIV.U

### Unsigned Integer Divide

Implemented in:	PIC24F	PIC24H	PIC24E	dsPIC30F	dsPIC33F	dsPIC33E
	X	X	X	X	X	X

Syntax: {label:} DIV.U{W} Wm, Wn  
 DIV.UD Wm, Wn

Operands: Wm ∈ [ W0 ... W15] for word operation  
 Wm ∈ [ W0, W2, W4 ... W14] for double operation  
 Wn ∈ [ W2 ... W15]

Operation: For word operation (default):

Wm →W0  
 0x0 →W1  
 W1:W0/Wn →W0  
 Remainder →W1

For double operation (DIV.UD):

Wm + 1:Wm →W1:W0  
 W1:W0/Wns →W0  
 Remainder →W1

Status Affected: N, OV, Z, C

Encoding:	1101	1000	1ttt	tvvv	vW00	ssss
-----------	------	------	------	------	------	------

Description: Iterative, unsigned integer divide, where the dividend is stored in Wm (for a 16-bit by 16-bit divide), or Wm + 1:Wm (for a 32-bit by 16-bit divide) and the divisor is stored in Wn. In the word operation, Wm is first copied to W0 and W1 is cleared to perform the divide. In the double operation, Wm + 1:Wm is first copied to W1:W0. The 16-bit quotient of the divide operation is stored in W0, and the 16-bit remainder is stored in W1. This instruction must be executed 18 times using the REPEAT instruction (with an iteration count of 17) to generate the correct quotient and remainder. The N flag will always be cleared. The OV flag will be set if the divide operation resulted in an overflow and cleared otherwise. The Z flag will be set if the remainder is '0' and cleared otherwise. The C flag is used to implement the divide algorithm and its final value should not be used. The 't' bits select the most significant word of the dividend for the double operation. These bits are clear for the word operation. The 'v' bits select the least significant word of the dividend. The 'W' bit selects the dividend size ('0' for 16-bit, '1' for 32-bit). The 's' bits select the divisor register.

- Note 1:** The extension .D in the instruction denotes a double word (32-bit) dividend rather than a word dividend. You may use a .W extension to denote a word operation, but it is not required.
- 2:** Unexpected results will occur if the quotient can not be represented in 16 bits. This may only occur for the double operation (DIV.UD). When an overflow occurs, the OV Status bit will be set and the quotient and remainder should not be used.
- 3:** Dividing by zero will initiate an arithmetic error trap during the first cycle of execution.
- 4:** This instruction is interruptible on each instruction cycle boundary.

Words: 1

Cycles: 18 (plus 1 for REPEAT execution)

## Section 5. Instruction Descriptions

Example 1: REPEAT #17 ; Execute DIV.U 18 times  
DIV.U W2, W4 ; Divide W2 by W4  
; Store quotient to W0, remainder to W1

Before Instruction		After Instruction	
W0	5555	W0	0040
W1	1234	W1	0000
W2	8000	W2	8000
W4	0200	W4	0200
SR	0000	SR	0002 (Z = 1)

Example 2: REPEAT #17 ; Execute DIV.UD 18 times  
DIV.UD W10, W12 ; Divide W11:W10 by W12  
; Store quotient to W0, remainder to W1

Before Instruction		After Instruction	
W0	5555	W0	01F2
W1	1234	W1	0100
W10	2500	W10	2500
W11	0042	W11	0042
W12	2200	W12	2200
SR	0000	SR	0000

## DIVF

### Fractional Divide

Implemented in:	PIC24F	PIC24H	PIC24E	dsPIC30F	dsPIC33F	dsPIC33E
				X	X	X

Syntax: {label;} DIVF Wm, Wn

Operands: Wm ∈ [ W0 ... W15]  
Wn ∈ [ W2 ... W15]

Operation: 0x0 →W0  
Wm →W1  
W1:W0/Wn →W0  
Remainder →W1

Status Affected: N, OV, Z, C

Encoding:	1101	1001	0ttt	t000	0000	ssss
-----------	------	------	------	------	------	------

Description: Iterative, signed fractional 16-bit by 16-bit divide, where the dividend is stored in Wm and the divisor is stored in Wn. To perform the operation, W0 is first cleared and Wm is copied to W1. The 16-bit quotient of the divide operation is stored in W0, and the 16-bit remainder is stored in W1. The sign of the remainder will be the same as the sign of the dividend.

This instruction must be executed 18 times using the REPEAT instruction (with an iteration count of 17) to generate the correct quotient and remainder. The N flag will be set if the remainder is negative and cleared otherwise. The OV flag will be set if the divide operation resulted in an overflow and cleared otherwise. The Z flag will be set if the remainder is '0' and cleared otherwise. The C flag is used to implement the divide algorithm and its final value should not be used.

The 't' bits select the dividend register.

The 's' bits select the divisor register.

- Note 1:** For the fractional divide to be effective, Wm must be less than Wn. If Wm is greater than or equal to Wn, unexpected results will occur because the fractional result will be greater than or equal to 1.0. When this occurs, the OV Status bit will be set and the quotient and remainder should not be used.
- 2:** Dividing by zero will initiate an arithmetic error trap during the first cycle of execution.
- 3:** This instruction is interruptible on each instruction cycle boundary.

Words: 1

Cycles: 18 (plus 1 for REPEAT execution)

## Section 5. Instruction Descriptions

Example 1: REPEAT #17 ; Execute DIVF 18 times  
DIVF W8, W9 ; Divide W8 by W9  
; Store quotient to W0, remainder to W1

Before		After	
Instruction		Instruction	
W0	8000	W0	2000
W1	1234	W1	0000
W8	1000	W8	1000
W9	4000	W9	4000
SR	0000	SR	0002 (Z = 1)

Example 2: REPEAT #17 ; Execute DIVF 18 times  
DIVF W8, W9 ; Divide W8 by W9  
; Store quotient to W0, remainder to W1

Before		After	
Instruction		Instruction	
W0	8000	W0	F000
W1	1234	W1	0000
W8	1000	W8	1000
W9	8000	W9	8000
SR	0000	SR	0002 (Z = 1)

Example 3: REPEAT #17 ; Execute DIVF 18 times  
DIVF W0, W1 ; Divide W0 by W1  
; Store quotient to W0, remainder to W1

Before		After	
Instruction		Instruction	
W0	8002	W0	7FFE
W1	8001	W1	8002
SR	0000	SR	0008 (N = 1)

## DO

### Initialize Hardware Loop Literal

Implemented in:	PIC24F	PIC24H	PIC24E	dsPIC30F	dsPIC33F	dsPIC33E
				X	X	

Syntax:            {label;}    DO            #lit14,    Expr

Operands:        lit14 ∈ [0 ... 16383]  
 Expr may be an absolute address, label or expression.  
 Expr is resolved by the linker to a Slit16, where Slit16 ∈ [-32768 ... +32767].

Operation:        PUSH DO shadows (DCOUNT, DOEND, DOSTART)  
 (lit14) →DCOUNT  
 (PC) + 4 →PC  
 (PC) →DOSTART  
 (PC) + (2 \* Slit16) →DOEND  
 Increment DL<2:0> (CORCON<10:8>)

Status Affected: DA

Encoding:	0000	1000	00kk	kkkk	kkkk	kkkk
	0000	0000	nnnn	nnnn	nnnn	nnnn

## Section 5. Instruction Descriptions

**Description:** Initiate a no overhead hardware D0 loop, which is executed (lit14 + 1) times. The D0 loop begins at the address following the D0 instruction, and ends at the address 2 \* Slit16 instruction words away. The 14-bit count value (lit14) supports a maximum loop count value of 16384, and the 16-bit offset value (Slit16) supports offsets of 32K instruction words in both directions.

When this instruction executes, DCOUNT, DOSTART and DOEND are first PUSHed into their respective shadow registers, and then updated with the new D0 loop parameters specified by the instruction. The D0 level count, DL<2:0> (CORCON<8:10>), is then incremented. After the D0 loop completes execution, the PUSHed DCOUNT, DOSTART and DOEND registers are restored, and DL<2:0> is decremented.

The 'k' bits specify the loop count.

The 'n' bits are a signed literal that specifies the number of instructions that are offset from the PC to the last instruction executed in the loop.

**Special Features, Restrictions:**

The following features and restrictions apply to the D0 instruction.

1. Using a loop count of '0' will result in the loop being executed one time.
2. Using a loop size of -2, -1 or 0 is invalid. Unexpected results may occur if these offsets are used.
3. The very last two instructions of the D0 loop cannot be:
  - an instruction which changes program control flow
  - a D0 or REPEAT instruction

Unexpected results may occur if any of these instructions are used.

4. If a hard trap occurs in the second to last instruction or third to last instruction of a D0 loop, the loop will not function properly. The hard trap includes exceptions of priority level 13 through level 15, inclusive.

**Note 1:** The D0 instruction is interruptible and supports 1 level of hardware nesting. Nesting up to an additional 5 levels may be provided in software by the user. See the specific device family reference manual for details.

**2:** The linker will convert the specified expression into the offset to be used.

Words: 2

Cycles: 2

Example 1:

```

002000 LOOP6:  D0    #5, END6; Initiate D0 loop (6 reps)
002004          ADD   W1, W2, W3; First instruction in loop
002006          . . .
002008          . . .
00200A END6:   SUB   W2, W3, W4; Last instruction in loop
00200C          . . .
    
```

Before Instruction		After Instruction	
PC	00 2000	PC	00 2004
DCOUNT	0000	DCOUNT	0005
DOSTART	FF FFFF	DOSTART	00 2004
DOEND	FF FFFF	DOEND	00 200A
CORCON	0000	CORCON	0100 (DL = 1)
SR	0001 (C = 1)	SR	0201 (DA, C = 1)

# 16-bit MCU and DSC Programmer's Reference Manual

---

Example 2:

```

01C000 LOOP12: DO #0x160, END12; Init DO loop (353 reps)
01C004          DEC W1, W2; First instruction in loop
01C006          . . .
01C008          . . .
01C00A          . . .
01C00C          . . .
01C00E          CALL _FIR88; Call the FIR88 subroutine
01C012          NOP
01C014 END12:  NOP; Last instruction in loop
                ; (Required NOP filler)
    
```

	Before Instruction		After Instruction
PC	01 C000	PC	01 C004
DCOUNT	0000	DCOUNT	0160
DOSTART	FF FFFF	DOSTART	01 C004
DOEND	FF FFFF	DOEND	01 C014
CORCON	0000	CORCON	0100 (DL = 1)
SR	0008 (N = 1)	SR	0208 (DA, N = 1)



# Section 5. Instruction Descriptions

## DO

### Initialize Hardware Loop Literal

Implemented in:	PIC24F	PIC24H	PIC24E	dsPIC30F	dsPIC33F	dsPIC33E
						X

Syntax: {label;} DO #lit15, Expr

Operands: lit15  $\in$  [0 ... 32767]  
 Expr may be an absolute address, label or expression.  
 Expr is resolved by the linker to a Slit16, where Slit16  $\in$  [-32768 ... +32767].

Operation: PUSH DO shadows (DCOUNT, DOEND, DOSTART)  
 (lit15)  $\rightarrow$ DCOUNT  
 (PC) + 4  $\rightarrow$ PC  
 (PC)  $\rightarrow$ DOSTART  
 (PC) + (2 \* Slit16)  $\rightarrow$ DOEND  
 Increment DL<2:0> (CORCON<10:8>)

Status Affected: DA

Encoding:	0000	1000	0kkk	kkkk	kkkk	kkkk
	0000	0000	nnnn	nnnn	nnnn	nnnn

Description: Initiate a no overhead hardware DO loop, which is executed (lit15 + 1) times. The DO loop begins at the address following the DO instruction, and ends at the address 2 \* Slit16 instruction words away. The 15-bit count value (lit15) supports a maximum loop count value of 32768, and the 16-bit offset value (Slit16) supports offsets of 32K instruction words in both directions.

When this instruction executes, DCOUNT, DOSTART and DOEND are first PUSHed into their respective shadow registers, and then updated with the new DO loop parameters specified by the instruction. The DO level count, DL<2:0> bits (CORCON<8:10>), is then incremented. After the DO loop completes execution, the PUSHed DCOUNT, DOSTART and DOEND registers are restored, and DL<2:0> is decremented.

The 'k' bits specify the loop count.

The 'n' bits are a signed literal that specifies the number of instructions that are offset from the PC to the last instruction executed in the loop.

#### Special Features, Restrictions:

The following features and restrictions apply to the DO instruction.

- Using a loop count of '0' will result in the loop being executed one time.
- Using a loop size of -2, -1 or 0 is invalid. Unexpected results may occur if these offsets are used.
- The very last two instructions of the DO loop cannot be:
  - an instruction which changes program control flow
  - a DO or REPEAT instruction
 Unexpected results may occur if any of these instructions are used.

- If a hard trap occurs in the second to last instruction or third to last instruction of a DO loop, the loop will not function properly. The hard trap includes exceptions of priority level 13 through level 15, inclusive.
- The first instruction of the DO loop cannot be a PSV read or Table read.

**Note 1:** The DO instruction is interruptible and supports 1 level of hardware nesting. Nesting up to an additional 5 levels may be provided in software by the user. See the specific device family reference manual for details.

- The linker will convert the specified expression into the offset to be used.

# 16-bit MCU and DSC Programmer's Reference Manual

Words: 2

Cycles: 2

Example 1: 002000 LOOP6: DO #5, END6; Initiate DO loop (6 reps)  
 002004 ADD W1, W2, W3; First instruction in loop  
 002006 . . .  
 002008 . . .  
 00200A END6: SUB W2, W3, W4; Last instruction in loop  
 00200C . . .

Before Instruction		After Instruction	
PC	00 2000	PC	00 2004
DCOUNT	0000	DCOUNT	0005
DOSTART	FF FFFF	DOSTART	00 2004
DOEND	FF FFFF	DOEND	00 200A
CORCON	0000	CORCON	0100 (DL = 1)
SR	0001 (C = 1)	SR	0201 (DA, C = 1)

Example 2: 01C000 LOOP12: DO #0x160, END12; Init DO loop (353 reps)  
 01C004 DEC W1, W2; First instruction in loop  
 01C006 . . .  
 01C008 . . .  
 01C00A . . .  
 01C00C . . .  
 01C00E CALL \_FIR88; Call the FIR88 subroutine  
 01C012 NOP  
 01C014 END12: NOP; Last instruction in loop  
 ; (Required NOP filler)

Before Instruction		After Instruction	
PC	01 C000	PC	01 C004
DCOUNT	0000	DCOUNT	0160
DOSTART	FF FFFF	DOSTART	01 C004
DOEND	FF FFFF	DOEND	01 C014
CORCON	0000	CORCON	0100 (DL = 1)
SR	0008 (N = 1)	SR	0208 (DA, N = 1)

# Section 5. Instruction Descriptions

## DO

### Initialize Hardware Loop Wn

Implemented in:	PIC24F	PIC24H	PIC24E	dsPIC30F	dsPIC33F	dsPIC33E
				X	X	

Syntax: {label;} DO Wn, Expr

Operands: Wn  $\in$  [W0 ... W15]  
 Expr may be an absolute address, label or expression.  
 Expr is resolved by the linker to a Slit16, where Slit16  $\in$  [-32768 ... +32767].

Operation: PUSH Shadows (DCOUNT, DOEND, DOSTART)  
 (Wn<13:0>)  $\rightarrow$ DCOUNT  
 (PC) + 4  $\rightarrow$ PC  
 (PC)  $\rightarrow$ DOSTART  
 (PC) + (2 \* Slit16)  $\rightarrow$ DOEND  
 Increment DL<2:0> (CORCON<10:8>)

Status Affected: DA

	0000	1000	1000	0000	0000	ssss
Encoding:	0000	0000	nnnn	nnnn	nnnn	nnnn

Description: Initiate a no overhead hardware DO loop, which is executed (Wn + 1) times. The DO loop begins at the address following the DO instruction, and ends at the address 2 \* Slit16 instruction words away. The lower 14 bits of Wn support a maximum count value of 16384, and the 16-bit offset value (Slit16) supports offsets of 32K instruction words in both directions.

When this instruction executes, DCOUNT, DOSTART and DOEND are first PUSHed into their respective shadow registers, and then updated with the new DO loop parameters specified by the instruction. The DO level count, DL<2:0> (CORCON<8:10>), is then incremented. After the DO loop completes execution, the PUSHed DCOUNT, DOSTART and DOEND registers are restored, and DL<2:0> is decremented.

The 's' bits specify the register Wn that contains the loop count. The 'n' bits are a signed literal that specifies the number of instructions that are offset from (PC + 4), which is the last instruction executed in the loop.

#### Special Features, Restrictions:

The following features and restrictions apply to the DO instruction.

- Using a loop count of '0' will result in the loop being executed one time.
- Using an offset of -2, -1 or 0 is invalid. Unexpected results may occur if these offsets are used.
- The very last two instructions of the DO loop cannot be:
  - an instruction which changes program control flow
  - a DO or REPEAT instruction

Unexpected results may occur if these last instructions are used.

**Note 1:** The DO instruction is interruptible and supports 1 level of nesting. Nesting up to an additional 5 levels may be provided in software by the user. See the specific device family reference manual for details.

**2:** The linker will convert the specified expression into the offset to be used.

Words: 2

Cycles: 2

# 16-bit MCU and DSC Programmer's Reference Manual

---

Example 1:

```

002000 LOOP6: DO    W0, END6 ; Initiate D0 loop (W0 reps)
002004          ADD   W1, W2, W3 ; First instruction in loop
002006          . . .
002008          . . .
00200A          . . .
00200C          REPEAT #6
00200E          SUB   W2, W3, W4
002010 END6:   NOP           ; Last instruction in loop
                                   ; (Required NOP filler)

```

Before Instruction		After Instruction	
PC	00 2000	PC	00 2004
W0	0012	W0	0012
DCOUNT	0000	DCOUNT	0012
DOSTART	FF FFFF	DOSTART	00 2004
DOEND	FF FFFF	DOEND	00 2010
CORCON	0000	CORCON	0100 (DL = 1)
SR	0000	SR	0080 (DA = 1)

Example 2:

```

002000 LOOPA: DO    W7, ENDA ; Initiate D0 loop (W7 reps)
002004          SWAP W0      ; First instruction in loop
002006          . . .
002008          . . .
00200A          . . .
002010 ENDA:  MOV   W1, [W2++] ; Last instruction in loop

```

Before Instruction		After Instruction	
PC	00 2000	PC	00 2004
W7	E00F	W7	E00F
DCOUNT	0000	DCOUNT	200F
DOSTART	FF FFFF	DOSTART	00 2004
DOEND	FF FFFF	DOEND	00 2010
CORCON	0000	CORCON	0100 (DL = 1)
SR	0000	SR	0080 (DA = 1)

# Section 5. Instruction Descriptions

## DO

### Initialize Hardware Loop Wn

Implemented in:	PIC24F	PIC24H	PIC24E	dsPIC30F	dsPIC33F	dsPIC33E
						X

Syntax: {label;} DO Wn, Expr

Operands: Wn ∈ [W0 ... W15]  
 Expr may be an absolute address, label or expression.  
 Expr is resolved by the linker to a Slit16, where Slit16 ∈ [-32768 ... +32767].

Operation: PUSH Shadows (DCOUNT, DOEND, DOSTART)  
 (Wn) →DCOUNT  
 (PC) + 4 →PC  
 (PC) →DOSTART  
 (PC) + (2 \* Slit16) →DOEND  
 Increment DL<2:0> (CORCON<10:8>)

Status Affected: DA

	0000	1000	1000	0000	0000	ssss
Encoding:	0000	0000	nnnn	nnnn	nnnn	nnnn

Description: Initiate a no overhead hardware DO loop, which is executed (Wn + 1) times. The DO loop begins at the address following the DO instruction, and ends at the address 2 \* Slit16 instruction words away. The 16 bits of Wn support a maximum count value of 65536, and the 16-bit offset value (Slit16) supports offsets of 32K instruction words in both directions.

When this instruction executes, DCOUNT, DOSTART and DOEND are first PUSHed into their respective shadow registers, and then updated with the new DO loop parameters specified by the instruction. The DO level count, DL<2:0> (CORCON<8:10>), is then incremented. After the DO loop completes execution, the PUSHed DCOUNT, DOSTART and DOEND registers are restored, and DL<2:0> is decremented.

The 's' bits specify the register Wn that contains the loop count. The 'n' bits are a signed literal that specifies the number of instructions that are offset from (PC + 4), which is the last instruction executed in the loop.

#### Special Features, Restrictions:

The following features and restrictions apply to the DO instruction.

- Using a loop count of '0' will result in the loop being executed one time.
- Using an offset of -2, -1 or 0 is invalid. Unexpected results may occur if these offsets are used.
- The very last two instructions of the DO loop cannot be:
  - an instruction which changes program control flow
  - a DO or REPEAT instruction
 Unexpected results may occur if these last instructions are used.
- The first instruction of the DO loop cannot be a PSV read or Table read.

**Note 1:** The DO instruction is interruptible and supports 1 level of nesting. Nesting up to an additional 5 levels may be provided in software by the user. See the specific device family reference manual for details.

**2:** The linker will convert the specified expression into the offset to be used.

Words: 2

## DO

### Initialize Hardware Loop Wn

Cycles: 2

Example 1:

```

002000 LOOP6: DO    W0, END6 ; Initiate DO loop (W0 reps)
002004          ADD  W1, W2, W3 ; First instruction in loop
002006          . . .
002008          . . .
00200A          . . .
00200C          REPEAT #6
00200E          SUB  W2, W3, W4
002010 END6:   NOP                ; Last instruction in loop
                                           ; (Required NOP filler)
    
```

Before Instruction		After Instruction	
PC	00 2000	PC	00 2004
W0	0012	W0	0012
DCOUNT	0000	DCOUNT	0012
DOSTART	FF FFFF	DOSTART	00 2004
DOEND	FF FFFF	DOEND	00 2010
CORCON	0000	CORCON	0100 (DL = 1)
SR	0000	SR	0080 (DA = 1)

Example 2:

```

002000 LOOPA: DO    W7, ENDA ; Initiate DO loop (W7 reps)
002004          SWAP W0      ; First instruction in loop
002006          . . .
002008          . . .
00200A          . . .
002010 ENDA:   MOV   W1, [W2++] ; Last instruction in loop
    
```

Before Instruction		After Instruction	
PC	00 2000	PC	00 2004
W7	E00F	W7	E00F
DCOUNT	0000	DCOUNT	200F
DOSTART	FF FFFF	DOSTART	00 2004
DOEND	FF FFFF	DOEND	00 2010
CORCON	0000	CORCON	0100 (DL = 1)
SR	0000	SR	0080 (DA = 1)

# Section 5. Instruction Descriptions

## ED

### Euclidean Distance (No Accumulate)

Implemented in:	PIC24F	PIC24H	PIC24E	dsPIC30F	dsPIC33F	dsPIC33E
				X	X	X

Syntax: {label:} ED Wm \* Wm, Acc, [Wx], [Wy], Wxd  
 [Wx] + = kx, [Wy] + = ky,  
 [Wx] – = kx, [Wy] – = ky,  
 [W9 + W12], [W11 + W12],

Operands: Acc ∈ [A,B]  
 Wm \* Wm ∈ [W4 \* W4, W5 \* W5, W6 \* W6, W7 \* W7]  
 Wx ∈ [W8, W9]; kx ∈ [-6, -4, -2, 2, 4, 6]  
 Wy ∈ [W10, W11]; ky ∈ [-6, -4, -2, 2, 4, 6]  
 Wxd ∈ [W4 ... W7]

Operation: (Wm) \* (Wm) → Acc(A or B)  
 ([Wx] – [Wy]) → Wxd  
 (Wx) + kx → Wx  
 (Wy) + ky → Wy

Status Affected: OA, OB, OAB, SA, SB, SAB

Encoding:	1111	00mm	A1xx	00ii	ijjj	jj11
-----------	------	------	------	------	------	------

Description: Compute the square of Wm, and compute the difference of the prefetch values specified by [Wx] and [Wy]. The results of Wm \* Wm are sign-extended to 40 bits and stored in the specified accumulator. The results of [Wx] – [Wy] are stored in Wxd, which may be the same as Wm.

Operands Wx, Wxd and Wyd specify the prefetch operations which support indirect and register offset addressing as described in [Section 4.14.1 “MAC Prefetches”](#).

The 'm' bits select the operand register Wm for the square.  
 The 'A' bit selects the accumulator for the result.  
 The 'x' bits select the prefetch difference Wxd destination.  
 The 'i' bits select the Wx prefetch operation.  
 The 'j' bits select the Wy prefetch operation.

Words: 1

Cycles: 1

Example 1: ED W4\*W4, A, [W8]+2, [W10]-2, W4 ; Square W4 to ACCA  
 ; [W8]-[W10] to W4  
 ; Post-increment W8  
 ; Post-decrement W10

	Before Instruction		After Instruction
W4	009A	W4	0057
W8	1100	W8	1102
W10	2300	W10	22FE
ACCA	00 3D0A 0000	ACCA	00 0000 5CA4
Data 1100	007F	Data 1100	007F
Data 2300	0028	Data 2300	0028
SR	0000	SR	0000

# 16-bit MCU and DSC Programmer's Reference Manual

---

Example 2:    ED   W5\*W5, B, [W9]+=2, [W11+W12], W5 ; Square W5 to ACCB  
; [W9]-[W11+W12] to W5  
; Post-increment W9

Before Instruction		After Instruction	
W5	43C2	W5	3F3F
W9	1200	W9	1202
W11	2500	W11	2500
W12	0008	W12	0008
ACCB	00 28E3 F14C	ACCB	00 11EF 1F04
Data 1200	6A7C	Data 1200	6A7C
Data 2508	2B3D	Data 2508	2B3D
SR	0000	SR	0000



# Section 5. Instruction Descriptions

## EDAC

### Euclidean Distance

Implemented in:	PIC24F	PIC24H	PIC24E	dsPIC30F	dsPIC33F	dsPIC33E
				X	X	X

Syntax: {label;} EDAC Wm \* Wm, Acc, [Wx], [Wy], Wxd  
 [Wx] += [Wy] + ky,  
 kx,  
 [Wx] -= kx, [Wy] -= ky,  
 [W9 + W12], [W11 + W12],

Operands: Acc ∈ [A,B]  
 Wm \* Wm ∈ [W4 \* W4, W5 \* W5, W6 \* W6, W7 \* W7]  
 Wx ∈ [W8, W9]; kx ∈ [-6, -4, -2, 2, 4, 6]  
 Wy ∈ [W10, W11]; ky ∈ [-6, -4, -2, 2, 4, 6]  
 Wxd ∈ [W4 ... W7]

Operation: (Acc(A or B)) + (Wm) \* (Wm) → Acc(A or B)  
 ([Wx] - [Wy]) → Wxd  
 (Wx) + kx → Wx  
 (Wy) + ky → Wy

Status Affected: OA, OB, OAB, SA, SB, SAB

Encoding:	1111	00mm	A1xx	00ii	ijjj	jj10
-----------	------	------	------	------	------	------

Description: Compute the square of Wm, and also the difference of the prefetch values specified by [Wx] and [Wy]. The results of Wm \* Wm are sign-extended to 40 bits and added to the specified accumulator. The results of [Wx] - [Wy] are stored in Wxd, which may be the same as Wm.

Operands Wx, Wxd and Wyd specify the prefetch operations which support indirect and register offset addressing as described in [Section 4.14.1 "MAC Prefetches"](#).

The 'm' bits select the operand register Wm for the square.

The 'A' bit selects the accumulator for the result.

The 'x' bits select the prefetch difference Wxd destination.

The 'i' bits select the Wx prefetch operation.

The 'j' bits select the Wy prefetch operation.

Words: 1

Cycles: 1

Example 1: EDAC W4\*W4, A, [W8]+=2, [W10]-=2, W4 ; Square W4 and  
 ; add to ACCA  
 ; [W8]-[W10] to W4  
 ; Post-increment W8  
 ; Post-decrement W10

	Before Instruction		After Instruction
W4	009A	W4	0057
W8	1100	W8	1102
W10	2300	W10	22FE
ACCA	00 3D0A 3D0A	ACCA	00 3D0A 99AE
Data 1100	007F	Data 1100	007F
Data 2300	0028	Data 2300	0028
SR	0000	SR	0000



# Section 5. Instruction Descriptions

## EXCH

### Exchange Wns and Wnd

Implemented in:	PIC24F	PIC24H	PIC24E	dsPIC30F	dsPIC33F	dsPIC33E
	X	X	X	X	X	X

Syntax: {label;} EXCH Wns, Wnd

Operands: Wns  $\in$  [W0 ... W15]  
Wnd  $\in$  [W0 ... W15]

Operation: (Wns)  $\leftrightarrow$  (Wnd)

Status Affected: None

Encoding:	1111	1101	0000	0ddd	d000	ssss
-----------	------	------	------	------	------	------

Description: Exchange the word contents of two working registers. Register direct addressing must be used for Wns and Wnd.

The 'd' bits select the address of the first register.  
The 's' bits select the address of the second register.

**Note:** This instruction only executes in Word mode.

Words: 1

Cycles: 1

Example 1: EXCH W1, W9 ; Exchange the contents of W1 and W9

	Before Instruction	After Instruction
W1	55FF	A3A3
W9	A3A3	55FF
SR	0000	0000

Example 2: EXCH W4, W5 ; Exchange the contents of W4 and W5

	Before Instruction	After Instruction
W4	ABCD	4321
W5	4321	ABCD
SR	0000	0000

## FBCL

### Find First Bit Change from Left

Implemented in:	PIC24F	PIC24H	PIC24E	dsPIC30F	dsPIC33F	dsPIC33E
	X	X	X	X	X	X

Syntax:            {label:}   FBCL       Ws,            Wnd  
  [Ws],  
  [Ws++],  
  [Ws--],  
  [++Ws],  
  [--Ws],

Operands:           Ws ∈ [W0 ... W15]  
                                  Wnd ∈ [W0 ... W15]

Operation:           Max\_Shift = 15  
                          Sign = (Ws) & 0x8000  
                          Temp = (Ws) << 1  
                          Shift = 0  
                          While ( (Shift < Max\_Shift) && ( (Temp & 0x8000) == Sign) )  
                              Temp = Temp << 1  
                              Shift = Shift + 1  
                          -Shift →(Wnd)

Status Affected:    C

Encoding:	1101	1111	0000	0ddd	dppp	ssss
-----------	------	------	------	------	------	------

Description:        Find the first occurrence of a one (for a positive value), or zero (for a negative value), starting from the Most Significant bit after the sign bit of Ws and working towards the Least Significant bit of the word operand. The bit number result is sign-extended to 16 bits and placed in Wnd.

The next Most Significant bit after the sign bit is allocated bit number 0 and the Least Significant bit is allocated bit number -14. This bit ordering allows for the immediate use of Wd with the SFTAC instruction for scaling values up. If a bit change is not found, a result of -15 is returned and the C flag is set. When a bit change is found, the C flag is cleared.

The 'd' bits select the destination register.  
The 'p' bits select the source Address mode.  
The 's' bits select the source register.

**Note:** This instruction operates in Word mode only.

Words:               1  
Cycles:               1<sup>(1)</sup>

**Note 1:** In dsPIC33E and PIC24E devices, the listed cycle count does not apply to read and read-modify-write operations on non-CPU Special Function Registers. For more details, see **Note 3** in [Section 3.2.1 “Multi-Cycle Instructions”](#).

## Section 5. Instruction Descriptions

Example 1: FBCL W1, W9 ; Find 1st bit change from left in W1  
; and store result to W9

Before Instruction		After Instruction	
W1	55FF	W1	55FF
W9	FFFF	W9	0000
SR	0000	SR	0000

Example 2: FBCL W1, W9 ; Find 1st bit change from left in W1  
; and store result to W9

Before Instruction		After Instruction	
W1	FFFF	W1	FFFF
W9	BBBB	W9	FFF1
SR	0000	SR	0001 (C = 1)

Example 3: FBCL [W1++], W9 ; Find 1st bit change from left in [W1]  
; and store result to W9  
; Post-increment W1

Before Instruction		After Instruction	
W1	2000	W1	2002
W9	BBBB	W9	FFF9
Data 2000	FF0A	Data 2000	FF0A
SR	0000	SR	0000

## FF1L

### Find First One from Left

Implemented in:	PIC24F	PIC24H	PIC24E	dsPIC30F	dsPIC33F	dsPIC33E
	X	X	X	X	X	X

Syntax:             {label:}   FF1L       Ws,        Wnd  
  [Ws],  
  [Ws++],  
  [Ws--],  
  [++Ws],  
  [--Ws],

Operands:           Ws  $\in$  [W0 ... W15]  
                          Wnd  $\in$  [W0 ... W15]

Operation:           Max\_Shift = 17  
                          Temp = (Ws)  
                          Shift = 1  
                          While ( (Shift < Max\_Shift) && !(Temp & 0x8000) )  
                              Temp = Temp << 1  
                              Shift = Shift + 1  
                          If (Shift == Max\_Shift)  
                              0  $\rightarrow$ (Wnd)  
                          Else  
                              Shift  $\rightarrow$ (Wnd)

Status Affected:    C

Encoding:	1100	1111	1000	0ddd	dppp	ssss
-----------	------	------	------	------	------	------

Description:         Finds the first occurrence of a '1' starting from the Most Significant bit of Ws and working towards the Least Significant bit of the word operand. The bit number result is zero-extended to 16 bits and placed in Wnd.

Bit numbering begins with the Most Significant bit (allocated number 1) and advances to the Least Significant bit (allocated number 16). A result of zero indicates a '1' was not found, and the C flag will be set. If a '1' is found, the C flag is cleared.

The 'd' bits select the destination register.  
The 'p' bits select the source Address mode.  
The 's' bits select the source register.

**Note:** This instruction operates in Word mode only.

Words:               1

Cycles:               1(1)

**Note 1:** In dsPIC33E and PIC24E devices, the listed cycle count does not apply to read and read-modify-write operations on non-CPU Special Function Registers. For more details, see **Note 3** in [Section 3.2.1 "Multi-Cycle Instructions"](#).

## Section 5. Instruction Descriptions

Example 1: FF1L W2, W5 ; Find the 1st one from the left in W2  
; and store result to W5

Before Instruction		After Instruction	
W2	000A	W2	000A
W5	BBBB	W5	000D
SR	0000	SR	0000

Example 2: FF1L [W2++], W5 ; Find the 1st one from the left in [W2]  
; and store the result to W5  
; Post-increment W2

Before Instruction		After Instruction	
W2	2000	W2	2002
W5	BBBB	W5	0000
Data 2000	0000	Data 2000	0000
SR	0000	SR	0001 (C = 1)

## FF1R

### Find First One from Right

Implemented in:	PIC24F	PIC24H	PIC24E	dsPIC30F	dsPIC33F	dsPIC33E
	X	X	X	X	X	X

Syntax: {label;} FF1R Ws, Wnd  
 [Ws],  
 [Ws++],  
 [Ws--],  
 [++Ws],  
 [--Ws],

Operands: Ws ∈ [W0 ... W15]  
 Wnd ∈ [W0 ... W15]

Operation: Max\_Shift = 17  
 Temp = (Ws)  
 Shift = 1  
 While ( (Shift < Max\_Shift) && !(Temp & 0x1) )  
   Temp = Temp >> 1  
   Shift = Shift + 1  
 If (Shift == Max\_Shift)  
   0 →(Wnd)  
 Else  
   Shift →(Wnd)

Status Affected: C

Encoding:	1100	1111	0000	0ddd	dppp	ssss
-----------	------	------	------	------	------	------

Description: Finds the first occurrence of a '1' starting from the Least Significant bit of Ws and working towards the Most Significant bit of the word operand. The bit number result is zero-extended to 16 bits and placed in Wnd.

Bit numbering begins with the Least Significant bit (allocated number 1) and advances to the Most Significant bit (allocated number 16). A result of zero indicates a '1' was not found, and the C flag will be set. If a '1' is found, the C flag is cleared.

The 'd' bits select the destination register.  
 The 'p' bits select the source Address mode.  
 The 's' bits select the source register.

**Note:** This instruction operates in Word mode only.

Words: 1

Cycles: 1<sup>(1)</sup>

**Note 1:** In dsPIC33E and PIC24E devices, the listed cycle count does not apply to read and read-modify-write operations on non-CPU Special Function Registers. For more details, see **Note 3** in [Section 3.2.1 "Multi-Cycle Instructions"](#).



# Section 5. Instruction Descriptions

---

Example 1:    FF1R   W1, W9   ; Find the 1st one from the right in W1  
    ; and store the result to W9

Before Instruction		After Instruction	
W1	000A	W1	000A
W9	BBBB	W9	0002
SR	0000	SR	0000

Example 2:    FF1R   [W1++], W9   ; Find the 1st one from the right in [W1]  
    ; and store the result to W9  
    ; Post-increment W1

Before Instruction		After Instruction	
W1	2000	W1	2002
W9	BBBB	W9	0010
Data 2000	8000	Data 2000	8000
SR	0000	SR	0000

## GOTO

### Unconditional Jump

Implemented in:	PIC24F	PIC24H	PIC24E	dsPIC30F	dsPIC33F	dsPIC33E
	X	X	X	X	X	X

Syntax: {label;} GOTO Expr

Operands: Expr may be label or expression (but not a literal).  
Expr is resolved by the linker to a lit23, where lit23 ∈ [0 ... 8388606].

Operation: lit23 →PC  
NOP →Instruction Register

Status Affected: None

Encoding:

1st word	0000	0100	nnnn	nnnn	nnnn	nnn0
2nd word	0000	0000	0000	0000	0nnn	nnnn

Description: Unconditional jump to anywhere within the 4M instruction word program memory range. The PC is loaded with the 23-bit literal specified in the instruction. Since the PC must always reside on an even address boundary, lit23<0> is ignored.

The 'n' bits form the target address.

**Note:** The linker will resolve the specified expression into the lit23 to be used.

Words: 2

Cycles: 2 (PIC24F, PIC24H, dsPIC30F, dsPIC33F)  
4 (PIC24E, dsPIC33E)

Example 1:

```

026000      GOTO  _THERE           ; Jump to _THERE
026004      MOV   W0, W1
.           ...
.           ...
027844  _THERE: MOV  #0x400, W2     ; Code execution
027846      ...                   ; resumes here
    
```

	Before Instruction	After Instruction
PC	02 6000	02 7844
SR	0000	0000

Example 2:

```

000100  _code: ...                ; start of code
.       ...
026000      GOTO  _code+2          ; Jump to _code+2
026004      ...
    
```

	Before Instruction	After Instruction
PC	02 6000	00 0102
SR	0000	0000

## GOTO

### Unconditional Indirect Jump

Implemented in:	PIC24F	PIC24H	PIC24E	dsPIC30F	dsPIC33F	dsPIC33E
	X	X		X		X

Syntax:            {label;}    GOTO        Wn

Operands:        Wn ∈ [W0 ... W15]

Operation:       0 →PC<22:16>  
                   (Wn<15:1>) →PC<15:1>  
                   0 →PC<0>  
                   NOP →Instruction Register

Status Affected: None

Encoding:	0000	0001	0100	0000	0000	ssss
-----------	------	------	------	------	------	------

Description:     Unconditional indirect jump within the first 32K words of program memory. Zero is loaded into PC<22:16> and the value specified in (Wn) is loaded into PC<15:1>. Since the PC must always reside on an even address boundary, Wn<0> is ignored.

The 's' bits select the source register.

Words:            1

Cycles:           2

```

Example 1:    006000            GOTO    W4                    ; Jump unconditionally
                 006002            MOV     W0, W1                ; to 16-bit value in W4
                 .                    ...
                 .                    ...
                 007844  _THERE: MOV    #0x400, W2            ; Code execution
                 007846            ...                            ; resumes here
    
```

	Before Instruction		After Instruction
W4	7844	W4	7844
PC	00 6000	PC	00 7844
SR	0000	SR	0000

## GOTO

### Unconditional Indirect Jump

Implemented in:	PIC24F	PIC24H	PIC24E	dsPIC30F	dsPIC33F	dsPIC33E
			X			X

Syntax:            {label;}    GOTO        Wn

Operands:        Wn ∈ [W0 ... W15]

Operation:       0 →PC<22:16>  
 (Wn<15:1>) →PC<15:1>  
 0 →PC<0>  
 NOP →Instruction Register

Status Affected: None

Encoding:	0000	0001	0000	0100	0000	ssss
-----------	------	------	------	------	------	------

Description:     Unconditional indirect jump within the first 32K words of program memory. Zero is loaded into PC<22:16> and the value specified in (Wn) is loaded into PC<15:1>. Since the PC must always reside on an even address boundary, Wn<0> is ignored.

The 's' bits select the source register.

Words:            1

Cycles:            4

Example 1:    006000            GOTO    W4                    ; Jump unconditionally  
 006002            MOV     W0, W1                ; to 16-bit value in W4  
 .                    ...  
 .                    ...  
 007844 \_THERE: MOV    #0x400, W2                ; Code execution  
 007846            ...                        ; resumes here

	Before Instruction	After Instruction
W4	7844	7844
PC	00 6000	00 7844
SR	0000	0000

# Section 5. Instruction Descriptions

## GOTO.L

### Unconditional Indirect Jump Long

Implemented in:	PIC24F	PIC24H	PIC24E	dsPIC30F	dsPIC33F	dsPIC33E
			X			X

Syntax: {label;} GOTO.L Wn

Operands:  $Wn \in [W0, W2, W4, W6, W8, W10, W12]$

Operation:  $PC\langle 23 \rangle \rightarrow PC\langle 23 \rangle$  (see text);  $(Wn+1)\langle 6:0 \rangle \rightarrow PC\langle 22:16 \rangle$ ;  $(Wn) \rightarrow PC\langle 15:0 \rangle$

Status Affected: None

Encoding:	0000	0001	1www	w100	0000	ssss
-----------	------	------	------	------	------	------

Description: Unconditional indirect jump to any user program memory address.

The LS 7-bits of  $(Wn+1)$  are loaded in  $PC\langle 22:16 \rangle$ , and the 16-bit value  $(Wn)$  is loaded into  $PC\langle 15:0 \rangle$ .

$PC\langle 23 \rangle$  is not modified by this instruction.

The contents of  $(Wn+1)\langle 15:7 \rangle$  are ignored.

The value of  $Wn\langle 0 \rangle$  is also ignored and  $PC\langle 0 \rangle$  is always set to 0.

GOTO is a two-cycle instruction.

The 's' bits select the address of the  $Wn$  source register.

The 'w' bits specify the address of the  $Wn+1$  source register.

Words: 1

Cycles: 4

```

Example 1: 026000      GOTO.L W4                ; Call _FIR subroutine
           026004      MOV     W0, W1
           .           ...
           .           ...
           026844 _FIR: MOV     #0x400, W2        ; _FIR subroutine start
           026846      ...
    
```

	Before Instruction	After Instruction
PC	02 6000	02 6844
W4	6844	6844
W5	0002	0002
W15	A268	A26C
Data A268	FFFF	6004
Data A26A	FFFF	0002
SR	0000	0000

## INC

Increment f

Implemented in:	PIC24F	PIC24H	PIC24E	dsPIC30F	dsPIC33F	dsPIC33E
	X	X	X	X	X	X

Syntax:            {label:}   INC{.B}    f            {,WREG}

Operands:         f ∈ [0 ... 8191]

Operation:        (f) + 1 →destination designated by D

Status Affected: DC, N, OV, Z, C

Encoding:	1110	1100	0BDf	ffff	ffff	ffff
-----------	------	------	------	------	------	------

Description: Add one to the contents of the file register, and place the result in the destination register. The optional WREG operand determines the destination register. If WREG is specified, the result is stored in WREG. If WREG is not specified, the result is stored in the file register.

The 'B' bit selects byte or word operation ('0' for word, '1' for byte).

The 'D' bit selects the destination ('0' for WREG, '1' for file register).

The 'f' bits select the address of the file register.

**Note 1:** The extension .B in the instruction denotes a byte operation rather than a word operation. You may use a .W extension to denote a word operation, but it is not required.

**2:** The WREG is set to working register W0.

Words:            1

Cycles:           1<sup>(1)</sup>

**Note 1:** In dsPIC33E and PIC24E devices, the listed cycle count does not apply to read and read-modify-write operations on non-CPU Special Function Registers. For more details, see **Note 3** in [Section 3.2.1 "Multi-Cycle Instructions"](#).

Example 1:    INC.B 0x1000           ; Increment 0x1000 (Byte mode)

	Before Instruction	After Instruction
Data 1000	8FFF	8F00
SR	0000	0101 (DC, C = 1)

Example 2:    INC 0x1000, WREG    ; Increment 0x1000 and store to WREG  
  ; (Word mode)

	Before Instruction	After Instruction
WREG	ABCD	9000
Data 1000	8FFF	8FFF
SR	0000	0108 (DC, N = 1)

## Section 5. Instruction Descriptions

### INC

#### Increment Ws

Implemented in:	PIC24F	PIC24H	PIC24E	dsPIC30F	dsPIC33F	dsPIC33E
	X	X	X	X	X	X

Syntax:            {label;}    INC{.B}        Ws,            Wd  
  [Ws],        [Wd]  
  [Ws++],    [Wd++]  
  [Ws--],    [Wd--]  
  [++Ws],    [++Wd]  
  [--Ws],    [--Wd]

Operands:            Ws ∈ [W0 ... W15]  
                          Wd ∈ [W0 ... W15]

Operation:           (Ws) + 1 →Wd

Status Affected:    DC, N, OV, Z, C

Encoding:            

1110	1000	0Bqq	qddd	dppp	ssss
------	------	------	------	------	------

Description:         Add 1 to the contents of the source register Ws and place the result in the destination register Wd. Register direct or indirect addressing may be used for Ws and Wd.

The 'B' bit selects byte or word operation ('0' for word, '1' for byte).

The 'q' bits select the destination Address mode.

The 'd' bits select the destination register.

The 'p' bits select the source Address mode.

The 's' bits select the source register.

**Note:**    The extension .B in the instruction denotes a byte operation rather than a word operation. You may use a .W extension to denote a word operation, but it is not required.

Words:                1

Cycles:               1(1)

**Note 1:**    In dsPIC33E and PIC24E devices, the listed cycle count does not apply to read and read-modify-write operations on non-CPU Special Function Registers. For more details, see **Note 3** in [Section 3.2.1 "Multi-Cycle Instructions"](#).

Example 1:        INC.B W1, [++W2]             ; Pre-increment W2  
  ; Increment W1 and store to W2  
  ; (Byte mode)

Before Instruction		After Instruction		(DC, N, OV = 1)
W1	FF7F	W1	FF7F	
W2	2000	W2	2001	
Data 2000	ABCD	Data 2000	80CD	
SR	0000	SR	010C	

# 16-bit MCU and DSC Programmer's Reference Manual

---

Example 2:    INC W1, W2                    ; Increment W1 and store to W2  
   ; (Word mode)

Before		After	
Instruction		Instruction	
W1	FF7F	W1	FF7F
W2	2000	W2	FF80
SR	0000	SR	0108 (DC, N = 1)



# Section 5. Instruction Descriptions

## INC2

Increment f by 2

Implemented in:	PIC24F	PIC24H	PIC24E	dsPIC30F	dsPIC33F	dsPIC33E
	X	X	X	X	X	X

Syntax: `{label;} INC2{.B} f {,WREG}`

Operands:  $f \in [0 \dots 8191]$

Operation:  $(f) + 2 \rightarrow \text{destination designated by D}$

Status Affected: DC, N, OV, Z, C

Encoding:	1110	1100	1BDf	ffff	ffff	ffff
-----------	------	------	------	------	------	------

Description: Add 2 to the contents of the file register and place the result in the destination register. The optional WREG operand determines the destination register. If WREG is specified, the result is stored in WREG. If WREG is not specified, the result is stored in the file register.

The 'B' bit selects byte or word operation ('0' for word, '1' for byte).  
The 'D' bit selects the destination ('0' for WREG, '1' for file register).  
The 'f' bits select the address of the file register.

**Note:** The extension .B in the instruction denotes a byte operation rather than a word operation. You may use a .W extension to denote a word operation, but it is not required.

Words: 1

Cycles: 1<sup>(1)</sup>

**Note 1:** In dsPIC33E and PIC24E devices, the listed cycle count does not apply to read and read-modify-write operations on non-CPU Special Function Registers. For more details, see **Note 3** in [Section 3.2.1 "Multi-Cycle Instructions"](#).

**Example 1:** `INC2.B 0x1000 ; Increment 0x1000 by 2 ; (Byte mode)`

	Before Instruction	After Instruction	
Data 1000	8FFF	8F01	(DC, C = 1)
SR	0000	0101	

**Example 2:** `INC2 0x1000, WREG ; Increment 0x1000 by 2 and store to WREG ; (Word mode)`

	Before Instruction	After Instruction	
WREG	ABCD	9001	(DC, N = 1)
Data 1000	8FFF	8FFF	
SR	0000	0108	

## INC2

Increment Ws by 2

Implemented in:	PIC24F	PIC24H	PIC24E	dsPIC30F	dsPIC33F	dsPIC33E
	X	X	X	X	X	X

Syntax: {label;} INC2{.B} Ws, Wd

[Ws], [Wd]

[Ws++], [Wd++]

[Ws--], [Wd--]

[++Ws], [++Wd]

[--Ws], [--Wd]

Operands: Ws ∈ [W0 ... W15]  
Wd ∈ [W0 ... W15]

Operation: (Ws) + 2 →Wd

Status Affected: DC, N, OV, Z, C

Encoding:	1110	1000	1Bqq	qddd	dppp	ssss
-----------	------	------	------	------	------	------

Description: Add 2 to the contents of the source register Ws and place the result in the destination register Wd. Register direct or indirect addressing may be used for Ws and Wd.

The 'B' bit selects byte or word operation ('0' for word, '1' for byte).

The 'q' bits select the destination Address mode.

The 'd' bits select the destination register.

The 'p' bits select the source Address mode.

The 's' bits select the source register.

**Note:** The extension .B in the instruction denotes a byte operation rather than a word operation. You may use a .W extension to denote a word operation, but it is not required.

Words: 1

Cycles: 1<sup>(1)</sup>

**Note 1:** In dsPIC33E and PIC24E devices, the listed cycle count does not apply to read and read-modify-write operations on non-CPU Special Function Registers. For more details, see **Note 3** in [Section 3.2.1 "Multi-Cycle Instructions"](#).

Example 1: INC2.B W1, [++W2] ; Pre-increment W2  
; Increment by 2 and store to W1  
; (Byte mode)

	Before Instruction	After Instruction
W1	FF7F	FF7F
W2	2000	2001
Data 2000	ABCD	81CD
SR	0000	010C (DC, N, OV = 1)

## Section 5. Instruction Descriptions

---

Example 2:    INC2   W1, W2    ; Increment W1 by 2 and store to W2  
; (word mode)

Before		After	
Instruction		Instruction	
W1	FF7F	W1	FF7F
W2	2000	W2	FF81
SR	0000	SR	0108 (DC, N = 1)

## IOR

Inclusive OR f and WREG

Implemented in:	PIC24F	PIC24H	PIC24E	dsPIC30F	dsPIC33F	dsPIC33E
	X	X	X	X	X	X

Syntax:            {label:}    IOR{.B}    f            {,WREG}

Operands:        f ∈ [0 ... 8191]

Operation:        (f).IOR.(WREG) →destination designated by D

Status Affected: N, Z

Encoding:	1011	0111	0BDf	ffff	ffff	ffff
-----------	------	------	------	------	------	------

Description:        Compute the logical inclusive OR operation of the contents of the working register WREG and the contents of the file register and place the result in the destination register. The optional WREG operand determines the destination register. If WREG is specified, the result is stored in WREG. If WREG is not specified, the result is stored in the file register.

The 'B' bit selects byte or word operation ('0' for word, '1' for byte).  
The 'D' bit selects the destination ('0' for WREG, '1' for file register).  
The 'f' bits select the address of the file register.

**Note 1:** The extension .B in the instruction denotes a byte operation rather than a word operation. You may use a .W extension to denote a word operation, but it is not required.

**2:** The WREG is set to working register W0.

Words:            1

Cycles:            1<sup>(1)</sup>

**Note 1:** In dsPIC33E and PIC24E devices, the listed cycle count does not apply to read and read-modify-write operations on non-CPU Special Function Registers. For more details, see **Note 3** in [Section 3.2.1 "Multi-Cycle Instructions"](#).

Example 1:        IOR.B 0x1000            ; IOR WREG to (0x1000) (Byte mode)  
   ; (Byte mode)

	Before Instruction		After Instruction
WREG	1234		1234
Data 1000	FF00		FF34
SR	0000		0000

Example 2:        IOR 0x1000, WREG        ; IOR (0x1000) to WREG  
   ; (Word mode)

	Before Instruction		After Instruction
WREG	1234		1FBF
Data 1000	0FAB		0FAB
SR	0008 (N = 1)		0000

## Section 5. Instruction Descriptions

### IOR

#### Inclusive OR Literal and Wn

Implemented in:	PIC24F	PIC24H	PIC24E	dsPIC30F	dsPIC33F	dsPIC33E
	X	X	X	X	X	X

Syntax: {label:} IOR{.B} #lit10, Wn

Operands: lit10  $\in$  [0 ... 255] for byte operation  
 lit10  $\in$  [0 ... 1023] for word operation  
 Wn  $\in$  [W0 ... W15]

Operation: lit10.IOR.(Wn)  $\rightarrow$ Wn

Status Affected: N, Z

Encoding:	1011	0011	0Bkk	kkkk	kkkk	dddd
-----------	------	------	------	------	------	------

Description: Compute the logical inclusive OR operation of the 10-bit literal operand and the contents of the working register Wn and place the result back into the working register Wn.

The 'B' bit selects byte or word operation ('0' for word, '1' for byte).

The 'k' bits specify the literal operand.

The 'd' bits select the address of the working register.

**Note 1:** The extension .B in the instruction denotes a byte operation rather than a word operation. You may use a .W extension to denote a word operation, but it is not required.

**2:** For byte operations, the literal must be specified as an unsigned value [0:255]. See [Section 4.6 “Using 10-bit Literal Operands”](#) for information on using 10-bit literal operands in Byte mode.

Words: 1

Cycles: 1

Example 1: IOR.B #0xAA, W9 ; IOR 0xAA to W9  
 ; (Byte mode)

	Before Instruction		After Instruction
W9	1234	W9	12BE
SR	0000	SR	0008 (N = 1)

Example 2: IOR #0x2AA, W4 ; IOR 0x2AA to W4  
 ; (Word mode)

	Before Instruction		After Instruction
W4	A34D	W4	A3EF
SR	0000	SR	0008 (N = 1)

## IOR

### Inclusive OR Wb and Short Literal

Implemented in:	PIC24F	PIC24H	PIC24E	dsPIC30F	dsPIC33F	dsPIC33E
	X	X	X	X	X	X

Syntax:            {label:}    IOR{.B}    Wb,           #lit5,            Wd  
    [Wd]  
    [Wd++]  
    [Wd--]  
    [++Wd]  
    [--Wd]

Operands:          Wb ∈ [W0 ... W15]  
                          lit5 ∈ [0 ... 31]  
                          Wd ∈ [W0 ... W15]

Operation:        (Wb).IOR.lit5 →Wd

Status Affected:    N, Z

Encoding:	0111	0www	wBqq	qddd	d11k	kkkk
-----------	------	------	------	------	------	------

Description:      Compute the logical inclusive OR operation of the contents of the base register Wb and the 5-bit literal operand and place the result in the destination register Wd. Register direct addressing must be used for Wb. Either register direct or indirect addressing may be used for Wd.

The 'w' bits select the address of the base register.

The 'B' bit selects byte or word operation ('0' for word, '1' for byte).

The 'q' bits select the destination Address mode.

The 'd' bits select the destination register.

The 'k' bits provide the literal operand, a five-bit integer number.

**Note:** The extension .B in the instruction denotes a byte operation rather than a word operation. You may use a .W extension to denote a word operation, but it is not required.

Words:             1

Cycles:            1

Example 1:        IOR.B W1, #0x5, [W9++] ; IOR W1 and 0x5 (Byte mode)  
    ; Store to [W9]  
    ; Post-increment W9

Before Instruction		After Instruction	
W1	AAAA	W1	AAAA
W9	2000	W9	2001
Data 2000	0000	Data 2000	00AF
SR	0000	SR	0008

(N = 1)

Example 2:        IOR W1, #0x0, W9 ; IOR W1 with 0x0 (Word mode)  
    ; Store to W9

Before Instruction		After Instruction	
W1	0000	W1	0000
W9	A34D	W9	0000
SR	0000	SR	0002

(Z = 1)

## IOR

Inclusive OR Wb and Ws

Implemented in:	PIC24F	PIC24H	PIC24E	dsPIC30F	dsPIC33F	dsPIC33E
	X	X	X	X	X	X

Syntax:            {label;}    IOR{.B}    Wb,        Ws,        Wd  
    [Ws],      [Wd]  
    [Ws++],    [Wd++]  
    [Ws--],    [Wd--]  
    [++Ws],    [++Wd]  
    [--Ws],    [--Wd]

Operands:        Wb ∈ [W0 ... W15]  
    Ws ∈ [W0 ... W15]  
    Wd ∈ [W0 ... W15]

Operation:        (Wb).IOR.(Ws) →Wd

Status Affected:  N, Z

Encoding:	0111	0www	wBqq	qddd	dppp	ssss
-----------	------	------	------	------	------	------

Description:     Compute the logical inclusive OR operation of the contents of the source register Ws and the contents of the base register Wb, and place the result in the destination register Wd. Register direct addressing must be used for Wb. Either register direct or indirect addressing may be used for Ws and Wd.

- The 'w' bits select the address of the base register.
- The 'B' bit selects byte or word operation ('0' for word, '1' for byte).
- The 'q' bits select the destination Address mode.
- The 'd' bits select the destination register.
- The 'p' bits select the source Address mode.
- The 's' bits select the source register.

**Note:**     The extension .B in the instruction denotes a byte operation rather than a word operation. You may use a .W extension to denote a word operation, but it is not required.

Words:            1  
 Cycles:           1<sup>(1)</sup>

**Note 1:**     In dsPIC33E and PIC24E devices, the listed cycle count does not apply to read and read-modify-write operations on non-CPU Special Function Registers. For more details, see **Note 3** in [Section 3.2.1 "Multi-Cycle Instructions"](#).

Example 1:     IOR.B W1, [W5++], [W9++]    ; IOR W1 and [W5] (Byte mode)  
    ; Store result to [W9]  
    ; Post-increment W5 and W9

	Before Instruction		After Instruction		
W1	AAAA		AAAA		
W5	2000		2001		
W9	2400		2401		
Data 2000	1155		1155		
Data 2400	0000		00FF		
SR	0000		0008		(N = 1)

# 16-bit MCU and DSC Programmer's Reference Manual

---

---

Example 2:    IOR W1, W5, W9                    ; IOR W1 and W5 (Word mode)  
   ; Store the result to W9

Before Instruction		After Instruction	
W1	AAAA	W1	AAAA
W5	5555	W5	5555
W9	A34D	W9	FFFF
SR	0000	SR	0008 (N = 1)



## LAC

### Load Accumulator

Implemented in:	PIC24F	PIC24H	PIC24E	dsPIC30F	dsPIC33F	dsPIC33E
				X	X	X

Syntax:            {label:}    LAC            Ws,            {#Slit4,}    Acc

[Ws],  
[Ws++],  
[Ws--],  
[--Ws],  
[++Ws],  
[Ws+Wb],

Operands:        Ws ∈ [W0 ... W15]  
                  Wb ∈ [W0 ... W15]  
                  Slit4 ∈ [-8 ... +7]  
                  Acc ∈ [A,B]

Operation:        Shift<sub>Slit4</sub>(Extend(Ws)) →Acc(A or B)

Status Affected: OA, OB, OAB, SA, SB, SAB

Encoding:	1100	1010	Awww	wrrr	rggg	ssss
-----------	------	------	------	------	------	------

Description:     Read the contents of the source register, optionally perform a signed 4-bit shift and store the result in the specified accumulator. The shift range is -8:7, where a negative operand indicates an arithmetic left shift and a positive operand indicates an arithmetic right shift. The data stored in the source register is assumed to be 1.15 fractional data and is automatically sign-extended (through bit 39) and zero-backfilled (bits [15:0]), prior to shifting.

The 'A' bit specifies the destination accumulator.

The 'w' bits specify the offset register Wb.

The 'r' bits encode the accumulator pre-shift.

The 'g' bits select the source Address mode.

The 's' bits specify the source register Ws.

**Note:** If the operation moves more than sign-extension data into the upper Accumulator register (AccxU), or causes a saturation, the appropriate overflow and saturation bits will be set.

Words:            1

Cycles:           1<sup>(1)</sup>

**Note 1:** In dsPIC33E and PIC24E devices, the listed cycle count does not apply to read and read-modify-write operations on non-CPU Special Function Registers. For more details, see **Note 3** in [Section 3.2.1 “Multi-Cycle Instructions”](#).

# 16-bit MCU and DSC Programmer's Reference Manual

---

---

Example 1:    LAC    [W4++], #-3, B    ; Load ACCB with [W4] << 3  
   ; Contents of [W4] do not change  
   ; Post increment W4  
   ; Assume saturation disabled  
   ; (SATB = 0)

Before Instruction		After Instruction		
W4	2000	W4	2002	
ACCB	00 5125 ABCD	ACCB	FF 9108 0000	
Data 2000	1221	Data 2000	1221	
SR	0000	SR	4800	(OB, OAB = 1)

Example 2:    LAC    [--W2], #7, A    ; Pre-decrement W2  
   ; Load ACCA with [W2] >> 7  
   ; Contents of [W2] do not change  
   ; Assume saturation disabled  
   ; (SATA = 0)

Before Instruction		After Instruction		
W2	4002	W2	4000	
ACCA	00 5125 ABCD	ACCA	FF FF22 1000	
Data 4000	9108	Data 4000	9108	
Data 4002	1221	Data 4002	1221	
SR	0000	SR	0000	

# Section 5. Instruction Descriptions

## LNK

### Allocate Stack Frame

Implemented in:	PIC24F	PIC24H	PIC24E	dsPIC30F	dsPIC33F	dsPIC33E
	X	X		X	X	

Syntax: {label;} LNK #lit14

Operands: lit14 ∈ [0 ... 16382]

Operation:  
 (W14) →(TOS)  
 (W15) + 2 →W15  
 (W15) →W14  
 (W15) + lit14 →W15

Status Affected: None

Encoding:	1111	1010	00kk	kkkk	kkkk	kkk0
-----------	------	------	------	------	------	------

Description: This instruction allocates a Stack Frame of size lit14 bytes for a subroutine calling sequence. The Stack Frame is allocated by PUSHing the contents of the Frame Pointer (W14) onto the stack, storing the updated Stack Pointer (W15) to the Frame Pointer and then incrementing the Stack Pointer by the unsigned 14-bit literal operand. This instruction supports a maximum Stack Frame of 16382 bytes.

The 'k' bits specify the size of the Stack Frame.

**Note:** Since the Stack Pointer can only reside on a word boundary, lit14 must be even.

Words: 1

Cycles: 1

Example 1: LNK #0xA0 ; Allocate a stack frame of 160 bytes

	Before Instruction		After Instruction
W14	2000	W14	2002
W15	2000	W15	20A2
Data 2000	0000	Data 2000	2000
SR	0000	SR	0000

## LNK

### Allocate Stack Frame

Implemented in:	PIC24F	PIC24H	PIC24E	dsPIC30F	dsPIC33F	dsPIC33E
			X			X

Syntax:            {label:}    LNK            #lit14

Operands:        lit14 ∈ [0 ... 16382]

Operation:        (W14) →(TOS)  
 (W15) + 2 →W15  
 (W15) →W14  
 1 →SFA bit  
 (W15) + lit14 →W15

Status Affected: SFA

Encoding:	1111	1010	00kk	kkkk	kkkk	kkk0
-----------	------	------	------	------	------	------

Description: This instruction allocates a Stack Frame of size lit14 bytes for a subroutine calling sequence. The Stack Frame is allocated by PUSHing the contents of the Frame Pointer (W14) onto the stack, storing the updated Stack Pointer (W15) to the Frame Pointer and then incrementing the Stack Pointer by the unsigned 14-bit literal operand. This instruction supports a maximum Stack Frame of 16382 bytes.

The 'k' bits specify the size of the Stack Frame.

**Note:** Since the Stack Pointer can only reside on a word boundary, lit14 must be even.

Words:            1

Cycles:           1

Example 1:    LNK #0xA0 ; Allocate a stack frame of 160 bytes

	Before Instruction		After Instruction
W14	2000	W14	2002
W15	2000	W15	20A2
Data 2000	0000	Data 2000	2000
SR	0000	SR	0000
CORCON	0000	CORCON	0004

# Section 5. Instruction Descriptions

## LSR

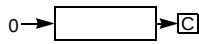
### Logical Shift Right f

Implemented in:	PIC24F	PIC24H	PIC24E	dsPIC30F	dsPIC33F	dsPIC33E
	X	X	X	X	X	X

Syntax: {label;} LSR{.B} f {,WREG}

Operands:  $f \in [0 \dots 8191]$

Operation: For byte operation:  
 $0 \rightarrow \text{Dest}\langle 7 \rangle$   
 $(f\langle 7:1 \rangle) \rightarrow \text{Dest}\langle 6:0 \rangle$   
 $(f\langle 0 \rangle) \rightarrow C$   
For word operation:  
 $0 \rightarrow \text{Dest}\langle 15 \rangle$   
 $(f\langle 15:1 \rangle) \rightarrow \text{Dest}\langle 14:0 \rangle$   
 $(f\langle 0 \rangle) \rightarrow C$



Status Affected: N, Z, C

Encoding:	1101	0101	0BDF	ffff	ffff	ffff
-----------	------	------	------	------	------	------

Description: Shift the contents of the file register one bit to the right and place the result in the destination register. The Least Significant bit of the file register is shifted into the Carry bit of the STATUS register. Zero is shifted into the Most Significant bit of the destination register.

The optional WREG operand determines the destination register. If WREG is specified, the result is stored in WREG. If WREG is not specified, the result is stored in the file register.

The 'B' bit selects byte or word operation ('0' for word, '1' for byte).  
 The 'D' bit selects the destination ('0' for WREG, '1' for file register).  
 The 'f' bits select the address of the file register.

- Note 1:** The extension .B in the instruction denotes a byte operation rather than a word operation. You may use a .W extension to denote a word operation, but it is not required.
- 2:** The WREG is set to working register W0.

Words: 1

Cycles: 1(1)

**Note 1:** In dsPIC33E and PIC24E devices, the listed cycle count does not apply to read and read-modify-write operations on non-CPU Special Function Registers. For more details, see **Note 3** in [Section 3.2.1 "Multi-Cycle Instructions"](#).

Example 1: LSR.B 0x600 ; Logically shift right (0x600) by one  
 ; (Byte mode)

	Before	After	
	Instruction	Instruction	
Data 600	55FF	557F	(C = 1)
SR	0000	0001	



# Section 5. Instruction Descriptions

## LSR

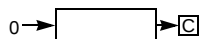
### Logical Shift Right Ws

Implemented in:	PIC24F	PIC24H	PIC24E	dsPIC30F	dsPIC33F	dsPIC33E
	X	X	X	X	X	X

Syntax: {label:} LSR{.B} Ws, Wd  
 [Ws], [Wd]  
 [Ws++], [Wd++]  
 [Ws--], [Wd--]  
 [++Ws], [++Wd]  
 [--Ws], [--Wd]

Operands: Ws  $\in$  [W0 ... W15]  
 Wd  $\in$  [W0 ... W15]

Operation: For byte operation:  
 $\theta \rightarrow Wd<7>$   
 $(Ws<7:1>) \rightarrow Wd<6:0>$   
 $(Ws<0>) \rightarrow C$   
For word operation:  
 $\theta \rightarrow Wd<15>$   
 $(Ws<15:1>) \rightarrow Wd<14:0>$   
 $(Ws<0>) \rightarrow C$



Status Affected: N, Z, C

Encoding:	1101	0001	0Bqq	qddd	dppp	ssss
-----------	------	------	------	------	------	------

Description: Shift the contents of the source register Ws one bit to the right, and place the result in the destination register Wd. The Least Significant bit of Ws is shifted into the Carry bit of the STATUS register. Zero is shifted into the Most Significant bit of Wd. Either register direct or indirect addressing may be used for Ws and Wd.

The 'B' bit selects byte or word operation ('0' for word, '1' for byte).

The 'q' bits select the destination Address mode.

The 'd' bits select the destination register.

The 'p' bits select the source Address mode.

The 's' bits select the source register.

**Note:** The extension .B in the instruction denotes a byte operation rather than a word operation. You may use a .W extension to denote a word operation, but it is not required.

Words: 1

Cycles: 1<sup>(1)</sup>

**Note 1:** In dsPIC33E and PIC24E devices, the listed cycle count does not apply to read and read-modify-write operations on non-CPU Special Function Registers. For more details, see **Note 3** in [Section 3.2.1 "Multi-Cycle Instructions"](#).

# 16-bit MCU and DSC Programmer's Reference Manual

---

---

Example 1:    LSR.B W0, W1            ; LSR W0 (Byte mode)  
   ; Store result to W1

Before		After	
Instruction		Instruction	
W0	FF03	W0	FF03
W1	2378	W1	2301
SR	0000	SR	0001 (C = 1)

Example 2:    LSR W0, W1            ; LSR W0 (Word mode)  
   ; Store the result to W1

Before		After	
Instruction		Instruction	
W0	8000	W0	8000
W1	2378	W1	4000
SR	0000	SR	0000



# Section 5. Instruction Descriptions

## LSR

### Logical Shift Right by Short Literal

Implemented in:	PIC24F	PIC24H	PIC24E	dsPIC30F	dsPIC33F	dsPIC33E
	X	X	X	X	X	X

Syntax: {label:} LSR Wb, #lit4, Wnd

Operands: Wb ∈ [W0 ... W15]  
lit4 ∈ [0 ... 15]  
Wnd ∈ [W0 ... W15]

Operation: lit4<3:0> → Shift\_Val  
0 → Wnd<15:15-Shift\_Val + 1>  
Wb<15:Shift\_Val> → Wnd<15-Shift\_Val:0>

Status Affected: N, Z

Encoding:	1101	1110	0www	wddd	d100	kkkk
-----------	------	------	------	------	------	------

Description: Logical shift right the contents of the source register Wb by the 4-bit unsigned literal and store the result in the destination register Wnd. Direct addressing must be used for Wb and Wnd.

The 'w' bits select the address of the base register.  
The 'd' bits select the destination register.  
The 'k' bits provide the literal operand.

**Note:** This instruction operates in Word mode only.

Words: 1

Cycles: 1

Example 1: LSR W4, #14, W5 ; LSR W4 by 14  
; Store result to W5

	Before Instruction	After Instruction
W4	C800	C800
W5	1200	0003
SR	0000	0000

Example 2: LSR W4, #1, W5 ; LSR W4 by 1  
; Store result to W5

	Before Instruction	After Instruction
W4	0505	0505
W5	F000	0282
SR	0000	0000

## LSR

### Logical Shift Right by Wns

Implemented in:	PIC24F	PIC24H	PIC24E	dsPIC30F	dsPIC33F	dsPIC33E
	X	X	X	X	X	X

Syntax: {label:} LSR Wb, Wns, Wnd

Operands: Wb ∈ [W0 ... W15]  
 Wns ∈ [W0 ... W15]  
 Wnd ∈ [W0 ... W15]

Operation: Wns<4:0> → Shift\_Val  
 0 → Wnd<15:15-Shift\_Val + 1>  
 Wb<15:Shift\_Val> → Wnd<15 - Shift\_Val:0>

Status Affected: N, Z

Encoding:	1101	1110	0www	wddd	d000	ssss
-----------	------	------	------	------	------	------

Description: Logical shift right the contents of the source register Wb by the 5 Least Significant bits of Wns (only up to 15 positions) and store the result in the destination register Wnd. Direct addressing must be used for Wb and Wnd.

The 'w' bits select the address of the base register.  
 The 'd' bits select the destination register.  
 The 's' bits select the source register.

- Note 1:** This instruction operates in Word mode only.  
**2:** If Wns is greater than 15, Wnd will be loaded with 0x0.

Words: 1

Cycles: 1

Example 1: LSR W0, W1, W2 ; LSR W0 by W1  
 ; Store result to W2

	Before Instruction	After Instruction
W0	C00C	C00C
W1	0001	0001
W2	2390	6006
SR	0000	0000

Example 2: LSR W5, W4, W3 ; LSR W5 by W4  
 ; Store result to W3

	Before Instruction	After Instruction
W3	DD43	0000
W4	000C	000C
W5	0800	0800
SR	0000	0002 (Z = 1)

# Section 5. Instruction Descriptions

## MAC

### Multiply and Accumulate

Implemented in:	PIC24F	PIC24H	PIC24E	dsPIC30F	dsPIC33F	dsPIC33E
				X	X	X

Syntax: {label:} MAC       $Wm * Wn$ , Acc {,[Wx], Wxd}      {,[Wy], Wyd} {,AWB}

{,[Wx] + = kx, Wxd}      {,[Wy] + = ky, Wyd}

{,[Wx] – = kx, Wxd}      {,[Wy] – = ky, Wyd}

{,[W9 + W12], Wxd}      {,[W11 + W12], Wyd}

Operands:       $Wm * Wn \in [W4 * W5, W4 * W6, W4 * W7, W5 * W6, W5 * W7, W6 * W7]$   
 Acc  $\in [A, B]$   
 $Wx \in [W8, W9]$ ;  $kx \in [-6, -4, -2, 2, 4, 6]$ ;  $Wxd \in [W4 \dots W7]$   
 $Wy \in [W10, W11]$ ;  $ky \in [-6, -4, -2, 2, 4, 6]$ ;  $Wyd \in [W4 \dots W7]$   
 $AWB \in [W13, [W13] + = 2]$

Operation:       $(Acc(A \text{ or } B)) + (Wm) * (Wn) \rightarrow Acc(A \text{ or } B)$   
 $([Wx]) \rightarrow Wxd$ ;  $(Wx) + kx \rightarrow Wx$   
 $([Wy]) \rightarrow Wyd$ ;  $(Wy) + ky \rightarrow Wy$   
 $(Acc(B \text{ or } A)) \text{ rounded} \rightarrow AWB$

Status Affected:      OA, OB, OAB, SA, SB, SAB

Encoding:	1100	0mmm	A0xx	yyii	ijjj	jjaa
-----------	------	------	------	------	------	------

Description:      Multiply the contents of two working registers, optionally prefetch operands in preparation for another MAC type instruction and optionally store the unspecified accumulator results. The 32-bit result of the signed multiply is sign-extended to 40 bits and added to the specified accumulator.

Operands Wx, Wxd, Wy and Wyd specify optional prefetch operations, which support indirect and register offset addressing, as described in [Section 4.14.1 “MAC Prefetches”](#). Operand AWB specifies the optional store of the “other” accumulator, as described in [Section 4.14.4 “MAC Write Back”](#).

The ‘m’ bits select the operand registers Wm and Wn for the multiply.  
 The ‘A’ bit selects the accumulator for the result.  
 The ‘x’ bits select the prefetch Wxd destination.  
 The ‘y’ bits select the prefetch Wyd destination.  
 The ‘i’ bits select the Wx prefetch operation.  
 The ‘j’ bits select the Wy prefetch operation.  
 The ‘a’ bits select the accumulator Write Back destination.

- Note 1:** The IF bit (CORCON<0>), determines if the multiply is fractional or an integer.
- 2:** The US<1:0> bits (CORCON<13:12> in dsPIC33E, CORCON<12> in dsPIC30F/dsPIC33F) determine if the multiply is unsigned, signed, or mixed-sign. Only dsPIC33E devices support mixed-sign multiplication.

Words:      1  
 Cycles:      1

# 16-bit MCU and DSC Programmer's Reference Manual

---

Example 1: MAC W4\*W5, A, [W8] +=6, W4, [W10] +=2, W5  
 ; Multiply W4\*W5 and add to ACCA  
 ; Fetch [W8] to W4, Post-increment W8 by 6  
 ; Fetch [W10] to W5, Post-increment W10 by 2  
 ; CORCON = 0x00C0 (fractional multiply, normal saturation)

Before Instruction		After Instruction	
W4	A022	W4	2567
W5	B900	W5	909C
W8	0A00	W8	0A06
W10	1800	W10	1802
ACCA	00 1200 0000	ACCA	00 472D 2400
Data 0A00	2567	Data 0A00	2567
Data 1800	909C	Data 1800	909C
CORCON	00C0	CORCON	00C0
SR	0000	SR	0000

Example 2: MAC W4\*W5, A, [W8] -=2, W4, [W10] +=2, W5, W13  
 ; Multiply W4\*W5 and add to ACCA  
 ; Fetch [W8] to W4, Post-decrement W8 by 2  
 ; Fetch [W10] to W5, Post-increment W10 by 2  
 ; Write Back ACCB to W13  
 ; CORCON = 0x00D0 (fractional multiply, super saturation)

Before Instruction		After Instruction	
W4	1000	W4	5BBE
W5	3000	W5	C967
W8	0A00	W8	09FE
W10	1800	W10	1802
W13	2000	W13	0001
ACCA	23 5000 2000	ACCA	23 5600 2000
ACCB	00 0000 8F4C	ACCB	00 0000 1F4C
Data 0A00	5BBE	Data 0A00	5BBE
Data 1800	C967	Data 1800	C967
CORCON	00D0	CORCON	00D0
SR	0000	SR	8800 (OA, OAB = 1)

# Section 5. Instruction Descriptions

## MAC

### Square and Accumulate

Implemented in:	PIC24F	PIC24H	PIC24E	dsPIC30F	dsPIC33F	dsPIC33E
				X	X	X

Syntax: {label:} MAC Wm\*Wm, Acc {[Wx], Wxd} {[Wy], Wyd}

{[Wx] + = kx, Wxd} {[Wy] + = ky, Wyd}

{[Wx] – = kx, Wxd} {[Wy] – = ky, Wyd}

{[W9 + W12], Wxd} {[W11 + W12], Wyd}

Operands: Wm \* Wm ∈ [W4 \* W4, W5 \* W5, W6 \* W6, W7 \* W7]  
 Acc ∈ [A,B]  
 Wx ∈ [W8, W9]; kx ∈ [-6, -4, -2, 2, 4, 6]; Wxd ∈ [W4 ... W7]  
 Wy ∈ [W10, W11]; ky ∈ [-6, -4, -2, 2, 4, 6]; Wyd ∈ [W4 ... W7]

Operation: (Acc(A or B)) +(Wm) \* (Wm) →Acc(A or B)  
 ([Wx]) →Wxd; (Wx) + kx →Wx  
 ([Wy]) →Wyd; (Wy) + ky →Wy

Status Affected: OA, OB, OAB, SA, SB, SAB

Encoding:	1111	00mm	A0xx	yyii	ijjj	jj00
-----------	------	------	------	------	------	------

Description: Square the contents of a working register, optionally prefetch operands in preparation for another MAC type instruction. The 32-bit result of the signed multiply is sign-extended to 40 bits and added to the specified accumulator.

Operands Wx, Wxd, Wy and Wyd specify optional prefetch operations, which support indirect and register offset addressing, as described in [Section 4.14.1 “MAC Prefetches”](#).

The ‘m’ bits select the operand register Wm for the square.

The ‘A’ bit selects the accumulator for the result.

The ‘x’ bits select the prefetch Wxd destination.

The ‘y’ bits select the prefetch Wyd destination.

The ‘i’ bits select the Wx prefetch operation.

The ‘j’ bits select the Wy prefetch operation.

**Note 1:** The IF bit (CORCON<0>), determines if the multiply is fractional or an integer.

**2:** The US<1:0> bits (CORCON<13:12> in dsPIC33E, CORCON<12> in dsPIC30F/dsPIC33F) determine if the multiply is unsigned, signed, or mixed-sign. Only dsPIC33E devices support mixed-sign multiplication.

Words: 1

Cycles: 1

# 16-bit MCU and DSC Programmer's Reference Manual

---

Example 1:   MAC W4\*W4, B, [W9+W12], W4, [W10]-=2, W5  
 ; Square W4 and add to ACCB  
 ; Fetch [W9+W12] to W4  
 ; Fetch [W10] to W5, Post-decrement W10 by 2  
 ; CORCON = 0x00C0 (fractional multiply, normal saturation)

Before Instruction		After Instruction	
W4	A022	W4	A230
W5	B200	W5	650B
W9	0C00	W9	0C00
W10	1900	W10	18FE
W12	0020	W12	0020
ACCB	00 2000 0000	ACCB	00 67CD 0908
Data 0C20	A230	Data 0C20	A230
Data 1900	650B	Data 1900	650B
CORCON	00C0	CORCON	00C0
SR	0000	SR	0000

Example 2:   MAC W7\*W7, A, [W11]-=2, W7  
 ; Square W7 and add to ACCA  
 ; Fetch [W11] to W7, Post-decrement W11 by 2  
 ; CORCON = 0x00D0 (fractional multiply, super saturation)

Before Instruction		After Instruction	
W7	76AE	W7	23FF
W11	2000	W11	1FFE
ACCA	FE 9834 4500	ACCA	FF 063E 0188
Data 2000	23FF	Data 2000	23FF
CORCON	00D0	CORCON	00D0
SR	0000	SR	8800 (OA, OAB = 1)

# Section 5. Instruction Descriptions

## MOV

### Move f to Destination

Implemented in:	PIC24F	PIC24H	PIC24E	dsPIC30F	dsPIC33F	dsPIC33E
	X	X	X	X	X	X

Syntax: {label:} MOV{.B} f {,WREG}

Operands:  $f \in [0 \dots 8191]$

Operation: (f) → destination designated by D

Status Affected: N, Z

Encoding:	1011	1111	1BDf	ffff	ffff	ffff
-----------	------	------	------	------	------	------

Description: Move the contents of the specified file register to the destination register. The optional WREG operand determines the destination register. If WREG is specified, the result is stored in WREG. If WREG is not specified, the result is stored back to the file register and the only effect is to modify the STATUS register.

The 'B' bit selects byte or word operation ('0' for word, '1' for byte).  
The 'D' bit selects the destination ('0' for WREG, '1' for file register).  
The 'f' bits select the address of the file register.

- Note 1:** The extension .B in the instruction denotes a byte operation rather than a word operation. You may use a .W extension to denote a word operation, but it is not required.
- 2:** The WREG is set to working register W0.
- 3:** When moving word data from file register memory, the "MOV f to Wnd" (page 281) instruction allows any working register (W0:W15) to be the destination register.

Words: 1

Cycles: 1(4)

**Note 1:** In dsPIC33E and PIC24E devices, the listed cycle count does not apply to read and read-modify-write operations on non-CPU Special Function Registers. For more details, see **Note 3** in [Section 3.2.1 "Multi-Cycle Instructions"](#).

**Example 1:** MOV.B TMR0, WREG ; move (TMR0) to WREG (Byte mode)

	Before Instruction		After Instruction
WREG (W0)	9080	WREG (W0)	9055
TMR0	2355	TMR0	2355
SR	0000	SR	0000

**Example 2:** MOV 0x800 ; update SR based on (0x800) (Word mode)

	Before Instruction		After Instruction
Data 0800	B29F	Data 0800	B29F
SR	0000	SR	0008 (N = 1)

## MOV

Move WREG to f

Implemented in:	PIC24F	PIC24H	PIC24E	dsPIC30F	dsPIC33F	dsPIC33E
	X	X	X	X	X	X

Syntax: {label:} MOV{.B} WREG, f

Operands:  $f \in [0 \dots 8191]$

Operation: (WREG)  $\rightarrow$  f

Status Affected: None

Encoding:	1011	0111	1B1f	ffff	ffff	ffff
-----------	------	------	------	------	------	------

Description: Move the contents of the default working register WREG into the specified file register.

The 'B' bit selects byte or word operation ('0' for word, '1' for byte).  
The 'f' bits select the address of the file register.

- Note 1:** The extension .B in the instruction denotes a byte move rather than a word move. You may use a .W extension to denote a word move, but it is not required.
- 2:** The WREG is set to working register W0.
- 3:** When moving word data from the working register array to file register memory, the "MOV wns to f" ([page 282](#)) instruction allows any working register (W0:W15) to be the source register.

Words: 1

Cycles: 1

Example 1: MOV.B WREG, 0x801 ; move WREG to 0x801 (Byte mode)

	Before Instruction	After Instruction
WREG (W0)	98F3	98F3
Data 0800	4509	F309
SR	0000	0008 (N = 1)

Example 2: MOV WREG, DISICNT ; move WREG to DISICNT

	Before Instruction	After Instruction
WREG (W0)	00A0	00A0
DISICNT	0000	00A0
SR	0000	0000



# Section 5. Instruction Descriptions

## MOV

Move f to Wnd

Implemented in:	PIC24F	PIC24H	PIC24E	dsPIC30F	dsPIC33F	dsPIC33E
	X	X	X	X	X	X

Syntax: {label;} MOV f, Wnd

Operands: f ∈ [0 ... 65534]  
Wnd ∈ [W0 ... W15]

Operation: (f) → Wnd

Status Affected: None

Encoding:	1000	0fff	ffff	ffff	ffff	dddd
-----------	------	------	------	------	------	------

Description: Move the word contents of the specified file register to Wnd. The file register may reside anywhere in the 32K words of data memory, but must be word-aligned. Register direct addressing must be used for Wnd.

The 'f' bits select the address of the file register.  
The 'd' bits select the destination register.

- Note 1:** This instruction operates on word operands only.
- 2:** Since the file register address must be word-aligned, only the upper 15 bits of the file register address are encoded (bit 0 is assumed to be '0').
- 3:** To move a byte of data from file register memory, the "MOV f to Destination" instruction ([page 279](#)) may be used.

Words: 1

Cycles: 1<sup>(1)</sup>

**Note 1:** In dsPIC33E and PIC24E devices, the listed cycle count does not apply to read and read-modify-write operations on non-CPU Special Function Registers. For more details, see **Note 3** in [Section 3.2.1 "Multi-Cycle Instructions"](#).

Example 1: MOV CORCON, W12 ; move CORCON to W12

	Before Instruction	After Instruction
W12	78FA	00F0
CORCON	00F0	00F0
SR	0000	0000

Example 2: MOV 0x27FE, W3 ; move (0x27FE) to W3

	Before Instruction	After Instruction
W3	0035	ABCD
Data 27FE	ABCD	ABCD
SR	0000	0000

## MOV

Move Wns to f

Implemented in:	PIC24F	PIC24H	PIC24E	dsPIC30F	dsPIC33F	dsPIC33E
	X	X	X	X	X	X

Syntax: {label;} MOV Wns, f

Operands:  $f \in [0 \dots 65534]$   
 $Wns \in [W0 \dots W15]$

Operation:  $(Wns) \rightarrow f$

Status Affected: None

Encoding:	1000	1fff	ffff	ffff	ffff	ssss
-----------	------	------	------	------	------	------

Description: Move the word contents of the working register Wns to the specified file register. The file register may reside anywhere in the 32K words of data memory, but must be word-aligned. Register direct addressing must be used for Wn.

The 'f' bits select the address of the file register.

The 's' bits select the source register.

- Note 1:** This instruction operates on word operands only.
- 2:** Since the file register address must be word-aligned, only the upper 15 bits of the file register address are encoded (bit 0 is assumed to be '0').
- 3:** To move a byte of data to file register memory, the "MOV WREG to f" instruction ([page 280](#)) may be used.

Words: 1

Cycles: 1

Example 1: MOV W4, XMODSRT ; move W4 to XMODSRT

	Before Instruction	After Instruction
W4	1200	1200
XMODSRT	1340	1200
SR	0000	0000

Example 2: MOV W8, 0x1222 ; move W8 to data address 0x1222

	Before Instruction	After Instruction
W8	F200	F200
Data 1222	FD88	F200
SR	0000	0000

## MOV.B

Move 8-bit Literal to Wnd

Implemented in:	PIC24F	PIC24H	PIC24E	dsPIC30F	dsPIC33F	dsPIC33E
	X	X	X	X	X	X

Syntax:            {label;}    MOV.B    #lit8,        Wnd

Operands:        lit8 ∈ [0 ... 255]  
                   Wnd ∈ [W0 ... W15]

Operation:        lit8 →Wnd

Status Affected: None

Encoding:	1011	0011	1100	kkkk	kkkk	dddd
-----------	------	------	------	------	------	------

Description:     The unsigned 8-bit literal 'k' is loaded into the lower byte of Wnd. The upper byte of Wnd is not changed. Register direct addressing must be used for Wnd.

The 'k' bits specify the value of the literal.  
 The 'd' bits select the address of the working register.

**Note:** This instruction operates in Byte mode and the .B extension must be provided.

Words:            1

Cycles:           1

Example 1:     MOV.B    #0x17, W5        ; load W5 with #0x17 (Byte mode)

	Before Instruction		After Instruction
W5	7899		7817
SR	0000		0000

Example 2:     MOV.B    #0xFE, W9        ; load W9 with #0xFE (Byte mode)

	Before Instruction		After Instruction
W9	AB23		ABFE
SR	0000		0000

## MOV

### Move 16-bit Literal to Wnd

Implemented in:	PIC24F	PIC24H	PIC24E	dsPIC30F	dsPIC33F	dsPIC33E
	X	X	X	X	X	X

Syntax:            {label;}    MOV            #lit16,        Wnd

Operands:        lit16 ∈ [-32768 ... 65535]  
                   Wnd ∈ [W0 ... W15]

Operation:        lit16 →Wnd

Status Affected: None

Encoding:	0010	kkkk	kkkk	kkkk	kkkk	dddd
-----------	------	------	------	------	------	------

Description:     The 16-bit literal 'k' is loaded into Wnd. Register direct addressing must be used for Wnd.

The 'k' bits specify the value of the literal.

The 'd' bits select the address of the working register.

**Note 1:** This instruction operates only in Word mode.

**Note 2:** The literal may be specified as a signed value [-32768:32767], or unsigned value [0:65535].

Words:            1

Cycles:           1

Example 1:     MOV    #0x4231, W13        ; load W13 with #0x4231

	Before Instruction		After Instruction
W13	091B	W13	4231
SR	0000	SR	0000

Example 2:     MOV    #0x4, W2            ; load W2 with #0x4

	Before Instruction		After Instruction
W2	B004	W2	0004
SR	0000	SR	0000

Example 3:     MOV    #-1000, W8        ; load W8 with #-1000

	Before Instruction		After Instruction
W8	23FF	W8	FC18
SR	0000	SR	0000

# Section 5. Instruction Descriptions

## MOV

Move [Ws with offset] to Wnd

Implemented in:	PIC24F	PIC24H	PIC24E	dsPIC30F	dsPIC33F	dsPIC33E
	X	X	X	X	X	X

Syntax: {label;} MOV{.B} [Ws + Slit10], Wnd

Operands: Ws ∈ [W0 ... W15]  
 Slit10 ∈ [-512 ... 511] for byte operation  
 Slit10 ∈ [-1024 ... 1022] (even only) for word operation  
 Wnd ∈ [W0 ... W15]

Operation: [Ws + Slit10] → Wnd

Status Affected: None

Encoding:	1001	0kkk	kBkk	kddd	dkkk	ssss
-----------	------	------	------	------	------	------

Description: The contents of [Ws + Slit10] are loaded into Wnd. In Word mode, the range of Slit10 is increased to [-1024 ... 1022] and Slit10 must be even to maintain word address alignment. Register indirect addressing must be used for the source, and direct addressing must be used for Wnd.

The 'k' bits specify the value of the literal.  
 The 'B' bit selects byte or word operation ('0' for word, '1' for byte).  
 The 'd' bits select the destination register.  
 The 's' bits select the source register.

- Note 1:** The extension .B in the instruction denotes a byte move rather than a word move. You may use a .W extension to denote a word move, but it is not required.
- 2:** In Byte mode, the range of Slit10 is not reduced as specified in [Section 4.6 "Using 10-bit Literal Operands"](#), since the literal represents an address offset from Ws.

Words: 1

Cycles: 1<sup>(1)</sup>

**Note 1:** In dsPIC33E and PIC24E devices, the listed cycle count does not apply to read and read-modify-write operations on non-CPU Special Function Registers. For more details, see **Note 3** in [Section 3.2.1 "Multi-Cycle Instructions"](#).

Example 1: MOV.B [W8+0x13], W10 ; load W10 with [W8+0x13]  
 ; (Byte mode)

	Before Instruction		After Instruction
W8	1008	W8	1008
W10	4009	W10	4033
Data 101A	3312	Data 101A	3312
SR	0000	SR	0000

**Example 2:** MOV [W4+0x3E8], W2 ; load W2 with [W4+0x3E8]  
; (word mode)

	Before Instruction	After Instruction
W2	9088	5634
W4	0800	0800
Data 0BE8	5634	5634
SR	0000	0000

## MOV

### Move Wns to [Wd with offset]

Implemented in:	PIC24F	PIC24H	PIC24E	dsPIC30F	dsPIC33F	dsPIC33E
	X	X	X	X	X	X

Syntax: {label:} MOV{.B} Wns, [Wd + Slit10]

Operands: Wns  $\in$  [W0 ... W15]  
Slit10  $\in$  [-512 ... 511] in Byte mode  
Slit10  $\in$  [-1024 ... 1022] (even only) in Word mode  
Wd  $\in$  [W0 ... W15]

Operation: (Wns)  $\rightarrow$ [Wd + Slit10]

Status Affected: None

Encoding:	1001	1kkk	kBkk	kddd	dkkk	ssss
-----------	------	------	------	------	------	------

Description: The contents of Wns are stored to [Wd + Slit10]. In Word mode, the range of Slit10 is increased to [-1024 ... 1022] and Slit10 must be even to maintain word address alignment. Register direct addressing must be used for Wns, and indirect addressing must be used for the destination.

The 'k' bits specify the value of the literal.

The 'B' bit selects byte or word operation ('0' for word, '1' for byte).

The 'd' bits select the destination register.

The 's' bits select the source register.

**Note 1:** The extension .B in the instruction denotes a byte move rather than a word move. You may use a .W extension to denote a word move, but it is not required.

**2:** In Byte mode, the range of Slit10 is not reduced as specified in [Section 4.6 "Using 10-bit Literal Operands"](#), since the literal represents an address offset from Wd.

Words: 1

Cycles: 1

**Example 1:** MOV.B W0, [W1+0x7] ; store W0 to [W1+0x7]  
; (Byte mode)

	Before Instruction	After Instruction
W0	9015	9015
W1	1800	1800
Data 1806	2345	1545
SR	0000	0000



## MOV

Move Ws to Wd

Words: 1  
Cycles: 1(1)

**Note 1:** In dsPIC33E and PIC24E devices, the listed cycle count does not apply to read and read-modify-write operations on non-CPU Special Function Registers. For more details, see **Note 3** in [Section 3.2.1 "Multi-Cycle Instructions"](#).

Example 1: `MOV.B [W0--], W4 ; Move [W0] to W4 (Byte mode)`  
`; Post-decrement W0`

Before Instruction		After Instruction	
W0	0A01	W0	0A00
W4	2976	W4	2989
Data 0A00	8988	Data 0A00	8988
SR	0000	SR	0000

Example 2: `MOV [W6++], [W2+W3] ; Move [W6] to [W2+W3] (Word mode)`  
`; Post-increment W6`

Before Instruction		After Instruction	
W2	0800	W2	0800
W3	0040	W3	0040
W6	1228	W6	122A
Data 0840	9870	Data 0840	0690
Data 1228	0690	Data 1228	0690
SR	0000	SR	0000



## Section 5. Instruction Descriptions

### MOV.D

#### Double Word Move from Source to Wnd

Implemented in:	PIC24F	PIC24H	PIC24E	dsPIC30F	dsPIC33F	dsPIC33E
	X	X	X	X	X	X

Syntax: {label;} MOV.D Wns, Wnd  
   [Ws],  
   [Ws++],  
   [Ws--],  
   [+Ws],  
   [--Ws],

Operands: Wns ∈ [W0, W2, W4 ... W14]  
             Ws ∈ [W0 ... W15]  
             Wnd ∈ [W0, W2, W4 ... W14]

Operation: For direct addressing of source:  
                   Wns →Wnd  
                   Wns + 1 →Wnd + 1  
             For indirect addressing of source:  
                   See Description

Status Affected: None

Encoding:	1011	1110	0000	0ddd	0ppp	ssss
-----------	------	------	------	------	------	------

Description: Move the double word specified by the source to a destination working register pair (Wnd:Wnd + 1). If register direct addressing is used for the source, the contents of two successive working registers (Wns:Wns + 1) are moved to Wnd:Wnd + 1. If indirect addressing is used for the source, Ws specifies the effective address for the least significant word of the double word. Any pre/post-increment or pre/post-decrement will adjust Ws by 4 bytes to accommodate for the double word.

The 'd' bits select the destination register.  
 The 'p' bits select the source Address mode.  
 The 's' bits select the address of the first source register.

**Note 1:** This instruction only operates on double words. See [Figure 4-3](#) for information on how double words are aligned in memory.

**2:** Wnd must be an even working register.

**3:** The instruction "POP.D Wnd" translates to MOV.D [--W15], Wnd.

Words: 1

Cycles: 2<sup>(1)</sup>

**Note 1:** In dsPIC33E and PIC24E devices, the listed cycle count does not apply to read and read-modify-write operations on non-CPU Special Function Registers. For more details, see **Note 3** in [Section 3.2.1 "Multi-Cycle Instructions"](#).

# 16-bit MCU and DSC Programmer's Reference Manual

---

---

Example 1:    MOV.D    W2, W6       ; Move W2 to W6 (Double mode)

Before		After	
Instruction		Instruction	
W2	12FB	W2	12FB
W3	9877	W3	9877
W6	9833	W6	12FB
W7	FCC6	W7	9877
SR	0000	SR	0000

Example 2:    MOV.D    [W7--], W4    ; Move [W7] to W4 (Double mode)  
   ; Post-decrement W7

Before		After	
Instruction		Instruction	
W4	B012	W4	A319
W5	FD89	W5	9927
W7	0900	W7	08FC
Data 0900	A319	Data 0900	A319
Data 0902	9927	Data 0902	9927
SR	0000	SR	0000





## Section 5. Instruction Descriptions

### MOV SAC

#### Prefetch Operands and Store Accumulator

Implemented in:	PIC24F	PIC24H	PIC24E	dsPIC30F	dsPIC33F	dsPIC33E
				X	X	X

Syntax: {label;} MOV SAC Acc {,[Wx], Wxd} {,[Wy], Wyd} {,AWB}

{,[Wx] + = kx, Wxd} {,[Wy] + = ky, Wyd}

{,[Wx] – = kx, Wxd} {,[Wy] – = ky, Wyd}

{,[W9 + W12], Wxd} {,[W11 + W12], Wyd}

Operands: Acc ∈ [A,B]  
 Wx ∈ [W8, W9]; kx ∈ [-6, -4, -2, 2, 4, 6]; Wxd ∈ [W4 ... W7]  
 Wy ∈ [W10, W11]; ky ∈ [-6, -4, -2, 2, 4, 6]; Wyd ∈ [W4 ... W7]  
 AWB ∈ [W13, [W13] + = 2]

Operation: ([Wx]) →Wxd; (Wx) + kx →Wx  
 ([Wy]) →Wyd; (Wy) + ky →Wy  
 (Acc(B or A)) rounded →AWB

Status Affected: None

Encoding:	1100	0111	A0xx	yyii	iijj	jjaa
-----------	------	------	------	------	------	------

Description: Optionally prefetch operands in preparation for another MAC type instruction and optionally store the unspecified accumulator results. Even though an accumulator operation is not performed in this instruction, an accumulator must be specified to designate which accumulator to write back.

Operands Wx, Wxd, Wy and Wyd specify optional prefetch operations which support indirect and register offset addressing, as described in [Section 4.14.1 “MAC Prefetches”](#). Operand AWB specifies the optional store of the “other” accumulator, as described in [Section 4.14.4 “MAC Write Back”](#).

The ‘A’ bit selects the other accumulator used for write back.

The ‘x’ bits select the prefetch Wxd destination.

The ‘y’ bits select the prefetch Wyd destination.

The ‘i’ bits select the Wx prefetch operation.

The ‘j’ bits select the Wy prefetch operation.

The ‘a’ bits select the accumulator Write Back destination.

Words: 1

Cycles: 1

# 16-bit MCU and DSC Programmer's Reference Manual

---

Example 1:    MOV SAC B, [W9], W6, [W11] += 4, W7, W13  
                   ; Fetch [W9] to W6  
                   ; Fetch [W11] to W7, Post-increment W11 by 4  
                   ; Store ACCA to W13

Before Instruction		After Instruction	
W6	A022	W6	7811
W7	B200	W7	B2AF
W9	0800	W9	0800
W11	1900	W11	1904
W13	0020	W13	3290
ACCA	00 3290 5968	ACCA	00 3290 5968
Data 0800	7811	Data 0800	7811
Data 1900	B2AF	Data 1900	B2AF
SR	0000	SR	0000

Example 2:    MOV SAC A, [W9] -= 2, W4, [W11+W12], W6, [W13] += 2  
                   ; Fetch [W9] to W4, Post-decrement W9 by 2  
                   ; Fetch [W11+W12] to W6  
                   ; Store ACCB to [W13], Post-increment W13 by 2

Before Instruction		After Instruction	
W4	76AE	W4	BB00
W6	2000	W6	52CE
W9	1200	W9	11FE
W11	2000	W11	2000
W12	0024	W12	0024
W13	2300	W13	2302
ACCB	00 9834 4500	ACCB	00 9834 4500
Data 1200	BB00	Data 1200	BB00
Data 2024	52CE	Data 2024	52CE
Data 2300	23FF	Data 2300	9834
SR	0000	SR	0000

# Section 5. Instruction Descriptions

## MPY

### Multiply Wm by Wn to Accumulator

Implemented in:	PIC24F	PIC24H	PIC24E	dsPIC30F	dsPIC33F	dsPIC33E
				X	X	X

Syntax: {label:} MPY Wm \* Wn, Acc {[Wx], Wxd} {[Wy], Wyd}  
 {[Wx] += kx, Wxd} {[Wy] += ky, Wyd}  
 {[Wx] -= kx, Wxd} {[Wy] -= ky, Wyd}  
 {[W9 + W12], Wxd} {[W11 + W12], Wyd}

Operands: Wm \* Wn ∈ [W4 \* W5, W4 \* W6, W4 \* W7, W5 \* W6, W5 \* W7, W6 \* W7]  
 Acc ∈ [A,B]  
 Wx ∈ [W8, W9]; kx ∈ [-6, -4, -2, 2, 4, 6]; Wxd ∈ [W4 ... W7]  
 Wy ∈ [W10, W11]; ky ∈ [-6, -4, -2, 2, 4, 6]; Wyd ∈ [W4 ... W7]  
 AWB ∈ [W13], [W13] += 2

Operation: (Wm) \* (Wn) →Acc(A or B)  
 ([Wx]) →Wxd; (Wx) + kx →Wx  
 ([Wy]) →Wyd; (Wy) + ky →Wy

Status Affected: OA, OB, OAB, SA, SB, SAB

Encoding:	1100	0mmm	A0xx	yyii	ijjj	jj11
-----------	------	------	------	------	------	------

Description: Multiply the contents of two working registers, optionally prefetch operands in preparation for another MAC type instruction. The 32-bit result of the signed multiply is sign-extended to 40 bits and stored to the specified accumulator.

Operands Wx, Wxd, Wy and Wyd specify optional prefetch operations which support indirect and register offset addressing, as described in [Section 4.14.1 "MAC Prefetches"](#).

The 'm' bits select the operand registers Wm and Wn for the multiply:  
 The 'A' bit selects the accumulator for the result.  
 The 'x' bits select the prefetch Wxd destination.  
 The 'y' bits select the prefetch Wyd destination.  
 The 'i' bits select the Wx prefetch operation.  
 The 'j' bits select the Wy prefetch operation.

- Note 1:** The IF bit, CORCON<0>, determines if the multiply is fractional or an integer.
- 2:** The US<1:0> bits (CORCON<13:12> in dsPIC33E, CORCON<12> in dsPIC30F/dsPIC33F) determine if the multiply is unsigned, signed, or mixed-sign. Only dsPIC33E devices support mixed-sign multiplication.

Words: 1  
 Cycles: 1

# 16-bit MCU and DSC Programmer's Reference Manual

---

Example 1:   MPY W4\*W5, A, [W8]+=2, W6, [W10]-=2, W7  
 ; Multiply W4\*W5 and store to ACCA  
 ; Fetch [W8] to W6, Post-increment W8 by 2  
 ; Fetch [W10] to W7, Post-decrement W10 by 2  
 ; CORCON = 0x0000 (fractional multiply, no saturation)

Before Instruction		After Instruction	
W4	C000	W4	C000
W5	9000	W5	9000
W6	0800	W6	671F
W7	B200	W7	E3DC
W8	1780	W8	1782
W10	2400	W10	23FE
ACCA	FF F780 2087	ACCA	00 3800 0000
Data 1780	671F	Data 1780	671F
Data 2400	E3DC	Data 2400	E3DC
CORCON	0000	CORCON	0000
SR	0000	SR	0000

Example 2:   MPY W6\*W7, B, [W8]+=2, W4, [W10]-=2, W5  
 ; Multiply W6\*W7 and store to ACCB  
 ; Fetch [W8] to W4, Post-increment W8 by 2  
 ; Fetch [W10] to W5, Post-decrement W10 by 2  
 ; CORCON = 0x0000 (fractional multiply, no saturation)

Before Instruction		After Instruction	
W4	C000	W4	8FDC
W5	9000	W5	0078
W6	671F	W6	671F
W7	E3DC	W7	E3DC
W8	1782	W8	1784
W10	23FE	W10	23FC
ACCB	00 9834 4500	ACCB	FF E954 3748
Data 1782	8FDC	Data 1782	8FDC
Data 23FE	0078	Data 23FE	0078
CORCON	0000	CORCON	0000
SR	0000	SR	0000



# Section 5. Instruction Descriptions

## MPY

### Square to Accumulator

Implemented in:	PIC24F	PIC24H	PIC24E	dsPIC30F	dsPIC33F	dsPIC33E
				X	X	X

Syntax:        {label:} MPY Wm \* Wm, Acc        {,[Wx], Wxd}                {,[Wy], Wyd}  
    {,[Wx] + = kx, Wxd}        {,[Wy] + = ky, Wyd}  
    {,[Wx] – = kx, Wxd}        {,[Wy] – = ky, Wyd}  
    {[W9 + W12], Wxd}        {[W11 + W12], Wyd}

Operands:        Wm \* Wm ∈ [W4 \* W4, W5 \* W5, W6 \* W6, W7 \* W7]  
    Acc ∈ [A,B]  
    Wx ∈ [W8, W9]; kx ∈ [-6, -4, -2, 2, 4, 6]; Wxd ∈ [W4 ... W7]  
    Wy ∈ [W10, W11]; ky ∈ [-6, -4, -2, 2, 4, 6]; Wyd ∈ [W4 ... W7]

Operation:        (Wm) \* (Wm) →Acc(A or B)  
    ([Wx]) →Wxd; (Wx) + kx →Wx  
    ([Wy]) →Wyd; (Wy) + ky →Wy

Status Affected:    OA, OB, OAB, SA, SB, SAB

Encoding:

1111	00mm	A0xx	yyii	ijjj	jj01
------	------	------	------	------	------

Description:        Square the contents of a working register, optionally prefetch operands in preparation for another MAC type instruction. The 32-bit result of the signed multiply is sign-extended to 40 bits and stored in the specified accumulator.

Operands Wx, Wxd, Wy and Wyd specify optional prefetch operations which support indirect and register offset addressing, as described in [Section 4.14.1 "MAC Prefetches"](#).

- The 'm' bits select the operand register Wm for the square.
- The 'A' bit selects the accumulator for the result.
- The 'x' bits select the prefetch Wxd destination.
- The 'y' bits select the prefetch Wyd destination.
- The 'i' bits select the Wx prefetch operation.
- The 'j' bits select the Wy prefetch operation.

- Note 1:** The IF bit (CORCON<0>), determines if the multiply is fractional or an integer.
- 2:** The US<1:0> bits (CORCON<13:12> in dsPIC33E, CORCON<12> in dsPIC30F/dsPIC33F) determine if the multiply is unsigned, signed, or mixed-sign. Only dsPIC33E devices support mixed-sign multiplication.

Words:              1

Cycles:              1

# 16-bit MCU and DSC Programmer's Reference Manual

---

Example 1:    MPY W6\*W6, A, [W9]+=2, W6  
                   ; Square W6 and store to ACCA  
                   ; Fetch [W9] to W6, Post-increment W9 by 2  
                   ; CORCON = 0x0000 (fractional multiply, no saturation)

Before Instruction		After Instruction	
W6	6500	W6	B865
W9	0900	W9	0902
ACCA	00 7C80 0908	ACCA	00 4FB2 0000
Data 0900	B865	Data 0900	B865
CORCON	0000	CORCON	0000
SR	0000	SR	0000

Example 2:    MPY W4\*W4, B, [W9+W12], W4, [W10]+=2, W5  
                   ; Square W4 and store to ACCB  
                   ; Fetch [W9+W12] to W4  
                   ; Fetch [W10] to W5, Post-increment W10 by 2  
                   ; CORCON = 0x0000 (fractional multiply, no saturation)

Before Instruction		After Instruction	
W4	E228	W4	8911
W5	9000	W5	F678
W9	1700	W9	1700
W10	1B00	W10	1B02
W12	FF00	W12	FF00
ACCB	00 9834 4500	ACCB	00 06F5 4C80
Data 1600	8911	Data 1600	8911
Data 1B00	F678	Data 1B00	F678
CORCON	0000	CORCON	0000
SR	0000	SR	0000

## MPY.N

### Multiply -Wm by Wn to Accumulator

Implemented in:	PIC24F	PIC24H	PIC24E	dsPIC30F	dsPIC33F	dsPIC33E
				X	X	X

Syntax:     {label:} MPY.N Wm \* Wn, Acc    {,[Wx], Wxd}                    {,[Wy], Wyd}

  {,[Wx] + = kx, Wxd}                    {,[Wy] + = ky, Wyd}

  {,[Wx] – = kx, Wxd}                    {,[Wy] – = ky, Wyd}

  {,[W9 + W12], Wxd}                    {,[W11 + W12], Wyd}

Operands:        Wm \* Wn ∈ [W4 \* W5; W4 \* W6; W4 \* W7; W5 \* W6; W5 \* W7; W6 \* W7]  
 Acc ∈ [A,B]  
 Wx ∈ [W8, W9]; kx ∈ [-6, -4, -2, 2, 4, 6]; Wxd ∈ [W4 ... W7]  
 Wy ∈ [W10, W11]; ky ∈ [-6, -4, -2, 2, 4, 6]; Wyd ∈ [W4 ... W7]

Operation:        -(Wm) \* (Wn) →Acc(A or B)  
 ([Wx]) →Wxd; (Wx) + kx →Wx  
 ([Wy]) →Wyd; (Wy) + ky →Wy

Status Affected:    OA, OB, OAB

Encoding:	1100	0mmm	A1xx	yyii	iijj	jj11
-----------	------	------	------	------	------	------

Description:        Multiply the contents of a working register by the negative of the contents of another working register, optionally prefetch operands in preparation for another MAC type instruction and optionally store the unspecified accumulator results. The 32-bit result of the signed multiply is sign-extended to 40 bits and stored to the specified accumulator.

The 'm' bits select the operand registers Wm and Wn for the multiply.  
 The 'A' bit selects the accumulator for the result.  
 The 'x' bits select the prefetch Wxd destination.  
 The 'y' bits select the prefetch Wyd destination.  
 The 'i' bits select the Wx prefetch operation.  
 The 'j' bits select the Wy prefetch operation.

- Note 1:** The IF bit (CORCON<0>), determines if the multiply is fractional or an integer.
- 2:** The US<1:0> bits (CORCON<13:12> in dsPIC33E, CORCON<12> in dsPIC30F/dsPIC33F) determine if the multiply is unsigned, signed, or mixed-sign. Only dsPIC33E devices support mixed-sign multiplication.

Words:             1

Cycles:            1

# 16-bit MCU and DSC Programmer's Reference Manual

---

Example 1: MPY.N W4\*W5, A, [W8] += 2, W4, [W10] += 2, W5  
 ; Multiply W4\*W5, negate the result and store to ACCA  
 ; Fetch [W8] to W4, Post-increment W8 by 2  
 ; Fetch [W10] to W5, Post-increment W10 by 2  
 ; CORCON = 0x0001 (integer multiply, no saturation)

Before Instruction		After Instruction	
W4	3023	W4	0054
W5	1290	W5	660A
W8	0B00	W8	0B02
W10	2000	W10	2002
ACCA	00 0000 2387	ACCA	FF FC82 7650
Data 0B00	0054	Data 0B00	0054
Data 2000	660A	Data 2000	660A
CORCON	0001	CORCON	0001
SR	0000	SR	0000

Example 2: MPY.N W4\*W5, A, [W8] += 2, W4, [W10] += 2, W5  
 ; Multiply W4\*W5, negate the result and store to ACCA  
 ; Fetch [W8] to W4, Post-increment W8 by 2  
 ; Fetch [W10] to W5, Post-increment W10 by 2  
 ; CORCON = 0x0000 (fractional multiply, no saturation)

Before Instruction		After Instruction	
W4	3023	W4	0054
W5	1290	W5	660A
W8	0B00	W8	0B02
W10	2000	W10	2002
ACCA	00 0000 2387	ACCA	FF F904 ECA0
Data 0B00	0054	Data 0B00	0054
Data 2000	660A	Data 2000	660A
CORCON	0000	CORCON	0000
SR	0000	SR	0000

# Section 5. Instruction Descriptions

## MSC

### Multiply and Subtract from Accumulator

Implemented in:	PIC24F	PIC24H	PIC24E	dsPIC30F	dsPIC33F	dsPIC33E
				X	X	X

Syntax: {label:} MSC Wm \* Wn, Acc {,[Wx], Wxd} {,[Wy], Wyd} {,AWB}  
 {,[Wx] + = kx, Wxd} {,[Wy] + = ky, Wyd}  
 {,[Wx] – = kx, Wxd} {,[Wy] – = ky, Wyd}  
 {,[W9 + W12], Wxd} {,[W11 + W12], Wyd}

Operands: Wm \* Wn ∈ [W4 \* W5, W4 \* W6, W4 \* W7, W5 \* W6, W5 \* W7, W6 \* W7]  
 Acc ∈ [A,B]  
 Wx ∈ [W8, W9]; kx ∈ [-6, -4, -2, 2, 4, 6]; Wxd ∈ [W4 ... W7]  
 Wy ∈ [W10, W11]; ky ∈ [-6, -4, -2, 2, 4, 6]; Wyd ∈ [W4 ... W7]  
 AWB ∈ [W13, [W13] + = 2]

Operation: (Acc(A or B)) –(Wm) \* (Wn) →Acc(A or B)  
 ([Wx]) →Wxd; (Wx) + kx →Wx  
 ([Wy]) →Wyd; (Wy) + ky →Wy  
 (Acc(B or A)) rounded →AWB

Status Affected: OA, OB, OAB, SA, SB, SAB

Encoding:	1100	0mmm	A1xx	yyii	ijjj	jja
-----------	------	------	------	------	------	-----

Description: Multiply the contents of two working registers, optionally prefetch operands in preparation for another MAC type instruction and optionally store the unspecified accumulator results. The 32-bit result of the signed multiply is sign-extended to 40 bits and subtracted from the specified accumulator.

Operands Wx, Wxd, Wy and Wyd specify optional prefetch operations which support indirect and register offset addressing as described in [Section 4.14.1 “MAC Prefetches”](#). Operand AWB specifies the optional store of the “other” accumulator as described in [Section 4.14.4 “MAC Write Back”](#).

The ‘m’ bits select the operand registers Wm and Wn for the multiply.  
 The ‘A’ bit selects the accumulator for the result.  
 The ‘x’ bits select the prefetch Wxd destination.  
 The ‘y’ bits select the prefetch Wyd destination.  
 The ‘i’ bits select the Wx prefetch operation.  
 The ‘j’ bits select the Wy prefetch operation.  
 The ‘a’ bits select the accumulator Write Back destination.

**Note:** The IF bit (CORCON<0>), determines if the multiply is fractional or an integer.

Words: 1

Cycles: 1

# 16-bit MCU and DSC Programmer's Reference Manual

---

Example 1: MSC W6\*W7, A, [W8]-=4, W6, [W10]-=4, W7  
 ; Multiply W6\*W7 and subtract the result from ACCA  
 ; Fetch [W8] to W6, Post-decrement W8 by 4  
 ; Fetch [W10] to W7, Post-decrement W10 by 4  
 ; CORCON = 0x0001 (integer multiply, no saturation)

Before Instruction		After Instruction	
W6	9051	W6	D309
W7	7230	W7	100B
W8	0C00	W8	0BFC
W10	1C00	W10	1BFC
ACCA	00 0567 8000	ACCA	00 3738 5ED0
Data 0C00	D309	Data 0C00	D309
Data 1C00	100B	Data 1C00	100B
CORCON	0001	CORCON	0001
SR	0000	SR	0000

Example 2: MSC W4\*W5, B, [W11+W12], W5, W13  
 ; Multiply W4\*W5 and subtract the result from ACCB  
 ; Fetch [W11+W12] to W5  
 ; Write Back ACCA to W13  
 ; CORCON = 0x0000 (fractional multiply, no saturation)

Before Instruction		After Instruction	
W4	0500	W4	0500
W5	2000	W5	3579
W11	1800	W11	1800
W12	0800	W12	0800
W13	6233	W13	3738
ACCA	00 3738 5ED0	ACCA	00 3738 5ED0
ACCB	00 1000 0000	ACCB	00 0EC0 0000
Data 2000	3579	Data 2000	3579
CORCON	0000	CORCON	0000
SR	0000	SR	0000

## MUL

### Integer Unsigned Multiply f and WREG

Implemented in:	PIC24F	PIC24H	PIC24E	dsPIC30F	dsPIC33F	dsPIC33E
	X	X	X	X	X	X

Syntax:            {label:}    MUL{.B}    f

Operands:         $f \in [0 \dots 8191]$

Operation:        For byte operation:  
                      $(WREG)\langle 7:0 \rangle * (f)\langle 7:0 \rangle \rightarrow W2$   
For word operation:  
                      $(WREG) * (f) \rightarrow W2:W3$

Status Affected:    None

Encoding:	1011	1100	0B0f	ffff	ffff	ffff
-----------	------	------	------	------	------	------

Description:        Multiply the default working register WREG with the specified file register and place the result in the W2:W3 register pair. Both operands and the result are interpreted as unsigned integers. If this instruction is executed in Byte mode, the 16-bit result is stored in W2. In Word mode, the most significant word of the 32-bit result is stored in W3, and the least significant word of the 32-bit result is stored in W2.

The 'B' bit selects byte or word operation ('0' for word, '1' for byte).  
 The 'f' bits select the address of the file register.

- Note 1:** The extension .B in the instruction denotes a byte operation rather than a word operation. You may use a .W extension to denote a word operation, but it is not required.
- 2:** The WREG is set to working register W0.
- 3:** The IF bit (CORCON<0>), has no effect on this operation.
- 4:** This is the only instruction, which provides for an 8-bit multiply.

Words:            1

Cycles:            1<sup>(1)</sup>

**Note 1:** In dsPIC33E and PIC24E devices, the listed cycle count does not apply to read and read-modify-write operations on non-CPU Special Function Registers. For more details, see **Note 3** in [Section 3.2.1 "Multi-Cycle Instructions"](#).

Example 1:      MUL.B 0x800    ; Multiply (0x800)\*WREG (Byte mode)

	Before Instruction		After Instruction
WREG (W0)	9823	WREG (W0)	9823
W2	FFFF	W2	13B0
W3	FFFF	W3	FFFF
Data 0800	2690	Data 0800	2690
SR	0000	SR	0000

# 16-bit MCU and DSC Programmer's Reference Manual

---

Example 2:    MUL   TMR1        ; Multiply (TMR1)\*WREG (Word mode)

Before Instruction		After Instruction	
WREG (W0)	F001	WREG (W0)	F001
W2	0000	W2	C287
W3	0000	W3	2F5E
TMR1	3287	TMR1	3287
SR	0000	SR	0000



# Section 5. Instruction Descriptions

## MUL.SS

### Integer 16x16-bit Signed Multiply

Implemented in:	PIC24F	PIC24H	PIC24E	dsPIC30F	dsPIC33F	dsPIC33E
	X	X	X	X	X	X

Syntax: {label:} MUL.SS Wb, Ws, Wnd  
 [Ws],  
 [Ws++],  
 [Ws--],  
 [++Ws],  
 [--Ws],

Operands: Wb ∈ [W0 ... W15]  
 Ws ∈ [W0 ... W15]  
 Wnd ∈ [W0, W2, W4 ... W12]

Operation: signed (Wb) \* signed (Ws) → Wnd:Wnd + 1

Status Affected: None

Encoding:	1011	1001	1www	wddd	dppp	ssss
-----------	------	------	------	------	------	------

Description: Multiply the contents of Wb with the contents of Ws, and store the 32-bit result in two successive working registers. The least significant word of the result is stored in Wnd (which must be an even numbered working register), and the most significant word of the result is stored in Wnd + 1. Both source operands and the result Wnd are interpreted as two's complement signed integers. Register direct addressing must be used for Wb and Wnd. Register direct or register indirect addressing may be used for Ws.

The 'w' bits select the address of the base register.

The 'd' bits select the address of the lower destination register.

The 'p' bits select the source Address mode.

The 's' bits select the source register.

- Note 1:** This instruction operates in Word mode only.
- 2:** Since the product of the multiplication is 32 bits, Wnd must be an even working register. See [Figure 4-2](#) for information on how double words are aligned in memory.
- 3:** Wnd may not be W14, since W15<0> is fixed to zero.
- 4:** The IF bit and the US<1:0> bits in the CORCON register have no effect on this operation.

Words: 1

Cycles: 1<sup>(1)</sup>

**Note 1:** In dsPIC33E and PIC24E devices, the listed cycle count does not apply to read and read-modify-write operations on non-CPU Special Function Registers. For more details, see **Note 3** in [Section 3.2.1 “Multi-Cycle Instructions”](#).

# 16-bit MCU and DSC Programmer's Reference Manual

---

Example 1:    `MUL.SS W0, W1, W12`    ; Multiply W0\*W1  
    ; Store the result to W12:W13

Before Instruction		After Instruction	
W0	9823	W0	9823
W1	67DC	W1	67DC
W12	FFFF	W12	D314
W13	FFFF	W13	D5DC
SR	0000	SR	0000

Example 2:    `MUL.SS W2, [--W4], W0`    ; Pre-decrement W4  
    ; Multiply W2\*[W4]  
    ; Store the result to W0:W1

Before Instruction		After Instruction	
W0	FFFF	W0	28F8
W1	FFFF	W1	0000
W2	0045	W2	0045
W4	27FE	W4	27FC
Data 27FC	0098	Data 27FC	0098
SR	0000	SR	0000

# Section 5. Instruction Descriptions

## MUL.SS

Integer 16x16-bit Signed Multiply with Accumulator Destination

Implemented in:	PIC24F	PIC24H	PIC24E	dsPIC30F	dsPIC33F	dsPIC33E
						X

Syntax: {label:} MUL.SS Wb, Ws, [Ws], A [Ws++], B [Ws--], [++Ws], [--Ws],

Operands: Wb ∈ [W0 ... W15]  
Ws ∈ [W0 ... W15]  
ACC ∈ [A, B]

Operation: signed (Wb) \* signed (Ws) →ACC(A or B)

Status Affected: None

Encoding:	1011	1001	1www	w111	Appp	ssss
-----------	------	------	------	------	------	------

Description: Performs a 16-bit x 16-bit signed multiply with a 32-bit result, which is stored in one of the DSP engine accumulators, ACCA or ACCB. The 32-bit result is sign extended to bit 39 prior to being loaded into the target accumulator.

The source operands are treated as integer or fractional values depending upon the operating mode of the DSP engine (as defined by the IF bit in CORCON<0>). Both source operands are treated as signed values.

The 'w' bits select the address of the base register.  
The 'd' bits select the address of the source register.  
The 'p' bits select source Address mode 2.  
The 'A' bit selects the destination accumulator for the product.

**Note 1:** This instruction operates in Word mode only.

**2:** The state of the multiplier mode bits (US<1:0> in CORCON) have no effect upon the operation of this instruction.

Words: 1

Cycles: 1<sup>(1)</sup>

**Note 1:** In dsPIC33E and PIC24E devices, the listed cycle count does not apply to read and read-modify-write operations on non-CPU Special Function Registers. For more details, see **Note 3** in [Section 3.2.1 "Multi-Cycle Instructions"](#).

Example 1: MUL.SS W0, W1, A

	Before Instruction	After Instruction
W0	9823	9823
W1	67DC	67DC
Acc A	00 0000 0000	FF D5DC D314
SR	0000	0000

## MUL.SU

Integer 16x16-bit Signed-Unsigned Short Literal Multiply

Implemented in:	PIC24F	PIC24H	PIC24E	dsPIC30F	dsPIC33F	dsPIC33E
	X	X	X	X	X	X

Syntax: {label:} MUL.SU Wb, #lit5, Wnd

Operands: Wb ∈ [W0 ... W15]  
lit5 ∈ [0 ... 31]  
Wnd ∈ [W0, W2, W4 ... W12]

Operation: signed (Wb) \* unsigned lit5 → Wnd:Wnd + 1

Status Affected: None

Encoding:	1011	1001	0www	wddd	d11k	kkkk
-----------	------	------	------	------	------	------

Description: Multiply the contents of Wb with the 5-bit literal, and store the 32-bit result in two successive working registers. The least significant word of the result is stored in Wnd (which must be an even numbered working register), and the most significant word of the result is stored in Wnd + 1. The Wb operand and the result Wnd are interpreted as a two's complement signed integer. The literal is interpreted as an unsigned integer. Register direct addressing must be used for Wb and Wnd.

The 'w' bits select the address of the base register.

The 'd' bits select the address of the lower destination register.

The 'k' bits define a 5-bit unsigned integer literal.

- Note 1:** This instruction operates in Word mode only.
- 2:** Since the product of the multiplication is 32 bits, Wnd must be an even working register. See [Figure 4-3](#) for information on how double words are aligned in memory.
- 3:** Wnd may not be W14, since W15<0> is fixed to zero.
- 4:** The IF bit and the US<1:0> bits in the CORCON register have no effect on this operation.

Words: 1

Cycles: 1

Example 1: MUL.SU W0, #0x1F, W2 ; Multiply W0 by literal 0x1F  
; Store the result to W2:W3

	Before Instruction	After Instruction
W0	C000	C000
W2	1234	4000
W3	C9BA	FFF8
SR	0000	0000

## Section 5. Instruction Descriptions

---

Example 2:    `MUL.SU W2, #0x10, W0` ; Multiply W2 by literal 0x10  
; Store the result to W0:W1

Before Instruction		After Instruction	
W0	ABCD	W0	2400
W1	89B3	W1	000F
W2	F240	W2	F240
SR	0000	SR	0000

## MUL.SU

### Integer 16x16-bit Signed-Unsigned Multiply

Implemented in:	PIC24F	PIC24H	PIC24E	dsPIC30F	dsPIC33F	dsPIC33E
	X	X	X	X	X	X

Syntax: {label:} MUL.SU Wb, Ws, Wnd  
 [Ws],  
 [Ws++],  
 [Ws--],  
 [++Ws],  
 [--Ws],

Operands: Wb ∈ [W0 ... W15]  
 Ws ∈ [W0 ... W15]  
 Wnd ∈ [W0, W2, W4 ... W12]

Operation: signed (Wb) \* unsigned (Ws) → Wnd:Wnd + 1

Status Affected: None

Encoding:	1011	1001	0www	wddd	dppp	ssss
-----------	------	------	------	------	------	------

Description: Multiply the contents of Wb with the contents of Ws, and store the 32-bit result in two successive working registers. The least significant word of the result is stored in Wnd (which must be an even numbered working register), and the most significant word of the result is stored in Wnd + 1. The Wb operand and the result Wnd are interpreted as a two's complement signed integer. The Ws operand is interpreted as an unsigned integer. Register direct addressing must be used for Wb and Wnd. Register direct or register indirect addressing may be used for Ws.

The 'w' bits select the address of the base register.

The 'd' bits select the address of the lower destination register.

The 'p' bits select the source Address mode.

The 's' bits select the source register.

- Note 1:** This instruction operates in Word mode only.
- 2:** Since the product of the multiplication is 32 bits, Wnd must be an even working register. See [Figure 4-3](#) for information on how double words are aligned in memory.
- 3:** Wnd may not be W14, since W15<0> is fixed to zero.
- 4:** The IF bit and the US<1:0> bits in the CORCON register have no effect on this operation.

Words: 1

Cycles: 1<sup>(1)</sup>

**Note 1:** In dsPIC33E and PIC24E devices, the listed cycle count does not apply to read and read-modify-write operations on non-CPU Special Function Registers. For more details, see **Note 3** in [Section 3.2.1 "Multi-Cycle Instructions"](#).

## Section 5. Instruction Descriptions

Example 1: MUL.SU W8, [W9], W0 ; Multiply W8\*[W9]  
; Store the result to W0:W1

Before Instruction		After Instruction	
W0	68DC	W0	0000
W1	AA40	W1	F100
W8	F000	W8	F000
W9	178C	W9	178C
Data 178C	F000	Data 178C	F000
SR	0000	SR	0000

Example 2: MUL.SU W2, [++W3], W4 ; Pre-Increment W3  
; Multiply W2\*[W3]  
; Store the result to W4:W5

Before Instruction		After Instruction	
W2	0040	W2	0040
W3	0280	W3	0282
W4	1819	W4	1A00
W5	2021	W5	0000
Data 0282	0068	Data 0282	0068
SR	0000	SR	0000

## MUL.SU

Integer 16x16-bit Signed-Unsigned Multiply with Accumulator Destination

Implemented in:	PIC24F	PIC24H	PIC24E	dsPIC30F	dsPIC33F	dsPIC33E
						X

Syntax: {label:} MUL.SU Wb, Ws, A  
 [Ws], B  
 [Ws--],  
 [++Ws],  
 [--Ws],

Operands: Wb  $\in$  [W0 ... W15]  
 Ws  $\in$  [W0 ... W15]  
 ACC  $\in$  [A, B]

Operation: signed (Wb) \* unsigned (Ws)  $\rightarrow$  ACC(A or B)

Status Affected: None

Encoding:	1011	1001	0www	w111	Appp	ssss
-----------	------	------	------	------	------	------

Description: Performs a 16-bit x 16-bit signed multiply with a 32-bit result, which is stored in one of the DSP engine accumulators, ACCA or ACCB. The 32-bit result is sign extended to bit 39 prior to being loaded into the target accumulator.

The source operands are treated as integer or fractional values depending upon the operating mode of the DSP engine (as defined by the IF bit in CORCON<0>). The first source operand is interpreted as a two's complement signed value and the second source operand is interpreted as an unsigned value.

The 'w' bits select the address of the base register.

The 'd' bits select the address of the source register.

The 'p' bits select source Address mode 2.

The 'A' bit selects the destination accumulator for the product.

**Note 1:** This instruction operates in Word mode only.

**2:** The state of the multiplier mode bits (US<1:0> in CORCON) have no effect upon the operation of this instruction.

Words: 1

Cycles: 1<sup>(1)</sup>

**Note 1:** In dsPIC33E and PIC24E devices, the listed cycle count does not apply to read and read-modify-write operations on non-CPU Special Function Registers. For more details, see **Note 3** in [Section 3.2.1 "Multi-Cycle Instructions"](#).



## Section 5. Instruction Descriptions

---

Example 1: MUL.SU W8, W9, A

Before Instruction		After Instruction	
W8	F000	W8	F000
W9	F000	W9	F000
Acc A	00 0000 0000	Acc A	FF F100 0000
SR	0000	SR	0000

## MUL.SU

Integer 16x16-bit Signed-Unsigned Short Literal Multiply with Accumulator Destination

Implemented in:	PIC24F	PIC24H	PIC24E	dsPIC30F	dsPIC33F	dsPIC33E
						X

Syntax: {label:} MUL.SU Wb, #lit5, A  
B

Operands: Wb ∈ [W0 ... W15]  
lit5 ∈ [0 ... 31]  
ACC ∈ [A, B]

Operation: signed (Wb) \* unsigned (lit5) →ACC(A or B)

Status Affected: None

Encoding:	1011	1001	0www	w111	A11k	kkkk
-----------	------	------	------	------	------	------

Description: Performs a 16-bit x 16-bit signed multiply with a 32-bit result, which is stored in one of the DSP engine accumulators, ACCA or ACCB. The 32-bit result is sign extended to bit 39 prior to being loaded into the target accumulator.

The source operands are treated as integer or fractional values depending upon the operating mode of the DSP engine (as defined by the IF bit in CORCON<0>). The first source operand is interpreted as a two's complement signed value and the second source operand is interpreted as an unsigned value.

The 'w' bits select the address of the base register.

The 'k' bits select the 5-bit literal value.

The 'A' bit selects the destination accumulator for the product.

**Note 1:** This instruction operates in Word mode only.

**2:** The state of the multiplier mode bits (US<1:0> in CORCON) have no effect upon the operation of this instruction.

Words: 1

Cycles: 1

Example 1: MUL.SU W8, #0x02, A

	Before Instruction	After Instruction
W8	0042	0042
Acc A	00 0000 0000	00 0000 0084
SR	0000	0000



# 16-bit MCU and DSC Programmer's Reference Manual

---

Example 1: MUL.US W0, [W1], W2 ; Multiply W0\*[W1] (unsigned-signed)  
; Store the result to W2:W3

Before Instruction		After Instruction	
W0	C000	W0	C000
W1	2300	W1	2300
W2	00DA	W2	0000
W3	CC25	W3	F400
Data 2300	F000	Data 2300	F000
SR	0000	SR	0000

Example 2: MUL.US W6, [W5++], W10 ; Mult. W6\*[W5] (unsigned-signed)  
; Store the result to W10:W11  
; Post-Increment W5

Before Instruction		After Instruction	
W5	0C00	W5	0C02
W6	FFFF	W6	FFFF
W10	0908	W10	8001
W11	6EEB	W11	7FFE
Data 0C00	7FFF	Data 0C00	7FFF
SR	0000	SR	0000

# Section 5. Instruction Descriptions

## MUL.US

Integer 16x16-bit Unsigned-Signed Multiply with Accumulator Destination

Implemented in:	PIC24F	PIC24H	PIC24E	dsPIC30F	dsPIC33F	dsPIC33E
						X

Syntax: {label:} MUL.US Wb, Ws, A  
 [Ws], B  
 [Ws++],  
 [Ws--],  
 [++Ws],  
 [--Ws],

Operands: Wb ∈ [W0 ... W15]  
 Ws ∈ [W0 ... W15]  
 ACC ∈ [A, B]

Operation: unsigned (Wb) \* signed (Ws) →ACC(A or B)

Status Affected: None

Encoding:	1011	1000	0www	w111	Appp	ssss
-----------	------	------	------	------	------	------

Description: Performs a 16-bit x 16-bit signed multiply with a 32-bit result, which is stored in one of the DSP engine accumulators, ACCA or ACCB. The 32-bit result is sign extended to bit 39 prior to being loaded into the target accumulator.

The source operands are treated as integer or fractional values depending upon the operating mode of the DSP engine (as defined by the IF bit in CORCON<0>). The first source operand is interpreted as a unsigned value and the second source operand is interpreted as a two's complement signed value.

The 'w' bits select the address of the base register.

The 'd' bits select the address of the source register.

The 'p' bits select source Address mode 2.

The 'A' bit selects the destination accumulator for the product.

**Note 1:** This instruction operates in Word mode only.

**2:** The state of the multiplier mode bits (US<1:0> in CORCON) have no effect upon the operation of this instruction.

Words: 1

Cycles: 1<sup>(1)</sup>

**Note 1:** In dsPIC33E and PIC24E devices, the listed cycle count does not apply to read and read-modify-write operations on non-CPU Special Function Registers. For more details, see **Note 3** in [Section 3.2.1 "Multi-Cycle Instructions"](#).

# 16-bit MCU and DSC Programmer's Reference Manual

---

---

Example 1: MUL.US W0, W1, B

Before Instruction		After Instruction	
W0	C000	W0	0000
W1	F000	W1	F000
Acc B	00 0000 0000	Acc B	FF F400 0000
SR	0000	SR	0000

# Section 5. Instruction Descriptions

## MUL.UU

### Integer 16x16-bit Unsigned Short Literal Multiply

Implemented in:	PIC24F	PIC24H	PIC24E	dsPIC30F	dsPIC33F	dsPIC33E
	X	X	X	X	X	X

Syntax: {label:} MUL.UU Wb, #lit5, Wnd

Operands: Wb ∈ [W0 ... W15]  
lit5 ∈ [0 ... 31]  
Wnd ∈ [W0, W2, W4 ... W12]

Operation: unsigned (Wb) \* unsigned lit5 → Wnd:Wnd + 1

Status Affected: None

Encoding:	1011	1000	0www	wddd	d11k	kkkk
-----------	------	------	------	------	------	------

Description: Multiply the contents of Wb with the 5-bit literal, and store the 32-bit result in two successive working registers. The least significant word of the result is stored in Wnd (which must be an even numbered working register), and the most significant word of the result is stored in Wnd + 1. Both operands and the result are interpreted as unsigned integers. Register direct addressing must be used for Wb and Wnd.

The 'w' bits select the address of the base register.  
The 'd' bits select the address of the lower destination register.  
The 'k' bits define a 5-bit unsigned integer literal.

- Note 1:** This instruction operates in Word mode only.
- 2:** Since the product of the multiplication is 32 bits, Wnd must be an even working register. See [Figure 4-3](#) for information on how double words are aligned in memory.
- 3:** Wnd may not be W14, since W15<0> is fixed to zero.
- 4:** The IF bit and the US<1:0> bits in the CORCON register have no effect on this operation.

Words: 1

Cycles: 1

Example 1: MUL.UU W0, #0xF, W12 ; Multiply W0 by literal 0xF  
; Store the result to W12:W13

	Before		After
	Instruction		Instruction
W0	2323	W0	2323
W12	4512	W12	0F0D
W13	7821	W13	0002
SR	0000	SR	0000

Example 2: MUL.UU W7, #0x1F, W0 ; Multiply W7 by literal 0x1F  
; Store the result to W0:W1

	Before		After
	Instruction		Instruction
W0	780B	W0	55C0
W1	3805	W1	001D
W7	F240	W7	F240
SR	0000	SR	0000

## MUL.UU

### Integer 16x16-bit Unsigned Multiply

Implemented in:	PIC24F	PIC24H	PIC24E	dsPIC30F	dsPIC33F	dsPIC33E
	X	X	X	X	X	X

Syntax: {label:} MUL.UU Wb, Ws, Wnd  
[Ws],  
[Ws++],  
[Ws--],  
[++Ws],  
[--Ws],

Operands: Wb  $\in$  [W0 ... W15]  
Ws  $\in$  [W0 ... W15]  
Wnd  $\in$  [W0, W2, W4 ... W12]

Operation: unsigned (Wb) \* unsigned (Ws)  $\rightarrow$  Wnd:Wnd + 1

Status Affected: None

Encoding:	1011	1000	0www	wddd	dppp	ssss
-----------	------	------	------	------	------	------

Description: Multiply the contents of Wb with the contents of Ws, and store the 32-bit result in two successive working registers. The least significant word of the result is stored in Wnd (which must be an even numbered working register), and the most significant word of the result is stored in Wnd + 1. Both source operands and the result are interpreted as unsigned integers. Register direct addressing must be used for Wb and Wnd. Register direct or indirect addressing may be used for Ws.

The 'w' bits select the address of the base register.  
The 'd' bits select the address of the lower destination register.  
The 'p' bits select the source Address mode.  
The 's' bits select the source register.

- Note 1:** This instruction operates in Word mode only.  
**2:** Since the product of the multiplication is 32 bits, Wnd must be an even working register. See [Figure 4-3](#) for information on how double words are aligned in memory.  
**3:** Wnd may not be W14, since W15<0> is fixed to zero.  
**4:** The IF bit and the US<1:0> bits in the CORCON register have no effect on this operation.

Words: 1

Cycles: 1<sup>(1)</sup>

**Note 1:** In dsPIC33E and PIC24E devices, the listed cycle count does not apply to read and read-modify-write operations on non-CPU Special Function Registers. For more details, see **Note 3** in [Section 3.2.1 “Multi-Cycle Instructions”](#).



## Section 5. Instruction Descriptions

Example 1: MUL.UU W4, W0, W2 ; Multiply W4\*W0 (unsigned-unsigned)  
; Store the result to W2:W3

Before Instruction		After Instruction	
W0	FFFF	W0	FFFF
W2	2300	W2	0001
W3	00DA	W3	FFFE
W4	FFFF	W4	FFFF
SR	0000	SR	0000

Example 2: MUL.UU W0, [W1++], W4 ; Mult. W0\*[W1] (unsigned-unsigned)  
; Store the result to W4:W5  
; Post-Increment W1

Before Instruction		After Instruction	
W0	1024	W0	1024
W1	2300	W1	2302
W4	9654	W4	6D34
W5	BDBC	W5	0D80
Data 2300	D625	Data 2300	D625
SR	0000	SR	0000

## MUL.UU

### Integer 16x16-bit Unsigned Multiply with Accumulator Destination

Implemented in:	PIC24F	PIC24H	PIC24E	dsPIC30F	dsPIC33F	dsPIC33E
						X

Syntax:            {label:}   MUL.UU   Wb,           Ws,           A  
  [Ws],           B  
  [Ws++],  
  [Ws--],  
  [++Ws],  
  [--Ws],

Operands:           Wb ∈ [W0 ... W15]  
                          Ws ∈ [W0 ... W15]  
                          ACC ∈ [A, B]

Operation:           unsigned (Wb) \* unsigned (Ws) →ACC(A or B)

Status Affected:    None

Encoding:	1011	1000	0www	w111	A <sub>pp</sub>	s <sub>sss</sub>
-----------	------	------	------	------	-----------------	------------------

Description:         Performs a 16-bit x 16-bit unsigned multiply with a 32-bit result, which is stored in one of the DSP engine accumulators, ACCA or ACCB. The 32-bit result is zero extended to bit 39 prior to being loaded into the target accumulator.

The source operands are treated as integer or fractional values depending upon the operating mode of the DSP engine (as defined by the IF bit in CORCON<0>). Both source operands are treated as unsigned values.

The 'w' bits select the address of the base register.

The 'd' bits select the address of the source register.

The 'p' bits select source Address mode 2.

The 'A' bit selects the destination accumulator for the product.

**Note 1:** This instruction operates in Word mode only.

**2:** The state of the multiplier mode bits (US<1:0> in CORCON) have no effect upon the operation of this instruction.

Words:              1

Cycles:             1<sup>(1)</sup>

**Note 1:** In dsPIC33E and PIC24E devices, the listed cycle count does not apply to read and read-modify-write operations on non-CPU Special Function Registers. For more details, see **Note 3** in [Section 3.2.1 "Multi-Cycle Instructions"](#).

Example 1:        MUL.UU   W4, W0, B

	Before Instruction	After Instruction
W0	FFFFF	FFFFF
W4	FFFFF	FFFFF
Acc B	00 0000 0000	FF FFFE 0001
SR	0000	0000









# Section 5. Instruction Descriptions

---

Example 2: MULW.SU W2, [++W3], W4 ; Pre-Increment W3  
; Multiply W2\*[W3]  
; Store the result to W4

Before		After	
	Instruction		Instruction
W2	0040	W2	0040
W3	0280	W3	0282
W4	1819	W4	1A00
Data 0282	0068	Data 0282	0068
SR	0000	SR	0000





# Section 5. Instruction Descriptions

## MULW.US

Integer 16x16-bit Unsigned-Signed Multiply with 16-bit Result

Implemented in:	PIC24F	PIC24H	PIC24E	dsPIC30F	dsPIC33F	dsPIC33E
			X			X

Syntax: {label:} MULW.US Wb, Ws, Wnd  
 [Ws],  
 [Ws++],  
 [Ws--],  
 [++Ws],  
 [--Ws],

Operands: Wb ∈ [W0 ... W15]  
 Ws ∈ [W0 ... W15]  
 Wnd ∈ [W0, W2, W4 ... W12]

Operation: unsigned (Wb) \* signed (Ws) →Wnd

Status Affected: None

Encoding:	1011	1000	1www	wddd	dppp	ssss
-----------	------	------	------	------	------	------

Description: Multiply the contents of Wb with the contents of Ws, and store the result in a working register, which must be an even numbered working register. The Wb operand is interpreted as an unsigned integer. The Ws operand and the result Wnd are interpreted as a two's complement signed integer. Register direct addressing must be used for Wb and Wnd. Register direct or register indirect addressing may be used for Ws.

The 'w' bits select the address of the base register.  
 The 'd' bits select the address of the lower destination register.  
 The 'p' bits select the source Address mode.  
 The 's' bits select the source register.

- Note 1:** This instruction operates in Word mode only.  
**2:** Wnd must be an even working register.  
**3:** Wnd may not be W14, since W15<0> is fixed to zero.  
**4:** The IF bit and the US<1:0> bits in the CORCON register have no effect on this operation.

Words: 1

Cycles: 1(4)

**Note 1:** In dsPIC33E and PIC24E devices, the listed cycle count does not apply to read and read-modify-write operations on non-CPU Special Function Registers. For more details, see **Note 3** in [Section 3.2.1 "Multi-Cycle Instructions"](#).

**Example 1:** MULW.US W0, [W1], W2 ; Multiply W0\*[W1] (unsigned-signed)  
 ; Store the result to W2

	Before Instruction		After Instruction
W0	C000	W0	C000
W1	2300	W1	2300
W2	00DA	W2	0000
Data 2300	F000	Data 2300	F000
SR	0000	SR	0000

# 16-bit MCU and DSC Programmer's Reference Manual

---

Example 2:      `MULW.US W6, [W5++], W10`    ; Mult. W6\*[W5] (unsigned-signed)  
    ; Store the result to W10  
    ; Post-Increment W5

Before		After			
	Instruction		Instruction		
W5	<table border="1"><tr><td>0C00</td></tr></table>	0C00	W5	<table border="1"><tr><td>0C02</td></tr></table>	0C02
0C00					
0C02					
W6	<table border="1"><tr><td>FFFF</td></tr></table>	FFFF	W6	<table border="1"><tr><td>FFFF</td></tr></table>	FFFF
FFFF					
FFFF					
W10	<table border="1"><tr><td>0908</td></tr></table>	0908	W10	<table border="1"><tr><td>8001</td></tr></table>	8001
0908					
8001					
Data 0C00	<table border="1"><tr><td>7FFF</td></tr></table>	7FFF	Data 0C00	<table border="1"><tr><td>7FFF</td></tr></table>	7FFF
7FFF					
7FFF					
SR	<table border="1"><tr><td>0000</td></tr></table>	0000	SR	<table border="1"><tr><td>0000</td></tr></table>	0000
0000					
0000					

# Section 5. Instruction Descriptions

## MULW.UU

Integer 16x16-bit Unsigned Multiply with 16-bit Result

Implemented in:	PIC24F	PIC24H	PIC24E	dsPIC30F	dsPIC33F	dsPIC33E
			X			X

Syntax: {label:} MULW.UU Wb, Ws, Wnd  
 [Ws],  
 [Ws++],  
 [Ws--],  
 [++Ws],  
 [--Ws],

Operands: Wb ∈ [W0 ... W15]  
 Ws ∈ [W0 ... W15]  
 Wnd ∈ [W0, W2, W4 ... W12]

Operation: unsigned (Wb) \* unsigned (Ws) → Wnd

Status Affected: None

Encoding:	1011	1000	0www	wddd	dppp	ssss
-----------	------	------	------	------	------	------

Description: Multiply the contents of Wb with the contents of Ws, and store the result in a working register, which must be an even numbered working register). Both source operands and the result are interpreted as unsigned integers. Register direct addressing must be used for Wb and Wnd. Register direct or indirect addressing may be used for Ws.

The 'w' bits select the address of the base register.

The 'd' bits select the address of the lower destination register.

The 'p' bits select the source Address mode.

The 's' bits select the source register.

- Note 1:** This instruction operates in Word mode only.  
**2:** Wnd must be an even working register.  
**3:** Wnd may not be W14, since W15<0> is fixed to zero.  
**4:** The IF bit and the US<1:0> bits in the CORCON register have no effect on this operation.

Words: 1

Cycles: 1<sup>(1)</sup>

**Note 1:** In dsPIC33E and PIC24E devices, the listed cycle count does not apply to read and read-modify-write operations on non-CPU Special Function Registers. For more details, see **Note 3** in [Section 3.2.1 "Multi-Cycle Instructions"](#).

Example 1: MULW.UU W4, W0, W2 ; Multiply W4\*W0 (unsigned-unsigned)  
 ; Store the result to W2

	Before Instruction		After Instruction
W0	FFFF	W0	FFFF
W2	2300	W2	0001
W4	FFFF	W4	FFFF
SR	0000	SR	0000

## MULW.UU

Integer 16x16-bit Unsigned Short Literal Multiply with 16-bit Result

Implemented in:	PIC24F	PIC24H	PIC24E	dsPIC30F	dsPIC33F	dsPIC33E
			X			X

Syntax: {label:} MULW.UU Wb, #lit5, Wnd

Operands: Wb ∈ [W0 ... W15]  
lit5 ∈ [0 ... 31]  
Wnd ∈ [W0, W2, W4 ... W12]

Operation: unsigned (Wb) \* unsigned →Wnd

Status Affected: None

Encoding:	1011	1000	0www	wddd	d11k	kkkk
-----------	------	------	------	------	------	------

Description: Multiply the contents of Wb with a 5-bit literal value, and store the result in a working registers, which must be an even numbered working register). Both source operands and the result are interpreted as unsigned integers. Register direct addressing must be used for Wb and Wnd.

The 'w' bits select the address of the base register.

The 'd' bits select the address of the lower destination register.

The 'k' bits select the 5-bit literal value.

- Note 1:** This instruction operates in Word mode only.  
**2:** Wnd must be an even working register.  
**3:** Wnd may not be W14, since W15<0> is fixed to zero.  
**4:** The IF bit and the US<1:0> bits in the CORCON register have no effect on this operation.

Words: 1

Cycles: 1

Example 1: MULW.UU W4, #0x04, W2 ; Multiply W4\*W0 (unsigned-unsigned)  
; Store the result to W2

	Before	After
	Instruction	Instruction
W2	2300	4000
W4	1000	1000
SR	0000	0000

# Section 5. Instruction Descriptions

## NEG

Negate f

Implemented in:	PIC24F	PIC24H	PIC24E	dsPIC30F	dsPIC33F	dsPIC33E
	X	X	X	X	X	X

Syntax: {label:} NEG{.B} f {,WREG}

Operands:  $f \in [0 \dots 8191]$

Operation:  $\overline{(f)} + 1 \rightarrow$ destination designated by D

Status Affected: DC, N, OV, Z, C

Encoding:	1110	1110	0BDf	ffff	ffff	ffff
-----------	------	------	------	------	------	------

Description: Compute the two's complement of the contents of the file register and place the result in the destination register. The optional WREG operand determines the destination register. If WREG is specified, the result is stored in WREG. If WREG is not specified, the result is stored in the file register.

The 'B' bit selects byte or word operation ('0' for word, '1' for byte).

The 'D' bit selects the destination ('0' for WREG, '1' for file register).

The 'f' bits select the address of the file register.

**Note 1:** The extension .B in the instruction denotes a byte operation rather than a word operation. You may use a .W extension to denote a word operation, but it is not required.

**2:** The WREG is set to working register W0.

Words: 1

Cycles: 1(4)

**Note 1:** In dsPIC33E and PIC24E devices, the listed cycle count does not apply to read and read-modify-write operations on non-CPU Special Function Registers. For more details, see **Note 3** in [Section 3.2.1 "Multi-Cycle Instructions"](#).

Example 1: NEG.B 0x880, WREG ; Negate (0x880) (Byte mode)  
; Store result to WREG

	Before	After
	Instruction	Instruction
WREG (W0)	9080	90AB
Data 0880	2355	2355
SR	0000	0008 (N = 1)

Example 2: NEG 0x1200 ; Negate (0x1200) (Word mode)

	Before	After
	Instruction	Instruction
Data 1200	8923	76DD
SR	0000	0000

## NEG

Negate Ws

Implemented in:	PIC24F	PIC24H	PIC24E	dsPIC30F	dsPIC33F	dsPIC33E
	X	X	X	X	X	X

Syntax: {label:} NEG{.B} Ws, Wd  
[Ws], [Wd]

## NEG

Negate Ws

[Ws++], [Wd++]  
 [Ws--], [Wd--]  
 [++Ws], [++Wd]  
 [--Ws], [--Wd]

Operands: Ws ∈ [W0 ... W15]  
 Wd ∈ [W0 ... W15]

Operation:  $\overline{(Ws)} + 1 \rightarrow Wd$

Status Affected: DC, N, OV, Z, C

Encoding: 

1110	1010	0Bqq	qddd	dppp	ssss
------	------	------	------	------	------

Description: Compute the two's complement of the contents of the source register Ws and place the result in the destination register Wd. Either register direct or indirect addressing may be used for both Ws and Wd.

The 'B' bit selects byte or word operation ('0' for word, '1' for byte).

The 'q' bits select the destination Address mode.

The 'd' bits select the destination register.

The 'p' bits select the source Address mode.

The 's' bits select the source register.

**Note:** The extension .B in the instruction denotes a byte operation rather than a word operation. You may use a .W extension to denote a word operation, but it is not required.

Words: 1

Cycles: 1(1)

**Note 1:** In dsPIC33E and PIC24E devices, the listed cycle count does not apply to read and read-modify-write operations on non-CPU Special Function Registers. For more details, see **Note 3** in [Section 3.2.1 "Multi-Cycle Instructions"](#).

Example 1: NEG.B W3, [W4++] ; Negate W3 and store to [W4] (Byte mode)  
 ; Post-increment W4

	Before Instruction		After Instruction	
W3	7839		7839	
W4	1005		1006	
Data 1004	2355	Data 1004	C755	
SR	0000		0008	(N = 1)

Example 2: NEG [W2++], [--W4] ; Pre-decrement W4 (Word mode)  
 ; Negate [W2] and store to [W4]  
 ; Post-increment W2

	Before Instruction		After Instruction	
W2	0900		0902	
W4	1002		1000	
Data 0900	870F	Data 0900	870F	
Data 1000	5105	Data 1000	78F1	
SR	0000		0000	

# Section 5. Instruction Descriptions

## NEG

### Negate Accumulator

Implemented in:	PIC24F	PIC24H	PIC24E	dsPIC30F	dsPIC33F	dsPIC33E
				X	X	X

Syntax: {label;} NEG Acc

Operands:  $Acc \in [A,B]$

Operation: If (Acc = A):  
 $-ACCA \rightarrow ACCA$   
Else:  
 $-ACCB \rightarrow ACCB$

Status Affected: OA, OB, OAB, SA, SB, SAB

Encoding:	1100	1011	A001	0000	0000	0000
-----------	------	------	------	------	------	------

Description: Compute the two's complement of the contents of the specified accumulator. Regardless of the Saturation mode, this instruction operates on all 40 bits of the accumulator.

The 'A' bit specifies the selected accumulator.

Words: 1

Cycles: 1

Example 1:      NEG A      ; Negate ACCA  
    ; Store result to ACCA  
    ; CORCON = 0x0000 (no saturation)

	Before Instruction	After Instruction
ACCA	00 3290 59C8	FF CD6F A638
CORCON	0000	0000
SR	0000	0000

Example 2:      NEG B      ; Negate ACCB  
    ; Store result to ACCB  
    ; CORCON = 0x00C0 (normal saturation)

	Before Instruction	After Instruction
ACCB	FF F230 10DC	00 0DCF EF24
CORCON	00C0	00C0
SR	0000	0000

## NOP

### No Operation

Implemented in:	PIC24F	PIC24H	PIC24E	dsPIC30F	dsPIC33F	dsPIC33E
	X	X	X	X	X	X

Syntax: {label;} NOP

Operands: None

Operation: No Operation

Status Affected: None

Encoding:	0000	0000	xxxx	xxxx	xxxx	xxxx
-----------	------	------	------	------	------	------

Description: No Operation is performed.

The 'x' bits can take any value.

Words: 1

Cycles: 1

Example 1: NOP ; execute no operation

	Before Instruction		After Instruction
PC	00 1092		00 1094
SR	0000		0000

Example 2: NOP ; execute no operation

	Before Instruction		After Instruction
PC	00 08AE		00 08B0
SR	0000		0000

## NOPR

### No Operation

Implemented in:	PIC24F	PIC24H	PIC24E	dsPIC30F	dsPIC33F	dsPIC33E
	X	X	X	X	X	X

Syntax: {label;} NOPR

Operands: None

Operation: No Operation

Status Affected: None

Encoding:	1111	1111	xxxx	xxxx	xxxx	xxxx
-----------	------	------	------	------	------	------

Description: No Operation is performed.

The 'x' bits can take any value.

Words: 1

Cycles: 1



## Section 5. Instruction Descriptions

Example 1:    NOPR    ; execute no operation

Before Instruction		After Instruction	
PC	00 2430	PC	00 2432
SR	0000	SR	0000

Example 2:    NOPR    ; execute no operation

Before Instruction		After Instruction	
PC	00 1466	PC	00 1468
SR	0000	SR	0000

### POP Pop TOS to f

Implemented in:	PIC24F	PIC24H	PIC24E	dsPIC30F	dsPIC33F	dsPIC33E
	X	X	X	X	X	X

Syntax:            {label;}    POP        f

Operands:             $f \in [0 \dots 65534]$

Operation:             $(W15) - 2 \rightarrow W15$   
                            $(TOS) \rightarrow f$

Status Affected:    None

Encoding:	1111	1001	ffff	ffff	ffff	fff0
-----------	------	------	------	------	------	------

Description:            The Stack Pointer (W15) is pre-decremented by 2 and the Top-of-Stack (TOS) word is written to the specified file register, which may reside anywhere in the lower 32K words of data memory.

The 'f' bits select the address of the file register.

- Note 1:** This instruction operates in Word mode only.  
**Note 2:** The file register address must be word-aligned.

Words:                1

Cycles:               1

Example 1:    POP 0x1230    ; Pop TOS to 0x1230

Before Instruction		After Instruction	
W15	1006	W15	1004
Data 1004	A401	Data 1004	A401
Data 1230	2355	Data 1230	A401
SR	0000	SR	0000

# 16-bit MCU and DSC Programmer's Reference Manual

Example 2: POP 0x880 ; Pop TOS to 0x880

Before Instruction		After Instruction	
W15	2000	W15	1FFE
Data 0880	E3E1	Data 0880	A090
Data 1FFE	A090	Data 1FFE	A090
SR	0000	SR	0000

## POP

Pop TOS to Wd

Implemented in:	PIC24F	PIC24H	PIC24E	dsPIC30F	dsPIC33F	dsPIC33E
	X	X	X	X	X	X

Syntax: {label;} POP Wd  
 [Wd]  
 [Wd++]  
 [Wd--]  
 [--Wd]  
 [++Wd]  
 [Wd+Wb]

Operands: Wd ∈ [W0 ... W15]  
 Wb ∈ [W0 ... W15]

Operation: (W15) – 2 →W15  
 (TOS) →Wd

Status Affected: None

Encoding:	0111	1www	w0hh	hddd	d100	1111
-----------	------	------	------	------	------	------

Description: The Stack Pointer (W15) is pre-decremented by 2 and the Top-of-Stack (TOS) word is written to Wd. Either register direct or indirect addressing may be used for Wd.

The 'w' bits define the offset register Wb.  
 The 'h' bits select the destination Address mode.  
 The 'd' bits select the destination register.

- Note 1:** This instruction operates in Word mode only.  
**2:** This instruction is a specific version of the "MOV Ws, Wd" instruction (MOV [--W15], Wd). It reverse assembles as MOV.

Words: 1

Cycles: 1

Example 1: POP W4 ; Pop TOS to W4

Before Instruction		After Instruction	
W4	EDA8	W4	C45A
W15	1008	W15	1006
Data 1006	C45A	Data 1006	C45A
SR	0000	SR	0000

# Section 5. Instruction Descriptions

Example 2: POP [++W10] ; Pre-increment W10  
; Pop TOS to [W10]

	Before Instruction		After Instruction
W10	0E02	W10	0E04
W15	1766	W15	1764
Data 0E04	E3E1	Data 0E04	C7B5
Data 1764	C7B5	Data 1764	C7B5
SR	0000	SR	0000

## POP.D

Double Pop TOS to Wnd:Wnd+1

Implemented in:	PIC24F	PIC24H	PIC24E	dsPIC30F	dsPIC33F	dsPIC33E
	X	X	X	X	X	X

Syntax: {label;} POP.D Wnd

Operands: Wnd  $\in$  [W0, W2, W4, ... W14]

Operation:

(W15) – 2  $\rightarrow$  W15  
 (TOS)  $\rightarrow$  Wnd + 1  
 (W15) – 2  $\rightarrow$  W15  
 (TOS)  $\rightarrow$  Wnd

Status Affected: None

Encoding:	1011	1110	0000	0ddd	0100	1111
-----------	------	------	------	------	------	------

Description: A double word is POPped from the Top-of-Stack (TOS) and stored to Wnd:Wnd + 1. The most significant word is stored to Wnd + 1, and the least significant word is stored to Wnd. Since a double word is POPped, the Stack Pointer (W15) gets decremented by 4.

The 'd' bits select the address of the destination register pair.

- Note 1:** This instruction operates on double words. See [Figure 4-3](#) for information on how double words are aligned in memory.
- 2:** Wnd must be an even working register.
- 3:** This instruction is a specific version of the "MOV.D Ws, Wnd" instruction (MOV.D [--W15], Wnd). It reverse assembles as MOV.D.

Words: 1

Cycles: 2

Example 1: POP.D W6 ; Double pop TOS to W6

	Before Instruction		After Instruction
W6	07BB	W6	3210
W7	89AE	W7	7654
W15	0850	W15	084C
Data 084C	3210	Data 084C	3210
Data 084E	7654	Data 084E	7654
SR	0000	SR	0000

# 16-bit MCU and DSC Programmer's Reference Manual

Example 2: POP.D W0 ; Double pop TOS to W0

Before Instruction		After Instruction	
W0	673E	W0	791C
W1	DD23	W1	D400
W15	0BBC	W15	0BB8
Data 0BB8	791C	Data 0BB8	791C
Data 0BBA	D400	Data 0BBA	D400
SR	0000	SR	0000

## POP.S

### Pop Shadow Registers

Implemented in:	PIC24F	PIC24H	PIC24E	dsPIC30F	dsPIC33F	dsPIC33E
	X	X	X	X	X	X

Syntax: {label;} POP.S

Operands: None

Operation: POP shadow registers

Status Affected: DC, N, OV, Z, C

Encoding:	1111	1110	1000	0000	0000	0000
-----------	------	------	------	------	------	------

Description: The values in the shadow registers are copied into their respective primary registers. The following registers are affected: W0-W3, and the C, Z, OV, N and DC STATUS register flags.

**Note 1:** The shadow registers are not directly accessible. They may only be accessed with PUSH.S and POP.S.

**2:** The shadow registers are only one-level deep.

Words: 1

Cycles: 1

Example 1: POP.S ; Pop the shadow registers  
; (See PUSH.S Example 1 for contents of shadows)

Before Instruction		After Instruction	
W0	07BB	W0	0000
W1	03FD	W1	1000
W2	9610	W2	2000
W3	7249	W3	3000
SR	00E0 (IPL = 7)	SR	00E1 (IPL = 7, C = 1)

**Note:** After instruction execution, contents of shadow registers are NOT modified.

# Section 5. Instruction Descriptions

## PUSH

Push f to TOS

Implemented in:	PIC24F	PIC24H	PIC24E	dsPIC30F	dsPIC33F	dsPIC33E
	X	X	X	X	X	X

Syntax: {label:} PUSH f

Operands:  $f \in [0 \dots 65534]$

Operation: (f)  $\rightarrow$ (TOS)  
(W15) + 2  $\rightarrow$ W15

Status Affected: None

Encoding:	1111	1000	ffff	ffff	ffff	fff0
-----------	------	------	------	------	------	------

Description: The contents of the specified file register are written to the Top-of-Stack (TOS) location and then the Stack Pointer (W15) is incremented by 2. The file register may reside anywhere in the lower 32K words of data memory.

The 'f' bits select the address of the file register.

- Note 1:** This instruction operates in Word mode only.  
**2:** The file register address must be word-aligned.

Words: 1

Cycles: 1<sup>(1)</sup>

**Note 1:** In dsPIC33E and PIC24E devices, the listed cycle count does not apply to read and read-modify-write operations on non-CPU Special Function Registers. For more details, see **Note 3** in [Section 3.2.1 "Multi-Cycle Instructions"](#).

Example 1: PUSH 0x2004 ; Push (0x2004) to TOS

Before Instruction		After Instruction	
W15	0B00	W15	0B02
Data 0B00	791C	Data 0B00	D400
Data 2004	D400	Data 2004	D400
SR	0000	SR	0000

Example 2: PUSH 0xC0E ; Push (0xC0E) to TOS

Before Instruction		After Instruction	
W15	0920	W15	0922
Data 0920	0000	Data 0920	67AA
Data 0C0E	67AA	Data 2004	67AA
SR	0000	SR	0000

## PUSH

Push Ws to TOS

Implemented in:	PIC24F	PIC24H	PIC24E	dsPIC30F	dsPIC33F	dsPIC33E
	X	X	X	X	X	X

Syntax:            {label:}    PUSH    Ws  
   [Ws]  
   [Ws++]  
   [Ws--]  
   [--Ws]  
   [++Ws]  
   [Ws+Wb]

Operands:            Ws  $\in$  [W0 ... W15]  
   Wb  $\in$  [W0 ... W15]

Operation:            (Ws)  $\rightarrow$ (TOS)  
   (W15) + 2  $\rightarrow$ W15

Status Affected:    None

Encoding:	0111	1www	w001	1111	1ggg	ssss
-----------	------	------	------	------	------	------

Description:            The contents of Ws are written to the Top-of-Stack (TOS) location and then the Stack Pointer (W15) is incremented by 2.

The 'w' bits define the offset register Wb.  
The 'g' bits select the source Address mode.  
The 's' bits select the source register.

- Note 1:** This instruction operates in Word mode only.  
**2:** This instruction is a specific version of the "MOV Ws, Wd" instruction (MOV Ws, [W15++]). It reverse assembles as MOV.

Words:                1  
Cycles:                1(4)

**Note 1:** In dsPIC33E and PIC24E devices, the listed cycle count does not apply to read and read-modify-write operations on non-CPU Special Function Registers. For more details, see **Note 3** in [Section 3.2.1 "Multi-Cycle Instructions"](#).

Example 1:          PUSH W2                    ; Push W2 to TOS

	Before Instruction	After Instruction
W2	6889	6889
W15	1566	1568
Data 1566	0000	6889
SR	0000	0000

# Section 5. Instruction Descriptions

Example 2: PUSH [W5+W10] ; Push [W5+W10] to TOS

Before Instruction		After Instruction	
W5	1200	W5	1200
W10	0044	W10	0044
W15	0806	W15	0808
Data 0806	216F	Data 0806	B20A
Data 1244	B20A	Data 1244	B20A
SR	0000	SR	0000

## PUSH.D

Double Push Wns:Wns+1 to TOS

Implemented in:	PIC24F	PIC24H	PIC24E	dsPIC30F	dsPIC33F	dsPIC33E
	X	X	X	X	X	X

Syntax: {label;} PUSH.D Wns

Operands: Wns ∈ [W0, W2, W4 ... W14]

Operation:  
 (Wns) →(TOS)  
 (W15) + 2 →W15  
 (Wns + 1) →(TOS)  
 (W15) + 2 →W15

Status Affected: None

Encoding:	1011	1110	1001	1111	1000	sss0
-----------	------	------	------	------	------	------

Description: A double word (Wns:Wns + 1) is PUSHed to the Top-of-Stack (TOS). The least significant word (Wns) is PUSHed to the TOS first, and the most significant word (Wns + 1) is PUSHed to the TOS last. Since a double word is PUSHed, the Stack Pointer (W15) gets incremented by 4.

The 's' bits select the address of the source register pair.

**Note 1:** This instruction operates on double words. See [Figure 4-3](#) for information on how double words are aligned in memory.

**2:** Wns must be an even working register.

**3:** This instruction is a specific version of the "MOV.D Wns, Wd" instruction (MOV.D Wns, [W15++]). It reverse assembles as MOV.D.

Words: 1

Cycles: 2

Example 1: PUSH.D W6 ; Push W6:W7 to TOS

Before Instruction		After Instruction	
W6	C451	W6	C451
W7	3380	W7	3380
W15	1240	W15	1244
Data 1240	B004	Data 1240	C451
Data 1242	0891	Data 1242	3380
SR	0000	SR	0000

# 16-bit MCU and DSC Programmer's Reference Manual

---

---

Example 2:    PUSH.D   W10                    ; Push W10:W11 to TOS

Before Instruction		After Instruction	
W10	80D3	W10	80D3
W11	4550	W11	4550
W15	0C08	W15	0C0C
Data 0C08	79B5	Data 0C08	80D3
Data 0C0A	008E	Data 0C0A	4550
SR	0000	SR	0000



## PUSH.S

### Push Shadow Registers

Implemented in:	PIC24F	PIC24H	PIC24E	dsPIC30F	dsPIC33F	dsPIC33E
	X	X	X	X	X	X

Syntax:            {label;}    PUSH.S

Operands:           None

Operation:          PUSH shadow registers

Status Affected:   None

Encoding:	1111	1110	1010	0000	0000	0000
-----------	------	------	------	------	------	------

Description:        The contents of the primary registers are copied into their respective shadow registers. The following registers are shadowed: W0-W3, and the C, Z, OV, N and DC STATUS register flags.

**Note 1:** The shadow registers are not directly accessible. They may only be accessed with PUSH.S and POP.S.

**2:** The shadow registers are only one-level deep.

Words:             1

Cycles:            1

Example 1:        PUSH.S       ; Push primary registers into shadow registers

	Before Instruction		After Instruction
W0	0000	W0	0000
W1	1000	W1	1000
W2	2000	W2	2000
W3	3000	W3	3000
SR	0001 (C = 1)	SR	0001 (C = 1)

**Note:** After an instruction execution, contents of the shadow registers are updated.

## PWRSAV

### Enter Power Saving Mode

Implemented in:	PIC24F	PIC24H	PIC24E	dsPIC30F	dsPIC33F	dsPIC33E
	X	X	X	X	X	X

Syntax: {label:} PWRSAV #lit1

Operands: lit1 ∈ [0,1]

Operation: 0 →WDT count register  
 0 →WDT prescaler A count  
 0 →WDT prescaler B count  
 0 →WDTO (RCON<4>)  
 0 →SLEEP (RCON<3>)  
 0 →IDLE (RCON<2>)  
 If (lit1 = 0):  
     Enter Sleep mode  
 Else:  
     Enter Idle mode

Status Affected: None

Encoding:	1111	1110	0100	0000	0000	000k
-----------	------	------	------	------	------	------

Description: Place the processor into the specified Power Saving mode. If lit1 = '0', Sleep mode is entered. In Sleep mode, the clock to the CPU and peripherals are shutdown. If an on-chip oscillator is being used, it is also shutdown. If lit1 = '1', Idle mode is entered. In Idle mode, the clock to the CPU shuts down, but the clock source remains active and the peripherals continue to operate.

This instruction resets the Watchdog Timer Count register and the Prescaler Count registers. In addition, the WDTO, Sleep and Idle flags of the Reset System and Control register (RCON) are reset.

- Note 1:** The processor will exit from Idle or Sleep through an interrupt, processor Reset or Watchdog Time-out. See the specific device data sheet for details.
- 2:** If awakened from Idle mode, Idle bit (RCON<2>) is set to '1' and the clock source is applied to the CPU.
- 3:** If awakened from Sleep mode, Sleep bit (RCON<3>) is set to '1' and the clock source is started.
- 4:** If awakened from a Watchdog Time-out, WDTO bit (RCON<4>) is set to '1'.

Words: 1

Cycles: 1

Example 1: PWRSAV #0 ; Enter SLEEP mode

Before Instruction	After Instruction
SR <span style="border: 1px solid black; padding: 2px;">0040</span> (IPL = 2)	SR <span style="border: 1px solid black; padding: 2px;">0040</span> (IPL = 2)

Example 2: PWRSAV #1 ; Enter IDLE mode

Before Instruction	After Instruction
SR <span style="border: 1px solid black; padding: 2px;">0020</span> (IPL = 1)	SR <span style="border: 1px solid black; padding: 2px;">0020</span> (IPL = 1)

# Section 5. Instruction Descriptions

## RCALL Relative Call

Implemented in:	PIC24F	PIC24H	PIC24E	dsPIC30F	dsPIC33F	dsPIC33E
	X	X		X	X	

Syntax: {label;} RCALL Expr

Operands: Expr may be an absolute address, label or expression.  
Expr is resolved by the linker to a Slit16, where Slit16 ∈ [-32768 ... 32767].

Operation: (PC) + 2 → PC  
(PC<15:0>) → (TOS)  
(W15) + 2 → W15  
(PC<22:16>) → (TOS)  
(W15) + 2 → W15  
(PC) + (2 \* Slit16) → PC  
NOP → Instruction Register

Status Affected: None

Encoding:	0000	0111	nnnn	nnnn	nnnn	nnnn
-----------	------	------	------	------	------	------

Description: Relative subroutine call with a range of 32K program words forward or back from the current PC. Before the call is made, the return address (PC + 2) is PUSHed onto the stack. After the return address is stacked, the sign-extended 17-bit value (2 \* Slit16) is added to the contents of the PC and the result is stored in the PC.

The 'n' bits are a signed literal that specifies the size of the relative call (in program words) from (PC + 2).

**Note:** When possible, this instruction should be used instead of CALL, since it only consumes one word of program memory.

Words: 1

Cycles: 2

```

Example 1: 012004          RCALL  _Task1          ; Call _Task1
           012006          ADD    W0, W1, W2
           .                ...
           .                ...
           012458 _Task1:  SUB    W0, W2, W3          ; _Task1 subroutine
           01245A          ...
    
```

	Before Instruction	After Instruction
PC	01 2004	01 2458
W15	0810	0814
Data 0810	FFFF	2006
Data 0812	FFFF	0001
SR	0000	0000

# 16-bit MCU and DSC Programmer's Reference Manual

---

Example 2:    00620E            RCALL    \_Init            ; Call \_Init  
                 006210            MOV       W0, [W4++]  
                 .                ...  
                 .                ...  
                 007000 \_Init:    CLR       W2            ; \_Init subroutine  
                 007002            ...

	Before Instruction		After Instruction
PC	00 620E	PC	00 7000
W15	0C50	W15	0C54
Data 0C50	FFFF	Data 0C50	6210
Data 0C52	FFFF	Data 0C52	0000
SR	0000	SR	0000

# Section 5. Instruction Descriptions

## RCALL Relative Call

Implemented in:	PIC24F	PIC24H	PIC24E	dsPIC30F	dsPIC33F	dsPIC33E
			X			X

Syntax:            {label;}    RCALL    Expr

Operands:            Expr may be an absolute address, label or expression.  
 Expr is resolved by the linker to a Slit16, where Slit16 ∈ [-32768 ... 32767].

Operation:            (PC) + 2 →PC  
 (PC<15:1>) →TOS<15:1>, SFA bit →TOS<0>  
 (W15) + 2 →W15  
 (PC<22:16>) →(TOS)  
 (W15) + 2 →W15  
 0 →SFA bit  
 (PC) + (2 \* Slit16) →PC  
 NOP →Instruction Register

Status Affected:    SFA

Encoding:	0000	0111	nnnn	nnnn	nnnn	nnnn
-----------	------	------	------	------	------	------

Description:            Relative subroutine call with a range of 32K program words forward or back from the current PC. Before the call is made, the return address (PC + 2) is PUSHed onto the stack. After the return address is stacked, the sign-extended 17-bit value (2 \* Slit16) is added to the contents of the PC and the result is stored in the PC.

The 'n' bits are a signed literal that specifies the size of the relative call (in program words) from (PC + 2).

**Note:**    When possible, this instruction should be used instead of CALL, since it only consumes one word of program memory.

Words:                1

Cycles:               4

```

Example 1:    012004            RCALL    _Task1                    ; Call _Task1
                 012006            ADD      W0, W1, W2
                 .                    ...
                 .                    ...
                 012458    _Task1:    SUB      W0, W2, W3               ; _Task1 subroutine
                 01245A            ...
  
```

	Before Instruction		After Instruction
PC	01 2004		PC    01 2458
W15	0810		W15    0814
Data 0810	FFFF	Data 0810	2006
Data 0812	FFFF	Data 0812	0001
SR	0000	SR	0000

# 16-bit MCU and DSC Programmer's Reference Manual

---

---

Example 2:    00620E            RCALL    \_Init                ; Call \_Init  
                 006210            MOV       W0, [W4++]  
                 .                    ...  
                 .                    ...  
                 007000 \_Init:       CLR       W2                ; \_Init subroutine  
                 007002            ...

	Before Instruction		After Instruction
PC	00 620E	PC	00 7000
W15	0C50	W15	0C54
Data 0C50	FFFF	Data 0C50	6210
Data 0C52	FFFF	Data 0C52	0000
SR	0000	SR	0000

# Section 5. Instruction Descriptions

## RCALL

### Computed Relative Call

Implemented in:	PIC24F	PIC24H	PIC24E	dsPIC30F	dsPIC33F	dsPIC33E
	X	X		X	X	

Syntax: {label;} RCALL Wn

Operands: Wn ∈ [W0 ... W15]

Operation:  
(PC) + 2 → PC  
(PC<15:0>) → (TOS)  
(W15) + 2 → W15  
(PC<22:16>) → (TOS)  
(W15) + 2 → W15  
(PC) + (2 \* (Wn)) → PC  
NOP → Instruction Register

Status Affected: None

Encoding:	0000	0001	0010	0000	0000	SSSS
-----------	------	------	------	------	------	------

Description: Computed, relative subroutine call specified by the working register Wn. The range of the call is 32K program words forward or back from the current PC. Before the call is made, the return address (PC + 2) is PUSHed onto the stack. After the return address is stacked, the sign-extended 17-bit value (2 \* (Wn)) is added to the contents of the PC and the result is stored in the PC. Register direct addressing must be used for Wn.

The 's' bits select the source register.

Words: 1

Cycles: 2

**Example 1:**

```

00FF8C EX1: INC W2, W3 ; Destination of RCALL
00FF8E      ...
      .
      .
010008
01000A      RCALL W6 ; RCALL with W6
01000C      MOVE W4, [W10]
    
```

	Before Instruction	After Instruction
PC	01 000A	00 FF8C
W6	FFC0	FFC0
W15	1004	1008
Data 1004	98FF	000C
Data 1006	2310	0001
SR	0000	0000

# 16-bit MCU and DSC Programmer's Reference Manual

---

Example 2:

```

000302          RCALL W2          ; RCALL with W2
000304          FF1L W0, W1
.              ...
.              ...
000450 EX2:     CLR W2          ; Destination of RCALL
000452          ...
    
```

Before Instruction		After Instruction	
PC	00 0302	PC	00 0450
W2	00A6	W2	00A6
W15	1004	W15	1008
Data 1004	32BB	Data 1004	0304
Data 1006	901A	Data 1006	0000
SR	0000	SR	0000



# Section 5. Instruction Descriptions

## RCALL

### Computed Relative Call

Implemented in:	PIC24F	PIC24H	PIC24E	dsPIC30F	dsPIC33F	dsPIC33E
			X			X

Syntax: {label;} RCALL Wn

Operands:  $Wn \in [W0 \dots W15]$

Operation:  
 $(PC) + 2 \rightarrow PC$   
 $(PC<15:1>) \rightarrow TOS<15:1>$ , SFA bit  $\rightarrow TOS<0>$   
 $(W15) + 2 \rightarrow W15$   
 $(PC<22:16>) \rightarrow (TOS)$   
 $(W15) + 2 \rightarrow W15$   
 $0 \rightarrow SFA$  bit  
 $(PC) + (2 * (Wn)) \rightarrow PC$   
 NOP  $\rightarrow$  Instruction Register

Status Affected: SFA

Encoding:	0000	0001	0000	0010	0000	ssss
-----------	------	------	------	------	------	------

Description: Computed, relative subroutine call specified by the working register Wn. The range of the call is 32K program words forward or back from the current PC. Before the call is made, the return address (PC + 2) is PUSHed onto the stack. After the return address is stacked, the sign-extended 17-bit value ( $2 * (Wn)$ ) is added to the contents of the PC and the result is stored in the PC. Register direct addressing must be used for Wn.

The 's' bits select the source register.

Words: 1

Cycles: 4

Example 1:

```

00FF8C EX1: INC W2, W3 ; Destination of RCALL
00FF8E      ...
.         ...
.         ...
010008
01000A      RCALL W6 ; RCALL with W6
01000C      MOVE W4, [W10]
  
```

	Before Instruction	After Instruction
PC	01 000A	00 FF8C
W6	FFC0	FFC0
W15	1004	1008
Data 1004	98FF	000C
Data 1006	2310	0001
SR	0000	0000

# 16-bit MCU and DSC Programmer's Reference Manual

---

---

Example 2:    000302            RCALL    W2                    ; RCALL with W2  
                 000304            FF1L     W0, W1  
                 .                    ...  
                 .                    ...  
                 000450    EX2:    CLR       W2                    ; Destination of RCALL  
                 000452            ...

	Before Instruction		After Instruction
PC	00 0302	PC	00 0450
W2	00A6	W2	00A6
W15	1004	W15	1008
Data 1004	32BB	Data 1004	0304
Data 1006	901A	Data 1006	0000
SR	0000	SR	0000

## Section 5. Instruction Descriptions

### REPEAT

Repeat Next Instruction 'lit14 + 1' Times

Implemented in:	PIC24F	PIC24H	PIC24E	dsPIC30F	dsPIC33F	dsPIC33E
	X	X		X	X	

Syntax: {label;} REPEAT #lit14

Operands: lit14  $\in$  [0 ... 16383]

Operation: (lit14)  $\rightarrow$ RCOUNT  
(PC) + 2  $\rightarrow$ PC  
Enable Code Looping

Status Affected: RA

Encoding:	0000	1001	00kk	kkkk	kkkk	kkkk
-----------	------	------	------	------	------	------

Description: Repeat the instruction immediately following the REPEAT instruction (lit14 + 1) times. The repeated instruction (or target instruction) is held in the instruction register for all iterations and is only fetched once. When this instruction executes, the RCOUNT register is loaded with the repeat count value specified in the instruction. RCOUNT is decremented with each execution of the target instruction. When RCOUNT equals zero, the target instruction is executed one more time, and then normal instruction execution continues with the instruction following the target instruction.

The 'k' bits are an unsigned literal that specifies the loop count.

**Special Features, Restrictions:**

1. When the repeat literal is '0', REPEAT has the effect of a NOP and the RA bit is not set.
2. The target REPEAT instruction cannot be:
  - an instruction that changes program flow
  - a D0, DISI, LNK, MOV.D, PWRSAV, REPEAT or UNLK instruction
  - a 2-word instruction

Unexpected results may occur if these target instructions are used.

**Note:** The REPEAT and target instruction are interruptible.

Words: 1

Cycles: 1

Example 1:      000452    REPEAT #9    ; Execute ADD 10 times  
                   000454    ADD    [W0++], W1, [W2++]        ; Vector update

	Before Instruction	After Instruction
PC	00 0452	00 0454
RCOUNT	0000	0009
SR	0000	0010 (RA = 1)

# 16-bit MCU and DSC Programmer's Reference Manual

---

Example 2:    00089E    REPEAT    #0x3FF    ; Execute CLR 1024 times  
                 0008A0    CLR        [W6++]    ; Clear the scratch space

	Before Instruction	After Instruction
PC	00 089E	00 08A0
RCOUNT	0000	03FF
SR	0000	0010 (RA = 1)

## Section 5. Instruction Descriptions

### REPEAT

Repeat Next Instruction 'lit15 + 1' Times

Implemented in:	PIC24F	PIC24H	PIC24E	dsPIC30F	dsPIC33F	dsPIC33E
			X			X

Syntax:                 {label;}    REPEAT    #lit15

Operands:             lit15 ∈ [0 ... 32767]

Operation:            (lit15) →RCOUNT  
                         (PC) + 2 →PC  
                         Enable Code Looping

Status Affected:     RA

Encoding:	0000	1001	0kkk	kkkk	kkkk	kkkk
-----------	------	------	------	------	------	------

Description:         Repeat the instruction immediately following the REPEAT instruction (lit15 + 1) times. The repeated instruction (or target instruction) is held in the instruction register for all iterations and is only fetched once. When this instruction executes, the RCOUNT register is loaded with the repeat count value specified in the instruction. RCOUNT is decremented with each execution of the target instruction. When RCOUNT equals zero, the target instruction is executed one more time, and then normal instruction execution continues with the instruction following the target instruction.

The 'k' bits are an unsigned literal that specifies the loop count.

**Special Features, Restrictions:**

1. When the repeat literal is '0', REPEAT has the effect of a NOP and the RA bit is not set.
2. The target REPEAT instruction cannot be:
  - an instruction that changes program flow
  - a DISI, LNK, MOV.D, PWRSAV, REPEAT or UNLK instruction
  - a 2-word instruction

Unexpected results may occur if these target instructions are used.

**Note:**    The REPEAT and target instruction are interruptible.

Words:                1

Cycles:               1

Example 1:       000452    REPEAT #9   ; Execute ADD 10 times  
                       000454    ADD    [W0++], W1, [W2++]                 ; Vector update

	Before Instruction		After Instruction
PC	00 0452	PC	00 0454
RCOUNT	0000	RCOUNT	0009
SR	0000	SR	0010 (RA = 1)

# 16-bit MCU and DSC Programmer's Reference Manual

---

Example 2:    00089E    REPEAT    #0x3FF    ; Execute CLR 1024 times  
                 0008A0    CLR        [W6++]    ; Clear the scratch space

Before Instruction		After Instruction	
PC	00 089E	PC	00 08A0
RCOUNT	0000	RCOUNT	03FF
SR	0000	SR	0010 (RA = 1)

# Section 5. Instruction Descriptions

## REPEAT

Repeat Next Instruction Wn+1 Times

Implemented in:	PIC24F	PIC24H	PIC24E	dsPIC30F	dsPIC33F	dsPIC33E
	X	X		X	X	

Syntax: {label;} REPEAT Wn

Operands: Wn ∈ [W0 ... W15]

Operation: (Wn<13:0>) →RCOUNT  
(PC) + 2 →PC  
Enable Code Looping

Status Affected: RA

Encoding:	0000	1001	1000	0000	0000	SSSS
-----------	------	------	------	------	------	------

Description: Repeat the instruction immediately following the REPEAT instruction (Wn<13:0>) times. The instruction to be repeated (or target instruction) is held in the instruction register for all iterations and is only fetched once.

When this instruction executes, the RCOUNT register is loaded with the lower 14 bits of Wn. RCOUNT is decremented with each execution of the target instruction. When RCOUNT equals zero, the target instruction is executed one more time, and then normal instruction execution continues with the instruction following the target instruction.

The 's' bits specify the Wn register that contains the repeat count.

### Special Features, Restrictions:

- When (Wn) = 0, REPEAT has the effect of a NOP and the RA bit is not set.
- The target REPEAT instruction cannot be:
  - an instruction that changes program flow
  - a DO, DISI, LNK, MOV.D, PWRSAV, REPEAT or ULNK instruction
  - a 2-word instruction

Unexpected results may occur if these target instructions are used.

**Note:** The REPEAT and target instruction are interruptible.

Words: 1

Cycles: 1

Example 1:    000A26 REPEAT W4                    ; Execute COM (W4+1) times  
                  000A28 COM [W0++], [W2++] ; Vector complement

	Before Instruction	After Instruction
PC	00 0A26	00 0A28
W4	0023	0023
RCOUNT	0000	0023
SR	0000	0010 (RA = 1)

# 16-bit MCU and DSC Programmer's Reference Manual

---

Example 2:    00089E REPEAT W10                    ; Execute TBLRD (W10+1) times  
                 0008A0 TBLRDL [W2++], [W3++] ; Decrement (0x840)

Before Instruction	
PC	00 089E
W10	00FF
RCOUNT	0000
SR	0000

After Instruction	
PC	00 08A0
W10	00FF
RCOUNT	00FF
SR	0010 (RA = 1)



# Section 5. Instruction Descriptions

## REPEAT

Repeat Next Instruction Wn+1 Times

Implemented in:	PIC24F	PIC24H	PIC24E	dsPIC30F	dsPIC33F	dsPIC33E
			X			X

Syntax: {label;} REPEAT Wn

Operands: Wn ∈ [W0 ... W15]

Operation: (Wn) →RCOUNT  
(PC) + 2 →PC  
Enable Code Looping

Status Affected: RA

Encoding:	0000	1001	1000	0000	0000	SSSS
-----------	------	------	------	------	------	------

Description: Repeat the instruction immediately following the REPEAT instruction (Wn) times. The instruction to be repeated (or target instruction) is held in the instruction register for all iterations and is only fetched once.

When this instruction executes, the RCOUNT register is loaded with Wn. RCOUNT is decremented with each execution of the target instruction. When RCOUNT equals zero, the target instruction is executed one more time, and then normal instruction execution continues with the instruction following the target instruction.

The 's' bits specify the Wn register that contains the repeat count.

### Special Features, Restrictions:

- When (Wn) = 0, REPEAT has the effect of a NOP and the RA bit is not set.
- The target REPEAT instruction cannot be:
  - an instruction that changes program flow
  - a D0, DISI, LNK, MOV.D, PWRSAV, REPEAT or ULNK instruction
  - a 2-word instruction

Unexpected results may occur if these target instructions are used.

**Note:** The REPEAT and target instruction are interruptible.

Words: 1

Cycles: 1

Example 1: 000A26 REPEAT W4 ; Execute COM (W4+1) times  
000A28 COM [W0++], [W2++] ; Vector complement

	Before Instruction	After Instruction
PC	00 0A26	00 0A28
W4	0023	0023
RCOUNT	0000	0023
SR	0000	0010 (RA = 1)

# 16-bit MCU and DSC Programmer's Reference Manual

---

---

Example 2:    00089E REPEAT W10                    ; Execute TBLRD (W10+1) times  
                 0008A0 TBLRDL [W2++], [W3++] ; Decrement (0x840)

Before Instruction	
PC	00 089E
W10	00FF
RCOUNT	0000
SR	0000

After Instruction	
PC	00 08A0
W10	00FF
RCOUNT	00FF
SR	0010 (RA = 1)

## RESET

### Reset

Implemented in:	PIC24F	PIC24H	PIC24E	dsPIC30F	dsPIC33F	dsPIC33E
	X	X	X	X	X	X

Syntax:            {label;}   RESET

Operands:           None

Operation:           Force all registers that are affected by a  $\overline{MCLR}$  Reset to their Reset condition.  
                           1 →SWR (RCON<6>)  
                           0 →PC

Status Affected:   OA, OB, OAB, SA, SB, SAB, DA, DC, IPL<2:0>, RA, N, OV, Z, C, SFA

Encoding:	1111	1110	0000	0000	0000	0000
-----------	------	------	------	------	------	------

Description:        This instruction provides a way to execute a software Reset. All core and peripheral registers will take their power-on value. The PC will be set to '0', the location of the RESET GOTO instruction. The SWR bit (RCON<6>), will be set to '1' to indicate that the RESET instruction was executed.

**Note:**   Refer to the specific device family reference manual for the power-on value of all registers.

Words:               1

Cycles:              1

# 16-bit MCU and DSC Programmer's Reference Manual

---

Example 1: 00202A RESET ; Execute software RESET on dsPIC33F

	Before Instruction		After Instruction
PC	00 202A	PC	00 0000
W0	8901	W0	0000
W1	08BB	W1	0000
W2	B87A	W2	0000
W3	872F	W3	0000
W4	C98A	W4	0000
W5	AAD4	W5	0000
W6	981E	W6	0000
W7	1809	W7	0000
W8	C341	W8	0000
W9	90F4	W9	0000
W10	F409	W10	0000
W11	1700	W11	0000
W12	1008	W12	0000
W13	6556	W13	0000
W14	231D	W14	0000
W15	1704	W15	0800
SPLIM	1800	SPLIM	0000
TBLPAG	007F	TBLPAG	0000
PSVPAG	0001	PSVPAG	0000
CORCON	00F0	CORCON	0020 (SATDW = 1)
RCON	0000	RCON	0040 (SWR = 1)
SR	0021 (IPL, C = 1)	SR	0000

# Section 5. Instruction Descriptions

## RETFIE

Return from Interrupt

Implemented in:	PIC24F	PIC24H	PIC24E	dsPIC30F	dsPIC33F	dsPIC33E
	X	X		X	X	

Syntax: {label;} RETFIE

Operands: None

Operation:  
 (W15) - 2 →W15  
 (TOS<15:8>) →(SR<7:0>)  
 (TOS<7>) →(IPL3, CORCON<3>)  
 (TOS<6:0>) →(PC<22:16>)  
 (W15) - 2 →W15  
 (TOS<15:0>) →(PC<15:0>)  
 NOP →Instruction Register

Status Affected: IPL<3:0>, RA, N, OV, Z, C

Encoding:	0000	0110	0100	0000	0000	0000
-----------	------	------	------	------	------	------

Description: Return from Interrupt Service Routine. The stack is POPped, which loads the low byte of the STATUS register, IPL<3> (CORCON<3>) and the Most Significant Byte of the PC. The stack is POPped again, which loads the lower 16 bits of the PC.

**Note 1:** Restoring IPL<3> and the low byte of the STATUS register restores the Interrupt Priority Level to the level before the execution was processed.

**2:** Before RETFIE is executed, the appropriate interrupt flag must be cleared in software to avoid recursive interrupts.

Words: 1

Cycles: 3 (2 if exception pending)

Example 1: 000A26 RETFIE ; Return from ISR

	Before Instruction		After Instruction
PC	00 0A26	PC	01 0230
W15	0834	W15	0830
Data 0830	0230	Data 0830	0230
Data 0832	8101	Data 0832	8101
CORCON	0001	CORCON	0001
SR	0000	SR	0081 (IPL = 4, C = 1)

Example 2: 008050 RETFIE ; Return from ISR

	Before Instruction		After Instruction
PC	00 8050	PC	00 7008
W15	0926	W15	0922
Data 0922	7008	Data 0922	7008
Data 0924	0300	Data 0924	0300
CORCON	0000	CORCON	0000
SR	0000	SR	0003 (Z, C = 1)

## RETFIE

### Return from Interrupt

Implemented in:	PIC24F	PIC24H	PIC24E	dsPIC30F	dsPIC33F	dsPIC33E
			X			X

Syntax:            {label;}    RETFIE

Operands:           None

Operation:           (W15) - 2 →W15  
 (TOS<15:8>) →(SR<7:0>)  
 (TOS<7>) →(IPL3, CORCON<3>)  
 (TOS<6:0>) →(PC<22:16>)  
 (W15) - 2 →W15  
 (TOS<15:1>) →(PC<15:1>)  
 TOS<0> →SFA bit  
 NOP →Instruction Register

Status Affected:   IPL<3:0>, RA, N, OV, Z, C, SFA

Encoding:	0000	0110	0100	0000	0000	0000
-----------	------	------	------	------	------	------

Description:        Return from Interrupt Service Routine. The stack is POPped, which loads the low byte of the STATUS register, IPL<3> (CORCON<3>) and the Most Significant Byte of the PC. The stack is POPped again, which loads the lower 16 bits of the PC.

**Note 1:** Restoring IPL<3> and the low byte of the STATUS register restores the Interrupt Priority Level to the level before the execution was processed.

**2:** Before RETFIE is executed, the appropriate interrupt flag must be cleared in software to avoid recursive interrupts.

Words:               1

Cycles:              6 (5 if exception pending)

Example 1:    000A26   RETFIE   ; Return from ISR

	Before Instruction	After Instruction
PC	00 0A26	01 0230
W15	0834	0830
Data 0830	0230	0230
Data 0832	8101	8101
CORCON	0001	0001
SR	0000	0081 (IPL = 4, C = 1)

Example 2:    008050   RETFIE   ; Return from ISR

	Before Instruction	After Instruction
PC	00 8050	00 7008
W15	0926	0922
Data 0922	7008	7008
Data 0924	0300	0300
CORCON	0000	0000
SR	0000	0003 (Z, C = 1)

# Section 5. Instruction Descriptions

## RETLW

Return with Literal in Wn

Implemented in:	PIC24F	PIC24H	PIC24E	dsPIC30F	dsPIC33F	dsPIC33E
	X	X		X	X	

Syntax: {label;} RETLW{.B} #lit10, Wn

Operands: lit10 ∈ [0 ... 255] for byte operation  
lit10 ∈ [0 ... 1023] for word operation  
Wn ∈ [W0 ... W15]

Operation: (W15) – 2 →W15  
TOS<15:8> →SR<7:0>  
TOS<7:0> →|P|L<3> : PC<22:16>  
(W15) – 2 →W15  
(TOS) →(PC<15:0>)  
lit10 →Wn  
NOP →Instruction register

Status Affected: None

Encoding:	0000	0101	0Bkk	kkkk	kkkk	dddd
-----------	------	------	------	------	------	------

Description: Return from subroutine with the specified, unsigned 10-bit literal stored in Wn. The software stack is POPped twice to restore the PC and the signed literal is stored in Wn. Since two POPs are made, the Stack Pointer (W15) is decremented by 4.

The 'B' bit selects byte or word operation ('0' for word, '1' for byte).  
The 'k' bits specify the value of the literal.  
The 'd' bits select the destination register.

**Note 1:** The extension .B in the instruction denotes a byte operation rather than a word operation. You may use a .W extension to denote a word operation, but it is not required.

**2:** For byte operations, the literal must be specified as an unsigned value [0:255]. See [Section 4.6 "Using 10-bit Literal Operands"](#) for information on using 10-bit literal operands in Byte mode.

Words: 1

Cycles: 3 (2 if exception pending)

Example 1: 000440 RETLW.B #0xA, W0 ; Return with 0xA in W0

	Before Instruction		After Instruction
PC	00 0440	PC	00 7006
W0	9846	W0	980A
W15	1988	W15	1984
Data 1984	7006	Data 1984	7006
Data 1986	0000	Data 1986	0000
SR	0000	SR	0000

# 16-bit MCU and DSC Programmer's Reference Manual

---

---

Example 2: 00050A RETLW #0x230, W2 ; Return with 0x230 in W2

Before Instruction		After Instruction	
PC	00 050A	PC	01 7008
W2	0993	W2	0230
W15	1200	W15	11FC
Data 11FC	7008	Data 11FC	7008
Data 11FE	0001	Data 11FE	0001
SR	0000	SR	0000



# Section 5. Instruction Descriptions

## RETLW

Return with Literal in Wn

Implemented in:	PIC24F	PIC24H	PIC24E	dsPIC30F	dsPIC33F	dsPIC33E
			X			X

Syntax: {label;} RETLW{.B} #lit10, Wn

Operands: lit10 ∈ [0 ... 255] for byte operation  
lit10 ∈ [0 ... 1023] for word operation  
Wn ∈ [W0 ... W15]

Operation: (W15) – 2 → W15  
TOS<15:8> → SR<7:0>  
TOS<7:0> → IPL<3>: PC<22:16>  
(W15) – 2 → W15  
(TOS<15:1>) → (PC<15:1>)  
TOS<0> → SFA bit  
lit10 → Wn  
NOP → Instruction register

Status Affected: SFA

Encoding:	0000	0101	0Bkk	kkkk	kkkk	dddd
-----------	------	------	------	------	------	------

Description: Return from subroutine with the specified, unsigned 10-bit literal stored in Wn. The software stack is POPped twice to restore the PC and the signed literal is stored in Wn. Since two POPs are made, the Stack Pointer (W15) is decremented by 4.

The 'B' bit selects byte or word operation ('0' for word, '1' for byte).

The 'k' bits specify the value of the literal.

The 'd' bits select the destination register.

**Note 1:** The extension .B in the instruction denotes a byte operation rather than a word operation. You may use a .W extension to denote a word operation, but it is not required.

**2:** For byte operations, the literal must be specified as an unsigned value [0:255]. See [Section 4.6 "Using 10-bit Literal Operands"](#) for information on using 10-bit literal operands in Byte mode.

Words: 1

Cycles: 6 (5 if exception pending)

Example 1: 000440 RETLW.B #0xA, W0 ; Return with 0xA in W0

	Before Instruction		After Instruction
PC	00 0440	PC	00 7006
W0	9846	W0	980A
W15	1988	W15	1984
Data 1984	7006	Data 1984	7006
Data 1986	0000	Data 1986	0000
SR	0000	SR	0000

# 16-bit MCU and DSC Programmer's Reference Manual

---

Example 2: 00050A RETLW #0x230, W2 ; Return with 0x230 in W2

Before Instruction		After Instruction	
PC	00 050A	PC	01 7008
W2	0993	W2	0230
W15	1200	W15	11FC
Data 11FC	7008	Data 11FC	7008
Data 11FE	0001	Data 11FE	0001
SR	0000	SR	0000

## RETURN

### Return

Implemented in:	PIC24F	PIC24H	PIC24E	dsPIC30F	dsPIC33F	dsPIC33E
	X	X		X	X	

Syntax:            {label;}    RETURN

Operands:           None

Operation:           (W15) – 2 →W15  
                       (TOS) →(PC<22:16>)  
                       (W15) – 2 →W15  
                       (TOS) →(PC<15:0>)  
                       NOP →Instruction Register

Status Affected:    None

Encoding:	0000	0110	0000	0000	0000	0000
-----------	------	------	------	------	------	------

Description:        Return from subroutine. The software stack is POPped twice to restore the PC. Since two POPs are made, the Stack Pointer (W15) is decremented by 4.

Words:              1

Cycles:             3 (2 if exception pending)

Example 1:    001A06    RETURN       ; Return from subroutine

	Before Instruction		After Instruction
PC	00 1A06		01 0004
W15	1248		1244
Data 1244	0004		0004
Data 1246	0001		0001
SR	0000		0000

Example 2:    005404    RETURN       ; Return from subroutine

	Before Instruction		After Instruction
PC	00 5404		00 0966
W15	090A		0906
Data 0906	0966		0966
Data 0908	0000		0000
SR	0000		0000

## RETURN

### Return

Implemented in:	PIC24F	PIC24H	PIC24E	dsPIC30F	dsPIC33F	dsPIC33E
			X			X

Syntax: {label;} RETURN

Operands: None

Operation:  
 (W15) - 2 → W15  
 (TOS) → (PC<22:16>)  
 (W15) - 2 → W15  
 (TOS<15:1>) → (PC<15:1>)  
 TOS<0> → SFA bit  
 NOP → Instruction Register

Status Affected: SFA

Encoding:	0000	0110	0000	0000	0000	0000
-----------	------	------	------	------	------	------

Description: Return from subroutine. The software stack is POPped twice to restore the PC. Since two POPs are made, the Stack Pointer (W15) is decremented by 4.

Words: 1

Cycles: 6 (5 if exception pending)

Example 1: 001A06 RETURN ; Return from subroutine

	Before Instruction	After Instruction
PC	00 1A06	01 0004
W15	1248	1244
Data 1244	0004	0004
Data 1246	0001	0001
SR	0000	0000

Example 2: 005404 RETURN ; Return from subroutine

	Before Instruction	After Instruction
PC	00 5404	00 0966
W15	090A	0906
Data 0906	0966	0966
Data 0908	0000	0000
SR	0000	0000

# Section 5. Instruction Descriptions

## RLC

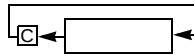
### Rotate Left f through Carry

Implemented in:	PIC24F	PIC24H	PIC24E	dsPIC30F	dsPIC33F	dsPIC33E
	X	X	X	X	X	X

Syntax:            {label:}    RLC{.B}    f            {WREG}

Operands:        f ∈ [0 ... 8191]

Operation:        For byte operation:  
                     (C) →Dest<0>  
                     (f<6:0>) →Dest<7:1>  
                     (f<7>) →C  
For word operation:  
                     (C) →Dest<0>  
                     (f<14:0>) →Dest<15:1>  
                     (f<15>) →C



Status Affected:    N, Z, C

Encoding:	1101	0110	1BDf	ffff	ffff	ffff
-----------	------	------	------	------	------	------

Description:        Rotate the contents of the file register f one bit to the left through the Carry flag and place the result in the destination register. The Carry flag of the STATUS Register is shifted into the Least Significant bit of the destination, and it is then overwritten with the Most Significant bit of Ws.

The optional WREG operand determines the destination register. If WREG is specified, the result is stored in WREG. If WREG is not specified, the result is stored in the file register.

The 'B' bit selects byte or word operation ('0' for word, '1' for byte).

The 'D' bit selects the destination ('0' for f, '1' for WREG).

The 'f' bits select the address of the file register.

**Note 1:** The extension .B in the instruction denotes a byte operation rather than a word operation. You may use a .W extension to denote a word operation, but it is not required.

**2:** The WREG is set to working register W0.

Words:            1

Cycles:           1

Example 1:        RLC.B 0x1233        ; Rotate Left w/ C (0x1233) (Byte mode)

<p>Before Instruction</p> <table border="1" style="margin-left: auto; margin-right: auto;"> <tr> <td style="padding: 2px;">Data 1232</td> <td style="padding: 2px; text-align: center;">E807</td> </tr> <tr> <td style="padding: 2px;">SR</td> <td style="padding: 2px; text-align: center;">0000</td> </tr> </table>	Data 1232	E807	SR	0000	<p>After Instruction</p> <table border="1" style="margin-left: auto; margin-right: auto;"> <tr> <td style="padding: 2px;">Data 1232</td> <td style="padding: 2px; text-align: center;">D007</td> </tr> <tr> <td style="padding: 2px;">SR</td> <td style="padding: 2px; text-align: center;">0009 (N, C = 1)</td> </tr> </table>	Data 1232	D007	SR	0009 (N, C = 1)
Data 1232	E807								
SR	0000								
Data 1232	D007								
SR	0009 (N, C = 1)								

# 16-bit MCU and DSC Programmer's Reference Manual

---

Example 2:    RLC 0x820, WREG ; Rotate Left w/ C (0x820) (Word mode)  
    ; Store result in WREG

	Before		After
	Instruction		Instruction
WREG (W0)	5601	WREG (W0)	42DD
Data 0820	216E	Data 0820	216E
SR	0001 (C = 1)	SR	0000 (C = 0)

# Section 5. Instruction Descriptions

## RLC

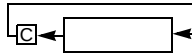
### Rotate Left Ws through Carry

Implemented in:	PIC24F	PIC24H	PIC24E	dsPIC30F	dsPIC33F	dsPIC33E
	X	X	X	X	X	X

Syntax: {label:} RLC{.B} Ws, Wd  
 [Ws], [Wd]  
 [Ws++], [Wd++]  
 [Ws--], [Wd--]  
 [++Ws], [++Wd]  
 [--Ws], [--Wd]

Operands: Ws ∈ [W0 ... W15]  
 Wd ∈ [W0 ... W15]

Operation: For byte operation:  
 (C) →Wd<0>  
 (Ws<6:0>) →Wd<7:1>  
 (Ws<7>) →C  
For word operation:  
 (C) →Wd<0>  
 (Ws<14:0>) →Wd<15:1>  
 (Ws<15>) →C



Status Affected: N, Z, C

Encoding:	1101	0010	1Bqq	qddd	dppp	ssss
-----------	------	------	------	------	------	------

Description: Rotate the contents of the source register Ws one bit to the left through the Carry flag and place the result in the destination register Wd. The Carry flag of the STATUS register is shifted into the Least Significant bit of Wd, and it is then overwritten with the Most Significant bit of Ws. Either register direct or indirect addressing may be used for Ws and Wd.

The 'B' bit selects byte or word operation ('0' for word, '1' for byte).

The 'q' bits select the destination Address mode.

The 'd' bits select the destination register.

The 'p' bits select the source Address mode.

The 's' bits select the source register.

**Note:** The extension .B in the instruction denotes a byte operation rather than a word operation. You may use a .W extension to denote a word operation, but it is not required.

Words: 1

Cycles: 1

Example 1: RLC.B W0, W3 ; Rotate Left w/ C (W0) (Byte mode)  
 ; Store the result in W3

	Before Instruction	After Instruction
W0	9976	9976
W3	5879	58ED
SR	0001 (C = 1)	0009 (N = 1)

# 16-bit MCU and DSC Programmer's Reference Manual

---

---

Example 2: RLC [w2++], [w8] ; Rotate Left w/ C [w2] (Word mode)  
; Post-increment w2  
; Store result in [w8]

Before		After	
Instruction		Instruction	
W2	2008	W2	200A
W8	094E	W8	094E
Data 094E	3689	Data 094E	8082
Data 2008	C041	Data 2008	C041
SR	0001 (C = 1)	SR	0009 (N, C = 1)



## RLNC

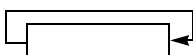
Rotate Left f without Carry

Implemented in:	PIC24F	PIC24H	PIC24E	dsPIC30F	dsPIC33F	dsPIC33E
	X	X	X	X	X	X

Syntax:            {label:}    RLNC{.B}    f                    {,WREG}

Operands:             $f \in [0 \dots 8191]$

Operation:            For byte operation:  
                            $(f\langle 6:0 \rangle) \rightarrow \text{Dest}\langle 7:1 \rangle$   
                            $(f\langle 7 \rangle) \rightarrow \text{Dest}\langle 0 \rangle$   
For word operation:  
                            $(f\langle 14:0 \rangle) \rightarrow \text{Dest}\langle 15:1 \rangle$   
                            $(f\langle 15 \rangle) \rightarrow \text{Dest}\langle 0 \rangle$



Status Affected:    N, Z

Encoding:	1101	0110	0Bdf	ffff	ffff	ffff
-----------	------	------	------	------	------	------

Description:            Rotate the contents of the file register f one bit to the left and place the result in the destination register. The Most Significant bit of f is stored in the Least Significant bit of the destination, and the Carry flag is not affected.

The optional WREG operand determines the destination register. If WREG is specified, the result is stored in WREG. If WREG is not specified, the result is stored in the file register.

The 'B' bit selects byte or word operation ('0' for word, '1' for byte).  
 The 'D' bit selects the destination ('0' for WREG, '1' for file register).  
 The 'f' bits select the address of the file register.

**Note 1:** The extension .B in the instruction denotes a byte operation rather than a word operation. You may use a .W extension to denote a word operation, but it is not required.

**2:** The WREG is set to working register W0.

Words:                1

Cycles:                1<sup>(1)</sup>

**Note 1:** In dsPIC33E and PIC24E devices, the listed cycle count does not apply to read and read-modify-write operations on non-CPU Special Function Registers. For more details, see **Note 3** in [Section 3.2.1 "Multi-Cycle Instructions"](#).

# 16-bit MCU and DSC Programmer's Reference Manual

---

---

Example 1: RLNC.B 0x1233 ; Rotate Left (0x1233) (Byte mode)

Before Instruction		After Instruction	
Data 1232	E807	Data 1233	D107
SR	0000	SR	0008 (N = 1)

Example 2: RLNC 0x820, WREG ; Rotate Left (0x820) (Word mode)  
; Store result in WREG

Before Instruction		After Instruction	
WREG (W0)	5601	WREG (W0)	42DC
Data 0820	216E	Data 0820	216E
SR	0001 (C = 1)	SR	0000 (C = 0)

## RLNC

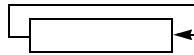
### Rotate Left Ws without Carry

Implemented in:	PIC24F	PIC24H	PIC24E	dsPIC30F	dsPIC33F	dsPIC33E
	X	X	X	X	X	X

Syntax: {label:} RLNC{.B} Ws, Wd  
 [Ws], [Wd]  
 [Ws++], [Wd++]  
 [Ws--], [Wd--]  
 [++Ws], [++Wd]  
 [--Ws], [--Wd]

Operands: Ws ∈ [W0 ... W15]  
 Wd ∈ [W0 ... W15]

Operation: For byte operation:  
 (Ws<6:0>) →Wd<7:1>  
 (Ws<7>) →Wd<0>  
For word operation:  
 (Ws<14:0>) →Wd<15:1>  
 (Ws<15>) →Wd<0>



Status Affected: N, Z

Encoding:	1101	0010	0Bqq	qddd	dppp	ssss
-----------	------	------	------	------	------	------

Description: Rotate the contents of the source register Ws one bit to the left and place the result in the destination register Wd. The Most Significant bit of Ws is stored in the Least Significant bit of Wd, and the Carry flag is not affected. Either register direct or indirect addressing may be used for Ws and Wd.

The 'B' bit selects byte or word operation ('0' for byte, '1' for word).  
 The 'q' bits select the destination Address mode.  
 The 'd' bits select the destination register.  
 The 'p' bits select the source Address mode.  
 The 's' bits select the source register.

**Note:** The extension .B in the instruction denotes a byte operation rather than a word operation. You may use a .W extension to denote a word operation, but it is not required.

Words: 1  
 Cycles: 1<sup>(1)</sup>

**Note 1:** In dsPIC33E and PIC24E devices, the listed cycle count does not apply to read and read-modify-write operations on non-CPU Special Function Registers. For more details, see **Note 3** in [Section 3.2.1 "Multi-Cycle Instructions"](#).

# 16-bit MCU and DSC Programmer's Reference Manual

---

Example 1: `RLNC.B W0, W3` ; Rotate Left (W0) (Byte mode)  
; Store the result in W3

Before		After	
Instruction		Instruction	
W0	9976	W0	9976
W3	5879	W3	58EC
SR	0001 (C = 1)	SR	0009 (N, C = 1)

Example 2: `RLNC [W2++], [W8]` ; Rotate Left [W2] (Word mode)  
; Post-increment W2  
; Store result in [W8]

Before		After	
Instruction		Instruction	
W2	2008	W2	200A
W8	094E	W8	094E
Data 094E	3689	Data 094E	8083
Data 2008	C041	Data 2008	C041
SR	0001 (C = 1)	SR	0009 (N, C = 1)

# Section 5. Instruction Descriptions

## RRC

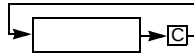
Rotate Right f through Carry

Implemented in:	PIC24F	PIC24H	PIC24E	dsPIC30F	dsPIC33F	dsPIC33E
	X	X	X	X	X	X

Syntax: {label:} RRC{.B} f {,WREG}

Operands:  $f \in [0 \dots 8191]$

Operation: For byte operation:  
 (C) →Dest<7>  
 (f<7:1>) →Dest<6:0>  
 (f<0>) →C  
For word operation:  
 (C) →Dest<15>  
 (f<15:1>) →Dest<14:0>  
 (f<0>) →C



Status Affected: N, Z, C

Encoding:	1101	0111	1Bdf	ffff	ffff	ffff
-----------	------	------	------	------	------	------

Description: Rotate the contents of the file register f one bit to the right through the Carry flag and place the result in the destination register. The Carry flag of the STATUS Register is shifted into the Most Significant bit of the destination, and it is then overwritten with the Least Significant bit of Ws.

The optional WREG operand determines the destination register. If WREG is specified, the result is stored in WREG. If WREG is not specified, the result is stored in the file register.

The 'B' bit selects byte or word operation ('0' for byte, '1' for word).  
 The 'D' bit selects the destination ('0' for WREG, '1' for file register).  
 The 'f' bits select the address of the file register.

**Note 1:** The extension .B in the instruction denotes a byte operation rather than a word operation. You may use a .W extension to denote a word operation, but it is not required.

**2:** The WREG is set to working register W0.

Words: 1

Cycles: 1(4)

**Note 1:** In dsPIC33E and PIC24E devices, the listed cycle count does not apply to read and read-modify-write operations on non-CPU Special Function Registers. For more details, see **Note 3** in [Section 3.2.1 "Multi-Cycle Instructions"](#).

Example 1: RRC.B 0x1233 ; Rotate Right w/ C (0x1233) (Byte mode)

	Before Instruction		After Instruction
Data 1232	E807	Data 1232	7407
SR	0000	SR	0000

# 16-bit MCU and DSC Programmer's Reference Manual

---

---

Example 2:    RRC 0x820, WREG ; Rotate Right w/ C (0x820) (Word mode)  
   ; Store result in WREG

Before		After	
Instruction		Instruction	
WREG (W0)	5601	WREG (W0)	90B7
Data 0820	216E	Data 0820	216E
SR	0001 (C = 1)	SR	0008 (N = 1)

# Section 5. Instruction Descriptions

## RRC

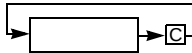
### Rotate Right Ws through Carry

Implemented in:	PIC24F	PIC24H	PIC24E	dsPIC30F	dsPIC33F	dsPIC33E
	X	X	X	X	X	X

Syntax: {label:} RRC{.B} Ws, Wd  
 [Ws], [Wd]  
 [Ws++], [Wd++]  
 [Ws--], [Wd--]  
 [++Ws], [++Wd]  
 [--Ws], [--Wd]

Operands: Ws ∈ [W0 ... W15]  
 Wd ∈ [W0 ... W15]

Operation: For byte operation:  
 (C) →Wd<7>  
 (Ws<7:1>) →Wd<6:0>  
 (Ws<0>) →C  
For word operation:  
 (C) →Wd<15>  
 (Ws<15:1>) →Wd<14:0>  
 (Ws<0>) →C



Status Affected: N, Z, C

Encoding:	1101	0011	1Bqq	qddd	dppp	ssss
-----------	------	------	------	------	------	------

Description: Rotate the contents of the source register Ws one bit to the right through the Carry flag and place the result in the destination register Wd. The Carry flag of the STATUS Register is shifted into the Most Significant bit of Wd, and it is then overwritten with the Least Significant bit of Ws. Either register direct or indirect addressing may be used for Ws and Wd.

The 'B' bit selects byte or word operation ('0' for word, '1' for byte).  
 The 'q' bits select the destination Address mode.  
 The 'd' bits select the destination register.  
 The 'p' bits select the source Address mode.  
 The 's' bits select the source register.

**Note:** The extension .B in the instruction denotes a byte operation rather than a word operation. You may use a .W extension to denote a word operation, but it is not required.

Words: 1  
 Cycles: 1<sup>(1)</sup>

**Note 1:** In dsPIC33E and PIC24E devices, the listed cycle count does not apply to read and read-modify-write operations on non-CPU Special Function Registers. For more details, see **Note 3** in [Section 3.2.1 "Multi-Cycle Instructions"](#).

# 16-bit MCU and DSC Programmer's Reference Manual

---

Example 1:    RRC.B W0, W3        ; Rotate Right w/ C (W0) (Byte mode)  
    ; Store the result in W3

Before Instruction		After Instruction	
W0	9976	W0	9976
W3	5879	W3	58BB
SR	0001 (C = 1)	SR	0008 (N = 1)

Example 2:    RRC [W2++], [W8]    ; Rotate Right w/ C [W2] (Word mode)  
    ; Post-increment W2  
    ; Store result in [W8]

Before Instruction		After Instruction	
W2	2008	W2	200A
W8	094E	W8	094E
Data 094E	3689	Data 094E	E020
Data 2008	C041	Data 2008	C041
SR	0001 (C = 1)	SR	0009 (N, C = 1)



## RRNC

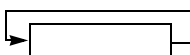
Rotate Right f without Carry

Implemented in:	PIC24F	PIC24H	PIC24E	dsPIC30F	dsPIC33F	dsPIC33E
	X	X	X	X	X	X

Syntax:            {label:}   RRNC{.B}   f                {,WREG}

Operands:           f ∈ [0 ... 8191]

Operation:           For byte operation:  
                           (f<7:1>) →Dest<6:0>  
                           (f<0>) →Dest<7>  
                           For word operation:  
                           (f<15:1>) →Dest<14:0>  
                           (f<0>) →Dest<15>



Status Affected:   N, Z

Encoding:	1101	0111	0BDf	ffff	ffff	ffff
-----------	------	------	------	------	------	------

Description:       Rotate the contents of the file register f one bit to the right and place the result in the destination register. The Least Significant bit of f is stored in the Most Significant bit of the destination, and the Carry flag is not affected.

The optional WREG operand determines the destination register. If WREG is specified, the result is stored in WREG. If WREG is not specified, the result is stored in the file register.

The 'B' bit selects byte or word operation ('0' for word, '1' for byte).  
 The 'D' bit selects the destination ('0' for WREG, '1' for file register).  
 The 'f' bits select the address of the file register.

**Note 1:** The extension .B in the instruction denotes a byte operation rather than a word operation. You may use a .W extension to denote a word operation, but it is not required.

**2:** The WREG is set to working register W0.

Words:             1

Cycles:            1<sup>(1)</sup>

**Note 1:** In dsPIC33E and PIC24E devices, the listed cycle count does not apply to read and read-modify-write operations on non-CPU Special Function Registers. For more details, see **Note 3** in [Section 3.2.1 "Multi-Cycle Instructions"](#).

# 16-bit MCU and DSC Programmer's Reference Manual

---

---

Example 1: RRNC.B 0x1233 ; Rotate Right (0x1233) (Byte mode)

Before		After	
Instruction		Instruction	
Data 1232	E807	Data 1232	7407
SR	0000	SR	0000

Example 2: RRNC 0x820, WREG ; Rotate Right (0x820) (Word mode)  
; Store result in WREG

Before		After	
Instruction		Instruction	
WREG (W0)	5601	WREG (W0)	10B7
Data 0820	216E	Data 0820	216E
SR	0001 (C = 1)	SR	0001 (C = 1)

# Section 5. Instruction Descriptions

## RRNC

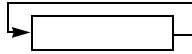
Rotate Right Ws without Carry

Implemented in:	PIC24F	PIC24H	PIC24E	dsPIC30F	dsPIC33F	dsPIC33E
	X	X	X	X	X	X

Syntax: {label:} RRNC{.B} Ws, Wd  
 [Ws], [Wd]  
 [Ws++], [Wd++]  
 [Ws--], [Wd--]  
 [++Ws], [++Wd]  
 [--Ws], [--Wd]

Operands: Ws ∈ [W0 ... W15]  
 Wd ∈ [W0 ... W15]

Operation: For byte operation:  
 (Ws<7:1>) →Wd<6:0>  
 (Ws<0>) →Wd<7>  
For word operation:  
 (Ws<15:1>) →Wd<14:0>  
 (Ws<0>) →Wd<15>



Status Affected: N, Z

Encoding:	1101	0011	0Bqq	qddd	dppp	ssss
-----------	------	------	------	------	------	------

Description: Rotate the contents of the source register Ws one bit to the right and place the result in the destination register Wd. The Least Significant bit of Ws is stored in the Most Significant bit of Wd, and the Carry flag is not affected. Either register direct or indirect addressing may be used for Ws and Wd.

The 'B' bit selects byte or word operation ('0' for word, '1' for byte).

The 'q' bits select the destination Address mode.

The 'd' bits select the destination register.

The 'p' bits select the source Address mode.

The 's' bits select the source register.

**Note:** The extension .B in the instruction denotes a byte operation rather than a word operation. You may use a .W extension to denote a word operation, but it is not required.

Words: 1

Cycles: 1(1)

**Note 1:** In dsPIC33E and PIC24E devices, the listed cycle count does not apply to read and read-modify-write operations on non-CPU Special Function Registers. For more details, see **Note 3** in [Section 3.2.1 "Multi-Cycle Instructions"](#).

# 16-bit MCU and DSC Programmer's Reference Manual

---

Example 1:    RRNC.B W0, W3        ; Rotate Right (W0) (Byte mode)  
    ; Store the result in W3

Before		After	
Instruction		Instruction	
W0	9976	W0	9976
W3	5879	W3	583B
SR	0001 (C = 1)	SR	0001 (C = 1)

Example 2:    RRNC [W2++], [W8] ; Rotate Right [W2] (Word mode)  
    ; Post-increment W2  
    ; Store result in [W8]

Before		After	
Instruction		Instruction	
W2	2008	W2	200A
W8	094E	W8	094E
Data 094E	3689	Data 094E	E020
Data 2008	C041	Data 2008	C041
SR	0000	SR	0008 (N = 1)



# 16-bit MCU and DSC Programmer's Reference Manual

---

---

Example 2:    SAC B, #-4, [W5++]  
                  ; Left shift ACCB by 4  
                  ; Store result to [W5], Post-increment W5  
                  ; CORCON = 0x0010 (SATDW = 1)

Before Instruction		After Instruction	
W5	2000	W5	2002
ACCB	FF C891 8F4C	ACCB	FF C891 1F4C
Data 2000	5BBE	Data 2000	8000
CORCON	0010	CORCON	0010
SR	0000	SR	0000

# Section 5. Instruction Descriptions

## SAC.R

### Store Rounded Accumulator

Implemented in:	PIC24F	PIC24H	PIC24E	dsPIC30F	dsPIC33F	dsPIC33E
				X	X	X

Syntax:            {label;}    SAC.R    Acc,        {#Slit4,}    Wd  
  [Wd]  
  [Wd++]  
  [Wd--]  
  [--Wd]  
  [++Wd]  
  [Wd + Wb]

Operands:            Acc  $\in$  [A,B]  
  Slit4  $\in$  [-8 ... +7]  
  Wb  $\in$  [W0 ... W15]  
  Wd  $\in$  [W0 ... W15]

Operation:           Shift<sub>Slit4</sub>(Acc) (optional)  
  Round(Acc)  
  (Acc[31:16])  $\rightarrow$ Wd

Status Affected:    None

Encoding:	1100	1101	Awww	wrrr	rhhh	dddd
-----------	------	------	------	------	------	------

Description:           Perform an optional, signed 4-bit shift of the specified accumulator, then store the rounded contents of ACCxH (Acc[31:16]) to Wd. The shift range is -8:7, where a negative operand indicates an arithmetic left shift and a positive operand indicates an arithmetic right shift. The Rounding mode (Conventional or Convergent) is set by the RND bit, CORCON<1>. Either register direct or indirect addressing may be used for Wd.

The 'A' bit specifies the source accumulator.  
The 'w' bits specify the offset register Wb.  
The 'r' bits encode the optional accumulator pre-shift.  
The 'h' bits select the destination Address mode.  
The 'd' bits specify the destination register Wd.

- Note 1:** This instruction does not modify the contents of the Acc.  
**2:** This instruction stores the rounded contents of Acc. The instruction SAC may be used to store the truncated accumulator contents.  
**3:** If Data Write saturation is enabled (SATDW, CORCON<5>, = 1), the value stored to Wd is subject to saturation after the optional shift is performed.

Words:               1  
Cycles:               1

# 16-bit MCU and DSC Programmer's Reference Manual

---

Example 1: SAC.R A, #4, W5  
; Right shift ACCA by 4  
; Store rounded result to W5  
; CORCON = 0x0010 (SATDW = 1)

Before Instruction		After Instruction	
W5	B900	W5	0121
ACCA	00 120F FF00	ACCA	00 120F FF00
CORCON	0010	CORCON	0010
SR	0000	SR	0000

Example 2: SAC.R B, #-4, [W5++]  
; Left shift ACCB by 4  
; Store rounded result to [W5], Post-increment W5  
; CORCON = 0x0010 (SATDW = 1)

Before Instruction		After Instruction	
W5	2000	W5	2002
ACCB	FF F891 8F4C	ACCB	FF F891 8F4C
Data 2000	5BBE	Data 2000	8919
CORCON	0010	CORCON	0010
SR	0000	SR	0000



# Section 5. Instruction Descriptions

## SE

### Sign-Extend Ws

Implemented in:	PIC24F	PIC24H	PIC24E	dsPIC30F	dsPIC33F	dsPIC33E
	X	X	X	X	X	X

Syntax: {label:} SE Ws, Wnd  
 [Ws],  
 [Ws++],  
 [Ws--],  
 [++Ws],  
 [--Ws],

Operands: Ws ∈ [W0 ... W15]  
 Wnd ∈ [W0 ... W15]

Operation: Ws<7:0> →Wnd<7:0>  
 If (Ws<7> = 1):  
 0xFF →Wnd<15:8>  
 Else:  
 0 →Wnd<15:8>

Status Affected: N, Z, C

Encoding:	1111	1011	0000	0ddd	dppp	ssss
-----------	------	------	------	------	------	------

Description: Sign-extend the byte in Ws and store the 16-bit result in Wnd. Either register direct or indirect addressing may be used for Ws, and register direct addressing must be used for Wnd. The C flag is set to the complement of the N flag.

The 'd' bits select the destination register.  
 The 'p' bits select the source Address mode.  
 The 's' bits select the source register.

**Note 1:** This operation converts a byte to a word, and it uses no .B or .W extension.

**2:** The source Ws is addressed as a byte operand, so any address modification is by '1'.

Words: 1

Cycles: 1(4)

**Note 1:** In dsPIC33E and PIC24E devices, the listed cycle count does not apply to read and read-modify-write operations on non-CPU Special Function Registers. For more details, see **Note 3** in [Section 3.2.1 "Multi-Cycle Instructions"](#).

**Example 1:** SE W3, W4 ; Sign-extend W3 and store to W4

	Before Instruction	After Instruction
W3	7839	7839
W4	1005	0039
SR	0000	0001 (C = 1)

# 16-bit MCU and DSC Programmer's Reference Manual

---

Example 2: SE [w2++], w12 ; Sign-extend [w2] and store to w12  
; Post-increment w2

Before		After	
Instruction		Instruction	
W2	0900	W2	0901
W12	1002	W12	FF8F
Data 0900	008F	Data 0900	008F
SR	0000	SR	0008 (N = 1)

## SETM

Set f or WREG

Implemented in:	PIC24F	PIC24H	PIC24E	dsPIC30F	dsPIC33F	dsPIC33E
	X	X	X	X	X	X

Syntax:            {label:}    SETM{.B} f  
WREG

Operands:             $f \in [0 \dots 8191]$

Operation:            For byte operation:  
0xFF → destination designated by D  
For word operation:  
0xFFFF → destination designated by D

Status Affected:    None

Encoding:	1110	1111	1BDf	ffff	ffff	ffff
-----------	------	------	------	------	------	------

Description:            All the bits of the specified register are set to '1'. If WREG is specified, the bits of WREG are set. Otherwise, the bits of the specified file register are set.

The 'B' bit selects byte or word operation ('0' for word, '1' for byte).  
 The 'D' bit selects the destination ('0' for WREG, '1' for file register).  
 The 'f' bits select the address of the file register.

**Note 1:** The extension .B in the instruction denotes a byte operation rather than a word operation. You may use a .W extension to denote a word operation, but it is not required.

**2:** The WREG is set to working register W0.

Words:                1

Cycles:               1

Example 1:    SETM.B    0x891    ; Set 0x891 (Byte mode)

Before Instruction	After Instruction		
Data 0890 <table border="1" style="display: inline-table; vertical-align: middle;"><tr><td style="width: 40px; text-align: center;">2739</td></tr></table>	2739	Data 0890 <table border="1" style="display: inline-table; vertical-align: middle;"><tr><td style="width: 40px; text-align: center;">FF39</td></tr></table>	FF39
2739			
FF39			
SR <table border="1" style="display: inline-table; vertical-align: middle;"><tr><td style="width: 40px; text-align: center;">0000</td></tr></table>	0000	SR <table border="1" style="display: inline-table; vertical-align: middle;"><tr><td style="width: 40px; text-align: center;">0000</td></tr></table>	0000
0000			
0000			

Example 2:    SETM        WREG    ; Set WREG (Word mode)

Before Instruction	After Instruction		
WREG (W0) <table border="1" style="display: inline-table; vertical-align: middle;"><tr><td style="width: 40px; text-align: center;">0900</td></tr></table>	0900	WREG (W0) <table border="1" style="display: inline-table; vertical-align: middle;"><tr><td style="width: 40px; text-align: center;">FFFF</td></tr></table>	FFFF
0900			
FFFF			
SR <table border="1" style="display: inline-table; vertical-align: middle;"><tr><td style="width: 40px; text-align: center;">0000</td></tr></table>	0000	SR <table border="1" style="display: inline-table; vertical-align: middle;"><tr><td style="width: 40px; text-align: center;">0000</td></tr></table>	0000
0000			
0000			

## SETM

Set Ws

Implemented in:	PIC24F	PIC24H	PIC24E	dsPIC30F	dsPIC33F	dsPIC33E
	X	X	X	X	X	X

Syntax:            {label:}   SETM{.B}   Wd  
   [Wd]  
   [Wd++]  
   [Wd--]  
   [++Wd]  
   [--Wd]

Operands:           Wd ∈ [W0 ... W15]

Operation:           For byte operation:  
   0xFF →Wd for byte operation  
   For word operation:  
   0xFFFF →Wd for word operation

Status Affected:   None

Encoding:	1110	1011	1Bqq	qddd	d000	0000
-----------	------	------	------	------	------	------

Description:        All the bits of the specified register are set to '1'. Either register direct or indirect addressing may be used for Wd.

The 'B' bits selects byte or word operation ('0' for word, '1' for byte).

The 'q' bits select the destination Address mode.

The 'd' bits select the destination register.

**Note:**   The extension .B in the instruction denotes a byte operation rather than a word operation. You may use a .W extension to denote a word operation, but it is not required.

Words:             1

Cycles:            1

Example 1:   SETM.B   W13       ; Set W13 (Byte mode)

	Before	After
	Instruction	Instruction
W13	2739	27FF
SR	0000	0000

Example 2:   SETM       [--W6]   ; Pre-decrement W6 (Word mode)  
   ; Set [W6]

	Before	After
	Instruction	Instruction
W6	1250	124E
Data 124E	3CD9	FFFF
SR	0000	0000

# Section 5. Instruction Descriptions

## SFTAC

### Arithmetic Shift Accumulator by Slit6

Implemented in:	PIC24F	PIC24H	PIC24E	dsPIC30F	dsPIC33F	dsPIC33E
				X	X	X

Syntax: {label:} SFTAC Acc, #Slit6

Operands: Acc ∈ [A,B]  
Slit6 ∈ [-16 ... 16]

Operation: Shift<sub>k</sub>(Acc) → Acc

Status Affected: OA, OB, OAB, SA, SB, SAB

Encoding:	1100	1000	A000	0000	01kk	kkkk
-----------	------	------	------	------	------	------

Description: Arithmetic shift the 40-bit contents of the specified accumulator by the signed, 6-bit literal and store the result back into the accumulator. The shift range is -16:16, where a negative operand indicates a left shift and a positive operand indicates a right shift. Any bits which are shifted out of the accumulator are lost.

The 'A' bit selects the accumulator for the result.  
The 'k' bits determine the number of bits to be shifted.

**Note 1:** If saturation is enabled for the target accumulator (SATA, CORCON<7> or SATB, CORCON<6>), the value stored to the accumulator is subject to saturation.

**2:** If the shift amount is greater than 16 or less than -16, no modification will be made to the accumulator, and an arithmetic trap will occur.

Words: 1

Cycles: 1

Example 1: SFTAC A, #12  
; Arithmetic right shift ACCA by 12  
; Store result to ACCA  
; CORCON = 0x0080 (SATA = 1)

	Before Instruction		After Instruction
ACCA	00 120F FF00	ACCA	00 0001 20FF
CORCON	0080	CORCON	0080
SR	0000	SR	0000

Example 2: SFTAC B, #-10  
; Arithmetic left shift ACCB by 10  
; Store result to ACCB  
; CORCON = 0x0040 (SATB = 1)

	Before Instruction		After Instruction
ACCB	FF FFF1 8F4C	ACCB	FF C63D 3000
CORCON	0040	CORCON	0040
SR	0000	SR	0000

## SFTAC

### Arithmetic Shift Accumulator by Wb

Implemented in:	PIC24F	PIC24H	PIC24E	dsPIC30F	dsPIC33F	dsPIC33E
				X	X	X

Syntax: {label:} SFTAC Acc, Wb

Operands: Acc ∈ [A,B]  
Wb ∈ [W0 ... W15]

Operation: Shift<sub>(Wb)</sub>(Acc) → Acc

Status Affected: OA, OB, OAB, SA, SB, SAB

Encoding:	1100	1000	A000	0000	0000	ssss
-----------	------	------	------	------	------	------

Description: Arithmetic shift the 40-bit contents of the specified accumulator and store the result back into the accumulator. The Least Significant 6 bits of Wb are used to specify the shift amount. The shift range is -16:16, where a negative value indicates a left shift and a positive value indicates a right shift. Any bits which are shifted out of the accumulator are lost.

The 'A' bit selects the accumulator for the source/destination.

The 's' bits select the address of the shift count register.

**Note 1:** If saturation is enabled for the target accumulator (SATA, CORCON<7> or SATB, CORCON<6>), the value stored to the accumulator is subject to saturation.

**2:** If the shift amount is greater than 16 or less than -16, no modification will be made to the accumulator, and an arithmetic trap will occur.

Words: 1

Cycles: 1

Example 1: SFTAC A, W0  
; Arithmetic shift ACCA by (W0)  
; Store result to ACCA  
; CORCON = 0x0000 (saturation disabled)

	Before Instruction	After Instruction
W0	FFFC	FFFC
ACCA	00 320F AB09	03 20FA B090
CORCON	0000	0000
SR	0000	8800 (OA, OAB = 1)

Example 2: SFTAC B, W12  
; Arithmetic shift ACCB by (W12)  
; Store result to ACCB  
; CORCON = 0x0040 (SATB = 1)

	Before Instruction	After Instruction
W12	000F	000F
ACCB	FF FFF1 8F4C	FF FFFF FFE3
CORCON	0040	0040
SR	0000	0000

# Section 5. Instruction Descriptions

## SL

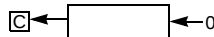
### Shift Left f

Implemented in:	PIC24F	PIC24H	PIC24E	dsPIC30F	dsPIC33F	dsPIC33E
	X	X	X	X	X	X

Syntax:            {label:}    SL{.B}    f            {,WREG}

Operands:         $f \in [0 \dots 8191]$

Operation:        For byte operation:  
                      $(f<7>) \rightarrow (C)$   
                      $(f<6:0>) \rightarrow \text{Dest}<7:1>$   
                      $0 \rightarrow \text{Dest}<0>$   
For word operation:  
                      $(f<15>) \rightarrow (C)$   
                      $(f<14:0>) \rightarrow \text{Dest}<15:1>$   
                      $0 \rightarrow \text{Dest}<0>$



Status Affected:    N, Z, C

Encoding:	1101	0100	0Bdf	ffff	ffff	ffff
-----------	------	------	------	------	------	------

Description:        Shift the contents of the file register one bit to the left and place the result in the destination register. The Most Significant bit of the file register is shifted into the Carry bit of the STATUS register, and zero is shifted into the Least Significant bit of the destination register.

The optional WREG operand determines the destination register. If WREG is specified, the result is stored in WREG. If WREG is not specified, the result is stored in the file register.

The 'B' bit selects byte or word operation ('0' for word, '1' for byte).  
 The 'D' bit selects the destination ('0' for WREG, '1' for file register).  
 The 'f' bits select the address of the file register.

- Note 1:** The extension .B in the instruction denotes a byte operation rather than a word operation. You may use a .W extension to denote a word operation, but it is not required.
- 2:** The WREG is set to working register W0.

Words:             1

Cycles:            1(1)

**Note 1:** In dsPIC33E and PIC24E devices, the listed cycle count does not apply to read and read-modify-write operations on non-CPU Special Function Registers. For more details, see **Note 3** in [Section 3.2.1 "Multi-Cycle Instructions"](#).

Example 1: SL.B 0x909 ; Shift left (0x909) (Byte mode)

<p>Before Instruction</p> <table border="1" style="margin-left: auto; margin-right: auto;"> <tr> <td style="padding: 2px;">Data 0908</td> <td style="padding: 2px; text-align: center;">9439</td> </tr> <tr> <td style="padding: 2px;">SR</td> <td style="padding: 2px; text-align: center;">0000</td> </tr> </table>	Data 0908	9439	SR	0000	<p>After Instruction</p> <table border="1" style="margin-left: auto; margin-right: auto;"> <tr> <td style="padding: 2px;">Data 0908</td> <td style="padding: 2px; text-align: center;">0839</td> </tr> <tr> <td style="padding: 2px;">SR</td> <td style="padding: 2px; text-align: center;">0001 (C = 1)</td> </tr> </table>	Data 0908	0839	SR	0001 (C = 1)
Data 0908	9439								
SR	0000								
Data 0908	0839								
SR	0001 (C = 1)								

# 16-bit MCU and DSC Programmer's Reference Manual

---

---

Example 2: SL 0x1650, WREG ; Shift left (0x1650) (word mode)  
; Store result in WREG

Before		After	
	Instruction		Instruction
WREG (W0)	0900	WREG (W0)	80CA
Data 1650	4065	Data 1650	4065
SR	0000	SR	0008 (N = 1)



# Section 5. Instruction Descriptions

## SL

### Shift Left Ws

Implemented in:	PIC24F	PIC24H	PIC24E	dsPIC30F	dsPIC33F	dsPIC33E
	X	X	X	X	X	X

Syntax: {label:} SL{.B} Ws, Wd  
 [Ws], [Wd]  
 [Ws++], [Wd++]  
 [Ws--], [Wd--]  
 [++Ws], [++Wd]  
 [--Ws], [--Wd]

Operands: Ws ∈ [W0 ... W15]

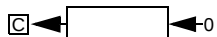
Wd ∈ [W0 ... W15]

Operation: For byte operation:

(Ws<7>) →C  
 (Ws<6:0>) →Wd<7:1>  
 0 →Wd<0>

For word operation:

(Ws<15>) →C  
 (Ws<14:0>) →Wd<15:1>  
 0 →Wd<0>



Status Affected: N, Z, C

Encoding:	1101	0000	0Bqq	qddd	dppp	ssss
-----------	------	------	------	------	------	------

Description: Shift the contents of the source register Ws one bit to the left and place the result in the destination register Wd. The Most Significant bit of Ws is shifted into the Carry bit of the STATUS register, and '0' is shifted into the Least Significant bit of Wd. Either register direct or indirect addressing may be used for Ws and Wd.

The 'B' bit selects byte or word operation ('0' for word, '1' for byte).

The 'q' bits select the destination Address mode.

The 'd' bits select the destination register.

The 'p' bits select the source Address mode.

The 's' bits select the source register.

**Note:** The extension .B in the instruction denotes a byte operation rather than a word operation. You may use a .W extension to denote a word operation, but it is not required.

Words: 1

Cycles: 1(1)

**Note 1:** In dsPIC33E and PIC24E devices, the listed cycle count does not apply to read and read-modify-write operations on non-CPU Special Function Registers. For more details, see **Note 3** in [Section 3.2.1 "Multi-Cycle Instructions"](#).

# 16-bit MCU and DSC Programmer's Reference Manual

---

---

Example 1: SL.B W3, W4 ; Shift left W3 (Byte mode)  
; Store result to W4

Before		After	
Instruction		Instruction	
W3	78A9	W3	78A9
W4	1005	W4	1052
SR	0000	SR	0001 (C = 1)

Example 2: SL [W2++], [W12] ; Shift left [W2] (Word mode)  
; Store result to [W12]  
; Post-increment W2

Before		After	
Instruction		Instruction	
W2	0900	W2	0902
W12	1002	W12	1002
Data 0900	800F	Data 0900	800F
Data 1002	6722	Data 1002	001E
SR	0000	SR	0001 (C = 1)

# Section 5. Instruction Descriptions

## SL

### Shift Left by Short Literal

Implemented in:	PIC24F	PIC24H	PIC24E	dsPIC30F	dsPIC33F	dsPIC33E
	X	X	X	X	X	X

Syntax: {label:} SL Wb, #lit4, Wnd

Operands: Wb ∈ [W0 ... W15]  
lit4 ∈ [0...15]  
Wnd ∈ [W0 ... W15]

Operation: lit4<3:0> → Shift\_Val  
Wnd<15:Shift\_Val> = Wb<15-Shift\_Val:0>  
Wd<Shift\_Val - 1:0> = 0

Status Affected: N, Z

Encoding:	1101	1101	0www	wddd	d100	kkkk
-----------	------	------	------	------	------	------

Description: Shift left the contents of the source register Wb by the 4-bit unsigned literal and store the result in the destination register Wnd. Any bits shifted out of the source register are lost. Direct addressing must be used for Wb and Wnd.

The 'w' bits select the address of the base register.

The 'd' bits select the destination register.

The 'k' bits provide the literal operand, a five-bit integer number.

**Note:** This instruction operates in Word mode only.

Words: 1

Cycles: 1

Example 1: SL W2, #4, W2 ; Shift left W2 by 4  
; Store result to W2

	Before Instruction	After Instruction		
W2	<table border="1"><tr><td>78A9</td></tr></table>	78A9	<table border="1"><tr><td>8A90</td></tr></table>	8A90
78A9				
8A90				
SR	<table border="1"><tr><td>0000</td></tr></table>	0000	<table border="1"><tr><td>0008</td></tr></table> (N = 1)	0008
0000				
0008				

Example 2: SL W3, #12, W8 ; Shift left W3 by 12  
; Store result to W8

	Before Instruction	After Instruction		
W3	<table border="1"><tr><td>0912</td></tr></table>	0912	<table border="1"><tr><td>0912</td></tr></table>	0912
0912				
0912				
W8	<table border="1"><tr><td>1002</td></tr></table>	1002	<table border="1"><tr><td>2000</td></tr></table>	2000
1002				
2000				
SR	<table border="1"><tr><td>0000</td></tr></table>	0000	<table border="1"><tr><td>0000</td></tr></table>	0000
0000				
0000				

## SL

### Shift Left by Wns

Implemented in:	PIC24F	PIC24H	PIC24E	dsPIC30F	dsPIC33F	dsPIC33E
	X	X	X	X	X	X

Syntax: {label:} SL Wb, Wns, Wnd

Operands: Wb ∈ [W0 ... W15]  
 Wns ∈ [W0 ... W15]  
 Wnd ∈ [W0 ... W15]

Operation: Wns<4:0> → Shift\_Val  
 Wnd<15:Shift\_Val> = Wb<15 – Shift\_Val:0>  
 Wd<Shift\_Val – 1:0> = 0

Status Affected: N, Z

Encoding:	1101	1101	0www	wddd	d000	ssss
-----------	------	------	------	------	------	------

Description: Shift left the contents of the source register Wb by the 5 Least Significant bits of Wns (only up to 15 positions) and store the result in the destination register Wnd. Any bits shifted out of the source register are lost. Register direct addressing must be used for Wb, Wns and Wnd.

The 'w' bits select the address of the base register.

The 'd' bits select the destination register.

The 's' bits select the source register.

**Note 1:** This instruction operates in Word mode only.

**2:** If Wns is greater than 15, Wnd will be loaded with 0x0.

Words: 1

Cycles: 1

Example 1: SL W0, W1, W2 ; Shift left W0 by W1<0:4>  
 ; Store result to W2

	Before Instruction		After Instruction
W0	09A4	W0	09A4
W1	8903	W1	8903
W2	78A9	W2	4D20
SR	0000	SR	0000

Example 2: SL W4, W5, W6 ; Shift left W4 by W5<0:4>  
 ; Store result to W6

	Before Instruction		After Instruction
W4	A409	W4	A409
W5	FF01	W5	FF01
W6	0883	W6	4812
SR	0000	SR	0000

# Section 5. Instruction Descriptions

## SUB

Subtract WREG from f

Implemented in:	PIC24F	PIC24H	PIC24E	dsPIC30F	dsPIC33F	dsPIC33E
	X	X	X	X	X	X

Syntax: {label:} SUB{.B} f {,WREG}

Operands:  $f \in [0 \dots 8191]$

Operation:  $(f) - (WREG) \rightarrow$  destination designated by D

Status Affected: DC, N, OV, Z, C

Encoding:	1011	0101	0Bdf	ffff	ffff	ffff
-----------	------	------	------	------	------	------

Description: Subtract the contents of the default working register WREG from the contents of the specified file register, and place the result in the destination register. The optional WREG operand determines the destination register. If WREG is specified, the result is stored in WREG. If WREG is not specified, the result is stored in the file register.

The 'B' bit selects byte or word operation ('0' for word, '1' for byte).

The 'D' bit selects the destination ('0' for WREG, '1' for file register).

The 'f' bits select the address of the file register.

**Note 1:** The extension .B in the instruction denotes a byte operation rather than a word operation. You may use a .W extension to denote a word operation, but it is not required.

**2:** The WREG is set to working register W0.

Words: 1

Cycles: 1(1)

**Note 1:** In dsPIC33E and PIC24E devices, the listed cycle count does not apply to read and read-modify-write operations on non-CPU Special Function Registers. For more details, see **Note 3** in [Section 3.2.1 "Multi-Cycle Instructions"](#).

**Example 1:** SUB.B 0x1FFF ; Sub. WREG from (0x1FFF) (Byte mode)  
; Store result to 0x1FFF

	Before Instruction	After Instruction
WREG (W0)	7804	7804
Data 1FFE	9439	9039
SR	0000	0001 (C = 1)

**Example 2:** SUB 0xA04, WREG ; Sub. WREG from (0xA04) (Word mode)  
; Store result to WREG

	Before Instruction	After Instruction
WREG (W0)	6234	E2EF
Data 0A04	4523	4523
SR	0000	0008 (N = 1)

## SUB

### Subtract Literal from Wn

Implemented in:	PIC24F	PIC24H	PIC24E	dsPIC30F	dsPIC33F	dsPIC33E
	X	X	X	X	X	X

Syntax:                   {label:}    SUB{.B}    #lit10,       Wn

Operands:               lit10 ∈ [0 ... 255] for byte operation  
                          lit10 ∈ [0 ... 1023] for word operation  
                          Wn ∈ [W0 ... W15]

Operation:               (Wn) – lit10 →Wn

Status Affected:        DC, N, OV, Z, C

Encoding:	1011	0001	0Bkk	kkkk	kkkk	dddd
-----------	------	------	------	------	------	------

Description:             Subtract the 10-bit unsigned literal operand from the contents of the working register Wn, and store the result back in the working register Wn. Register direct addressing must be used for Wn.

The 'B' bit selects byte or word operation.

The 'k' bits specify the literal operand.

The 'd' bits select the address of the working register.

**Note 1:** The extension .B in the instruction denotes a byte operation rather than a word operation. You may use a .W extension to denote a word operation, but it is not required.

**2:** For byte operations, the literal must be specified as an unsigned value [0:255]. See [Section 4.6 "Using 10-bit Literal Operands"](#) for information on using 10-bit literal operands in Byte mode.

Words:                   1

Cycles:                  1

**Example 1:**   SUB.B   #0x23, W0           ; Sub. 0x23 from W0 (Byte mode)  
   ; Store result to W0

	Before	After		
Instruction		Instruction		
W0	<table border="1"><tr><td>7804</td></tr></table>	7804	<table border="1"><tr><td>78E1</td></tr></table>	78E1
7804				
78E1				
SR	<table border="1"><tr><td>0000</td></tr></table>	0000	<table border="1"><tr><td>0008</td></tr></table> (N = 1)	0008
0000				
0008				

**Example 2:**   SUB       #0x108, W4        ; Sub. 0x108 from W4 (Word mode)  
   ; Store result to W4

	Before	After		
Instruction		Instruction		
W4	<table border="1"><tr><td>6234</td></tr></table>	6234	<table border="1"><tr><td>612C</td></tr></table>	612C
6234				
612C				
SR	<table border="1"><tr><td>0000</td></tr></table>	0000	<table border="1"><tr><td>0001</td></tr></table> (C = 1)	0001
0000				
0001				

# Section 5. Instruction Descriptions

## SUB

Subtract Short Literal from Wb

Implemented in:	PIC24F	PIC24H	PIC24E	dsPIC30F	dsPIC33F	dsPIC33E
	X	X	X	X	X	X

Syntax: {label:} SUB{.B} Wb, #lit5, Wd  
[Wd]  
[Wd++]  
[Wd--]  
[++Wd]  
[--Wd]

Operands: Wb ∈ [W0 ... W15]  
lit5 ∈ [0 ... 31]  
Wd ∈ [W0 ... W15]

Operation: (Wb) – lit5 →Wd

Status Affected: DC, N, OV, Z, C

Encoding:	0101	0www	wBqq	qddd	d11k	kkkk
-----------	------	------	------	------	------	------

Description: Subtract the 5-bit unsigned literal operand from the contents of the base register Wb, and place the result in the destination register Wd. Register direct addressing must be used for Wb. Register direct or indirect addressing must be used for Wd.

The 'w' bits select the address of the base register.

The 'B' bit selects byte or word operation ('0' for word, '1' for byte).

The 'q' bits select the destination Address mode.

The 'd' bits select the destination register.

The 'k' bits provide the literal operand, a five-bit integer number.

**Note:** The extension .B in the instruction denotes a byte operation rather than a word operation. You may use a .W extension to denote a word operation, but it is not required.

Words: 1

Cycles: 1

Example 1: SUB.B W4, #0x10, W5 ; Sub. 0x10 from W4 (Byte mode)  
; Store result to W5

	Before Instruction	After Instruction
W4	1782	1782
W5	7804	7872
SR	0000	0005 (OV, C = 1)

Example 2: SUB W0, #0x8, [W2++] ; Sub. 0x8 from W0 (Word mode)  
; Store result to [W2]  
; Post-increment W2

	Before Instruction	After Instruction
W0	F230	F230
W2	2004	2006
Data 2004	A557	F228
SR	0000	0009 (N, C = 1)

# 16-bit MCU and DSC Programmer's Reference Manual

## SUB

Subtract Ws from Wb

Implemented in:	PIC24F	PIC24H	PIC24E	dsPIC30F	dsPIC33F	dsPIC33E
	X	X	X	X	X	X

Syntax:            {label:}   SUB{.B}   Wb,       Ws,       Wd  
    [Ws],       [Wd]  
    [Ws++],     [Wd++]  
    [Ws--],     [Wd--]  
    [++Ws],     [++Wd]  
    [--Ws],     [--Wd]

Operands:        Wb ∈ [W0 ... W15]  
   Ws ∈ [W0 ... W15]  
   Wd ∈ [W0 ... W15]

Operation:       (Wb) – (Ws) → Wd

Status Affected:   DC, N, OV, Z, C

Encoding:	0101	0www	wBqq	qddd	dppp	ssss
-----------	------	------	------	------	------	------

Description:       Subtract the contents of the source register Ws from the contents of the base register Wb and place the result in the destination register Wd. Register direct addressing must be used for Wb. Either register direct or indirect addressing may be used for Ws and Wd.

The 'w' bits select the address of the base register.  
 The 'B' bit selects byte or word operation ('0' for word, '1' for byte).  
 The 'q' bits select the destination Address mode.  
 The 'd' bits select the destination register.  
 The 'p' bits select the source Address mode.  
 The 's' bits select the source register.

**Note:**   The extension .B in the instruction denotes a byte operation rather than a word operation. You may use a .W extension to denote a word operation, but it is not required.

Words:            1  
 Cycles:           1(1)

**Note 1:**   In dsPIC33E and PIC24E devices, the listed cycle count does not apply to read and read-modify-write operations on non-CPU Special Function Registers. For more details, see **Note 3** in **Section 3.2.1 "Multi-Cycle Instructions"**.

Example 1:   SUB.B W0, W1, W0 ; Sub. W1 from W0 (Byte mode)  
   ; Store result to W0

	Before		After	
	Instruction		Instruction	
W0	1732		17EE	(DC, N = 1)
W1	7844		7844	
SR	0000		0108	



## Section 5. Instruction Descriptions

Example 2: SUB W7, [W8++], [W9++] ; Sub. [W8] from W7 (Word mode)  
; Store result to [W9]  
; Post-increment W8  
; Post-increment W9

Before Instruction		After Instruction	
W7	2450	W7	2450
W8	1808	W8	180A
W9	2020	W9	2022
Data 1808	92E4	Data 1808	92E4
Data 2020	A557	Data 2020	916C
SR	0000	SR	010C (DC, N, OV = 1)

## SUB Subtract Accumulators

Implemented in:	PIC24F	PIC24H	PIC24E	dsPIC30F	dsPIC33F	dsPIC33E
				X	X	X

Syntax:            {label:}    SUB            Acc

Operands:        Acc ∈ [A,B]

Operation:        If (Acc = A):  
                     ACCA – ACCB →ACCA  
                     Else:  
                     ACCB – ACCA →ACCB

Status Affected: OA, OB, OAB, SA, SB, SAB

Encoding:	1100	1011	A011	0000	0000	0000
-----------	------	------	------	------	------	------

Description:       Subtract the contents of the unspecified accumulator from the contents of Acc, and store the result back into Acc. This instruction performs a 40-bit subtraction.

The 'A' bit specifies the destination accumulator.

Words:            1

Cycles:           1

Example 1:      SUB A            ; Subtract ACCB from ACCA  
    ; Store the result to ACCA  
    ; CORCON = 0x0000 (no saturation)

	Before Instruction		After Instruction	
ACCA	76 120F 098A		52 1EFC 4D73	
ACCB	23 F312 BC17		23 F312 BC17	
CORCON	0000		0000	
SR	0000		1100	(OA, OB = 1)

Example 2:      SUB B            ; Subtract ACCA from ACCB  
    ; Store the result to ACCB  
    ; CORCON = 0x0040 (SATB = 1)

	Before Instruction		After Instruction	
ACCA	FF 9022 2EE1		FF 9022 2EE1	
ACCB	00 2456 8F4C		00 7FFF FFFF	
CORCON	0040		0040	
SR	0000		1400	(SB, SAB = 1)

## SUBB

Subtract WREG and Carry bit from f

Implemented in:	PIC24F	PIC24H	PIC24E	dsPIC30F	dsPIC33F	dsPIC33E
	X	X	X	X	X	X

Syntax:                    {label:}      SUBB{.B} f                    {,WREG}

Operands:                 $f \in [0 \dots 8191]$

Operation:                 $(f) - (WREG) - (\overline{C}) \rightarrow \text{destination designated by D}$

Status Affected:        DC, N, OV, Z, C

Encoding:	1011	0101	1BDf	ffff	ffff	ffff
-----------	------	------	------	------	------	------

Description:             Subtract the contents of the default working register WREG and the Borrow flag (Carry flag inverse,  $\overline{C}$ ) from the contents of the specified file register and place the result in the destination register. The optional WREG operand determines the destination register. If WREG is specified, the result is stored in WREG. If WREG is not specified, the result is stored in the file register

The 'B' bit selects byte or word operation ('0' for word, '1' for byte).  
 The 'D' bit selects the destination ('0' for WREG, '1' for file register).  
 The 'f' bits select the address of the file register.

- Note 1:** The extension .B in the instruction denotes a byte operation rather than a word operation. You may use a .W extension to denote a word operation, but it is not required.
- 2:** The WREG is set to working register W0.
- 3:** The Z flag is "sticky" for ADDC, CPB, SUBB and SUBBR. These instructions can only clear Z.

Words:                    1

Cycles:                    1(4)

**Note 1:** In dsPIC33E and PIC24E devices, the listed cycle count does not apply to read and read-modify-write operations on non-CPU Special Function Registers. For more details, see **Note 3** in [Section 3.2.1 "Multi-Cycle Instructions"](#).

**Example 1:** SUBB.B 0x1FFF ; Sub. WREG and  $\overline{C}$  from (0x1FFF) (Byte mode)  
 ; Store result to 0x1FFF

	After Instruction		
Before Instruction	After Instruction		
WREG (W0) <table border="1" style="display: inline-table; vertical-align: middle;"><tr><td style="text-align: center;">7804</td></tr></table>	7804	WREG (W0) <table border="1" style="display: inline-table; vertical-align: middle;"><tr><td style="text-align: center;">7804</td></tr></table>	7804
7804			
7804			
Data 1FFE <table border="1" style="display: inline-table; vertical-align: middle;"><tr><td style="text-align: center;">9439</td></tr></table>	9439	Data 1FFE <table border="1" style="display: inline-table; vertical-align: middle;"><tr><td style="text-align: center;">8F39</td></tr></table>	8F39
9439			
8F39			
SR <table border="1" style="display: inline-table; vertical-align: middle;"><tr><td style="text-align: center;">0000</td></tr></table>	0000	SR <table border="1" style="display: inline-table; vertical-align: middle;"><tr><td style="text-align: center;">0011</td></tr></table> (DC, C = 1)	0011
0000			
0011			

**Example 2:** SUBB 0xA04, WREG ; Sub. WREG and  $\overline{C}$  from (0xA04) (word mode)  
 ; Store result to WREG

	After Instruction		
Before Instruction	After Instruction		
WREG (W0) <table border="1" style="display: inline-table; vertical-align: middle;"><tr><td style="text-align: center;">6234</td></tr></table>	6234	WREG (W0) <table border="1" style="display: inline-table; vertical-align: middle;"><tr><td style="text-align: center;">0000</td></tr></table>	0000
6234			
0000			
Data 0A04 <table border="1" style="display: inline-table; vertical-align: middle;"><tr><td style="text-align: center;">6235</td></tr></table>	6235	Data 0A04 <table border="1" style="display: inline-table; vertical-align: middle;"><tr><td style="text-align: center;">6235</td></tr></table>	6235
6235			
6235			
SR <table border="1" style="display: inline-table; vertical-align: middle;"><tr><td style="text-align: center;">0000</td></tr></table>	0000	SR <table border="1" style="display: inline-table; vertical-align: middle;"><tr><td style="text-align: center;">0001</td></tr></table> (C = 1)	0001
0000			
0001			

## SUBB

Subtract Wn from Literal with Borrow

Implemented in:	PIC24F	PIC24H	PIC24E	dsPIC30F	dsPIC33F	dsPIC33E
	X	X	X	X	X	X

Syntax: {label:} SUBB{.B} #lit10, Wn

Operands: lit10 ∈ [0 ... 255] for byte operation  
lit10 ∈ [0 ... 1023] for word operation  
Wn ∈ [W0 ... W15]

Operation: (Wn) – lit10 –  $\overline{C}$  → Wn

Status Affected: DC, N, OV, Z, C

Encoding:	1011	0001	1Bkk	kkkk	kkkk	dddd
-----------	------	------	------	------	------	------

Description: Subtract the unsigned 10-bit literal operand and the Borrow flag (Carry flag inverse,  $\overline{C}$ ) from the contents of the working register Wn, and store the result back in the working register Wn. Register direct addressing must be used for Wn.

The 'B' bit selects byte or word operation ('0' for word, '1' for byte).

The 'k' bits specify the literal operand.

The 'd' bits select the address of the working register.

**Note 1:** The extension .B in the instruction denotes a byte operation rather than a word operation. You may use a .w extension to denote a word operation, but it is not required.

**2:** For byte operations, the literal must be specified as an unsigned value [0:255]. See [Section 4.6 “Using 10-bit Literal Operands”](#) for information on using 10-bit literal operands in Byte mode.

**3:** The Z flag is “sticky” for ADDC, CPB, SUBB and SUBBR. These instructions can only clear Z.

Words: 1

Cycles: 1

Example 1: SUBB.B #0x23, W0 ; Sub. 0x23 and  $\overline{C}$  from W0 (Byte mode)  
; Store result to W0

	Before Instruction	After Instruction
W0	7804	78E0
SR	0000	0108 (DC, N = 1)

Example 2: SUBB #0x108, W4 ; Sub. 0x108 and  $\overline{C}$  from W4 (Word mode)  
; Store result to W4

	Before Instruction	After Instruction
W4	6234	612C
SR	0001 (C = 1)	0001 (C = 1)

# Section 5. Instruction Descriptions

## SUBB

Subtract Short Literal from Wb with Borrow

Implemented in:	PIC24F	PIC24H	PIC24E	dsPIC30F	dsPIC33F	dsPIC33E
	X	X	X	X	X	X

Syntax: {label:} SUBB{.B} Wb, #lit5, Wd  
 [Wd]  
 [Wd++]  
 [Wd--]  
 [++Wd]  
 [--Wd]

Operands: Wb ∈ [W0 ... W15]  
 lit5 ∈ [0 ... 31]  
 Wd ∈ [W0 ... W15]

Operation: (Wb) – lit5 –  $\bar{C}$  → Wd

Status Affected: DC, N, OV, Z, C

Encoding:	0101	1www	wBqq	qddd	d11k	kkkk
-----------	------	------	------	------	------	------

Description: Subtract the 5-bit unsigned literal operand and the Borrow flag (Carry flag inverse,  $\bar{C}$ ) from the contents of the base register Wb and place the result in the destination register Wd. Register direct addressing must be used for Wb. Either register direct or indirect addressing may be used for Wd.

The 'w' bits select the address of the base register.

The 'B' bit selects byte or word operation ('0' for word, '1' for byte).

The 'q' bits select the destination Address mode.

The 'd' bits select the destination register.

The 'k' bits provide the literal operand, a five-bit integer number.

**Note 1:** The extension .B in the instruction denotes a byte operation rather than a word operation. You may use a .W extension to denote a word operation, but it is not required.

**2:** The Z flag is "sticky" for ADDC, CPB, SUBB and SUBBR. These instructions can only clear Z.

Words: 1

Cycles: 1

Example 1: SUBB.B W4, #0x10, W5 ; Sub. 0x10 and  $\bar{C}$  from W4 (Byte mode)  
 ; Store result to W5

	Before Instruction		After Instruction
W4	1782	W4	1782
W5	7804	W5	7871
SR	0000	SR	0005 (OV, C = 1)

# 16-bit MCU and DSC Programmer's Reference Manual

---

Example 2: SUBB W0, #0x8, [W2++] ; Sub. 0x8 and  $\bar{C}$  from W0 (word mode)  
; Store result to [W2]  
; Post-increment W2

Before		After	
Instruction		Instruction	
W0	0009	W0	0009
W2	2004	W2	2006
Data 2004	A557	Data 2004	0000
SR	0002 (Z = 1)	SR	0103 (DC, Z, C = 1)

# Section 5. Instruction Descriptions

## SUBB

Subtract Ws from Wb with Borrow

Implemented in:	PIC24F	PIC24H	PIC24E	dsPIC30F	dsPIC33F	dsPIC33E
	X	X	X	X	X	X

Syntax: {label:} SUBB{.B} Wb, Ws, Wd  
[Ws], [Wd]  
[Ws++], [Wd++]  
[Ws--], [Wd--]  
[++Ws], [++Wd]  
[--Ws], [--Wd]

Operands: Wb ∈ [W0 ... W15]  
Ws ∈ [W0 ... W15]  
Wd ∈ [W0 ... W15]

Operation: (Wb) – (Ws) – ( $\bar{C}$ ) → Wd

Status Affected: DC, N, OV, Z, C

Encoding:	0101	1www	wBqq	qddd	dppp	ssss
-----------	------	------	------	------	------	------

Description: Subtract the contents of the source register Ws and the Borrow flag (Carry flag inverse,  $\bar{C}$ ) from the contents of the base register Wb, and place the result in the destination register Wd. Register direct addressing must be used for Wb. Register direct or indirect addressing may be used for Ws and Wd.

The 'w' bits select the address of the base register.

The 'B' bit selects byte or word operation ('0' for word, '1' for byte).

The 'q' bits select the destination Address mode.

The 'd' bits select the destination register.

The 'p' bits select the source Address mode.

The 's' bits select the source register.

**Note 1:** The extension .B in the instruction denotes a byte operation rather than a word operation. You may use a .W extension to denote a word operation, but it is not required.

**2:** The Z flag is "sticky" for ADDC, CPB, SUBB and SUBBR. These instructions can only clear Z.

Words: 1

Cycles: 1<sup>(1)</sup>

**Note 1:** In dsPIC33E and PIC24E devices, the listed cycle count does not apply to read and read-modify-write operations on non-CPU Special Function Registers. For more details, see **Note 3** in [Section 3.2.1 "Multi-Cycle Instructions"](#).

Example 1: SUBB.B W0, W1, W0 ; Sub. W1 and  $\bar{C}$  from W0 (Byte mode)  
; Store result to W0

	Before Instruction	After Instruction
W0	1732	17ED
W1	7844	7844
SR	0000	0108 (DC, N = 1)

# 16-bit MCU and DSC Programmer's Reference Manual

---

Example 2: SUBB W7, [W8++], [W9++] ; Sub. [W8] and  $\bar{C}$  from W7 (Word mode)  
; Store result to [W9]  
; Post-increment W8  
; Post-increment W9

Before Instruction		After Instruction	
W7	2450	W7	2450
W8	1808	W8	180A
W9	2022	W9	2024
Data 1808	92E4	Data 1808	92E4
Data 2022	A557	Data 2022	916B
SR	0000	SR	010C (DC, N, OV = 1)



## SUBBR

Subtract f from WREG with Borrow

Implemented in:	PIC24F	PIC24H	PIC24E	dsPIC30F	dsPIC33F	dsPIC33E
	X	X	X	X	X	X

Syntax:                    {label:}    SUBBR{.B} f                    {,WREG}

Operands:                 $f \in [0 \dots 8191]$

Operation:                 $(WREG) - (f) - (\overline{C}) \rightarrow \text{destination designated by D}$

Status Affected:        DC, N, OV, Z, C

Encoding:	1011	1101	1BDf	ffff	ffff	ffff
-----------	------	------	------	------	------	------

Description:             Subtract the contents of the specified file register f and the Borrow flag (Carry flag inverse,  $\overline{C}$ ) from the contents of WREG, and place the result in the destination register. The optional WREG operand determines the destination register. If WREG is specified, the result is stored in WREG. If WREG is not specified, the result is stored in the file register.

The 'B' bit selects byte or word operation ('0' for word, '1' for byte).

The 'D' bit selects the destination ('0' for WREG, '1' for file register).

The 'f' bits select the address of the file register.

**Note 1:** The extension .B in the instruction denotes a byte operation rather than a word operation. You may use a .W extension to denote a word operation, but it is not required.

**2:** The WREG is set to working register W0.

**3:** The Z flag is "sticky" for ADDC, CPB, SUBB and SUBBR. These instructions can only clear Z.

Words:                    1

Cycles:                    1(1)

**Note 1:** In dsPIC33E and PIC24E devices, the listed cycle count does not apply to read and read-modify-write operations on non-CPU Special Function Registers. For more details, see **Note 3** in [Section 3.2.1 "Multi-Cycle Instructions"](#).

Example 1: SUBBR.B 0x803 ; Sub. (0x803) and  $\overline{C}$  from WREG (Byte mode)  
; Store result to 0x803

	Before Instruction		After Instruction
WREG (W0)	7804		7804
Data 0802	9439		6F39
SR	0002 (Z = 1)		0000

Example 2: SUBBR 0xA04, WREG ; Sub. (0xA04) and  $\overline{C}$  from WREG (Word mode)  
; Store result to WREG

	Before Instruction		After Instruction
WREG (W0)	6234		FFFE
Data 0A04	6235		6235
SR	0000		0008 (N = 1)



## Section 5. Instruction Descriptions

---

Example 2: SUBBR W0, #0x8, [W2++] ; Sub. W0 and  $\bar{C}$  from 0x8 (Word mode)  
; Store result to [W2]  
; Post-increment W2

Before		After	
Instruction		Instruction	
W0	0009	W0	0009
W2	2004	W2	2006
Data 2004	A557	Data 2004	FFFE
SR	0020 (Z = 1)	SR	0108 (DC, N = 1)



## Section 5. Instruction Descriptions

Example 2: SUBBR W7, [W8++], [W9++] ; Sub. W7 and  $\bar{C}$  from [W8] (Word mode)  
; Store result to [W9]  
; Post-increment W8  
; Post-increment W9

Before Instruction		After Instruction	
W7	2450	W7	2450
W8	1808	W8	180A
W9	2022	W9	2024
Data 1808	92E4	Data 1808	92E4
Data 2022	A557	Data 2022	6E93
SR	0000	SR	0005 (OV, C = 1)

## SUBR

Subtract f from WREG

Implemented in:	PIC24F	PIC24H	PIC24E	dsPIC30F	dsPIC33F	dsPIC33E
	X	X	X	X	X	X

Syntax:            {label:}    SUBR{.B} f            {,WREG}

Operands:        f ∈ [0 ... 8191]

Operation:        (WREG) – (f) →destination designated by D

Status Affected: DC, N, OV, Z, C

Encoding:	1011	1101	0BDf	ffff	ffff	ffff
-----------	------	------	------	------	------	------

Description: Subtract the contents of the specified file register from the contents of the default working register WREG, and place the result in the destination register. The optional WREG operand determines the destination register. If WREG is specified, the result is stored in WREG. If WREG is not specified, the result is stored in the file register

The 'B' bit selects byte or word operation ('0' for word, '1' for byte).

The 'D' bit selects the destination ('0' for WREG, '1' for file register).

The 'f' bits select the address of the file register.

**Note 1:** The extension .B in the instruction denotes a byte operation rather than a word operation. You may use a .W extension to denote a word operation, but it is not required.

**2:** The WREG is set to working register W0.

Words:            1

Cycles:            1<sup>(1)</sup>

**Note 1:** In dsPIC33E and PIC24E devices, the listed cycle count does not apply to read and read-modify-write operations on non-CPU Special Function Registers. For more details, see **Note 3** in [Section 3.2.1 "Multi-Cycle Instructions"](#).

Example 1: SUBR.B 0x1FFF ; Sub. (0x1FFF) from WREG (Byte mode)  
; Store result to 0x1FFF

	Before Instruction	After Instruction
WREG (W0)	7804	7804
Data 1FFE	9439	7039
SR	0000	0000

Example 2: SUBR 0xA04, WREG ; Sub. (0xA04) from WREG (Word mode)  
; Store result to WREG

	Before Instruction	After Instruction
WREG (W0)	6234	FFFF
Data 0A04	6235	6235
SR	0000	0008 (N = 1)



## SUBR

Subtract Wb from Ws

Implemented in:	PIC24F	PIC24H	PIC24E	dsPIC30F	dsPIC33F	dsPIC33E
	X	X	X	X	X	X

Syntax: {label:} SUBR{.B} Wb, Ws, Wd  
[Ws], [Wd]  
[Ws++], [Wd++]  
[Ws--], [Wd--]  
[++Ws], [++Wd]  
[--Ws], [--Wd]

Operands: Wb  $\in$  [W0 ... W15]  
Ws  $\in$  [W0 ... W15]  
Wd  $\in$  [W0 ... W15]

Operation: (Ws) – (Wb)  $\rightarrow$  Wd

Status Affected: DC, N, OV, Z, C

Encoding:	0001	0www	wBqq	qddd	dppp	ssss
-----------	------	------	------	------	------	------

Description: Subtract the contents of the base register Wb from the contents of the source register Ws and place the result in the destination register Wd. Register direct addressing must be used for Wb. Either register direct or indirect addressing may be used for Ws and Wd.

The 'w' bits select the address of the base register.  
The 'B' bit selects byte or word operation ('0' for word, '1' for byte).  
The 'q' bits select the destination Address mode.  
The 'd' bits select the destination register.  
The 'p' bits select the source Address mode.  
The 's' bits select the source register.

**Note:** The extension .B in the instruction denotes a byte operation rather than a word operation. You may use a .w extension to denote a word operation, but it is not required.

Words: 1

Cycles: 1(1)

**Note 1:** In dsPIC33E and PIC24E devices, the listed cycle count does not apply to read and read-modify-write operations on non-CPU Special Function Registers. For more details, see **Note 3** in [Section 3.2.1 "Multi-Cycle Instructions"](#).

Example 1: SUBR.B W0, W1, W0 ; Sub. W0 from W1 (Byte mode)  
; Store result to W0

	Before Instruction	After Instruction
W0	1732	1712
W1	7844	7844
SR	0000	0001 (C = 1)



## Section 5. Instruction Descriptions

Example 2: SUBR W7, [W8++], [W9++] ; Sub. W7 from [W8] (Word mode)  
; Store result to [W9]  
; Post-increment W8  
; Post-increment W9

Before Instruction		After Instruction	
W7	2450	W7	2450
W8	1808	W8	180A
W9	2022	W9	2024
Data 1808	92E4	Data 1808	92E4
Data 2022	A557	Data 2022	6E94
SR	0000	SR	0005 (OV, C = 1)

## SWAP

### Byte or Nibble Swap Wn

Implemented in:	PIC24F	PIC24H	PIC24E	dsPIC30F	dsPIC33F	dsPIC33E
	X	X	X	X	X	X

Syntax: {label:} SWAP{.B} Wn

Operands: Wn ∈ [W0 ... W15]

Operation: For byte operation:  
(Wn)<7:4> ↔ (Wn)<3:0>  
For word operation:  
(Wn)<15:8> ↔ (Wn)<7:0>

Status Affected: None

Encoding:	1111	1101	1B00	0000	0000	ssss
-----------	------	------	------	------	------	------

Description: Swap the contents of the working register Wn. In Word mode, the two bytes of Wn are swapped. In Byte mode, the two nibbles of the Least Significant Byte of Wn are swapped, and the Most Significant Byte of Wn is unchanged. Register direct addressing must be used for Wn.

The 'B' bit selects byte or word operation ('0' for word, '1' for byte). The 's' bits select the address of the working register.

**Note:** The extension .B in the instruction denotes a byte operation rather than a word operation. You may use a .W extension to denote a word operation, but it is not required.

Words: 1

Cycles: 1

Example 1: SWAP.B W0 ; Nibble swap (W0)

	Before Instruction	After Instruction
W0	AB87	AB78
SR	0000	0000

Example 2: SWAP W0 ; Byte swap (W0)

	Before Instruction	After Instruction
W0	8095	9580
SR	0000	0000

## Section 5. Instruction Descriptions

### TBLRDH

Table Read High

Implemented in:	PIC24F	PIC24H	PIC24E	dsPIC30F	dsPIC33F	dsPIC33E
	X	X	X	X	X	X

Syntax: {label:} TBLRDH{.B} [Ws], Wd  
[Ws++], [Wd]  
[Ws--], [Wd++]  
[++Ws], [Wd--]  
[--Ws], [++Wd]  
[--Wd]

Operands: Ws ∈ [W0 ... W15]  
 Wd ∈ [W0 ... W15]

Operation: For byte operation:  
 If (LSB(Ws) = 1)  
     0 →Wd  
 Else  
     Program Mem [(TBLPAG),(Ws)] <23:16> →Wd  
For word operation:  
 Program Mem [(TBLPAG),(Ws)] <23:16> →Wd <7:0>  
 0 →Wd <15:8>

Status Affected: None

Encoding:	1011	1010	1Bqq	qddd	dppp	ssss
-----------	------	------	------	------	------	------

Description: Read the contents of the most significant word of program memory and store it to the destination register Wd. The target word address of program memory is formed by concatenating the 8-bit Table Pointer register, TBLPAG<7:0>, with the effective address specified by Ws. Indirect addressing must be used for Ws, and either register direct or indirect addressing may be used for Wd.

In Word mode, zero is stored to the Most Significant Byte of the destination register (due to non-existent program memory) and the third program memory byte (PM<23:16>) at the specified program memory address is stored to the Least Significant Byte of the destination register.

In Byte mode, the source address depends on the contents of Ws. If Ws is not word-aligned, zero is stored to the destination register (due to non-existent program memory). If Ws is word-aligned, the third program memory byte (PM<23:16>) at the specified program memory address is stored to the destination register.

The 'B' bit selects byte or word operation ('0' for word, '1' for byte).

The 'q' bits select the destination Address mode.

The 'd' bits select the destination register.

The 'p' bits select the source Address mode.

The 's' bits select the source register.

**Note:** The extension .B in the instruction denotes a byte move rather than a word move. You may use a .W extension to denote a word move, but it is not required.

Words: 1

Cycles: 2 (PIC24F, PIC24H, dsPIC30F, dsPIC33F)

5 (PIC24E, dsPIC33E)

# 16-bit MCU and DSC Programmer's Reference Manual

---

Example 1: TBLRDH.B [W0], [W1++] ; Read PM (TBLPAG:[W0]) (Byte mode)  
 ; Store to [W1]  
 ; Post-increment W1

Before Instruction		After Instruction	
W0	0812	W0	0812
W1	0F71	W1	0F72
Data 0F70	0944	Data 0F70	EF44
Program 01 0812	EF 2042	Program 01 0812	EF 2042
TBLPAG	0001	TBLPAG	0001
SR	0000	SR	0000

Example 2: TBLRDH [W6++], W8 ; Read PM (TBLPAG:[W6]) (Word mode)  
 ; Store to W8  
 ; Post-increment W6

Before Instruction		After Instruction	
W6	3406	W6	3408
W8	65B1	W8	0029
Program 00 3406	29 2E40	Program 00 3406	29 2E40
TBLPAG	0000	TBLPAG	0000
SR	0000	SR	0000

# Section 5. Instruction Descriptions

## TBLRD L

### Table Read Low

Implemented in:	PIC24F	PIC24H	PIC24E	dsPIC30F	dsPIC33F	dsPIC33E
	X	X	X	X	X	X

Syntax:            {label:}    TBLRD L{.B} [Ws],            Wd  
    [Ws++],            [Wd]  
    [Ws--],            [Wd++]  
    [++Ws],            [Wd--]  
    [--Ws],            [++Wd]  
    [--Wd]

Operands:            Ws ∈ [W0 ... W15]  
    Wd ∈ [W0 ... W15]

Operation:            For byte operation:  
    If (LSB(Ws) = 1)  
        Program Mem [(TBLPAG),(Ws)] <15:8> →Wd  
    Else  
        Program Mem [(TBLPAG),(Ws)] <7:0> →Wd  
    For word operation:  
    Program Mem [(TBLPAG),(Ws)] <15:0> →Wd

Status Affected:    None

Encoding:	1011	1010	0Bqq	qddd	dppp	ssss
-----------	------	------	------	------	------	------

Description:            Read the contents of the least significant word of program memory and store it to the destination register Wd. The target word address of program memory is formed by concatenating the 8-bit Table Pointer register, TBLPAG<7:0>, with the effective address specified by Ws. Indirect addressing must be used for Ws, and either register direct or indirect addressing may be used for Wd.

In Word mode, the lower 2 bytes of program memory are stored to the destination register. In Byte mode, the source address depends on the contents of Ws. If Ws is not word-aligned, the second byte of the program memory word (PM<15:7>) is stored to the destination register. If Ws is word-aligned, the first byte of the program memory word (PM<7:0>) is stored to the destination register.

The 'B' bit selects byte or word operation ('0' for word mode, '1' for byte).

The 'q' bits select the destination Address mode.

The 'd' bits select the destination register.

The 'p' bits select the source Address mode.

The 's' bits select the source register.

**Note:** The extension .B in the instruction denotes a byte move rather than a word move. You may use a .W extension to denote a word move, but it is not required.

Words:                1  
 Cycles:               2 (PIC24F, PIC24H, dsPIC30F, dsPIC33F)  
    5 (PIC24E, dsPIC33E)

# 16-bit MCU and DSC Programmer's Reference Manual

---

Example 1: TBLRD.L.B [W0++], W1 ; Read PM (TBLPAG:[W0]) (Byte mode)  
 ; Store to W1  
 ; Post-increment W0

Before Instruction		After Instruction	
W0	0813	W0	0814
W1	0F71	W1	0F20
Data 0F70	0944	Data 0F70	EF44
Program 01 0812	EF 2042	Program 01 0812	EF 2042
TBLPAG	0001	TBLPAG	0001
SR	0000	SR	0000

Example 2: TBLRD.L [W6], [W8++] ; Read PM (TBLPAG:[W6]) (Word mode)  
 ; Store to W8  
 ; Post-increment W8

Before Instruction		After Instruction	
W6	3406	W6	3406
W8	1202	W8	1204
Data 1202	658B	Data 1202	2E40
Program 00 3406	29 2E40	Program 00 3406	29 2E40
TBLPAG	0000	TBLPAG	0000
SR	0000	SR	0000

## Section 5. Instruction Descriptions

### TBLWTH

Table Write High

Implemented in:	PIC24F	PIC24H	PIC24E	dsPIC30F	dsPIC33F	dsPIC33E
	X	X	X	X	X	X

Syntax:            {label:}    TBLWTH{.B} Ws,            [Wd]  
    [Ws],            [Wd++]  
    [Ws++],        [Wd--]  
    [Ws--],        [++Wd]  
    [++Ws],        [--Wd]  
    [--Ws],

Operands:            Ws ∈ [W0 ... W15]  
    Wd ∈ [W0 ... W15]

Operation:            For byte operation:  
    If (LSB(Wd) = 1)  
    NOP  
    Else  
    (Ws) →Program Mem [(TBLPAG),(Wd)]<23:16>  
    For word operation:  
    (Ws)<7:0> →Program Mem [(TBLPAG),(Wd)] <23:16>

Status Affected:    None

Encoding:	1011	1011	1Bqq	qddd	dppp	ssss
-----------	------	------	------	------	------	------

Description:            Store the contents of the working source register Ws to the most significant word of program memory. The destination word address of program memory is formed by concatenating the 8-bit Table Pointer register, TBLPAG<7:0>, with the effective address specified by Wd. Either direct or indirect addressing may be used for Ws, and indirect addressing must be used for Wd.

Since program memory is 24 bits wide, this instruction can only write to the upper byte of program memory (PM<23:16>). This may be performed using a Wd that is word-aligned in Byte mode or Word mode. If Byte mode is used with a Wd that is not word-aligned, no operation is performed.

The 'B' bit selects byte or word operation ('0' for word, '1' for byte).

The 'q' bits select the destination Address mode.

The 'd' bits select the destination register.

The 'p' bits select the source Address mode.

The 's' bits select the source register.

**Note:** The extension .B in the instruction denotes a byte move rather than a word move. You may use a .W extension to denote a word move, but it is not required.

Words:                    1

Cycles:                   2<sup>(1)</sup>

**Note 1:** In dsPIC33E and PIC24E devices, the listed cycle count does not apply to read and read-modify-write operations on non-CPU Special Function Registers. For more details, see **Note 3** in [Section 3.2.1 "Multi-Cycle Instructions"](#).

# 16-bit MCU and DSC Programmer's Reference Manual

---

Example 1: TBLWTH.B [W0++], [W1] ; Write [W0]... (Byte mode)  
; to PM Latch High (TBLPAG:[W1])  
; Post-increment W0

Before		After	
Instruction		Instruction	
W0	0812	W0	0814
W1	0F70	W1	0F70
Data 0812	0944	Data 0812	EF44
Program 01 0F70	EF 2042	Program 01 0F70	44 2042
TBLPAG	0001	TBLPAG	0001
SR	0000	SR	0000

**Note:** Only the Program Latch is written to. The contents of program memory are not updated until the Flash memory is programmed using the procedure described in the specific device family reference manual.

Example 2: TBLWTH W6, [W8++] ; Write W6... (Word mode)  
; to PM Latch High (TBLPAG:[W8])  
; Post-increment W8

Before		After	
Instruction		Instruction	
W6	0026	W6	0026
W8	0870	W8	0872
Program 00 0870	22 3551	Program 00 0870	26 3551
TBLPAG	0000	TBLPAG	0000
SR	0000	SR	0000

**Note:** Only the Program Latch is written to. The contents of program memory are not updated until the Flash memory is programmed using the procedure described in the specific device family reference manual.



# Section 5. Instruction Descriptions

## TBLWTL

### Table Write Low

Implemented in:	PIC24F	PIC24H	PIC24E	dsPIC30F	dsPIC33F	dsPIC33E
	X	X	X	X	X	X

Syntax: {label:} TBLWTL{.B} Ws, [Wd]  
[Ws], [Wd++]  
[Ws++], [Wd--]  
[Ws--], [++Wd]  
[++Ws], [--Wd]  
[--Ws],

Operands: Ws ∈ [W0 ... W15]  
Wd ∈ [W0 ... W15]

Operation: For byte operation:  
If (LSB(Wd)=1)  
(Ws) →Program Mem [(TBLPAG),(Wd)] <15:8>  
Else  
(Ws) →Program Mem [(TBLPAG),(Wd)] <7:0>  
For word operation:  
(Ws) →Program Mem [(TBLPAG),(Wd)] <15:0>

Status Affected: None

Encoding:	1011	1011	0Bqq	qddd	dppp	ssss
-----------	------	------	------	------	------	------

Description: Store the contents of the working source register Ws to the least significant word of program memory. The destination word address of program memory is formed by concatenating the 8-bit Table Pointer register, TBLPAG<7:0>, with the effective address specified by Wd. Either direct or indirect addressing may be used for Ws, and indirect addressing must be used for Wd.

In Word mode, Ws is stored to the lower 2 bytes of program memory. In Byte mode, the Least Significant bit of Wd determines the destination byte. If Wd is not word-aligned, Ws is stored to the second byte of program memory (PM<15:8>). If Wd is word-aligned, Ws is stored to the first byte of program memory (PM<7:0>).

The 'B' bit selects byte or word operation ('0' for word, '1' for byte).

The 'q' bits select the destination Address mode.

The 'd' bits select the destination register.

The 'p' bits select the source Address mode.

The 's' bits select the source register.

**Note:** The extension .B in the instruction denotes a byte move rather than a word move. You may use a .W extension to denote a word move, but it is not required.

Words: 1

Cycles: 2<sup>(1)</sup>

**Note 1:** In dsPIC33E and PIC24E devices, the listed cycle count does not apply to read and read-modify-write operations on non-CPU Special Function Registers. For more details, see **Note 3** in [Section 3.2.1 “Multi-Cycle Instructions”](#).

# 16-bit MCU and DSC Programmer's Reference Manual

---

Example 1: TBLWTL.B W0, [W1++] ; Write W0... (Byte mode)  
 ; to PM Latch Low (TBLPAG:[W1])  
 ; Post-increment W1

Before Instruction		After Instruction	
W0	6628	W0	6628
W1	1225	W1	1226
Program 00 1224	78 0080	Program 01 1224	78 2880
TBLPAG	0000	TBLPAG	0000
SR	0000	SR	0000

**Note:** Only the Program Latch is written to. The contents of program memory are not updated until the Flash memory is programmed using the procedure described in the specific device family reference manual.

Example 2: TBLWTL [W6], [W8] ; Write [W6]... (Word mode)  
 ; to PM Latch Low (TBLPAG:[W8])  
 ; Post-increment W8

Before Instruction		After Instruction	
W6	1600	W6	1600
W8	7208	W8	7208
Data 1600	0130	Data 1600	0130
Program 01 7208	09 0002	Program 01 7208	09 0130
TBLPAG	0001	TBLPAG	0001
SR	0000	SR	0000

**Note:** Only the Program Latch is written to. The contents of program memory are not updated until the Flash memory is programmed using the procedure described in the specific device family reference manual.

## ULNK

### De-allocate Stack Frame

Implemented in:	PIC24F	PIC24H	PIC24E	dsPIC30F	dsPIC33F	dsPIC33E
	X	X		X	X	

Syntax:                    {label;}    ULNK

Operands:                 None

Operation:                W14 →W15  
                              (W15) – 2 →W15  
                              (TOS) →W14

Status Affected:         None

Encoding:	1111	1010	1000	0000	0000	0000
-----------	------	------	------	------	------	------

Description:              This instruction de-allocates a Stack Frame for a subroutine calling sequence. The Stack Frame is de-allocated by setting the Stack Pointer (W15) equal to the Frame Pointer (W14), and then POPping the stack to reset the Frame Pointer (W14).

Words:                    1

Cycles:                   1

Example 1:            ULNK    ; Unlink the stack frame

	Before Instruction		After Instruction
	W14		W14
	2002		2000
	W15		W15
	20A2		2000
Data 2000	2000	Data 2000	2000
	SR		SR
	0000		0000

Example 2:            ULNK    ; Unlink the stack frame

	Before Instruction		After Instruction
	W14		W14
	0802		0800
	W15		W15
	0812		0800
Data 0800	0800	Data 0800	0800
	SR		SR
	0000		0000

## ULNK

### De-allocate Stack Frame

Implemented in:	PIC24F	PIC24H	PIC24E	dsPIC30F	dsPIC33F	dsPIC33E
			X			X

Syntax:            {label;}   ULNK

Operands:           None

Operation:         W14 →W15  
                      (W15) – 2 →W15  
                      (TOS) →W14  
                      0 →SFA bit

Status Affected:   SFA

Encoding:	1111	1010	1000	0000	0000	0000
-----------	------	------	------	------	------	------

Description:        This instruction de-allocates a Stack Frame for a subroutine calling sequence. The Stack Frame is de-allocated by setting the Stack Pointer (W15) equal to the Frame Pointer (W14), and then POPping the stack to reset the Frame Pointer (W14).

Words:             1

Cycles:            1

Example 1:      ULNK   ; Unlink the stack frame

	Before Instruction		After Instruction
W14	2002	W14	2000
W15	20A2	W15	2000
Data 2000	2000	Data 2000	2000
SR	0000	SR	0000

Example 2:      ULNK   ; Unlink the stack frame

	Before Instruction		After Instruction
W14	0802	W14	0800
W15	0812	W15	0800
Data 0800	0800	Data 0800	0800
SR	0000	SR	0000

# Section 5. Instruction Descriptions

## XOR

Exclusive OR f and WREG

Implemented in:	PIC24F	PIC24H	PIC24E	dsPIC30F	dsPIC33F	dsPIC33E
	X	X	X	X	X	X

Syntax: {label:} XOR{.B} f {,WREG}

Operands:  $f \in [0 \dots 8191]$

Operation: (f).XOR.(WREG) → destination designated by D

Status Affected: N, Z

Encoding:	1011	0110	1BDf	ffff	ffff	ffff
-----------	------	------	------	------	------	------

Description: Compute the logical exclusive OR operation of the contents of the default working register WREG and the contents of the specified file register and place the result in the destination register. The optional WREG operand determines the destination register. If WREG is specified, the result is stored in WREG. If WREG is not specified, the result is stored in the file register.

The 'B' bit selects byte or word operation ('0' for word, '1' for byte).

The 'D' bit selects the destination ('0' for WREG, '1' for file register).

The 'f' bits select the address of the file register.

**Note 1:** The extension .B in the instruction denotes a byte operation rather than a word operation. You may use a .W extension to denote a word operation, but it is not required.

**2:** The WREG is set to working register W0.

Words: 1

Cycles: 1(1)

**Note 1:** In dsPIC33E and PIC24E devices, the listed cycle count does not apply to read and read-modify-write operations on non-CPU Special Function Registers. For more details, see **Note 3** in [Section 3.2.1 "Multi-Cycle Instructions"](#).

**Example 1:** XOR.B 0x1FFF ; XOR (0x1FFF) and WREG (Byte mode)  
; Store result to 0x1FFF

	Before Instruction	After Instruction
WREG (W0)	7804	7804
Data 1FFE	9439	9039
SR	0000	0008 (N = 1)

**Example 2:** XOR 0xA04, WREG ; XOR (0xA04) and WREG (Word mode)  
; Store result to WREG

	Before Instruction	After Instruction
WREG (W0)	6234	C267
Data 0A04	A053	A053
SR	0000	0008 (N = 1)

## XOR

### Exclusive OR Literal and Wn

Implemented in:	PIC24F	PIC24H	PIC24E	dsPIC30F	dsPIC33F	dsPIC33E
	X	X	X	X	X	X

Syntax:            {label:}    XOR{.B}    #lit10,        Wn

Operands:           lit10 ∈ [0 ... 255] for byte operation  
                       lit10 ∈ [0 ... 1023] for word operation  
                       Wn ∈ [W0 ... W15]

Operation:           lit10.XOR.(Wn) →Wn

Status Affected:    N, Z

Encoding:	1011	0010	1Bkk	kkkk	kkkk	dddd
-----------	------	------	------	------	------	------

Description:        Compute the logical exclusive OR operation of the unsigned 10-bit literal operand and the contents of the working register Wn and store the result back in the working register Wn. Register direct addressing must be used for Wn.

The 'B' bit selects byte or word operation ('0' for word, '1' for byte).

The 'k' bits specify the literal operand.

The 'd' bits select the address of the working register.

**Note 1:** The extension .B in the instruction denotes a byte operation rather than a word operation. You may use a .W extension to denote a word operation, but it is not required.

**2:** For byte operations, the literal must be specified as an unsigned value [0:255]. See [Section 4.6 "Using 10-bit Literal Operands"](#) for information on using 10-bit literal operands in Byte mode.

Words:               1

Cycles:              1

Example 1:    XOR.B #0x23, W0            ; XOR 0x23 and W0 (Byte mode)  
   ; Store result to W0

	Before Instruction	After Instruction
W0	7804	7827
SR	0000	0000

Example 2:    XOR    #0x108, W4         ; XOR 0x108 and W4 (Word mode)  
   ; Store result to W4

	Before Instruction	After Instruction
W4	6134	603C
SR	0000	0000







## Section 5. Instruction Descriptions

Example 1:    `XOR.B W1, [W5++], [W9++]` ; XOR W1 and [W5] (Byte mode)  
; Store result to [W9]  
; Post-increment W5 and W9

Before		After	
Instruction		Instruction	
W1	AAAA	W1	AAAA
W5	2000	W5	2001
W9	2600	W9	2601
Data 2000	115A	Data 2000	115A
Data 2600	0000	Data 2600	00F0
SR	0000	SR	0008 (N = 1)

Example 2:    `XOR W1, W5, W9` ; XOR W1 and W5 (Word mode)  
; Store the result to W9

Before		After	
Instruction		Instruction	
W1	FEDC	W1	FEDC
W5	1234	W5	1234
W9	A34D	W9	ECE8
SR	0000	SR	0008 (N = 1)



## Section 5. Instruction Descriptions

---

Example 2: ZE [w2++], w12 ; Zero-extend [w2]  
; Store to w12  
; Post-increment w2

Before Instruction		After Instruction	
W2	0900	W2	0901
W12	1002	W12	008F
Data 0900	268F	Data 0900	268F
SR	0000	SR	0001 (C = 1)

NOTES:

---

---

## Section 6. Built-in Functions

---

---

### HIGHLIGHTS

This section of the manual contains the following major topics:

6.1	Introduction .....	446
6.2	Built-in Function List.....	447

## 6.1 INTRODUCTION

This section describes the built-in functions that are specific to the MPLAB C Compiler for PIC24 MCUs and dsPIC DSCs (formerly MPLAB C30).

Built-in functions give the C programmer access to assembler operators or machine instructions that are currently only accessible using in-line assembly, but are sufficiently useful that they are applicable to a broad range of applications. Built-in functions are coded in C source files syntactically like function calls, but they are compiled to assembly code that directly implements the function, and do not involve function calls or library routines.

There are a number of reasons why providing built-in functions is preferable to requiring programmers to use in-line assembly. They include the following:

1. Providing built-in functions for specific purposes simplifies coding.
2. Certain optimizations are disabled when in-line assembly is used. This is not the case for built-in functions.
3. For machine instructions that use dedicated registers, coding in-line assembly while avoiding register allocation errors can require considerable care. The built-in functions make this process simpler as you do not need to be concerned with the particular register requirements for each individual machine instruction.

The built-in functions are listed below followed by their individual detailed descriptions.

- [\\_\\_builtin\\_addab](#)
- [\\_\\_builtin\\_add](#)
- [\\_\\_builtin\\_btg](#)
- [\\_\\_builtin\\_clr](#)
- [\\_\\_builtin\\_clr\\_prefetch](#)
- [\\_\\_builtin\\_divf](#)
- [\\_\\_builtin\\_divmodsd](#)
- [\\_\\_builtin\\_divmodud](#)
- [\\_\\_builtin\\_divsd](#)
- [\\_\\_builtin\\_divud](#)
- [\\_\\_builtin\\_dmaoffset](#)
- [\\_\\_builtin\\_ed](#)
- [\\_\\_builtin\\_edac](#)
- [\\_\\_builtin\\_edsoffset](#)
- [\\_\\_builtin\\_edspage](#)
- [\\_\\_builtin\\_fbcl](#)
- [\\_\\_builtin\\_lac](#)
- [\\_\\_builtin\\_mac](#)
- [\\_\\_builtin\\_modsd](#)
- [\\_\\_builtin\\_modud](#)
- [\\_\\_builtin\\_movsac](#)
- [\\_\\_builtin\\_mpy](#)
- [\\_\\_builtin\\_mpyn](#)
- [\\_\\_builtin\\_msc](#)
- [\\_\\_builtin\\_mulss](#)
- [\\_\\_builtin\\_mulsu](#)
- [\\_\\_builtin\\_mulus](#)
- [\\_\\_builtin\\_muluu](#)
- [\\_\\_builtin\\_nop](#)
- [\\_\\_builtin\\_psvpage](#)
- [\\_\\_builtin\\_psvoffset](#)
- [\\_\\_builtin\\_readsfr](#)
- [\\_\\_builtin\\_return\\_address](#)
- [\\_\\_builtin\\_sac](#)
- [\\_\\_builtin\\_sacr](#)
- [\\_\\_builtin\\_sftac](#)
- [\\_\\_builtin\\_subab](#)
- [\\_\\_builtin\\_tbladdress](#)
- [\\_\\_builtin\\_tblpage](#)
- [\\_\\_builtin\\_tbloffset](#)
- [\\_\\_builtin\\_tblrhd](#)
- [\\_\\_builtin\\_tblrld](#)
- [\\_\\_builtin\\_tblwth](#)
- [\\_\\_builtin\\_tblwtl](#)

This section describes only the built-in functions related to the CPU operations. The compiler provides additional built-in functions for operations such as writing to Flash program memory and changing the oscillator settings. Refer to the "MPLAB<sup>®</sup> C Compiler for PIC24 MCUs and dsPIC<sup>®</sup> DSCs User's Guide" (DS51284) for a complete list of compiler built-in functions.

## 6.2 BUILT-IN FUNCTION LIST

This section describes the programmer interface to the compiler built-in functions. Since the functions are “built-in”, there are no header files associated with them. Similarly, there are no command-line switches associated with the built-in functions – they are always available. The built-in function names are chosen such that they belong to the compiler’s namespace (they all have the prefix `__builtin_`), so they will not conflict with function or variable names in the programmer’s namespace.

---

### `__builtin_addab`

---

**Description:**

Add accumulators A and B with the result written back to the specified accumulator. For example:

```
register int result asm("A");
register int B asm("A");
```

```
result = __builtin_addab(result,B);
```

will generate:

```
add A
```

**Prototype:**

```
int __builtin_addab(int Accum_a, int Accum_b);
```

**Argument:**

*Accum\_a* First accumulator to add.

*Accum\_b* Second accumulator to add.

**Return Value:**

Returns the addition result to an accumulator.

**Assembler Operator / Machine Instruction:**

```
add
```

**Error Messages:**

An error message appears if the result is not an accumulator register.

---

## **\_\_builtin\_add**

---

### **Description:**

Add value to the accumulator specified by *result* with a shift specified by literal shift. For example:

```
register int result asm("A");
int value;
result = __builtin_add(result,value,0);
```

If value is held in w0, the following will be generated:

```
add w0, #0, A
```

### **Prototype:**

```
int __builtin_add(int Accum,int value,
const int shift);
```

### **Argument:**

*Accum* Accumulator to add.

*value* Integer number to add to accumulator value.

*shift* Amount to shift resultant accumulator value.

### **Return Value:**

Returns the shifted addition result to an accumulator.

### **Assembler Operator / Machine Instruction:**

add

### **Error Messages:**

An error message appears if:

- the result is not an accumulator register
- argument 0 is not an accumulator
- the shift value is not a literal within range



---

**\_\_builtin\_btg**

---

**Description:**

This function will generate a btg machine instruction. Some examples include:

```
int i; /* near by default */
int l __attribute__((far));
```

```
struct foo {
    int bit1:1;
} barbits;
```

```
int bar;
```

```
void some_bittoggles() {
    register int j asm("w9");
    int k;
```

```
    k = i;
```

```
    __builtin_btg(&i,1);
    __builtin_btg(&j,3);
    __builtin_btg(&k,4);
    __builtin_btg(&l,11);
```

```
    return j+k;
}
```

Note that taking the address of a variable in a register will produce warning by the compiler and cause the register to be saved onto the stack (so that its address may be taken); this form is not recommended. This caution only applies to variables explicitly placed in registers by the programmer.

**Prototype:**

```
void __builtin_btg(unsigned int *, unsigned int 0xn);
```

**Argument:**

\* A pointer to the data item for which a bit should be toggled.  
0xn A literal value in the range of 0 to 15.

**Return Value:**

Returns a btg machine instruction.

**Assembler Operator / Machine Instruction:**

btg

**Error Messages:**

An error message appears if the parameter values are not within range.

---

## **\_\_builtin\_clr**

---

**Description:**

Clear the specified accumulator. For example:

```
register int result asm("A");  
result = __builtin_clr();
```

will generate:

```
clr A
```

**Prototype:**

```
int __builtin_clr(void);
```

**Argument:**

None

**Return Value:**

Returns the cleared value result to an accumulator.

**Assembler Operator / Machine Instruction:**

```
clr
```

**Error Messages:**

An error message appears if the result is not an accumulator register.

## \_\_builtin\_clr\_prefetch

### Description:

Clear an accumulator and prefetch data ready for a future MAC operation.

*xptr* may be null to signify no X prefetch to be performed, in which case the values of *xincr* and *xval* are ignored, but required.

*yptr* may be null to signify no Y prefetch to be performed, in which case the values of *yincr* and *yval* are ignored, but required.

*xval* and *yval* nominate the address of a C variable where the prefetched value will be stored.

*xincr* and *yincr* may be the literal values: -6, -4, -2, 0, 2, 4, 6 or an integer value.

If *AWB* is non null, the other accumulator will be written back into the referenced variable.

For example:

```
register int result asm("A");
register int B asm("B");
int x_memory_buffer[256]
__attribute__((space(xmemory)));
int y_memory_buffer[256]
__attribute__((space(ymemory)));
int *xmemory;
int *ymemory;
int awb;
int xVal, yVal;

xmemory = x_memory_buffer;
ymemory = y_memory_buffer;
result = __builtin_clr(&xmemory, &xVal, 2,
                    &ymemory, &yVal, 2, &awb, B);
```

May generate:

```
clr A, [w8]+=2, w4, [w10]+=2, w5, w13
```

The compiler may need to spill w13 to ensure that it is available for the write-back. It may be recommended to users that the register be claimed for this purpose.

After this instruction:

- result will be cleared
- xVal will contain x\_memory\_buffer[0]
- yVal will contain y\_memory\_buffer[0]
- xmemory and ymemory will be incremented by 2, ready for the next mac operation

### Prototype:

```
int __builtin_clr_prefetch(
int **xptr, int *xval, int xincr,
int **yptr, int *yval, int yincr, int *AWB,
int AWB_accum);
```

---

## **`__builtin_clr_prefetch` (Continued)**

---

### **Argument:**

<i>xptr</i>	Integer pointer to x prefetch.
<i>xval</i>	Integer value of x prefetch.
<i>xincr</i>	Integer increment value of x prefetch.
<i>yptr</i>	Integer pointer to y prefetch.
<i>yval</i>	Integer value of y prefetch.
<i>yincr</i>	Integer increment value of y prefetch.
<i>AWB</i>	Accumulator write back location.
<i>AWB_accum</i>	Accumulator to write back.

**Note:** The arguments *xptr* and *yptr* must point to the arrays located in the x data memory and y data memory, respectively.

### **Return Value:**

Returns the cleared value result to an accumulator.

### **Assembler Operator / Machine Instruction:**

`clr`

### **Error Messages:**

An error message appears if:

- the result is not an accumulator register
- *xval* is a null value but *xptr* is not null
- *yval* is a null value but *yptr* is not null
- *AWB\_accum* is not an accumulator and *AWB* is not null

---

## **\_\_builtin\_divf**

---

**Description:**

Computes the quotient  $num / den$ . A math error exception occurs if  $den$  is zero. Function arguments are unsigned, as is the function result.

**Prototype:**

```
unsigned int __builtin_divf(unsigned int num,  
unsigned int den);
```

**Argument:**

*num* numerator  
*den* denominator

**Return Value:**

Returns the unsigned integer value of the quotient  $num / den$ .

**Assembler Operator / Machine Instruction:**

`div.f`

---

## **\_\_builtin\_divmodsd**

---

**Description:**

Issues the 16-bit architecture's native signed divide support. Notably, if the quotient does not fit into a 16-bit result, the results (including remainder) are unexpected. This form of the built-in function will capture both the quotient and remainder.

**Prototype:**

```
signed int __builtin_divmodsd(  
signed long dividend, signed int divisor,  
signed int *remainder);
```

**Argument:**

*dividend* number to be divided  
*divisor* number to divide by  
*remainder* pointer to remainder

**Return Value:**

Quotient and remainder.

**Assembler Operator / Machine Instruction:**

`divmodsd`

**Error Messages:**

None.

---

## **`__builtin_divmodud`**

---

**Description:**

Issues the 16-bit architecture's native unsigned divide support. Notably, if the quotient does not fit into a 16-bit result, the results (including remainder) are unexpected. This form of the built-in function will capture both the quotient and remainder.

**Prototype:**

```
unsigned int __builtin_divmodud(
unsigned long dividend, unsigned int divisor,
unsigned int *remainder);
```

**Argument:**

<i>dividend</i>	number to be divided
<i>divisor</i>	number to divide by
<i>remainder</i>	pointer to remainder

**Return Value:**

Quotient and remainder.

**Assembler Operator / Machine Instruction:**

`divmodud`

**Error Messages:**

None.

---

## **`__builtin_divsd`**

---

**Description:**

Computes the quotient  $num / den$ . A math error exception occurs if  $den$  is zero. Function arguments are signed, as is the function result. The command-line option `-wconversions` can be used to detect unexpected sign conversions.

**Prototype:**

```
int __builtin_divsd(const long num, const int den);
```

**Argument:**

<i>num</i>	numerator
<i>den</i>	denominator

**Return Value:**

Returns the signed integer value of the quotient  $num / den$ .

**Assembler Operator / Machine Instruction:**

`div.sd`

---

## \_\_builtin\_divud

---

**Description:**

Computes the quotient  $num / den$ . A math error exception occurs if  $den$  is zero. Function arguments are unsigned, as is the function result. The command-line option `-Wconversions` can be used to detect unexpected sign conversions.

**Prototype:**

```
unsigned int __builtin_divud(const unsigned
long num, const unsigned int den);
```

**Argument:**

*num* numerator  
*den* denominator

**Return Value:**

Returns the unsigned integer value of the quotient  $num / den$ .

**Assembler Operator / Machine Instruction:**

`div.ud`

---

## \_\_builtin\_dmaoffset

---

**Description:**

Obtains the offset of a symbol within DMA memory.

For example:

```
unsigned int result;
char buffer[256] __attribute__((space(dma)));
```

```
result = __builtin_dmaoffset(&buffer);
```

May generate:

```
mov #dmaoffset(buffer), w0
```

**Prototype:**

```
unsigned int __builtin_dmaoffset(const void *p);
```

**Argument:**

*\*p* pointer to DMA address value

**Return Value:**

Returns the offset to a variable located in DMA memory.

**Assembler Operator / Machine Instruction:**

`dmaoffset`

**Error Messages:**

An error message appears if the parameter is not the address of a global symbol.

---

## \_\_builtin\_ed

---

### Description:

Squares *sqr*, returning it as the result. Also prefetches data for future square operation by computing *\*\*xptr - \*\*yptr* and storing the result in *\*distance*.

*xincr* and *yincr* may be the literal values: -6, -4, -2, 0, 2, 4, 6 or an integer value.

For example:

```
register int result asm("A");
int *xmemory, *ymemory;
int distance;

result = __builtin_ed(distance,
                      &xmemory, 2,
                      &ymemory, 2,
                      &distance);
```

May generate:

```
ed w4*w4, A, [w8]+=2, [w10]+=2, w4
```

### Prototype:

```
int __builtin_ed(int sqr, int **xptr, int xincr,
                int **yptr, int yincr, int *distance);
```

### Argument:

*sqr* Integer squared value.  
*xptr* Integer pointer to pointer to x prefetch.  
*xincr* Integer increment value of x prefetch.  
*yptr* Integer pointer to pointer to y prefetch.  
*yincr* Integer increment value of y prefetch.  
*distance* Integer pointer to distance.

<p><b>Note:</b> The arguments <i>xptr</i> and <i>yptr</i> must point to the arrays located in the x data memory and y data memory, respectively.</p>
--

### Return Value:

Returns the squared result to an accumulator.

### Assembler Operator / Machine Instruction:

ed

### Error Messages:

An error message appears if:

- the result is not an accumulator register
- *xptr* is null
- *yptr* is null
- *distance* is null



**\_\_builtin\_edac****Description:**

Squares *sqr* and sums with the nominated accumulator register, returning it as the result. Also prefetches data for future square operation by computing *\*\*xptr - \*\*yptr* and storing the result in *\*distance*.

*xincr* and *yincr* may be the literal values: -6, -4, -2, 0, 2, 4, 6 or an integer value.

For example:

```
register int result asm("A");
int *xmemory, *ymemory;
int distance;

result = __builtin_ed(result, distance,
                      &xmemory, 2,
                      &ymemory, 2,
                      &distance);
```

May generate:

```
edac w4*w4, A, [w8]+=2, [W10]+=2, w4
```

**Prototype:**

```
int __builtin_edac(int Accum, int sqr,
int **xptr, int xincr, int **yptr, int yincr,
int *distance);
```

**Argument:**

<i>Accum</i>	Accumulator to sum.
<i>sqr</i>	Integer squared value.
<i>xptr</i>	Integer pointer to pointer to x prefetch.
<i>xincr</i>	Integer increment value of x prefetch.
<i>yptr</i>	Integer pointer to pointer to y prefetch.
<i>yincr</i>	Integer increment value of y prefetch.
<i>distance</i>	Integer pointer to distance.

**Note:** The arguments *xptr* and *yptr* must point to the arrays located in the x data memory and y data memory, respectively.

**Return Value:**

Returns the squared result to specified accumulator.

**Assembler Operator / Machine Instruction:**

edac

**Error Messages:**

An error message appears if:

- the result is not an accumulator register
- *Accum* is not an accumulator register
- *xptr* is null
- *yptr* is null
- *distance* is null

---

## \_\_builtin\_edsoffset

---

**Description:**

Returns the eds page offset of the object whose address is given as a parameter. The argument *p* must be the address of an object in extended data space; otherwise an error message is produced and the compilation fails. See the space attribute in **Section 2.3.1 “Specifying Attributes of Variables”** of the “MPLAB<sup>®</sup> C Compiler for PIC24 MCUs and dsPIC<sup>®</sup> DSCs User's Guide” (DS51284).

**Prototype:**

```
unsigned int __builtin_edsoffset(int *p);
```

**Argument:**

*p* object address

**Return Value:**

Returns the eds page number of the object whose address is given as a parameter

**Assembler Operator / Machine Instruction:**

edsoffset

---

## \_\_builtin\_edspage

---

**Description:**

Returns the eds page number of the object whose address is given as a parameter. The argument *p* must be the address of an object in extended data space; otherwise an error message is produced and the compilation fails. See the space attribute in **Section 2.3.1 “Specifying Attributes of Variables”** of the “MPLAB<sup>®</sup> C Compiler for PIC24 MCUs and dsPIC<sup>®</sup> DSCs User's Guide” (DS51284).

**Prototype:**

```
unsigned int __builtin_edspage(int *p);
```

**Argument:**

*p* object address

**Return Value:**

Returns the eds page number of the object whose address is given as a parameter.

**Assembler Operator / Machine Instruction:**

edspage

---

## **\_\_builtin\_fbc1**

---

**Description:**

Finds the first bit change from left in value. This is useful for dynamic scaling of fixed-point data. For example:

```
int result, value;
result = __builtin_fbc1(value);
```

May generate:

```
fbc1 w4, w5
```

**Prototype:**

```
int __builtin_fbc1(int value);
```

**Argument:**

*value* Integer number of first bit change.

**Return Value:**

Returns the shifted addition result to an accumulator.

**Assembler Operator / Machine Instruction:**

```
fbc1
```

**Error Messages:**

An error message appears if the result is not an accumulator register.

---

## **\_\_builtin\_lac**

---

**Description:**

Shifts value by *shift* (a literal between -8 and 7) and returns the value to be stored into the accumulator register. For example:

```
register int result asm("A");
int value;
result = __builtin_lac(value,3);
```

May generate:

```
lac w4, #3, A
```

**Prototype:**

```
int __builtin_lac(int value, int shift);
```

**Argument:**

*value* Integer number to be shifted.

*shift* Literal amount to shift.

**Return Value:**

Returns the shifted addition result to an accumulator.

**Assembler Operator / Machine Instruction:**

```
lac
```

**Error Messages:**

An error message appears if:

- the result is not an accumulator register
- the shift value is not a literal within range

---

## \_\_builtin\_mac

---

### Description:

Computes  $a \times b$  and sums with accumulator; also prefetches data ready for a future MAC operation.

*xptr* may be null to signify no X prefetch to be performed, in which case the values of *xincr* and *xval* are ignored, but required.

*yptr* may be null to signify no Y prefetch to be performed, in which case the values of *yincr* and *yval* are ignored, but required.

*xval* and *yval* nominate the address of a C variable where the prefetched value will be stored.

*xincr* and *yincr* may be the literal values: -6, -4, -2, 0, 2, 4, 6 or an integer value.

If *AWB* is non null, the other accumulator will be written back into the referenced variable.

For example:

```
register int result asm("A");
register int B asm("B");
int *xmemory;
int *ymemory;
int xVal, yVal;

result = __builtin_mac(result, xVal, yVal,
                      &xmemory, &xVal, 2,
                      &ymemory, &yVal, 2, 0, B);
```

May generate:

```
mac w4*w5, A, [w8] +=2, w4, [w10] +=2, w5
```

### Prototype:

```
int __builtin_mac(int Accum, int a, int b,
int **xptr, int *xval, int xincr,
int **yptr, int *yval, int yincr, int *AWB,
int AWB_accum);
```

### Argument:

<i>Accum</i>	Accumulator to sum.
<i>a</i>	Integer multiplicand.
<i>b</i>	Integer multiplier.
<i>xptr</i>	Integer pointer to pointer to x prefetch.
<i>xval</i>	Integer pointer to value of x prefetch.
<i>xincr</i>	Integer increment value of x prefetch.
<i>yptr</i>	Integer pointer to pointer to y prefetch.
<i>yval</i>	Integer pointer to value of y prefetch.
<i>yincr</i>	Integer increment value of y prefetch.
<i>AWB</i>	Accumulator write-back location.
<i>AWB_accum</i>	Accumulator to write-back.

<b>Note:</b> The arguments <i>xptr</i> and <i>yptr</i> must point to the arrays located in the x data memory and y data memory, respectively.
---

### Return Value:

Returns the cleared value result to an accumulator.

### Assembler Operator / Machine Instruction:

mac

---

### \_\_builtin\_mac (Continued)

---

**Error Messages:**

An error message appears if:

- the result is not an accumulator register
- *Accum* is not an accumulator register
- *xval* is a null value but *xptr* is not null
- *yval* is a null value but *yptr* is not null
- *AWB\_accum* is not an accumulator register and *AWB* is not null

---

## \_\_builtin\_modsd

---

**Description:**

Issues the 16-bit architecture's native signed divide support. Notably, if the quotient does not fit into a 16-bit result, the results (including remainder) are unexpected. This form of the built-in function will capture only the remainder.

**Prototype:**

```
signed int __builtin_modsd(signed long dividend,  
signed int divisor);
```

**Argument:**

*dividend* number to be divided  
*divisor* number to divide by

**Return Value:**

Remainder.

**Assembler Operator / Machine Instruction:**

modsd

**Error Messages:**

None.

---

## \_\_builtin\_modud

---

**Description:**

Issues the 16-bit architecture's native unsigned divide support. Notably, if the quotient does not fit into a 16-bit result, the results (including remainder) are unexpected. This form of the built-in function will capture only the remainder.

**Prototype:**

```
unsigned int __builtin_modud(unsigned long dividend,  
unsigned int divisor);
```

**Argument:**

*dividend* number to be divided  
*divisor* number to divide by

**Return Value:**

Remainder.

**Assembler Operator / Machine Instruction:**

modud

**Error Messages:**

None.

**\_\_builtin\_movsac****Description:**

Computes nothing, but prefetches data ready for a future MAC operation.

*xptr* may be null to signify no X prefetch to be performed, in which case the values of *xincr* and *xval* are ignored, but required.

*yptr* may be null to signify no Y prefetch to be performed, in which case the values of *yincr* and *yval* are ignored, but required.

*xval* and *yval* nominate the address of a C variable where the prefetched value will be stored.

*xincr* and *yincr* may be the literal values: -6, -4, -2, 0, 2, 4, 6 or an integer value.

If *AWB* is not null, the other accumulator will be written back into the referenced variable.

For example:

```
register int result asm("A");
int *xmemory;
int *ymemory;
int xVal, yVal;

result = __builtin_movsac(&xmemory, &xVal, 2,
                        &ymemory, &yVal, 2, 0, 0);
```

May generate:

```
movsac A, [w8]+=2, w4, [w10]+=2, w5
```

**Prototype:**

```
int __builtin_movsac(
int **xptr, int *xval, int xincr,
int **yptr, int *yval, int yincr, int *AWB
int AWB_accum);
```

**Argument:**

<i>xptr</i>	Integer pointer to pointer to x prefetch.
<i>xval</i>	Integer pointer to value of x prefetch.
<i>xincr</i>	Integer increment value of x prefetch.
<i>yptr</i>	Integer pointer to pointer to y prefetch.
<i>yval</i>	Integer pointer to value of y prefetch.
<i>yincr</i>	Integer increment value of y prefetch.
<i>AWB</i>	Accumulator write back location.
<i>AWB_accum</i>	Accumulator to write back.

**Note:** The arguments *xptr* and *yptr* must point to the arrays located in the x data memory and y data memory, respectively.

**Return Value:**

Returns prefetch data.

**Assembler Operator / Machine Instruction:**

```
movsac
```

**Error Messages:**

An error message appears if:

- the result is not an accumulator register
- *xval* is a null value but *xptr* is not null
- *yval* is a null value but *yptr* is not null
- *AWB\_accum* is not an accumulator register and *AWB* is not null

---

## \_\_builtin\_mpy

---

### Description:

Computes  $a \times b$ ; also prefetches data ready for a future MAC operation.

*xptr* may be null to signify no X prefetch to be performed, in which case the values of *xincr* and *xval* are ignored, but required.

*yptr* may be null to signify no Y prefetch to be performed, in which case the values of *yincr* and *yval* are ignored, but required.

*xval* and *yval* nominate the address of a C variable where the prefetched value will be stored.

*xincr* and *yincr* may be the literal values: -6, -4, -2, 0, 2, 4, 6 or an integer value.

For example:

```
register int result asm("A");
int *xmemory;
int *ymemory;
int xVal, yVal;

result = __builtin_mpy(xVal, yVal,
                      &xmemory, &xVal, 2,
                      &ymemory, &yVal, 2);
```

May generate:

```
mac w4*w5, A, [w8]+=2, w4, [w10]+=2, w5
```

### Prototype:

```
int __builtin_mpy(int a, int b,
int **xptr, int *xval, int xincr,
int **yptr, int *yval, int yincr);
```

### Argument:

<i>a</i>	Integer multiplicand.
<i>b</i>	Integer multiplier.
<i>xptr</i>	Integer pointer to pointer to x prefetch.
<i>xval</i>	Integer pointer to value of x prefetch.
<i>xincr</i>	Integer increment value of x prefetch.
<i>yptr</i>	Integer pointer to pointer to y prefetch.
<i>yval</i>	Integer pointer to value of y prefetch.
<i>yincr</i>	Integer increment value of y prefetch.
<i>AWB</i>	Integer pointer to accumulator selection.

<b>Note:</b> The arguments <i>xptr</i> and <i>yptr</i> must point to the arrays located in the x data memory and y data memory, respectively.
---

### Return Value:

Returns the cleared value result to an accumulator.

### Assembler Operator / Machine Instruction:

*mpy*

### Error Messages:

An error message appears if:

- the result is not an accumulator register
- *xval* is a null value but *xptr* is not null
- *yval* is a null value but *yptr* is not null



**\_\_builtin\_mpy****Description:**

Computes  $-a \times b$  ; also prefetches data ready for a future MAC operation.

*xptr* may be null to signify no X prefetch to be performed, in which case the values of *xincr* and *xval* are ignored, but required.

*yptr* may be null to signify no Y prefetch to be performed, in which case the values of *yincr* and *yval* are ignored, but required.

*xval* and *yval* nominate the address of a C variable where the prefetched value will be stored.

*xincr* and *yincr* may be the literal values: -6, -4, -2, 0, 2, 4, 6 or an integer value.

For example:

```
register int result asm("A");
int *xmemory;
int *ymemory;
int xVal, yVal;

result = __builtin_mpy(xVal, yVal,
                      &xmemory, &xVal, 2,
                      &ymemory, &yVal, 2);
```

May generate:

```
mac w4*w5, A, [w8]+=2, w4, [w10]+=2, w5
```

**Prototype:**

```
int __builtin_mpy(int a, int b,
int **xptr, int *xval, int xincr,
int **yptr, int *yval, int yincr);
```

**Argument:**

<i>a</i>	Integer multiplicand.
<i>b</i>	Integer multiplier.
<i>xptr</i>	Integer pointer to pointer to x prefetch.
<i>xval</i>	Integer pointer to value of x prefetch.
<i>xincr</i>	Integer increment value of x prefetch.
<i>yptr</i>	Integer pointer to pointer to y prefetch.
<i>yval</i>	Integer pointer to value of y prefetch.
<i>yincr</i>	Integer increment value of y prefetch.
<i>AWB</i>	Integer pointer to accumulator selection.

**Note:** The arguments *xptr* and *yptr* must point to the arrays located in the x data memory and y data memory, respectively.

**Return Value:**

Returns the cleared value result to an accumulator.

**Assembler Operator / Machine Instruction:**

mpyn

**Error Messages:**

An error message appears if:

- the result is not an accumulator register
- *xval* is a null value but *xptr* is not null
- *yval* is a null value but *yptr* is not null

---

## \_\_builtin\_msc

---

### Description:

Computes  $a \times b$  and subtracts from accumulator; also prefetches data ready for a future MAC operation.

*xptr* may be null to signify no X prefetch to be performed, in which case the values of *xincr* and *xval* are ignored, but required.

*yptr* may be null to signify no Y prefetch to be performed, in which case the values of *yincr* and *yval* are ignored, but required.

*xval* and *yval* nominate the address of a C variable where the prefetched value will be stored.

*xincr* and *yincr* may be the literal values: -6, -4, -2, 0, 2, 4, 6 or an integer value.

If *AWB* is non null, the other accumulator will be written back into the referenced variable.

For example:

```
register int result asm("A");
int *xmemory;
int *ymemory;
int xVal, yVal;
```

```
result = __builtin_msc(result, xVal, yVal,
                      &xmemory, &xVal, 2,
                      &ymemory, &yVal, 2, 0, 0);
```

May generate:

```
msc w4*w5, A, [w8]+=2, w4, [w10]+=2, w5
```

### Prototype:

```
int __builtin_msc(int Accum, int a, int b,
int **xptr, int *xval, int xincr,
int **yptr, int *yval, int yincr, int *AWB,
int AWB_accum);
```

### Argument:

<i>Accum</i>	IAccumulator to sum.
<i>a</i>	Integer multiplicand.
<i>b</i>	Integer multiplier.
<i>xptr</i>	Integer pointer to pointer to x prefetch.
<i>xval</i>	Integer pointer to value of x prefetch.
<i>xincr</i>	Integer increment value of x prefetch.
<i>yptr</i>	Integer pointer to pointer to y prefetch.
<i>yval</i>	Integer pointer to value of y prefetch.
<i>yincr</i>	Integer increment value of y prefetch.
<i>AWB</i>	Accumulator write back location.
<i>AWB_accum</i>	Accumulator to write back.

<b>Note:</b> The arguments <i>xptr</i> and <i>yptr</i> must point to the arrays located in the x data memory and y data memory, respectively.
---

### Return Value:

Returns the cleared value result to an accumulator.

### Assembler Operator / Machine Instruction:

msc

---

### \_\_builtin\_msc (Continued)

---

**Error Messages:**

An error message appears if:

- the result is not an accumulator register
- *Accum* is not an accumulator register
- *xval* is a null value but *xptr* is not null
- *yval* is a null value but *yptr* is not null
- *AWB\_accum* is not an accumulator register and *AWB* is not null

---

## \_\_builtin\_mulss

---

**Description:**

Computes the product  $p0 \times p1$ . Function arguments are signed integers, and the function result is a signed long integer. The command-line option `-wconversions` can be used to detect unexpected sign conversions.

**Prototype:**

```
signed long __builtin_mulss(const signed int p0, const signed int p1);
```

**Argument:**

*p0* multiplicand  
*p1* multiplier

**Return Value:**

Returns the signed long integer value of the product  $p0 \times p1$ .

**Assembler Operator / Machine Instruction:**

`mul.ss`

---

## \_\_builtin\_mulsu

---

**Description:**

Computes the product  $p0 \times p1$ . Function arguments are integers with mixed signs, and the function result is a signed long integer. The command-line option `-wconversions` can be used to detect unexpected sign conversions. This function supports the full range of addressing modes of the instruction, including immediate mode for operand *p1*.

**Prototype:**

```
signed long __builtin_mulsu(const signed int p0, const unsigned int p1);
```

**Argument:**

*p0* multiplicand  
*p1* multiplier

**Return Value:**

Returns the signed long integer value of the product  $p0 \times p1$ .

**Assembler Operator / Machine Instruction:**

`mul.su`

---

### \_\_builtin\_mulus

---

**Description:**

Computes the product  $p0 \times p1$ . Function arguments are integers with mixed signs, and the function result is a signed long integer. The command-line option `-wconversions` can be used to detect unexpected sign conversions. This function supports the full range of addressing modes of the instruction.

**Prototype:**

```
signed long __builtin_mulus(const unsigned int p0, const signed int p1);
```

**Argument:**

*p0* multiplicand

*p1* multiplier

**Return Value:**

Returns the signed long integer value of the product  $p0 \times p1$ .

**Assembler Operator / Machine Instruction:**

`mul.us`

---

### \_\_builtin\_muluu

---

**Description:**

Computes the product  $p0 \times p1$ . Function arguments are unsigned integers, and the function result is an unsigned long integer. The command-line option `-wconversions` can be used to detect unexpected sign conversions. This function supports the full range of addressing modes of the instruction, including immediate mode for operand *p1*.

**Prototype:**

```
unsigned long __builtin_muluu(const unsigned int p0, const unsigned int p1);
```

**Argument:**

*p0* multiplicand

*p1* multiplier

**Return Value:**

Returns the signed long integer value of the product  $p0 \times p1$ .

**Assembler Operator / Machine Instruction:**

`mul.uu`

---

## **\_\_builtin\_nop**

---

**Description:**

Generates a nop instruction.

**Prototype:**

```
void __builtin_nop(void);
```

**Argument:**

None.

**Return Value:**

Returns a no operation (nop).

**Assembler Operator / Machine Instruction:**

`nop`

---

---

## **\_\_builtin\_psvoffset**

---

**Description:**

Returns the psv page offset of the object whose address is given as a parameter. The argument *p* must be the address of an object in an EE data, PSV or executable memory space; otherwise an error message is produced and the compilation fails. See the space attribute in **Section 2.3.1 “Specifying Attributes of Variables”** of the “MPLAB® C Compiler for PIC24 MCUs and dsPIC® DSCs User’s Guide” (DS51284).

**Prototype:**

```
unsigned int __builtin_psvoffset(const void *p);
```

**Argument:**

*p* object address

**Return Value:**

Returns the psv page number offset of the object whose address is given as a parameter.

**Assembler Operator / Machine Instruction:**

`psvoffset`

**Error Messages:**

The following error message is produced when this function is used incorrectly:

“Argument to `__builtin_psvoffset()` is not the address of an object in code, psv, or eedata section”.

The argument must be an explicit object address.

For example, if *obj* is object in an executable or read-only section, the following syntax is valid:

```
unsigned page = __builtin_psvoffset(&obj);
```

---

---

**\_\_builtin\_psvpage**

---

**Description:**

Returns the psv page number of the object whose address is given as a parameter. The argument *p* must be the address of an object in an EE data, PSV or executable memory space; otherwise an error message is produced and the compilation fails. See the space attribute in **Section 2.3.1 “Specifying Attributes of Variables”** of the “MPLAB® C Compiler for PIC24 MCUs and dsPIC® DSCs User’s Guide” (DS51284).

**Prototype:**

```
unsigned int __builtin_psvpage(const void *p);
```

**Argument:**

*p* object address

**Return Value:**

Returns the psv page number of the object whose address is given as a parameter.

**Assembler Operator / Machine Instruction:**

psvpage

**Error Messages:**

The following error message is produced when this function is used incorrectly:

“Argument to \_\_builtin\_psvpage() is not the address of an object in code, psv, or eedata section”.

The argument must be an explicit object address.

For example, if *obj* is object in an executable or read-only section, the following syntax is valid:

```
unsigned page = __builtin_psvpage(&obj);
```

---

**\_\_builtin\_readsfr**

---

**Description:**

Reads the SFR.

**Prototype:**

```
unsigned int __builtin_readsfr(const void *p);
```

**Argument:**

*p* object address

**Return Value:**

Returns the SFR.

**Assembler Operator / Machine Instruction:**

readsfr

**Error Messages:**

The following error message is produced when this function is used incorrectly:

---

## \_\_builtin\_return\_address

---

**Description:**

Returns the return address of the current function, or of one of its callers. For the *level* argument, a value of 0 yields the return address of the current function, a value of 1 yields the return address of the caller of the current function, and so forth. When level exceeds the current stack depth, 0 will be returned. This function should only be used with a non-zero argument for debugging purposes.

**Prototype:**

```
int __builtin_return_address (const int level);
```

**Argument:**

*level* Number of frames to scan up the call stack.

**Return Value:**

Returns the return address of the current function, or of one of its callers.

**Assembler Operator / Machine Instruction:**

return\_address

---

## \_\_builtin\_sac

---

**Description:**

Shifts value by *shift* (a literal between -8 and 7) and returns the value.

For example:

```
register int value asm("A");  
int result;
```

```
result = __builtin_sac(value,3);
```

May generate:

```
sac A, #3, w0
```

**Prototype:**

```
int __builtin_sac(int value, int shift);
```

**Argument:**

*value* Integer number to be shifted.

*shift* Literal amount to shift.

**Return Value:**

Returns the shifted result to an accumulator.

**Assembler Operator / Machine Instruction:**

sac

**Error Messages:**

An error message appears if:

- the result is not an accumulator register
- the shift value is not a literal within range



---

**\_\_builtin\_sacr**

---

**Description:**

Shifts value by *shift* (a literal between -8 and 7) and returns the value which is rounded using the rounding mode determined by the CORCONbits.RND control bit.

For example:

```
register int value asm("A");  
int result;
```

```
result = __builtin_sacr(value,3);
```

May generate:

```
sac.r A, #3, w0
```

**Prototype:**

```
int __builtin_sacr(int value, int shift);
```

**Argument:**

*value* Integer number to be shifted.

*shift* Literal amount to shift.

**Return Value:**

Returns the shifted result to the CORCON register.

**Assembler Operator / Machine Instruction:**

```
sacr
```

**Error Messages:**

An error message appears if:

- the result is not an accumulator register
- the shift value is not a literal within range

---

## **\_\_builtin\_sftac**

---

### **Description:**

Shifts accumulator by *shift*. The valid shift range is -16 to 16.

For example:

```
register int result asm("A");  
int i;
```

```
result = __builtin_sftac(result,i);
```

May generate:

```
sftac A, w0
```

### **Prototype:**

```
int __builtin_sftac(int Accum, int shift);
```

### **Argument:**

*Accum* Accumulator to shift.

*shift* Amount to shift.

### **Return Value:**

Returns the shifted result to an accumulator.

### **Assembler Operator / Machine Instruction:**

```
sftac
```

### **Error Messages:**

An error message appears if:

- the result is not an accumulator register
- *Accum* is not an accumulator register
- the shift value is not a literal within range

---

## **\_\_builtin\_subab**

---

**Description:**

Subtracts accumulators A and B with the result written back to the specified accumulator. For example:

```
register int result asm("A");
register int B asm("B");
result = __builtin_subab(result,B);
```

will generate:

```
sub A
```

**Prototype:**

```
int __builtin_subab(int Accum_a, int Accum_b);
```

**Argument:**

*Accum\_a* Accumulator from which to subtract.  
*Accum\_b* Accumulator to subtract.

**Return Value:**

Returns the subtraction result to an accumulator.

**Assembler Operator / Machine Instruction:**

```
sub
```

**Error Messages:**

An error message appears if the result is not an accumulator register.

---

## **\_\_builtin\_tbladdress**

---

**Description:**

Returns a value that represents the address of an object in program memory. The argument *p* must be the address of an object in an EE data, PSV or executable memory space; otherwise an error message is produced and the compilation fails. See the space attribute in **Section 2.3.1 “Specifying Attributes of Variables”** of the “MPLAB® C Compiler for PIC24 MCUs and dsPIC® DSCs User’s Guide” (DS51284).

**Prototype:**

```
unsigned long __builtin_tblpage(const void *p);
```

**Argument:**

*p* object address

**Return Value:**

Returns an unsigned long value that represents the address of an object in program memory.

**Assembler Operator / Machine Instruction:**

```
tbladdress
```

---

## **\_\_builtin\_tbladdress**

---

### **Error Messages:**

The following error message is produced when this function is used incorrectly:

"Argument to `__builtin_tbladdress()` is not the address of an object in code, psv, or eedata section".

The argument must be an explicit object address.

For example, if *obj* is object in an executable or read-only section, the following syntax is valid:

```
unsigned long page = __builtin_tbladdress(&obj);
```

---

## **\_\_builtin\_tbloffset**

---

### **Description:**

Returns the table page offset of the object whose address is given as a parameter. The argument *p* must be the address of an object in an EE data, PSV or executable memory space; otherwise an error message is produced and the compilation fails. See the space attribute in **Section 2.3.1 "Specifying Attributes of Variables"** of the "MPLAB<sup>®</sup> C Compiler for PIC24 MCUs and dsPIC<sup>®</sup> DSCs User's Guide" (DS51284).

### **Prototype:**

```
unsigned int __builtin_tbloffset(const void *p);
```

### **Argument:**

*p* object address

### **Return Value:**

Returns the table page number offset of the object whose address is given as a parameter.

### **Assembler Operator / Machine Instruction:**

`tbloffset`

### **Error Messages:**

The following error message is produced when this function is used incorrectly:

"Argument to `__builtin_tbloffset()` is not the address of an object in code, psv, or eedata section".

The argument must be an explicit object address.

For example, if *obj* is object in an executable or read-only section, the following syntax is valid:

```
unsigned page = __builtin_tbloffset(&obj);
```

---

## \_\_builtin\_tblpage

---

**Description:**

Returns the table page number of the object whose address is given as a parameter. The argument *p* must be the address of an object in an EE data, PSV or executable memory space; otherwise an error message is produced and the compilation fails. See the space attribute in **Section 2.3.1 “Specifying Attributes of Variables”** of the “MPLAB® C Compiler for PIC24 MCUs and dsPIC® DSCs User’s Guide” (DS51284).

**Prototype:**

```
unsigned int __builtin_tblpage(const void *p);
```

**Argument:**

*p* object address

**Return Value:**

Returns the table page number of the object whose address is given as a parameter.

**Assembler Operator / Machine Instruction:**

tblpage

**Error Messages:**

The following error message is produced when this function is used incorrectly:

“Argument to \_\_builtin\_tblpage() is not the address of an object in code, psv, or eedata section”.

The argument must be an explicit object address.

For example, if *obj* is object in an executable or read-only section, the following syntax is valid:

```
unsigned page = __builtin_tblpage(&obj);
```

---

## \_\_builtin\_tblrhd

---

**Description:**

Issues the `tblrdh.w` instruction to read a word from Flash or EEDATA memory. You must set up the TBLPAG to point to the appropriate page. To do this, you may make use of `__builtin_tbloffset()` and `__builtin_tblpage()`.

Please refer to the specific device data sheet or the appropriate family reference manual for complete details regarding reading and writing program Flash.

**Prototype:**

```
unsigned int __builtin_tblrhd(unsigned int offset);
```

**Argument:**

*offset* desired memory offset

**Return Value:**

None.

**Assembler Operator / Machine Instruction:**

tblrdh

**Error Messages:**

None.

---

## **\_\_builtin\_tblr1**

---

**Description:**

Issues the `tblr1.w` instruction to read a word from Flash or EEDATA memory. You must set up the TBLPAG to point to the appropriate page. To do this, you may make use of `__builtin_tbloffset()` and `__builtin_tblpage()`.

Please refer to the specific device data sheet or the appropriate family reference manual for complete details regarding reading and writing program Flash.

**Prototype:**

```
unsigned int __builtin_tblr1(unsigned int offset);
```

**Argument:**

*offset* desired memory offset

**Return Value:**

None.

**Assembler Operator / Machine Instruction:**

`tblr1`

**Error Messages:**

None.

---

## **\_\_builtin\_tblwth**

---

**Description:**

Issues the `tblwth.w` instruction to write a word to Flash or EEDATA memory. You must set up the TBLPAG to point to the appropriate page. To do this, you may make use of `__builtin_tbloffset()` and `__builtin_tblpage()`.

Please refer to the specific device data sheet or the appropriate family reference manual for complete details regarding reading and writing program Flash.

**Prototype:**

```
void __builtin_tblwth(unsigned int offset  
unsigned int data);
```

**Argument:**

*offset* desired memory offset

*data* data to be written

**Return Value:**

None.

**Assembler Operator / Machine Instruction:**

`tblwth`

**Error Messages:**

None.

---

**\_\_builtin\_tblwtl**

---

**Description:**

Issues the `tblrdl.w` instruction to write a word to Flash or EEDATA memory. You must set up the TBLPAG to point to the appropriate page. To do this, you may make use of `__builtin_tbloffset()` and `__builtin_tblpage()`.

Please refer to the specific device data sheet or the appropriate family reference manual for complete details regarding reading and writing program Flash.

**Prototype:**

```
void __builtin_tblwtl(unsigned int offset
unsigned int data);
```

**Argument:**

*offset* desired memory offset  
*data* data to be written

**Return Value:**

None.

**Assembler Operator / Machine Instruction:**

`tblwtl`

**Error Messages:**

None.

## Example 6-1: Additional Inline Functions

```
#include "p33fxxxx.h"

volatile long Result_mpy1616;
volatile long Result_addab;
volatile long Result_subab;
volatile long Result_mpy3216;
volatile long Result_div3216;

register int Accu_A asm("A");
register int Accu_B asm("B");

inline static long mpy_32_16 (long, int);

inline static long mpy_32_16 (long x, int y)
{
    long result;
    int temp1, temp2;
    temp1 = (x>>1)&0x7FFF;
    temp2 = x>>16;
    Accu_A = __builtin_mpy (temp1, y, 0,0,0,0,0,0);
    Accu_A = __builtin_sftac (15);
    Accu_A = __builtin_mac (temp2, y, 0,0,0,0,0,0);
    asm("mov _ACCAL,%0\n\t"
        "mov _ACCAH,%d0" : "=r"(result) : "w"(Accu_A));
    return result;
}

int main (void)
{
    // Variable declarations
    int Input1;
    int Input2;
    int Input3;
    int Input4;
    long Input5;
    int Input6;
    long Input7;
    int Input8;

    // Enable 32-bit saturation, signed and fractional modes for both ACCA
    // and ACCB
    CORCON = 0x00C0;

    // Example of 16*16-bit fractional multiplication using ACCA
    Input1 = 32767;
    Input2 = 32767;
    Accu_A = __builtin_mpy (Input1, Input2, 0,0,0,0,0,0);
    asm("mov _ACCAL,%0\n\t"
        "mov _ACCAH,%d0" : "=r"(Result_mpy1616) : "w"(Accu_A));

    // Example of 16*16-bit fractional multiplication using ACCB
    Input3 = 16384;
    Input4 = 16384;
    Accu_B = __builtin_mpy (Input3, Input4, 0,0,0,0,0,0);
    asm("mov _ACCBL,%0\n\t"
        "mov _ACCBH,%d0" : "=r"(Result_mpy1616) : "w"(Accu_B));

    // Example of 32-bit addition using ACCA (ACCA = ACCA + ACCB)
    Accu_A = __builtin_addab();
    asm("mov _ACCAL,%0\n\t"
        "mov _ACCAH,%d0" : "=r"(Result_addab) : "w"(Accu_A));

    // Example of 32-bit subtraction using ACCB (ACCB = ACCB - ACCA)
    Accu_B = __builtin_subab();
    asm("mov _ACCBL,%0\n\t"
        "mov _ACCBH,%d0" : "=r"(Result_subab) : "w"(Accu_B));

    // Example of 32*16-bit fractional multiplication using ACCA
    Input5 = 0x7FFFFFFF;
    Input6 = 32767;
    Result_mpy3216 = mpy_32_16 (Input5, Input6);

    while(1);
}
```



**Example 6-2: Divide\_32\_by\_16**

```
#include <p33Fxxx.h>
#include "divide.h"

_FOSCSEL(FNOSC_FRC);
_FOSC(FCKSM_CSDCMD & OSCIOFNC_OFF & POSCMD_NONE);
_FWDT(FWDTEN_OFF);

unsigned int divide_(long a, int b) {
    union convert {
        unsigned long l;
        unsigned int i[2];
    } c;

    int sign;
    unsigned int result;

    c.l = a;
    sign = c.i[1] ^ b;

    if (a < 0) a = (-a);
    if (b < 0) b = -b;
    result = __builtin_divud(a,b);
    result >>= 1;
    if (sign < 0) result = -result;
    return result;
}

int main(void)
{
    unsigned long dividend;
    unsigned int divisor;
    unsigned int quotient;

    dividend = 0x3FFFFFFF;
    divisor = 0x7FFF;

    quotient = divide_((long)dividend, (int)divisor);
    while(1);
}
```

NOTES:



---

---

## Section 7. Reference

---

---

### HIGHLIGHTS

This section of the manual contains the following major topics:

7.1	Instruction Bit Map .....	484
7.2	Instruction Set Summary Table .....	486
7.3	Revision History .....	496

## 7.1 INSTRUCTION BIT MAP

Instruction encoding for the 16-bit MCU and DSC family devices is summarized in [Table 7-1](#). This table contains the encoding for the MSB of each instruction. The first column in the table represents bits 23:20 of the opcode, and the first row of the table represents bits 19:16 of the opcode. The first byte of the opcode is formed by taking the first column bit value and appending the first row bit value. For instance, the MSB of the PUSH instruction (last row, ninth column) is encoded with 11111000b (0xF8).

**Note:** The complete opcode for each instruction may be determined by the instruction descriptions in [Section 5. "Instruction Descriptions"](#), using [Table 5-1](#) through [Table 5-12](#).

**Table 7-1: Instruction Encoding**

		Opcode<19:16>												
		0000	0001	0010	0011	0100	0101	0110	0111	1000	1001	1010	1011	1100
Opcode<23:20>	0000	NOP	BRA CALL GOTO RCALL	CALL	—	GOTO	RETLW	RETFIE RETURN	RCALL	DO <sup>(1)</sup>	REPEAT	—	—	BRA <sup>(1)</sup> (OA)
	0001	SUBR						SUBBR						
	0010	MOV												
	0011	BRA (OV)	BRA (C)	BRA (Z)	BRA (N)	BRA (LE)	BRA (LT)	BRA (LEU)	BRA	BRA (NOV)	BRA (NC)	BRA (NZ)	BRA (NN)	BRA (GT)
	0100	ADD						ADDC						
	0101	SUB						SUBB						
	0110	AND						XOR						
	0111	IOR						MOV						
	1000	MOV												
	1001	MOV												
	1010	BSET	BCLR	BTG	BTST	BTSTS	BTST	BTSS	BTSC	BSET	BCLR	BTG	BTST	BTSTS
	1011	ADD ADDC	SUB SUBB	AND XOR	IOR MOV	ADD ADDC	SUB SUBB	AND XOR	IOR MOV	MUL.US MUL.UU	MUL.SS MUL.SU	TBLRDH TBLRDL	TBLWTH TBLWTL	MUL
	1100	MAC <sup>(1)</sup> MPY <sup>(1)</sup> MPY.N <sup>(1)</sup> MSC <sup>(1)</sup>			CLRAC <sup>(1)</sup>	MAC <sup>(1)</sup> MPY <sup>(1)</sup> MPY.N <sup>(1)</sup> MSC <sup>(1)</sup>			MOVSAC <sup>(1)</sup>	SFTAC <sup>(1)</sup>	ADD <sup>(1)</sup>	LAC <sup>(1)</sup>	ADD <sup>(1)</sup> NEG <sup>(1)</sup> SUB <sup>(1)</sup>	SAC <sup>(1)</sup>
	1101	SL	ASR LSR	RLC RLNC	RRC RRNC	SL	ASR LSR	RLC RLNC	RRC RRNC	DIV.S DIV.U	DIVF <sup>(1)</sup>	—	—	—
	1110	CP0	CP CPB	CP0	CP CPB	—	—	CPBGT <sup>(2)</sup> CPBLT <sup>(2)</sup> CPSGT CPSLT	CPBEQ <sup>(2)</sup> CPBNE <sup>(2)</sup> CPSEQ CPSNE	INC INC2	DEC DEC2	COM NEG	CLR SETM	INC INC2
1111	ED <sup>(1)</sup> EDAC <sup>(1)</sup> MAC <sup>(1)</sup> MPY <sup>(1)</sup>				—	—	—	—	PUSH	POP	LNK ULNK	SE ZE	DISI	

**Note** 1: This instruction is only available in dsPIC30F, dsPIC33F, and dsPIC33E family devices.  
 2: This instruction is only available in PIC24E and dsPIC33E family devices.

## 7.2 INSTRUCTION SET SUMMARY TABLE

The complete 16-bit MCU and DSC device instruction set is summarized in [Table 7-2](#). This table contains instruction set. It includes instruction assembly syntax, description, size (in 24-bit words), execution time (Status bits), and the page number in which the detailed description can be found. [Table 1-2](#) identifies the Instruction Set Summary Table.

**Note:** The instruction cycle counts listed here are for PIC24F, PIC24H, dsPIC30F and dsPIC33F devices. Additional cycles in PIC24E and dsPIC33E devices. Refer to [Section 3.3 “Instruction Set Summary”](#) and [Section 5.4 “Instruction Descriptions”](#) for details.

**Table 7-2: Instruction Set Summary Table**

Assembly Syntax Mnemonic, Operands	Description	Words	Cycles	OA <sup>(2)</sup>	OB <sup>(2)</sup>	SA <sup>(1,2)</sup>	SB <sup>(1,2)</sup>	OAB <sup>(2)</sup>	SAB <sup>(1,2)</sup>	DC
ADD f {, WREG}	Destination = f + WREG	1	1	—	—	—	—	—	—	↕
ADD #lit10, Wn	Wn = lit10 + Wn	1	1	—	—	—	—	—	—	↕
ADD Wb, #lit5, Wd	Wd = Wb + lit5	1	1	—	—	—	—	—	—	↕
ADD Wb, Ws, Wd	Wd = Wb + Ws	1	1	—	—	—	—	—	—	↕
ADD Acc <sup>(2)</sup>	Add accumulators	1	1	↕	↕	↑	↑	↕	↑	—
ADD Wso, #Slit4, Acc	16-bit signed add to accumulator	1	1	↕	↕	↑	↑	↕	↑	—
ADDC f {, WREG}	Destination = f + WREG + (C)	1	1	—	—	—	—	—	—	↕
ADDC #lit10, Wn	Wn = lit10 + Wn + (C)	1	1	—	—	—	—	—	—	↕
ADDC Wb, #lit5, Wd	Wd = Wb + lit5 + (C)	1	1	—	—	—	—	—	—	↕
ADDC Wb, Ws, Wd	Wd = Wb + Ws + (C)	1	1	—	—	—	—	—	—	↕
AND f {, WREG}	Destination = f .AND. WREG	1	1	—	—	—	—	—	—	—
AND #lit10, Wn	Wn = lit10 .AND. Wn	1	1	—	—	—	—	—	—	—
AND Wb, #lit5, Wd	Wd = Wb .AND. lit5	1	1	—	—	—	—	—	—	—
AND Wb, Ws, Wd	Wd = Wb .AND. Ws	1	1	—	—	—	—	—	—	—
ASR f {, WREG}	Destination = arithmetic right shift f, LSB →C	1	1	—	—	—	—	—	—	—
ASR Ws, Wd	Wd = arithmetic right shift Ws, LSB →C	1	1	—	—	—	—	—	—	—
ASR Wb, #lit4, Wnd	Wnd = arithmetic right shift Wb by lit4, LSB →C	1	1	—	—	—	—	—	—	—

**Legend:** ↕ set or cleared; ↓ may be cleared, but never set; ↑ may be set, but never cleared; '1' always set; '0' always cleared; — unchanged

- Note**
- 1: SA, SB and SAB are only modified if the corresponding saturation is enabled, otherwise unchanged.
  - 2: This instruction/operand is only available in dsPIC30F, dsPIC33F, and dsPIC33E devices.
  - 3: This instruction/operand is only available in PIC24E and dsPIC33E devices.
  - 4: This instruction/operand is only available in dsPIC33E devices.
  - 5: This instruction/operand is only available in PIC24F, PIC24H, dsPIC30F, and dsPIC33F devices.
  - 6: This instruction/operand is only available in dsPIC30F and dsPIC33F devices.

Table 7-2: Instruction Set Summary Table (Continued)

Assembly Syntax Mnemonic, Operands	Description	Words	Cycles	OA <sup>(2)</sup>	OB <sup>(2)</sup>	SA <sup>(1,2)</sup>	SB <sup>(1,2)</sup>	OAB <sup>(2)</sup>	SAB <sup>(1,2)</sup>	DC
ASR Wb, Wns, Wnd	Wnd = arithmetic right shift Wb by Wns, LSB →C	1	1	—	—	—	—	—	—	—
BCLR f, #bit4	Bit clear f	1	1	—	—	—	—	—	—	—
BCLR ws, #bit4	Bit clear Ws	1	1	—	—	—	—	—	—	—
BRA Expr	Branch unconditionally	1	2	—	—	—	—	—	—	—
BRA Wn	Computed branch	1	2	—	—	—	—	—	—	—
BRA C, Expr	Branch if Carry	1	1 (2)	—	—	—	—	—	—	—
BRA GE, Expr	Branch if greater than or equal	1	1 (2)	—	—	—	—	—	—	—
BRA GEU, Expr	Branch if Carry	1	1 (2)	—	—	—	—	—	—	—
BRA GT, Expr	Branch if greater than	1	1 (2)	—	—	—	—	—	—	—
BRA GTU, Expr	Branch if unsigned greater than	1	1 (2)	—	—	—	—	—	—	—
BRA LE, Expr	Branch if less than or equal	1	1 (2)	—	—	—	—	—	—	—
BRA LEU, Expr	Branch if unsigned less than or equal	1	1 (2)	—	—	—	—	—	—	—
BRA LT, Expr	Branch if less than	1	1 (2)	—	—	—	—	—	—	—
BRA LTU, Expr	Branch if not Carry	1	1 (2)	—	—	—	—	—	—	—
BRA N, Expr	Branch if Negative	1	1 (2)	—	—	—	—	—	—	—
BRA NC, Expr	Branch if not Carry	1	1 (2)	—	—	—	—	—	—	—
BRA NN, Expr	Branch if not Negative	1	1 (2)	—	—	—	—	—	—	—
BRA NOV, Expr	Branch if not Overflow	1	1 (2)	—	—	—	—	—	—	—
BRA NZ, Expr	Branch if not Zero	1	1 (2)	—	—	—	—	—	—	—
BRA OA, Expr <sup>(2)</sup>	Branch if Accumulator A overflow	1	1 (2)	—	—	—	—	—	—	—
BRA OB, Expr <sup>(2)</sup>	Branch if Accumulator B overflow	1	1 (2)	—	—	—	—	—	—	—
BRA OV, Expr	Branch if Overflow	1	1 (2)	—	—	—	—	—	—	—
BRA SA, Expr <sup>(2)</sup>	Branch if Accumulator A saturated	1	1 (2)	—	—	—	—	—	—	—
BRA SB, Expr <sup>(2)</sup>	Branch if Accumulator B saturated	1	1 (2)	—	—	—	—	—	—	—
BRA Z, Expr	Branch if Zero	1	1 (2)	—	—	—	—	—	—	—
BSET f, #bit4	Bit set f	1	1	—	—	—	—	—	—	—
BSET ws, #bit4	Bit set Ws	1	1	—	—	—	—	—	—	—
BSW.C ws, Wb	Write C bit to Ws<Wb>	1	1	—	—	—	—	—	—	—

**Legend:** ⬆ set or cleared; ⬇ may be cleared, but never set; ⬆ may be set, but never cleared; '1' always set; '0' always cleared; — unchanged

- Note**
- 1: SA, SB and SAB are only modified if the corresponding saturation is enabled, otherwise unchanged.
  - 2: This instruction/operand is only available in dsPIC30F, dsPIC33F, and dsPIC33E devices.
  - 3: This instruction/operand is only available in PIC24E and dsPIC33E devices.
  - 4: This instruction/operand is only available in dsPIC33E devices.
  - 5: This instruction/operand is only available in PIC24F, PIC24H, dsPIC30F, and dsPIC33F devices.
  - 6: This instruction/operand is only available in dsPIC30F and dsPIC33F devices.

Table 7-2: Instruction Set Summary Table (Continued)

Assembly Syntax Mnemonic, Operands	Description	Words	Cycles	OA <sup>(2)</sup>	OB <sup>(2)</sup>	SA <sup>(1,2)</sup>	SB <sup>(1,2)</sup>	OAB <sup>(2)</sup>	SAB <sup>(1,2)</sup>	DC
BSW.Z Ws,Wb	Write Z bit to Ws<Wb>	1	1	—	—	—	—	—	—	—
BTG f,#bit4	Bit toggle f	1	1	—	—	—	—	—	—	—
BTG Ws,#bit4	Bit toggle Ws	1	1	—	—	—	—	—	—	—
BTSC f,#bit4	Bit test f, skip if clear	1	1 (2 or 3)	—	—	—	—	—	—	—
BTSC Ws,#bit4	Bit test Ws, skip if clear	1	1 (2 or 3)	—	—	—	—	—	—	—
BTSS f,#bit4	Bit test f, skip if set	1	1 (2 or 3)	—	—	—	—	—	—	—
BTSS Ws,#bit4	Bit test Ws, skip if set	1	1 (2 or 3)	—	—	—	—	—	—	—
BTST f,#bit4	Bit test f to Z	1	1	—	—	—	—	—	—	—
BTST.C Ws,#bit4	Bit test Ws to C	1	1	—	—	—	—	—	—	—
BTST.Z Ws,#bit4	Bit test Ws to Z	1	1	—	—	—	—	—	—	—
BTST.C Ws,Wb	Bit test Ws<Wb> to C	1	1	—	—	—	—	—	—	—
BTST.Z Ws,Wb	Bit test Ws<Wb> to Z	1	1	—	—	—	—	—	—	—
BTSTS f,#bit4	Bit test f to Z, then set f	1	1	—	—	—	—	—	—	—
BTSTS.C Ws,#bit4	Bit test Ws to C then set	1	1	—	—	—	—	—	—	—
BTSTS.Z Ws,#bit4	Bit test Ws to Z then set	1	1	—	—	—	—	—	—	—
CALL Expr	Call subroutine	2	2	—	—	—	—	—	—	—
CALL Wn	Call indirect subroutine	1	2	—	—	—	—	—	—	—
CALL.L Wn <sup>(3)</sup>	Call indirect subroutine (long address)	1	4	—	—	—	—	—	—	—
CLR f	f = 0x0000	1	1	—	—	—	—	—	—	—
CLR WREG	WREG = 0x0000	1	1	—	—	—	—	—	—	—
CLR Wd	Wd = 0	1	1	—	—	—	—	—	—	—
CLR Acc, [Wx], Wxd, [Wy], Wyd, AWB <sup>(2)</sup>	Clear accumulator	1	1	0	0	0	0	0	0	—
CLRWDT	Clear Watchdog Timer	1	1	—	—	—	—	—	—	—
COM f {, WREG}	Destination = $\bar{f}$	1	1	—	—	—	—	—	—	—
COM Ws,Wd	Wd = $\overline{Ws}$	1	1	—	—	—	—	—	—	—

**Legend:**  $\uparrow$  set or cleared;  $\downarrow$  may be cleared, but never set;  $\hat{\uparrow}$  may be set, but never cleared; '1' always set; '0' always cleared; — unchanged

**Note 1:** SA, SB and SAB are only modified if the corresponding saturation is enabled, otherwise unchanged.

**Note 2:** This instruction/operand is only available in dsPIC30F, dsPIC33F, and dsPIC33E devices.

**Note 3:** This instruction/operand is only available in PIC24E and dsPIC33E devices.

**Note 4:** This instruction/operand is only available in dsPIC33E devices.

**Note 5:** This instruction/operand is only available in PIC24F, PIC24H, dsPIC30F, and dsPIC33F devices.

**Note 6:** This instruction/operand is only available in dsPIC30F and dsPIC33F devices.



Table 7-2: Instruction Set Summary Table (Continued)

Assembly Syntax Mnemonic, Operands	Description	Words	Cycles	OA <sup>(2)</sup>	OB <sup>(2)</sup>	SA <sup>(1,2)</sup>	SB <sup>(1,2)</sup>	OAB <sup>(2)</sup>	SAB <sup>(1,2)</sup>	DC
CP f	Compare (f – WREG)	1	1	—	—	—	—	—	—	↕
CP Wb, #lit5	Compare (Wb – lit5)	1	1	—	—	—	—	—	—	↕
CP Wb, #lit8	Compare (Wb – lit8)	1	1	—	—	—	—	—	—	↕
CP Wb, Ws	Compare (Wb – Ws)	1	1	—	—	—	—	—	—	↕
CP0 f	Compare (f – 0x0000)	1	1	—	—	—	—	—	—	1
CP0 Ws	Compare (Ws – 0x0000)	1	1	—	—	—	—	—	—	1
CPB f	Compare with borrow (f – WREG – $\bar{C}$ )	1	1	—	—	—	—	—	—	↕
CPB Wb, #lit5	Compare with borrow (Wb – lit5 – $\bar{C}$ )	1	1	—	—	—	—	—	—	↕
CPB Wb, #lit8	Compare with borrow (Wb – lit8 – $\bar{C}$ )	1	1	—	—	—	—	—	—	↕
CPB Wb, Ws	Compare with borrow (Wb – Ws – $\bar{C}$ )	1	1	—	—	—	—	—	—	↕
CPBEQ Wb, Wn, Expr <sup>(3)</sup>	Compare Wb with Wn, branch if =	1	1 (5)	—	—	—	—	—	—	—
CPBGT Wb, Wn, Expr <sup>(3)</sup>	Signed Compare Wb with Wn, branch if >	1	1 (5)	—	—	—	—	—	—	—
CPBLT Wb, Wn, Expr <sup>(3)</sup>	Signed Compare Wb with Wn, branch if <	1	1 (5)	—	—	—	—	—	—	—
CPBNE Wb, Wn, Expr <sup>(3)</sup>	Compare Wb with Wn, branch if ≠	1	1 (5)	—	—	—	—	—	—	—
CPSEQ Wb, Wn	Compare (Wb with Wn), skip if =	1	1 (2 or 3)	—	—	—	—	—	—	—
CPSGT Wb, Wn	Signed Compare (Wb with Wn), skip if >	1	1 (2 or 3)	—	—	—	—	—	—	—
CPSLT Wb, Wn	Signed Compare (Wb with Wn), skip if <	1	1 (2 or 3)	—	—	—	—	—	—	—
CPSNE Wb, Wn	Compare (Wb with Wn), skip if ≠	1	1 (2 or 3)	—	—	—	—	—	—	—
DAW.B Wn	Wn = decimal adjust Wn	1	1	—	—	—	—	—	—	—
DEC f {, WREG}	Destination = f – 1	1	1	—	—	—	—	—	—	↕
DEC Ws, Wd	Wd = Ws – 1	1	1	—	—	—	—	—	—	↕
DEC2 f {, WREG}	Destination = f – 2	1	1	—	—	—	—	—	—	↕
DEC2 Ws, Wd	Wd = Ws – 2	1	1	—	—	—	—	—	—	↕

**Legend:** ↕ set or cleared; ↓ may be cleared, but never set; ↑ may be set, but never cleared; '1' always set; '0' always cleared; — unchanged

**Note 1:** SA, SB and SAB are only modified if the corresponding saturation is enabled, otherwise unchanged.

**Note 2:** This instruction/operand is only available in dsPIC30F, dsPIC33F, and dsPIC33E devices.

**Note 3:** This instruction/operand is only available in PIC24E and dsPIC33E devices.

**Note 4:** This instruction/operand is only available in dsPIC33E devices.

**Note 5:** This instruction/operand is only available in PIC24F, PIC24H, dsPIC30F, and dsPIC33F devices.

**Note 6:** This instruction/operand is only available in dsPIC30F and dsPIC33F devices.

Table 7-2: Instruction Set Summary Table (Continued)

Assembly Syntax Mnemonic, Operands	Description	Words	Cycles	OA <sup>(2)</sup>	OB <sup>(2)</sup>	SA <sup>(1,2)</sup>	SB <sup>(1,2)</sup>	OAB <sup>(2)</sup>	SAB <sup>(1,2)</sup>	DC
DISI #lit14	Disable interrupts for lit14 instruction cycles	1	1	—	—	—	—	—	—	—
DIV.S Wm, Wn	Signed 16/16-bit integer divide, Q →W0, R →W1	1	18	—	—	—	—	—	—	—
DIV.SD Wm, Wn	Signed 32/16-bit integer divide, Q →W0, R →W1	1	18	—	—	—	—	—	—	—
DIV.U Wm, Wn	Unsigned 16/16-bit integer divide, Q →W0, R →W1	1	18	—	—	—	—	—	—	—
DIV.UD Wm, Wn	Unsigned 32/16-bit integer divide, Q →W0, R →W1	1	18	—	—	—	—	—	—	—
DIVF Wm, Wn <sup>(2)</sup>	Signed 16/16-bit fractional divide, Q →W0, R →W1	1	18	—	—	—	—	—	—	—
DO #lit14, Expr <sup>(6)</sup>	Do code to PC + Expr, (lit14 + 1) times	2	2	—	—	—	—	—	—	—
DO #lit15, Expr <sup>(4)</sup>	Do code to PC + Expr, (lit15 + 1) times	2	2	—	—	—	—	—	—	—
DO Wn, Expr <sup>(2)</sup>	Do code to PC + Expr, (Wn + 1) times	2	2	—	—	—	—	—	—	—
ED Wm*Wm, Acc, [Wx], [Wy], Wxd <sup>(2)</sup>	Euclidean distance (no accumulate)	1	1	⇕	⇕	↑	↑	⇕	↑	—
EDAC Wm*Wm, Acc, [Wx], [Wy], Wxd <sup>(2)</sup>	Euclidean distance	1	1	⇕	⇕	↑	↑	⇕	↑	—
EXCH Wns, Wnd	Swap Wns and Wnd	1	1	—	—	—	—	—	—	—
FBCL Ws, Wnd	Find bit change from left (MSb) side	1	1	—	—	—	—	—	—	—
FF1L Ws, Wnd	Find first one from left (MSb) side	1	1	—	—	—	—	—	—	—
FF1R Ws, Wnd	Find first one from right (LSb) side	1	1	—	—	—	—	—	—	—
GOTO Expr	Go to address	2	2	—	—	—	—	—	—	—
GOTO Wn	Go to address indirectly	1	2	—	—	—	—	—	—	—
GOTO.L Wn <sup>(3)</sup>	Go to address indirectly (long address)	1	4	—	—	—	—	—	—	—
INC f {, WREG}	Destination = f + 1	1	1	—	—	—	—	—	—	⇕
INC Ws, Wd	Wd = Ws + 1	1	1	—	—	—	—	—	—	⇕
INC2 f {, WREG}	Destination = f + 2	1	1	—	—	—	—	—	—	⇕
INC2 Ws, Wd	Wd = Ws + 2	1	1	—	—	—	—	—	—	⇕
IOR f {, WREG}	Destination = f .IOR. WREG	1	1	—	—	—	—	—	—	—
IOR #lit10, Wn	Wn = lit10 .IOR. Wn	1	1	—	—	—	—	—	—	—
IOR Wb, #lit5, Wd	Wd = Wb .IOR. lit5	1	1	—	—	—	—	—	—	—
IOR Wb, Ws, Wd	Wd = Wb .IOR. Ws	1	1	—	—	—	—	—	—	—
LAC Wso, #Slit4, Acc <sup>(2)</sup>	Load accumulator	1	1	⇕	⇕	↑	↑	⇕	↑	—

**Legend:** ⇕ set or cleared; ↓ may be cleared, but never set; ↑ may be set, but never cleared; '1' always set; '0' always cleared; — unchanged

- Note**
- 1: SA, SB and SAB are only modified if the corresponding saturation is enabled, otherwise unchanged.
  - 2: This instruction/operand is only available in dsPIC30F, dsPIC33F, and dsPIC33E devices.
  - 3: This instruction/operand is only available in PIC24E and dsPIC33E devices.
  - 4: This instruction/operand is only available in dsPIC33E devices.
  - 5: This instruction/operand is only available in PIC24F, PIC24H, dsPIC30F, and dsPIC33F devices.
  - 6: This instruction/operand is only available in dsPIC30F and dsPIC33F devices.

Table 7-2: Instruction Set Summary Table (Continued)

Assembly Syntax Mnemonic, Operands	Description	Words	Cycles	OA <sup>(2)</sup>	OB <sup>(2)</sup>	SA <sup>(1,2)</sup>	SB <sup>(1,2)</sup>	OAB <sup>(2)</sup>	SAB <sup>(1,2)</sup>	DC
LNK #lit14	Link Frame Pointer	1	1	—	—	—	—	—	—	—
LSR f {, WREG}	Destination = logical right shift f, MSb →C	1	1	—	—	—	—	—	—	—
LSR ws, wd	Wd = logical right shift ws, MSb →C	1	1	—	—	—	—	—	—	—
LSR wb, #lit4, wnd	Wnd = logical right shift wb by lit4, MSb →C	1	1	—	—	—	—	—	—	—
LSR wb, wns, wnd	Wnd = logical right shift wb by wns, MSb →C	1	1	—	—	—	—	—	—	—
MAC Wm*Wn, Acc, [Wx], Wxd, [Wy], Wxd, AWB <sup>(2)</sup>	Multiply and accumulate	1	1	⇕	⇕	↑	↑	⇕	↑	—
MAC Wm*Wm, Acc, [Wx], Wxd, [Wy], Wxd <sup>(2)</sup>	Square and accumulate	1	1	⇕	⇕	↑	↑	⇕	↑	—
MOV f {, WREG}	Move f to destination	1	1	—	—	—	—	—	—	—
MOV WREG, f	Move WREG to f	1	1	—	—	—	—	—	—	—
MOV f, Wnd	Move f to Wnd	1	1	—	—	—	—	—	—	—
MOV wns, f	Move wns to f	1	1	—	—	—	—	—	—	—
MOV.B #lit8, Wnd	Move 8-bit unsigned literal to Wnd	1	1	—	—	—	—	—	—	—
MOV #lit16, Wnd	Move 16-bit literal to Wnd	1	1	—	—	—	—	—	—	—
MOV [Ws+Slit10], Wnd	Move [Ws + Slit10] to Wnd	1	1	—	—	—	—	—	—	—
MOV wns, [Wd+Slit10]	Move wns to [Wd + Slit10]	1	1	—	—	—	—	—	—	—
MOV Wso, Wdo	Move Wso to Wdo	1	1	—	—	—	—	—	—	—
MOV.D Wns, Wnd	Move double Wns to Wnd:Wnd + 1	1	2	—	—	—	—	—	—	—
MOV.D Wns, Wnd	Move double Wns:Wns + 1 to Wnd	1	2	—	—	—	—	—	—	—
MOV.PAG #lit10, DSRPAG <sup>(3)</sup>	Move 10-bit literal to DSRPAG	1	1	—	—	—	—	—	—	—
MOV.PAG #lit9, DSWPAG <sup>(3)</sup>	Move 9-bit literal to DSWPAG	1	1	—	—	—	—	—	—	—
MOV.PAG #lit8, TBLPAG <sup>(3)</sup>	Move 8-bit literal to TBLPAG	1	1	—	—	—	—	—	—	—
MOV.PAG Wn, DSRPAG <sup>(3)</sup>	Move Wn to DSRPAG	1	1	—	—	—	—	—	—	—
MOV.PAG Wn, DSWPAG <sup>(3)</sup>	Move Wn to DSWPAG	1	1	—	—	—	—	—	—	—
MOV.PAG Wn, TBLPAG <sup>(3)</sup>	Move Wn to TBLPAG	1	1	—	—	—	—	—	—	—
MOVSAC Acc, [Wx], Wxd, [Wy], Wxd, AWB <sup>(2)</sup>	Move [Wx] to Wxd, and [Wy] to Wxd	1	1	—	—	—	—	—	—	—
MPY Wm*Wn, Acc, [Wx], Wxd, [Wy], Wxd <sup>(2)</sup>	Multiply Wn by Wm to accumulator	1	1	⇕	⇕	↑	↑	⇕	↑	—

**Legend:** ⇕ set or cleared; ⇓ may be cleared, but never set; ⇑ may be set, but never cleared; '1' always set; '0' always cleared; — unchanged

- Note**
- 1: SA, SB and SAB are only modified if the corresponding saturation is enabled, otherwise unchanged.
  - 2: This instruction/operand is only available in dsPIC30F, dsPIC33F, and dsPIC33E devices.
  - 3: This instruction/operand is only available in PIC24E and dsPIC33E devices.
  - 4: This instruction/operand is only available in dsPIC33E devices.
  - 5: This instruction/operand is only available in PIC24F, PIC24H, dsPIC30F, and dsPIC33F devices.
  - 6: This instruction/operand is only available in dsPIC30F and dsPIC33F devices.

Table 7-2: Instruction Set Summary Table (Continued)

Assembly Syntax Mnemonic, Operands	Description	Words	Cycles	OA <sup>(2)</sup>	OB <sup>(2)</sup>	SA <sup>(1,2)</sup>	SB <sup>(1,2)</sup>	OAB <sup>(2)</sup>	SAB <sup>(1,2)</sup>	DC
MPY $Wm * Wm, Acc, [Wx], Wxd, [Wy], Wzd^{(2)}$	Square to accumulator	1	1	↕	↕	↑	↑	↕	↑	—
MPY.N $Wm * Wn, Acc, [Wx], Wxd, [Wy], Wzd^{(2)}$	-(Multiply Wn by Wm) to accumulator	1	1	0	0	—	—	0	—	—
MSC $Wm * Wn, Acc, [Wx], Wxd, [Wy], Wzd, AWB^{(2)}$	Multiply and subtract from accumulator	1	1	↕	↕	↑	↑	↕	↑	—
MUL $f$	W3:W2 = $f * WREG$	1	1	—	—	—	—	—	—	—
MUL.SS $Wb, Ws, Wnd$	{Wnd + 1, Wnd} = signed(Wb) * signed(Ws)	1	1	—	—	—	—	—	—	—
MUL.SS $Wb, Ws, Acc^{(4)}$	Accumulator = signed(Wb) * signed(Ws)	1	1	—	—	—	—	—	—	—
MUL.SU $Wb, \#lit5, Wnd$	{Wnd + 1, Wnd} = signed(Wb) * unsigned(lit5)	1	1	—	—	—	—	—	—	—
MUL.SU $Wb, Ws, Wnd$	{Wnd + 1, Wnd} = signed(Wb) * unsigned(Ws)	1	1	—	—	—	—	—	—	—
MUL.SU $Wb, Ws, Acc^{(4)}$	Accumulator = signed(Wb) * unsigned(Ws)	1	1	—	—	—	—	—	—	—
MUL.SU $Wb, \#lit5, Acc^{(4)}$	Accumulator = signed(Wb) * unsigned(lit5)	1	1	—	—	—	—	—	—	—
MUL.US $Wb, Ws, Wnd$	{Wnd + 1, Wnd} = unsigned(Wb) * signed(Ws)	1	1	—	—	—	—	—	—	—
MUL.US $Wb, Ws, Acc^{(4)}$	Accumulator = unsigned(Wb) * signed(Ws)	1	1	—	—	—	—	—	—	—
MUL.UU $Wb, \#lit5, Wnd$	{Wnd + 1, Wnd} = unsigned(Wb) * unsigned(lit5)	1	1	—	—	—	—	—	—	—
MUL.UU $Wb, Ws, Wnd$	{Wnd + 1, Wnd} = unsigned(Wb) * unsigned(Ws)	1	1	—	—	—	—	—	—	—
MUL.UU $Wb, Ws, Acc^{(4)}$	Accumulator = unsigned(Wb) * unsigned(Ws)	1	1	—	—	—	—	—	—	—
MUL.UU $Wb, \#lit5, Acc^{(4)}$	Accumulator = unsigned(Wb) * unsigned(lit5)	1	1	—	—	—	—	—	—	—
MULW.SS $Wb, Ws, Wnd^{(3)}$	Wnd = signed(Wb) * signed(Ws)	1	1	—	—	—	—	—	—	—
MULW.SU $Wb, Ws, Wnd^{(3)}$	Wnd = signed(Wb) * unsigned(Ws)	1	1	—	—	—	—	—	—	—
MULW.SU $Wb, \#lit5, Wnd^{(3)}$	Wnd = signed(Wb) * unsigned(lit5)	1	1	—	—	—	—	—	—	—
MULW.US $Wb, Ws, Wnd^{(3)}$	Wnd = unsigned(Wb) * signed(Ws)	1	1	—	—	—	—	—	—	—
MULW.UU $Wb, Ws, Wnd^{(3)}$	Wnd = unsigned(Wb) * unsigned(Ws)	1	1	—	—	—	—	—	—	—
MULW.UU $Wb, \#lit5, Wnd^{(3)}$	Wnd = unsigned(Wb) * unsigned(lit5)	1	1	—	—	—	—	—	—	—
NEG $f \{, WREG\}$	Destination = $\bar{f} + 1$	1	1	—	—	—	—	—	—	↕
NEG $Ws, Wd$	Wd = $\bar{Ws} + 1$	1	1	—	—	—	—	—	—	↕
NEG $Acc^{(2)}$	Negate accumulator	1	1	↕	↕	↑	↑	↕	↑	—
NOP	No operation	1	1	—	—	—	—	—	—	—

**Legend:** ↕ set or cleared; ↘ may be cleared, but never set; ↑ may be set, but never cleared; '1' always set; '0' always cleared; — unchanged

**Note 1:** SA, SB and SAB are only modified if the corresponding saturation is enabled, otherwise unchanged.

**Note 2:** This instruction/operand is only available in dsPIC30F, dsPIC33F, and dsPIC33E devices.

**Note 3:** This instruction/operand is only available in PIC24E and dsPIC33E devices.

**Note 4:** This instruction/operand is only available in dsPIC33E devices.

**Note 5:** This instruction/operand is only available in PIC24F, PIC24H, dsPIC30F, and dsPIC33F devices.

**Note 6:** This instruction/operand is only available in dsPIC30F and dsPIC33F devices.

Table 7-2: Instruction Set Summary Table (Continued)

Assembly Syntax Mnemonic, Operands	Description	Words	Cycles	OA <sup>(2)</sup>	OB <sup>(2)</sup>	SA <sup>(1,2)</sup>	SB <sup>(1,2)</sup>	OAB <sup>(2)</sup>	SAB <sup>(1,2)</sup>	DC
NOPR	No operation	1	1	—	—	—	—	—	—	—
POP f	POP TOS to f	1	1	—	—	—	—	—	—	—
POP Wdo	POP TOS to Wdo	1	1	—	—	—	—	—	—	—
POP.D Wnd	POP double from TOS to Wnd:Wnd + 1	1	2	—	—	—	—	—	—	—
POP.S	POP shadow registers	1	1	—	—	—	—	—	—	↕
PUSH f	PUSH f to TOS	1	1	—	—	—	—	—	—	—
PUSH Wso	PUSH Wso to TOS	1	1	—	—	—	—	—	—	—
PUSH.D Wns	PUSH double Wns:Wns + 1 to TOS	1	2	—	—	—	—	—	—	—
PUSH.S	PUSH shadow registers	1	1	—	—	—	—	—	—	—
PWRSV #lit1	Enter Power-saving mode	1	1	—	—	—	—	—	—	—
RCALL Expr	Relative call	1	2	—	—	—	—	—	—	—
RCALL Wn	Computed call	1	2	—	—	—	—	—	—	—
REPEAT #lit14 <sup>(5)</sup>	Repeat next instruction (lit14 + 1) times	1	1	—	—	—	—	—	—	—
REPEAT #lit15 <sup>(3)</sup>	Repeat next instruction (lit15 + 1) times	1	1	—	—	—	—	—	—	—
REPEAT Wn	Repeat next instruction (Wn + 1) times	1	1	—	—	—	—	—	—	—
RESET	Software device Reset	1	1	—	—	—	—	—	—	—
RETFIE	Return from interrupt enable	1	3 (2)	—	—	—	—	—	—	—
RETLW #lit10, Wn	Return with lit10 in Wn	1	3 (2)	—	—	—	—	—	—	—
RETURN	Return from subroutine	1	3 (2)	—	—	—	—	—	—	—
RLC f {, WREG}	Destination = rotate left through Carry f	1	1	—	—	—	—	—	—	—
RLC Ws, Wd	Wd = rotate left through Carry Ws	1	1	—	—	—	—	—	—	—
RLNC f {, WREG}	Destination = rotate left (no Carry) f	1	1	—	—	—	—	—	—	—
RLNC Ws, Wd	Wd = rotate left (no Carry) Ws	1	1	—	—	—	—	—	—	—
RRC f {, WREG}	Destination = rotate right through Carry f	1	1	—	—	—	—	—	—	—
RRC Ws, Wd	Wd = rotate right through Carry Ws	1	1	—	—	—	—	—	—	—
RRNC f {, WREG}	Destination = rotate right (no Carry) f	1	1	—	—	—	—	—	—	—
RRNC Ws, Wd	Wd = rotate right (no Carry) Ws	1	1	—	—	—	—	—	—	—
SAC Acc, #Slit4, Wdo <sup>(2)</sup>	Store accumulator	1	1	—	—	—	—	—	—	—

**Legend:** ↕ set or cleared; ↘ may be cleared, but never set; ↗ may be set, but never cleared; '1' always set; '0' always cleared; — unchanged

- Note**
- 1: SA, SB and SAB are only modified if the corresponding saturation is enabled, otherwise unchanged.
  - 2: This instruction/operand is only available in dsPIC30F, dsPIC33F, and dsPIC33E devices.
  - 3: This instruction/operand is only available in PIC24E and dsPIC33E devices.
  - 4: This instruction/operand is only available in dsPIC33E devices.
  - 5: This instruction/operand is only available in PIC24F, PIC24H, dsPIC30F, and dsPIC33F devices.
  - 6: This instruction/operand is only available in dsPIC30F and dsPIC33F devices.

**Table 7-2: Instruction Set Summary Table (Continued)**

Assembly Syntax Mnemonic, Operands	Description	Words	Cycles	OA <sup>(2)</sup>	OB <sup>(2)</sup>	SA <sup>(1,2)</sup>	SB <sup>(1,2)</sup>	OAB <sup>(2)</sup>	SAB <sup>(1,2)</sup>	DC
SAC.R Acc, #Slit4, Wdo <sup>(2)</sup>	Store rounded Accumulator	1	1	—	—	—	—	—	—	—
SE Ws, Wd	Wd = sign-extended Ws	1	1	—	—	—	—	—	—	—
SETM f	f = 0xFFFF	1	1	—	—	—	—	—	—	—
SETM WREG	WREG = 0xFFFF	1	1	—	—	—	—	—	—	—
SETM Wd	Wd = 0xFFFF	1	1	—	—	—	—	—	—	—
SFTAC Acc, #Slit6 <sup>(2)</sup>	Arithmetic shift accumulator by Slit6	1	1	⇕	⇕	↑	↑	⇕	↑	—
SFTAC Acc, Wb <sup>(2)</sup>	Arithmetic shift accumulator by (Wb)	1	1	⇕	⇕	↑	↑	⇕	↑	—
SL f {, WREG}	Destination = arithmetic left shift f	1	1	—	—	—	—	—	—	—
SL Ws, Wd	Wd = arithmetic left shift Ws	1	1	—	—	—	—	—	—	—
SL Wb, #lit4, Wnd	Wnd = left shift Wb by lit4	1	1	—	—	—	—	—	—	—
SL Wb, Wns, Wnd	Wnd = left shift Wb by Wns	1	1	—	—	—	—	—	—	—
SUB f {, WREG}	Destination = f - WREG	1	1	—	—	—	—	—	—	⇕
SUB #lit10, Wn	Wn = Wn - lit10	1	1	—	—	—	—	—	—	⇕
SUB Wb, #lit5, Wd	Wd = Wb - lit5	1	1	—	—	—	—	—	—	⇕
SUB Wb, Ws, Wd	Wd = Wb - Ws	1	1	—	—	—	—	—	—	⇕
SUB Acc <sup>(2)</sup>	Subtract accumulators	1	1	⇕	⇕	↑	↑	⇕	↑	—
SUBB f {, WREG}	destination = f - WREG - (C)	1	1	—	—	—	—	—	—	⇕
SUBB #lit10, Wn	Wn = Wn - lit10 - (C)	1	1	—	—	—	—	—	—	⇕
SUBB Wb, #lit5, Wd	Wd = Wb - lit5 - (C)	1	1	—	—	—	—	—	—	⇕
SUBB Wb, Ws, Wd	Wd = Wb - Ws - (C)	1	1	—	—	—	—	—	—	⇕
SUBBR f {, WREG}	Destination = WREG - f - (C)	1	1	—	—	—	—	—	—	⇕
SUBBR Wb, #lit5, Wd	Wd = lit5 - Wb - (C)	1	1	—	—	—	—	—	—	⇕
SUBBR Wb, Ws, Wd	Wd = Ws - Wb - (C)	1	1	—	—	—	—	—	—	⇕
SUBR f {, WREG}	Destination = WREG - f	1	1	—	—	—	—	—	—	⇕
SUBR Wb, #lit5, Wd	Wd = lit5 - Wb	1	1	—	—	—	—	—	—	⇕
SUBR Wb, Ws, Wd	Wd = Ws - Wb	1	1	—	—	—	—	—	—	⇕
SWAP Wn	Wn = byte or nibble swap Wn	1	1	—	—	—	—	—	—	—

**Legend:** ⇕ set or cleared; ⇓ may be cleared, but never set; ↑ may be set, but never cleared; '1' always set; '0' always cleared; — unchanged

**Note 1:** SA, SB and SAB are only modified if the corresponding saturation is enabled, otherwise unchanged.

**2:** This instruction/operand is only available in dsPIC30F, dsPIC33F, and dsPIC33E devices.

**3:** This instruction/operand is only available in PIC24E and dsPIC33E devices.

**4:** This instruction/operand is only available in dsPIC33E devices.

**5:** This instruction/operand is only available in PIC24F, PIC24H, dsPIC30F, and dsPIC33F devices.

**6:** This instruction/operand is only available in dsPIC30F and dsPIC33F devices.

**Table 7-2: Instruction Set Summary Table (Continued)**

Assembly Syntax Mnemonic, Operands	Description	Words	Cycles	OA <sup>(2)</sup>	OB <sup>(2)</sup>	SA <sup>(1,2)</sup>	SB <sup>(1,2)</sup>	OAB <sup>(2)</sup>	SAB <sup>(1,2)</sup>	DC
TBLRDH [Ws], Wd	Read high program word to Wd	1	2	—	—	—	—	—	—	—
TBLRDL [Ws], Wd	Read low program word to Wd	1	2	—	—	—	—	—	—	—
TBLWTH Ws, [Wd]	Write Ws to high program word	1	2	—	—	—	—	—	—	—
TBLWTL Ws, [Wd]	Write Ws to low program word	1	2	—	—	—	—	—	—	—
ULNK	Unlink Frame Pointer	1	1	—	—	—	—	—	—	—
XOR f {, WREG}	Destination = f .XOR. WREG	1	1	—	—	—	—	—	—	—
XOR #lit10, Wn	Wn = lit10 .XOR. Wn	1	1	—	—	—	—	—	—	—
XOR Wb, #lit5, Wd	Wd = Wb .XOR. lit5	1	1	—	—	—	—	—	—	—
XOR Wb, Ws, Wd	Wd = Wb .XOR. Ws	1	1	—	—	—	—	—	—	—
ZE Ws, Wnd	Wnd = zero-extended Ws	1	1	—	—	—	—	—	—	—

**Legend:**  $\hat{\downarrow}$  set or cleared;  $\hat{\downarrow}$  may be cleared, but never set;  $\hat{\uparrow}$  may be set, but never cleared; '1' always set; '0' always cleared; — unchanged

**Note 1:** SA, SB and SAB are only modified if the corresponding saturation is enabled, otherwise unchanged.

**2:** This instruction/operand is only available in dsPIC30F, dsPIC33F, and dsPIC33E devices.

**3:** This instruction/operand is only available in PIC24E and dsPIC33E devices.

**4:** This instruction/operand is only available in dsPIC33E devices.

**5:** This instruction/operand is only available in PIC24F, PIC24H, dsPIC30F, and dsPIC33F devices.

**6:** This instruction/operand is only available in dsPIC30F and dsPIC33F devices.

## 7.3 REVISION HISTORY

### Revision A (May 2005)

This is the initial release of this document.

### Revision B (September 2005)

This revision incorporates all known errata at the time of this document update.

### Revision C (February 2008)

This revision includes the following corrections and updates:

- Instruction Updates:
  - Updated BRA Instruction (see ["BRA"](#))
  - Updated DIVF Instruction (see ["DIVF"](#))
  - Updated DO Instruction (see ["DO"](#))
  - Updated SUB instruction (see ["SUB"](#))

### Revision D (November 2009)

This revision includes the following corrections and updates:

- Document renamed from dsPIC30F/33F Programmer's Reference Manual to 16-bit MCU and DSC Programmer's Reference Manual
- Document has been completely redesigned to accommodate all current 16-bit families: dsPIC30F, dsPIC33F, PIC24F and PIC24H

### Revision E (June 2010)

This revision includes the following corrections and updates:

- Information specific to dsPIC33E and PIC24E devices has been added throughout the document

### Revision F (July 2011)

This revision includes the following corrections and updates:

- Added a new section ["Built-in Functions"](#)
- Added and updated the cross-references throughout the document
- Updated the bit characteristics from U to U-0 in [Register 2-4](#) and [Register 2-6](#)
- Added a note throughout the document specifying the requirement of an additional cycle for read and read-modify-write operations on non-CPU special function registers in dsPIC33E and PIC24E devices
- Updates to formatting and minor text changes were incorporated throughout the document



## INDEX

## Symbols

__builtin_addab.....	447
__builtin_btg.....	447, 448
__builtin_divmodud.....	454
__builtin_divsd.....	454
__builtin_edsoffset.....	458
__builtin_edspage.....	458
__builtin_mac.....	460
__builtin_modsd.....	462
__builtin_modud.....	462
__builtin_mpy.....	464
__builtin_mpyn.....	465
__builtin_mulss.....	468
__builtin_muluu.....	469
__builtin_nop.....	470
__builtin_psvoffset.....	470
__builtin_sac.....	472
__builtin_subab.....	475
__builtin_tbladdress.....	475
__builtin_tblwth.....	478
__builtin_tblwtl.....	479

## A

Accumulator A, Accumulator B.....	19
Accumulator Access.....	84
Accumulator Selection.....	97
Accumulator Usage.....	83
Addressing Modes for Wd Destination Register.....	95
Addressing Modes for Ws Source Register.....	95
Assigned Working Register Usage.....	78

## B

## Built-In Functions

__builtin_addab.....	447
__builtin_btg.....	447, 448
__builtin_divmodud.....	454
__builtin_divsd.....	454
__builtin_edsoffset.....	458
__builtin_edspage.....	458
__builtin_mac.....	460
__builtin_modsd.....	462
__builtin_modud.....	462
__builtin_mpy.....	464
__builtin_mpyn.....	465
__builtin_mulss.....	468
__builtin_muluu.....	469
__builtin_nop.....	470
__builtin_psvoffset.....	470
__builtin_sac.....	472
__builtin_subab.....	475
__builtin_tbladdress.....	475
__builtin_tblwth.....	478
__builtin_tblwtl.....	479

Byte Operations.....	64
----------------------	----

## C

## Code Examples

'Z' Status bit Operation for 32-bit Addition.....	77
Base MAC Syntax.....	85
File Register Addressing.....	53
File Register Addressing and WREG.....	53
Frame Pointer Usage.....	73
Illegal Word Move Operations.....	68

Immediate Addressing.....	59
Indirect Addressing with Effective Address Update.....	55
Indirect Addressing with Register Offset.....	56
Legal Word Move Operations.....	67
MAC Accumulator WB Syntax.....	87
MAC Prefetch Syntax.....	86
Move with Literal Offset Instructions.....	56
MSC Instruction with Two Prefetches and Accumulator Write Back.....	87
Normalizing with FBCL.....	90
Register Direct Addressing.....	54
Sample Byte Math Operations.....	65
Sample Byte Move Operations.....	64
Scaling with FBCL.....	89
Stack Pointer Usage.....	71
Unsigned f and WREG Multiply (Legacy MULWF Instruction).....	80
Using 10-bit Literals for Byte Operands.....	69
Using the Default Working Register WREG.....	79
Conditional Branch Instructions.....	76
Core Control Register.....	24

## D

Data Addressing Mode Tree.....	59
Data Addressing Modes.....	52
DCOUNT Register.....	20
Default Working Register (WREG).....	18, 79
Development Support.....	6
DOEND Register.....	21
DOSTART Register.....	20
DSP Accumulator Instructions.....	88
DSP Data Formats.....	81
DSP MAC Indirect Addressing Modes.....	57
DSP MAC Instructions.....	84

## F

File Register Addressing.....	52
-------------------------------	----

## I

Immediate Addressing.....	58
Operands in the Instruction Set.....	58
Implied DSP Operands.....	78
Implied Frame and Stack Pointer.....	78
Instruction Bit Map.....	484
Instruction Description Example.....	98
Instruction Descriptions.....	99
ADD (16-bit Signed Add to Accumulator).....	104
ADD (Add Accumulators).....	103
ADD (Add f to WREG).....	99
ADD (Add Literal to Wn).....	100
ADD (Add Wb to Short Literal).....	101
ADD (Add Wb to Ws).....	102
ADDC (Add f to WREG with Carry).....	106
ADDC (Add Literal to Wn with Carry).....	107
ADDC (Add Wb to Short Literal with Carry).....	108
ADDC (Add Wb to Ws with Carry).....	110
AND (AND f and WREG).....	112
AND (AND Literal and Wn).....	113
AND (AND Wb and Short Literal).....	114
AND (AND Wb and Ws).....	115
ASR (Arithmetic Shift Right by Short Literal).....	121
ASR (Arithmetic Shift Right by Wns).....	122
ASR (Arithmetic Shift Right f).....	117
ASR (Arithmetic Shift Right Ws).....	119

# 16-bit MCU and DSC Programmer's Reference Manual

BCLR (Bit Clear in Ws) .....	124	CPSGT (Signed Compare Wb with Wn, Skip if Greater Than) .....	210
BCLR.B (Bit Clear f) .....	123	CPSGT (Signed Compare Wb with Wn, Skip if Greater Than) .....	211
BRA (Branch Unconditionally) .....	126	CPSLT (Signed Compare Wb with Wn, Skip if Less Than) .....	212, 213
BRA (Computed Branch) .....	128, 129	CPSNE (Signed Compare Wb with Wn, Skip if Not Equal) .....	214, 215
BRA C (Branch if Carry) .....	130	DAW.B (Decimal Adjust Wn) .....	216
BRA GE (Branch if Signed Greater Than or Equal) ..	132	DEC (Decrement f) .....	217
BRA GEU (Branch if Unsigned Greater Than or Equal) .....	134	DEC (Decrement Ws) .....	218
BRA GT (Branch if Signed Greater Than) .....	135	DEC2 (Decrement f by 2) .....	220
BRA GTU (Branch if Unsigned Greater Than) .....	136	DEC2 (Decrement Ws by 2) .....	221
BRA LE (Branch if Signed Less Than or Equal) .....	137	DISI (Disable Interrupts Temporarily) .....	223
BRA LEU (Branch if Unsigned Less Than or Equal) ..	138	DIV.S (Signed Integer Divide) .....	224
BRA LT (Branch if Signed Less Than) .....	139	DIV.U (Unsigned Integer Divide) .....	226
BRA LTU (Branch if Not Carry) .....	142	DIVF (Fractional Divide) .....	228
BRA LTU (Branch if Unsigned Less Than) .....	140	DO (Initialize Hardware Loop Literal) .....	230, 233
BRA N (Branch if Negative) .....	141	DO (Initialize Hardware Loop Wn) .....	235, 237
BRA NN (Branch if Not Negative) .....	143	ED (Euclidean Distance, No Accumulate) .....	239
BRA NOV (Branch if Not Overflow) .....	144	EDAC (Euclidean Distance) .....	241
BRA NZ (Branch if Not Zero) .....	145	EXCH (Exchange Wns and Wnd) .....	243
BRA OA (Branch if Overflow Accumulator A) .....	146	FBCL (Find First Bit Change from Left) .....	244
BRA OB (Branch if Overflow Accumulator B) .....	147	FF1L (Find First One from Left) .....	246
BRA OV (Branch if Overflow) .....	148	FF1R (Find First One from Right) .....	248
BRA SA (Branch if Saturation Accumulator A) .....	149	GOTO (Unconditional Indirect Jump) .....	251, 252
BRA SB (Branch if Saturation Accumulator B) .....	150	GOTO (Unconditional Jump) .....	250
BRA Z (Branch if Zero) .....	151	GOTO.L (Unconditional Indirect Jump Long) .....	253
BSET (Bit Set f) .....	152	INC (Increment f) .....	254
BSET (Bit Set in Ws) .....	153	INC (Increment Ws) .....	255
BSW (Bit Write in Ws) .....	155	INC2 (Increment f by 2) .....	257
BTG (Bit Toggle f) .....	157	INC2 (Increment Ws by 2) .....	258
BTG (Bit Toggle in Ws) .....	158	IOR (Inclusive OR f and WREG) .....	260
BTSC (Bit Test f, Skip if Clear) .....	160	IOR (Inclusive OR Literal and Wn) .....	261
BTSC (Bit Test Ws, Skip if Clear) .....	162	IOR (Inclusive OR Wb and Short Literal) .....	262
BTSS (Bit Test f, Skip if Set) .....	164	IOR (Inclusive OR Wb and Ws) .....	263
BTSS (Bit Test Ws, Skip if Set) .....	166	LAC (Load Accumulator) .....	265
BTST (Bit Test f) .....	168	LNK (Allocate Stack Frame) .....	267, 268
BTST (Bit Test in Ws) .....	169, 171	LSR (Logical Shift Right by Short Literal) .....	273
BTSTS (Bit Test/Set f) .....	173	LSR (Logical Shift Right by Wns) .....	274
BTSTS (Bit Test/Set in Ws) .....	175	LSR (Logical Shift Right f) .....	269
CALL (Call Indirect Subroutine) .....	180, 181	LSR (Logical Shift Right Ws) .....	271
CALL (Call Subroutine) .....	177, 178	MAC (Multiply and Accumulate) .....	275
CALL.L (Call Indirect Subroutine Long) .....	183	MAC (Square and Accumulate) .....	277
CBSLT (Signed Compare Wb with Wn, Branch if Less Than) .....	205	MOV (Move 16-bit Literal to Wn) .....	284
CLR (Clear Accumulator, Prefetch Operands) .....	186	MOV (Move f to Destination) .....	279
CLR (Clear f or WREG) .....	184	MOV (Move f to Wnd) .....	281
CLR (Clear Wd) .....	185	MOV (Move Wns to [Wd with offset]) .....	286
CLRWDT (Clear Watchdog Timer) .....	188	MOV (Move Wns to f) .....	282
COM (Complement f) .....	189	MOV (Move WREG to f) .....	280
COM (Complement Ws) .....	190	MOV (Move Ws to Wd) .....	287
CP (Compare f with WREG, Set Status Flags) .....	191	MOV (Move Ws with offset to Wnd) .....	285
CP (Compare Wb with lit5, Set Status Flags) .....	192	MOV.B (Move 8-bit Literal to Wnd) .....	283
CP (Compare Wb with lit8, Set Status Flags) .....	193	MOV.D (Double-Word Move from Source to Wnd) ..	289
CP (Compare Wb with Ws, Set Status Flags) .....	194	MOV.PAG (Move Literal to Page Register) .....	291
CP0 (Compare f with 0x0, Set Status Flags) .....	196	MOV.PAG (Move Ws to Page Register) .....	292
CP0 (Compare Ws with 0x0, Set Status Flags) .....	197	MOV.SAC (Prefetch Operands and Store Accumulator) .....	293
CPB (Compare f with WREG using Borrow, Set Status Flags) .....	198	MPY (Multiply Wm by Wn to Accumulator) .....	295
CPB (Compare Wb with lit5 using Borrow, Set Status Flags) .....	199, 200	MPY (Square to Accumulator) .....	297
CPB (Compare Ws with Wb using Borrow, Set Status Flags) .....	201	MPY.N (Multiply -Wm by Wn to Accumulator) .....	299
CPBEQ (Compare Wb with Wn, Branch if Equal) .....	203	MSC (Multiply and Subtract from Accumulator) .....	301
CPBGT (Signed Compare Wb with Wn, Branch if Greater Than) .....	204	MUL (Integer Unsigned Multiply f and WREG) .....	303
CPBNE (Signed Compare Wb with Wn, Branch if Not Equal) .....	206	MUL.SS (Integer 16x16-bit Signed Multiply with Accumulator Destination) .....	307
CPSEQ (Compare Wb with Wn, Skip if Equal) ..	207, 208	MUL.SS (Integer 16x16-bit Signed Multiply) .....	305

MUL.SU (Integer 16x16-bit Signed-Unsigned Multiply with Accumulator Destination) .....	312	SETM (Set f or WREG) .....	395
MUL.SU (Integer 16x16-bit Signed-Unsigned Multiply)310		SETM (Set Ws).....	396
MUL.SU (Integer 16x16-bit Signed-Unsigned Short Literal Multiply with Accumulator Destination) ..	314	SFTAC (Arithmetic Shift Accumulator by Slit5) .....	397
MUL.SU (Integer 16x16-bit Signed-Unsigned Short Literal Multiply) .....	308	SFTAC (Arithmetic Shift Accumulator by Wb) .....	398
MUL.US (Integer 16x16-bit Signed-Unsigned Multiply with Accumulator Destination) .....	317	SL (Shift Left by Short Literal) .....	403
MUL.US (Integer 16x16-bit Unsigned-Signed Multiply) .....	315	SL (Shift Left by Wns).....	404
MUL.UU (Integer 16x16-bit Unsigned Multiply /with Accumulator Destination).....	322	SL (Shift Left f).....	399
MUL.UU (Integer 16x16-bit Unsigned Multiply) .....	320	SL (Shift Left Ws) .....	401
MUL.UU (Integer 16x16-bit Unsigned Short Literal Multiply with Accumulator Destination) .....	323	SUB (Subtract Accumulators).....	410
MUL.UU (Integer 16x16-bit Unsigned Short Literal Multiply) .....	319	SUB (Subtract Literal from Wn) .....	406
MULW.SS (Integer 16x16-bit Signed Multiply with 16-bit Result) .....	324	SUB (Subtract Short Literal from Wb) .....	407
MULW.SU (Integer 16x16-bit Signed-Unsigned Multiply with 16-bit Result) .....	326	SUB (Subtract WREG from f) .....	405
MULW.SU (Integer 16x16-bit Signed-Unsigned Short Literal Multiply with 16-bit Result) .....	328	SUB (Subtract Ws from Wb).....	408
MULW.US (Integer 16x16-bit Unsigned-Signed Multiply with 16-bit Result) .....	329	SUBB (Subtract Short Literal from Wb with Borrow) .....	413
MULW.UU (Integer 16x16-bit Unsigned Multiply with 16-bit Result) .....	331	SUBB (Subtract Wn from Literal with Borrow) .....	412
MULW.UU (Integer 16x16-bit Unsigned Short Literal Multiply with 16-bit Result) .....	332	SUBB (Subtract WREG and Carry bit from f) .....	411
NEG (Negate Accumulator) .....	335	SUBB (Subtract Ws from Wb with Borrow) .....	415
NEG (Negate f) .....	333	SUBBR (Subtract f from WREG with Borrow) .....	417
NEG (Negate Ws) .....	333	SUBBR (Subtract Wb from Short Literal with Borrow).....	418
NOP (No Operation) .....	336	SUBBR (Subtract Wb from Ws with Borrow) .....	420
NOPR (No Operation).....	336	SUBR (Subtract f from WREG) .....	422
POP (Pop TOS to f) .....	337	SUBR (Subtract Wb from Short Literal) .....	423
POP (Pop TOS to Wd).....	338	SUBR (Subtract Wb from Ws) .....	424
POP.D (Double Pop TOS to Wnd/ Wnd+1) .....	339	SWAP (Byte or Nibble Swap Wn).....	426
POP.S (Pop Shadow Registers) .....	340	TBLRDH (Table Read High) .....	427
PUSH (Push f to TOS) .....	341	TBLRDL (Table Read Low) .....	429
PUSH (Push Ws to TOS).....	342	TBLWTH (Table Write High).....	431
PUSH.D (Double Push Wns/ Wns+1 to TOS) .....	343	TBLWTL (Table Write Low) .....	433
PUSH.S (Push Shadow Registers).....	345	ULNK (De-allocate Stack Frame) .....	435, 436
PWRSV (Enter Power Saving Mode) .....	346	XOR (Exclusive OR f and WREG).....	437
RCALL (Computed Relative Call) .....	351, 353	XOR (Exclusive OR Literal and Wn).....	438
RCALL (Relative Call).....	347, 349	XOR (Exclusive OR Wb and Short Literal) .....	439
REPEAT (Repeat Next Instruction 'lit14 + 1' Times) .	355	XOR (Exclusive OR Wb and Ws) .....	440
REPEAT (Repeat Next Instruction 'lit15 + 1' Times) .	357	ZE (Zero-Extend Wn) .....	442
REPEAT (Repeat Next Instruction Wn + 1 Times)359, 361		Instruction Encoding Field Descriptors Introduction .....	94
RESET (Reset) .....	363	Instruction Set Overview .....	38
RETFIE (Return from Interrupt) .....	365, 366	Bit Instructions .....	45
RETLW (Return with Literal in Wn).....	367, 369	Compare/Skip Instructions .....	46
RETURN (Return).....	371, 372	Control Instructions.....	49
RLC (Rotate Left f through Carry).....	373	DSP Instructions .....	50
RLC (Rotate Left Ws through Carry).....	375	dsPIC30F/33F Instruction Groups .....	38
RLNC (Rotate Left f without Carry) .....	377	Logic Instructions.....	43
RLNC (Rotate Left Ws without Carry) .....	379	Math Instructions .....	41
RRC (Rotate Right f through Carry).....	381	Move Instructions .....	40
RRC (Rotate Right Ws through Carry).....	383	Program Flow Instructions .....	47
RRNC (Rotate Right f without Carry) .....	385	Rotate/Shift Instructions .....	44
RRNC (Rotate Right Ws without Carry).....	387	Shadow/Stack Instructions .....	49
SAC (Store Accumulator).....	389	Instruction Set Summary Table .....	486
SAC.R (Store Rounded Accumulator) .....	391	Instruction Set Symbols .....	8
SE (Sign-Extend Ws) .....	393	(text) .....	8
		[text].....	8
		{ } .....	8
		{label;}.....	8
		#text .....	8
		<n:m> .....	8
		Acc.....	8
		AWB .....	8
		bit4.....	8
		Expr .....	8
		f .....	8
		lit1 .....	8
		lit10 .....	8
		lit14 .....	8
		lit16 .....	8
		lit23 .....	8
		lit4 .....	8

# 16-bit MCU and DSC Programmer's Reference Manual

lit5 .....	8	Program Counter .....	19
lit8 .....	8	Programmer's Model .....	14
Slit10 .....	8	Register Descriptions.....	18
Slit16 .....	8	PSVPAG Register.....	19
Slit4 .....	8	<b>R</b>	
Slit5 .....	8	RCOUNT Register .....	20
TOS.....	8	Register Direct Addressing .....	53
Wb.....	8	Register Indirect Addressing.....	54
Wd.....	8	Modes .....	54
Wm, Wn .....	8	Register Indirect Addressing and the Instruction Set.....	57
Wm*Wm.....	8	Registers	
Wm*Wn.....	8	CORCON (Core Control) .....	32, 35
Wn.....	8	CORCON (Core Control) Register.....	31, 33
Wnd.....	8	SR (CPU Status).....	26, 29
Wns.....	8	SR (Status) Register.....	27
WREG .....	8	<b>S</b>	
Ws.....	8	Scaling Data with the FBCL Instruction .....	88
Wx.....	8	Scaling Examples .....	89
Wxd.....	8	Shadow Registers.....	24
Wy.....	8	Automatic Usage .....	24
Wyd.....	8	Software Stack Frame Pointer .....	18, 72
Instruction Stalls.....	62	Example.....	73
DO/REPEAT Loops .....	63	Overflow.....	74
Exceptions .....	63	Underflow.....	75
Instructions that Change Program Flow.....	63	Software Stack Pointer .....	19, 70
PSV .....	63	Example.....	71
RAW Dependency Detection .....	62	Stack Pointer Limit Register (SPLIM) .....	19
Instruction Symbols.....	94	Status Register .....	21
Integer 16x16-bit Signed-Unsigned Short Literal Multiply .	328	DSP ALU Status Bits .....	23
Integer 16x16-bit Unsigned Short Literal Multiply		Loop Status Bits.....	21
with 16-bit Result .....	332	MCU ALU Status Bits .....	21
Integer and Fractional Data.....	81	Style and Symbol Conventions .....	7
Representation.....	82	Document Conventions .....	7
Interrupt Priority Level.....	23	<b>T</b>	
<b>M</b>		TBLPAG Register .....	19
MAC		<b>U</b>	
Operations .....	85	Using 10-bit Literal Operands .....	69
Prefetch Register Updates.....	85	10-bit Literal Coding.....	69
Prefetches.....	84	<b>W</b>	
Syntax.....	85	Word Move Operations.....	66
Write Back.....	85	Data Alignment in Memory .....	66
MAC Accumulator Write Back Selection.....	97	Working Register Array.....	18
MAC or MPY Source Operands (Different Working Register)97		<b>X</b>	
MAC or MPY Source Operands (Same Working Register).97		X Data Space Prefetch Destination .....	96
Manual Objective .....	6	X Data Space Prefetch Operation .....	96
Modulo and Bit-Reversed Addressing Modes.....	57	<b>Y</b>	
MOPAG Destination Selection .....	97	Y Data Space Prefetch Destination .....	97
Multi-Cycle Instructions .....	39	Y Data Space Prefetch Operation .....	96
Multi-Word Instructions .....	39	<b>Z</b>	
<b>N</b>		Z Status Bit .....	77
Normalizing the Accumulator with the FBCL Instruction .....	90		
<b>O</b>			
Offset Addressing Modes for Wd Destination Register			
(with Register Offset) .....	95		
Offset Addressing Modes for Ws Source Register			
(with Register Offset) .....	95		
<b>P</b>			
PIC® Microcontroller Compatibility .....	79		
PRODH			
PRODL Register Pair .....	79		
Program Addressing Modes.....	61		
Methods of Modifying Flow .....	61		

---

---

**NOTES:**



# MICROCHIP

## Worldwide Sales and Service

### AMERICAS

**Corporate Office**  
2355 West Chandler Blvd.  
Chandler, AZ 85224-6199  
Tel: 480-792-7200  
Fax: 480-792-7277  
Technical Support:  
<http://www.microchip.com/support>

Web Address:  
[www.microchip.com](http://www.microchip.com)

**Atlanta**  
Duluth, GA  
Tel: 678-957-9614  
Fax: 678-957-1455

**Boston**  
Westborough, MA  
Tel: 774-760-0087  
Fax: 774-760-0088

**Chicago**  
Itasca, IL  
Tel: 630-285-0071  
Fax: 630-285-0075

**Cleveland**  
Independence, OH  
Tel: 216-447-0464  
Fax: 216-447-0643

**Dallas**  
Addison, TX  
Tel: 972-818-7423  
Fax: 972-818-2924

**Detroit**  
Farmington Hills, MI  
Tel: 248-538-2250  
Fax: 248-538-2260

**Indianapolis**  
Noblesville, IN  
Tel: 317-773-8323  
Fax: 317-773-5453

**Los Angeles**  
Mission Viejo, CA  
Tel: 949-462-9523  
Fax: 949-462-9608

**Santa Clara**  
Santa Clara, CA  
Tel: 408-961-6444  
Fax: 408-961-6445

**Toronto**  
Mississauga, Ontario,  
Canada  
Tel: 905-673-0699  
Fax: 905-673-6509

### ASIA/PACIFIC

**Asia Pacific Office**  
Suites 3707-14, 37th Floor  
Tower 6, The Gateway  
Harbour City, Kowloon  
Hong Kong  
Tel: 852-2401-1200  
Fax: 852-2401-3431

**Australia - Sydney**  
Tel: 61-2-9868-6733  
Fax: 61-2-9868-6755

**China - Beijing**  
Tel: 86-10-8569-7000  
Fax: 86-10-8528-2104

**China - Chengdu**  
Tel: 86-28-8665-5511  
Fax: 86-28-8665-7889

**China - Chongqing**  
Tel: 86-23-8980-9588  
Fax: 86-23-8980-9500

**China - Hangzhou**  
Tel: 86-571-2819-3180  
Fax: 86-571-2819-3189

**China - Hong Kong SAR**  
Tel: 852-2401-1200  
Fax: 852-2401-3431

**China - Nanjing**  
Tel: 86-25-8473-2460  
Fax: 86-25-8473-2470

**China - Qingdao**  
Tel: 86-532-8502-7355  
Fax: 86-532-8502-7205

**China - Shanghai**  
Tel: 86-21-5407-5533  
Fax: 86-21-5407-5066

**China - Shenyang**  
Tel: 86-24-2334-2829  
Fax: 86-24-2334-2393

**China - Shenzhen**  
Tel: 86-755-8203-2660  
Fax: 86-755-8203-1760

**China - Wuhan**  
Tel: 86-27-5980-5300  
Fax: 86-27-5980-5118

**China - Xian**  
Tel: 86-29-8833-7252  
Fax: 86-29-8833-7256

**China - Xiamen**  
Tel: 86-592-2388138  
Fax: 86-592-2388130

**China - Zhuhai**  
Tel: 86-756-3210040  
Fax: 86-756-3210049

### ASIA/PACIFIC

**India - Bangalore**  
Tel: 91-80-3090-4444  
Fax: 91-80-3090-4123

**India - New Delhi**  
Tel: 91-11-4160-8631  
Fax: 91-11-4160-8632

**India - Pune**  
Tel: 91-20-2566-1512  
Fax: 91-20-2566-1513

**Japan - Yokohama**  
Tel: 81-45-471- 6166  
Fax: 81-45-471-6122

**Korea - Daegu**  
Tel: 82-53-744-4301  
Fax: 82-53-744-4302

**Korea - Seoul**  
Tel: 82-2-554-7200  
Fax: 82-2-558-5932 or  
82-2-558-5934

**Malaysia - Kuala Lumpur**  
Tel: 60-3-6201-9857  
Fax: 60-3-6201-9859

**Malaysia - Penang**  
Tel: 60-4-227-8870  
Fax: 60-4-227-4068

**Philippines - Manila**  
Tel: 63-2-634-9065  
Fax: 63-2-634-9069

**Singapore**  
Tel: 65-6334-8870  
Fax: 65-6334-8850

**Taiwan - Hsin Chu**  
Tel: 886-3-6578-300  
Fax: 886-3-6578-370

**Taiwan - Kaohsiung**  
Tel: 886-7-213-7830  
Fax: 886-7-330-9305

**Taiwan - Taipei**  
Tel: 886-2-2500-6610  
Fax: 886-2-2508-0102

**Thailand - Bangkok**  
Tel: 66-2-694-1351  
Fax: 66-2-694-1350

### EUROPE

**Austria - Wels**  
Tel: 43-7242-2244-39  
Fax: 43-7242-2244-393

**Denmark - Copenhagen**  
Tel: 45-4450-2828  
Fax: 45-4485-2829

**France - Paris**  
Tel: 33-1-69-53-63-20  
Fax: 33-1-69-30-90-79

**Germany - Munich**  
Tel: 49-89-627-144-0  
Fax: 49-89-627-144-44

**Italy - Milan**  
Tel: 39-0331-742611  
Fax: 39-0331-466781

**Netherlands - Drunen**  
Tel: 31-416-690399  
Fax: 31-416-690340

**Spain - Madrid**  
Tel: 34-91-708-08-90  
Fax: 34-91-708-08-91

**UK - Wokingham**  
Tel: 44-118-921-5869  
Fax: 44-118-921-5820

05/02/11