

TASKING SHEET

SOURCE NO: 049

DATE: \_\_\_\_\_

SUSPENSE: \_\_\_\_\_

1. PROJECT NUMBER: 92-88-0-F

2. METHOD/TECHNIQUE: Method of choice

3. BACKGROUND: The vessel known as  
[REDACTED] is suspected of being  
involved in narcotics trafficking

SG1A

SG1A

4. ESSENTIAL ELEMENTS OF INFORMATION  
Determine if the [REDACTED] is currently  
involved in narcotics trafficking. If so,  
o describe the activity  
o nature of the contraband  
o how, wrapped and stored  
o determine intermediate and  
final destinations of the narcotics

5. COMMENTS: Additional requirements  
may follow.

Coordinates: 926 880

SESSION INFORMATIONA. TARGET DATA:

Date: 28 Aug 92  
 Task/Target Number: 92-88-0-F  
 Session Number: 01

B. PERSONNEL DATA:

Source Number: 049  
 Monitor Number: NA

C. SESSION DATA:

Session Start Time: 1024  
 Session Stop Time: 1111  
 Method Used: CRV  
 Distractions/Hunches: interruptions from maids / pleasure craft.

D. EVALUATION DATA:

Viewer Confidence (H/M/L): M-H  
 Evaluator's Estimate: \_\_\_\_\_

E. SESSION SUMMARY:

(long, narrow) The target vessel is involved with trafficking. There is a compartment that runs along the inside of the port side hull of the vessel. Access is through a metal "box" with a corrugated or rippled top. This box appears to be solidly part of the vessel. It has been welded and painted shut to match the vessel. Its measurements are proportionately 1:1:2 (w:h:l). (see diagram) (pgs 2 & 3)

The nature of the contraband is light & powdery, ~~but~~ yet not like cocaine. It's different from coke (maybe crack) but it is almost like brown sugar. It is packed in long sections of PVC-like piping; however, I did get an overwhelming sense of, of all things, "coffee cans" i.e. metal cans or cylinders. (This didn't make sense because metal is too easily detected by a magnetometer). ~~a magnet for that~~

The term "snumbers" or hat is significant; a nickname maybe. An object that folds up or is collapsible is also significant.

The "piping" containing the material is stacked 3 or sometimes 4 sections together (see page 7).

There are bench-like seats along the port side of the cabin compartment. The seat part lifts up. A peculiar object is stored in there

This object is a <sup>2)</sup> "cylinder" <sup>3)</sup> 36" long.  
 It has a handle around it & dials or circles on its surface  
 (see diagram page 4). It has the appearance of brushed metal.  
 It is another inconsistency in that I feel that it can "sense"  
 as well as generate alternately.

Spherical objects (considered art work) are inside the cabin.  
 There is a rack for navigational charts/cylinders. The 4th  
 from the right is somehow significant. Is it a lighter color.  
 There is coiled tubing or hoses. There is a sense of extra  
 antennas ~~which~~ present which appear as "guide" lines or  
 non-functional wires.

This vessel has been remodeled. The walls &/or floors  
 are different somehow from the original configuration.

One individual has a pistol on board.  
 There are unsuspecting passengers on board - they are  
 not aware of presence of contraband or activity in  
 progress.

Destination ~~was to~~ contain too much AOL. The phonetic  
 "MAL..." or "MEL..." were perceived. AOL ~~was~~ derived  
 names included California, Los Angeles, Tahoe, Las Vegas,  
 Reno, Menlo Park & Palo Alto.

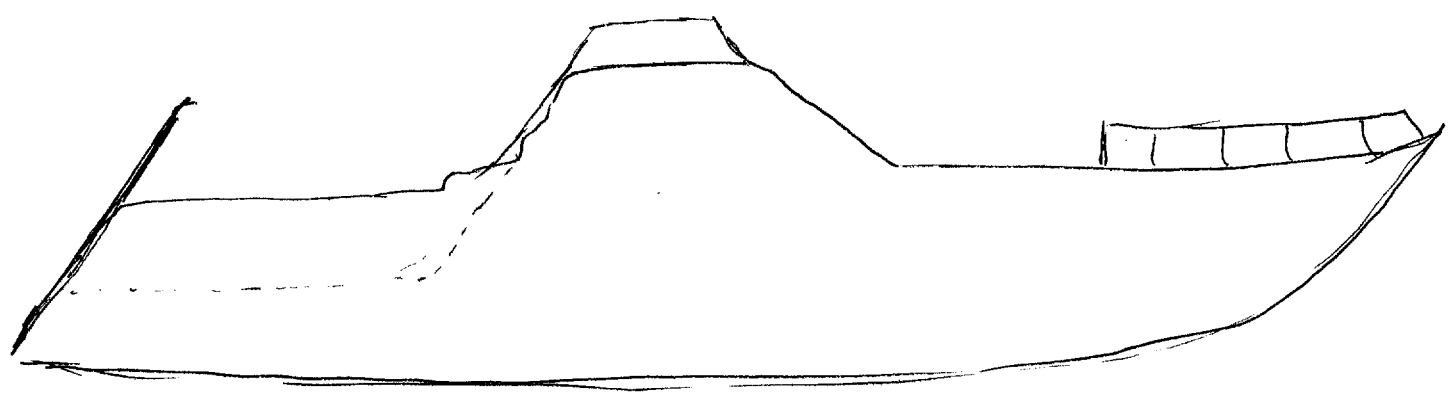
An individual who is a carpet or fabric  
 distributor is involved with their activity. I sense  
 that this may be the method by which the stuff  
 is distributed.

PI - interceptors from Manila  
AV - ~~some~~ pleasure craft

049  
28 Aug 92  
P: 92-88-0-F  
S: 01  
ST: 1024  
ET: 1111

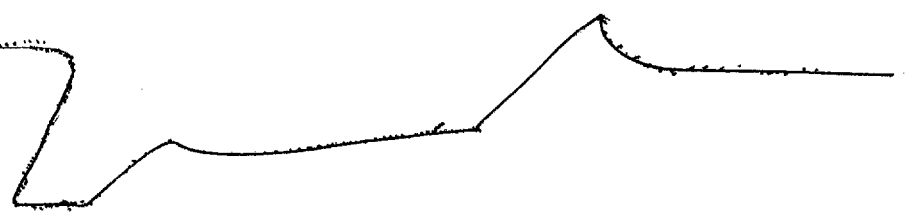
926 880 920 884e

MISS  
BK



AOC  
Steering wheel  
housing.

926 880 920 880



A - hand  
manmade  
B - structure  
A -

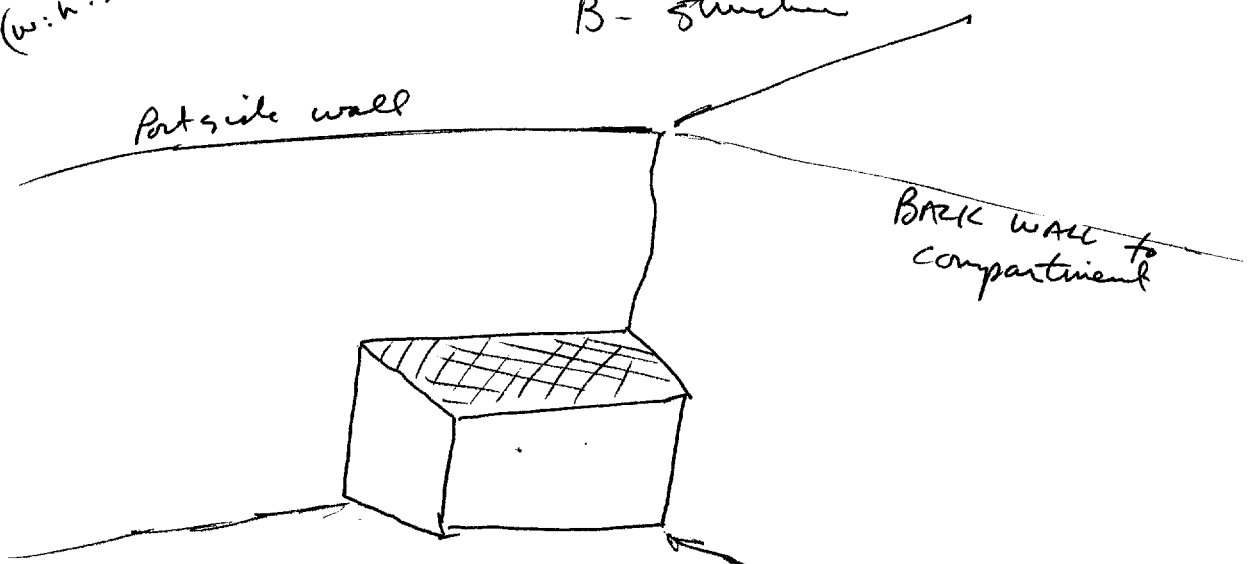


- something that is collapsible  
or can fold up

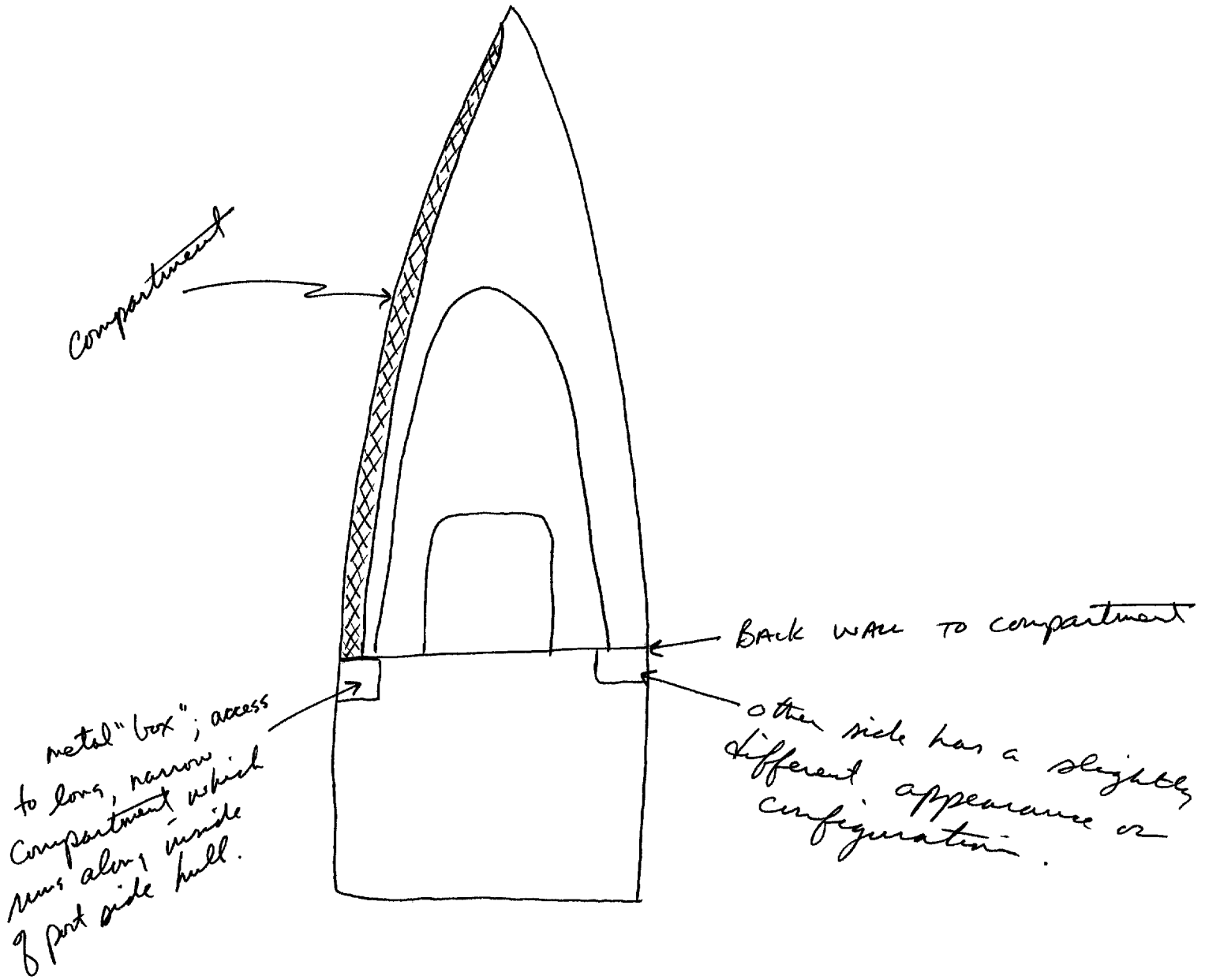
AOL  
Like an awning

Measurements are in  
proportion 1:1:2.  
(w:h:l).

A - hand  
manmade  
B - structure



- white, heavy metal box w/ corrugated or  
rippled top; appears to be welded part  
of the vessel. Welded and painted shut.

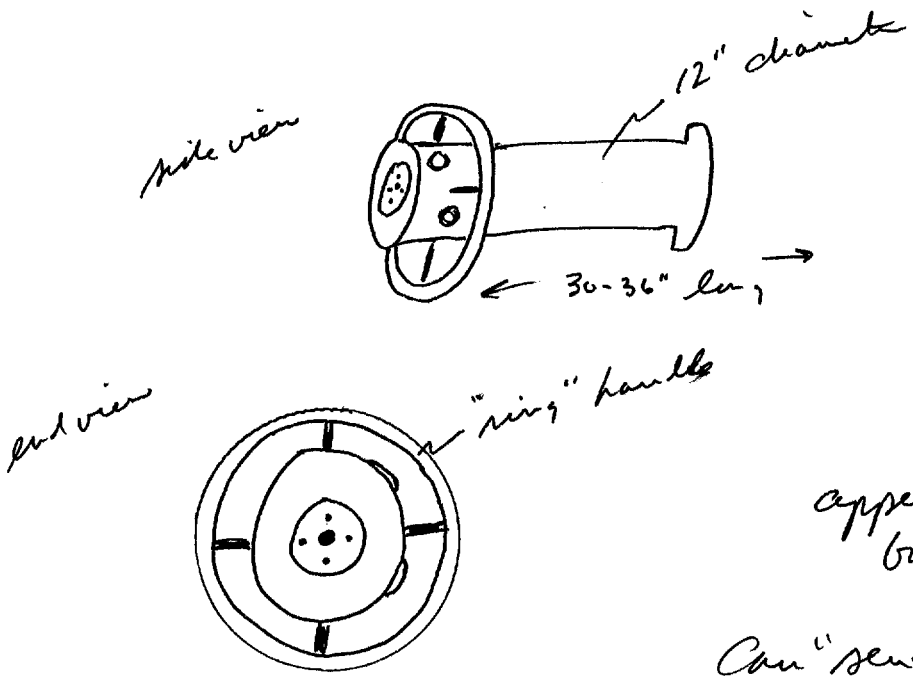


green  
square  
rounded corners

AOL  
Stinger missile  
crate or  
carrier,

Bench-like seats along part side of cabin compartment. Seat part lifts up. Something peculiar stored in there.

- round w/ ring-type handles
- dials or circles



appearance of brushed metal

Can "sense" and generate

A.I. BK  
That's weird;  
seems contradictory

MAL...  
or  
MEL....

- artwork in side
- spherical objects

- 5)
- Navigational charts
  - Rack for cylinders
  - 4th from right; some how significant.
  - Is a lighter color.

Coiled tubing, or ~~hose~~ hose  
Extra antennas; appear  
as "guide" lines or  
non-functional wires.

- vessel has been remodeled;  
walls or floors are  
different some how from  
the original.

pistol

unsuspecting passengers  
on board.



AI BK I L AOC A/S

SG1A

[is the [redacted] currently involved with narcotics trafficking?]

yes.

[what is nature of contraband?]

~~crack cocaine~~ no.

- light, powdery, yet not like cocaine.
- maybe crack cocaine; it's different.
- almost like brown sugar

← AI BK AOL Mexican Brown Heroin  
 Shit ... that blows it.

- somebodies or hat is significant
- a nickname maybe

[How is this stuff wrapped & stored?]

coffee cans?

no way

metal containers

Cans or cylinders

AI BK

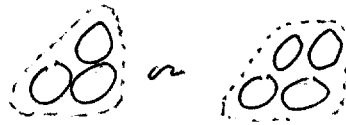
Doesn't make sense; metal is too easy to detect with a magnetometer (or magnet for that matter)

[How is the contraband wrapped & stored?]

PCV pipe

Long sections

3, sometimes 4, tubes



[Determine intermediates & find destination of narcotics]

ACL  
Palo Alto  
Menlo Park

CALIFORNIA

Too much ACL

ACL  
Los Angeles  
Tahoe  
Las Vegas  
Reno

Carpet or fabric distributor

Don't know!

ET IIII